

Clutch Lever Reinforcement Kit 12-862008-000

Packaging

- 1 ea. 12-862008-000 Clutch Lever Reinforcement Kit
 - 1 ea. 12-100497-000 Spacer
 - 1 ea. 11-434000-000 Bearing
 - 2 ea. 11-190008-000 Washer
 - 1 ea. 11-170007-001 Lock Nut 1/4-20
 - 1 ea. 11-005186-001 Screw 1/4-20 x 1-1/4"
 - 2 ea. 11-176000-001 Hex Nut 1/4-20
 - 2 ea. 11-081017-001 #10 x 5/8" Hex Head Self Tapping Screw
 - 2 ea. 11-081030-001 #10 x 3/8" Hex Head Self Tapping Screw
 - 1 ea. 12-100489-000 Clutch Lever Reinforcement
 - 1 ea. 12-900025-000 Instruction Sheet

Tools Required

- Drill gun with 1/4" & #19 Drill Bits
- 5/16" Hex Driver
- 3/16" Allen Wrench
- 7/16" Wrench
- 3/8" Wrench
- Pliers
- Flathead Screwdriver
- C clamp or vise grip pliers

Installation

1. Remove power to pinsetter.



WARNING! Remove power to the pinsetter by turning off the circuit breaker and unplugging the main power cord to the electrical box.

2. Manually cycle pinsetter to 45 degrees.

- Remove existing clutch bearing (P/N 11-435501-000) and pin (P/N 12-100318-002). Refer to *Figure 1*.

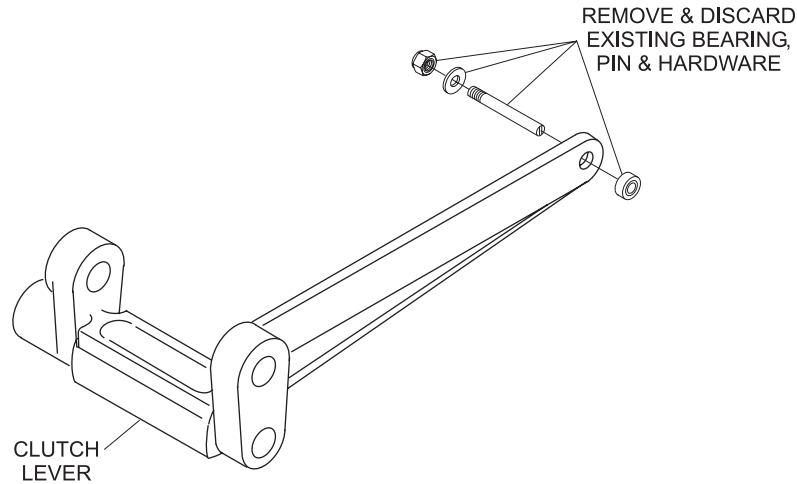


Figure 1



NOTE: If pinsetter is equipped with Deck Jam Protection Kit, remove the x-washer, spacer and the two mounting screws and nuts that secure the x-washer pin mounting attachment to the clutch arm.

- From the 7-pin side of the pinsetter, use a 1/4" drill bit to open the pin hole on the clutch lever (P/N 12-100486-000). Refer to *Figure 2*.
- Place the clutch lever reinforcement (P/N 12-100489-000) onto the clutch lever. Connect the reinforcement by placing washer (P/N 11-190008-000), bearing (P/N 11-434000-000), and spacer (P/N 12-11497-000) onto 1/4-20 x 1-1/4" screw (P/N 11-005186-001); then install the screw, spacer, bearing and washer through the reinforcement clutch lever and tighten the locknut (P/N 11-170007-001). This should hold the clutch lever reinforcement in place for steps 6 and 7. Refer to *Figure 2*.

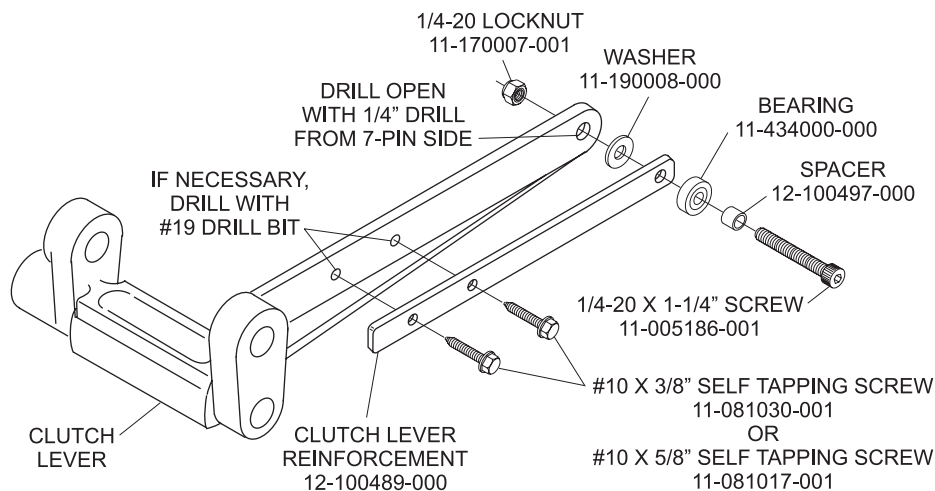


Figure 2

6. While holding the reinforcement firmly against the existing clutch lever, move the clutch lever up and down, checking the clearance between the screw (P/N 11-005186-001) and the Out Of Range Lever (P/N 12-400437-000).
7. Once the proper clearance is established between the reinforcement and actuator lever, tighten the screw into place using spacer (P/N 11-190008-000) and 1/4-20 lock nut (P/N 11-170007-001).
8. Using a c-clamp or vise grip pliers, clamp the reinforcement to the clutch lever.
9. If the clutch lever does not have two holes already aligned with the reinforcement, carefully drill two holes from the 7-pin side with a #19" drill bit using the reinforcement as a template. Refer to *Figure 2*.



***NOTE:** Some clutch levers may have been modified for the deck jam protection kit (P/N 12-860565-000), these existing holes should align with the reinforcement and fit the provided self tapping screws. The deck jam protection kit is no longer available.*

10. Secure the reinforcement to the clutch lever with the provided self tapping screws. Two sets of screws have been provided. If pinsetter does not have the deck jam protection kit, use self tapping #10 x 3/8" screws (P/N 11-081030-001). If pinsetter does have the deck jam protection kit, use self tapping #10 x 5/8" screws (P/N 11-081017-001).
11. The Clutch Lever Reinforcement is now installed.



***NOTE:** For best reinforcement support, verify hardware is secure during annual maintenance inspections. The vibrations of the pinsetter can cause the self tapping screws to loosen over time.*

Emergency Installation

The clutch lever reinforcement can be installed as an emergency repair if the clutch lever breaks during operations. Follow the procedure above through step 7. Then determine the best location to secure the reinforcement to the broken arm. If necessary, drill an additional hole into the clutch lever reinforcement and clutch lever assembly to provide a secure installation. Secure with the provided self tapping screws.