

**GS-X Tower Down  
Table Safety Support Pin Package  
47-860011-000**

**Packaging**

- 1 ea. 47-860011-000 Package
- 1 ea. 47-226204-000 Table Safety Support Pin Assembly (includes #10-24 Screw 11-061206-000)
- 1 ea. 47-902405-000 Instruction Sheet

**Tools Required**

- Drill
- 10 mm Drill Bit
- 4 mm Drill Bit
- No. 2 Robertson Driver Bit
- Safety Glasses
- Shop Towels

**Installation**

1. Bring setting table to home position and remove power.



**WARNING!** Remove power to the pinsetter by turning off the main circuit breaker and unplugging the main power cord to the electrical box.

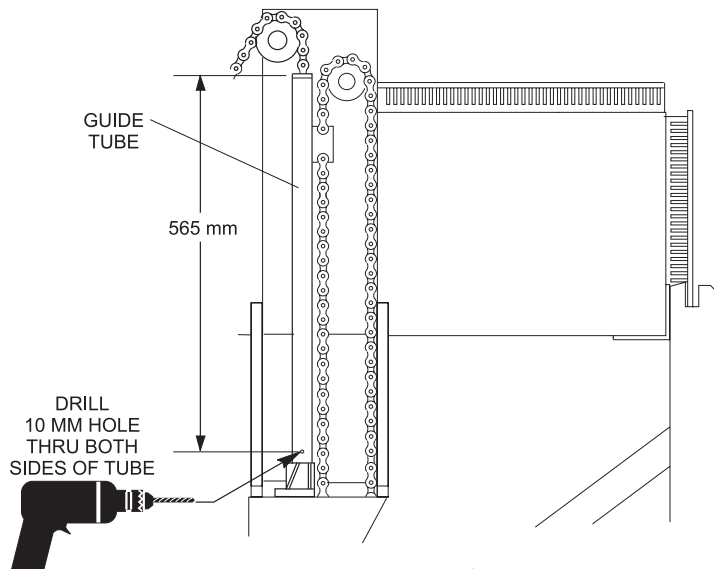
2. From the top of the guide tube, measure down 565 mm. At this point, modify the guide tube on the return side of the pinsetter by drilling a 10mm hole through the center of both sides of the tube. Refer to *Figure 1*.



**WARNING!** Use safety glasses during drilling procedure.



**NOTE:** Table Safety Support Pin installed on the **BALL RETURN SIDE**.



*Figure 1*

- File off the burr from the back side of the tube. Use a towel or vacuum to catch and remove shavings.
- On the bearing block identify the measurements indicated in *Figure 2*. Refer to *Figure 2*.

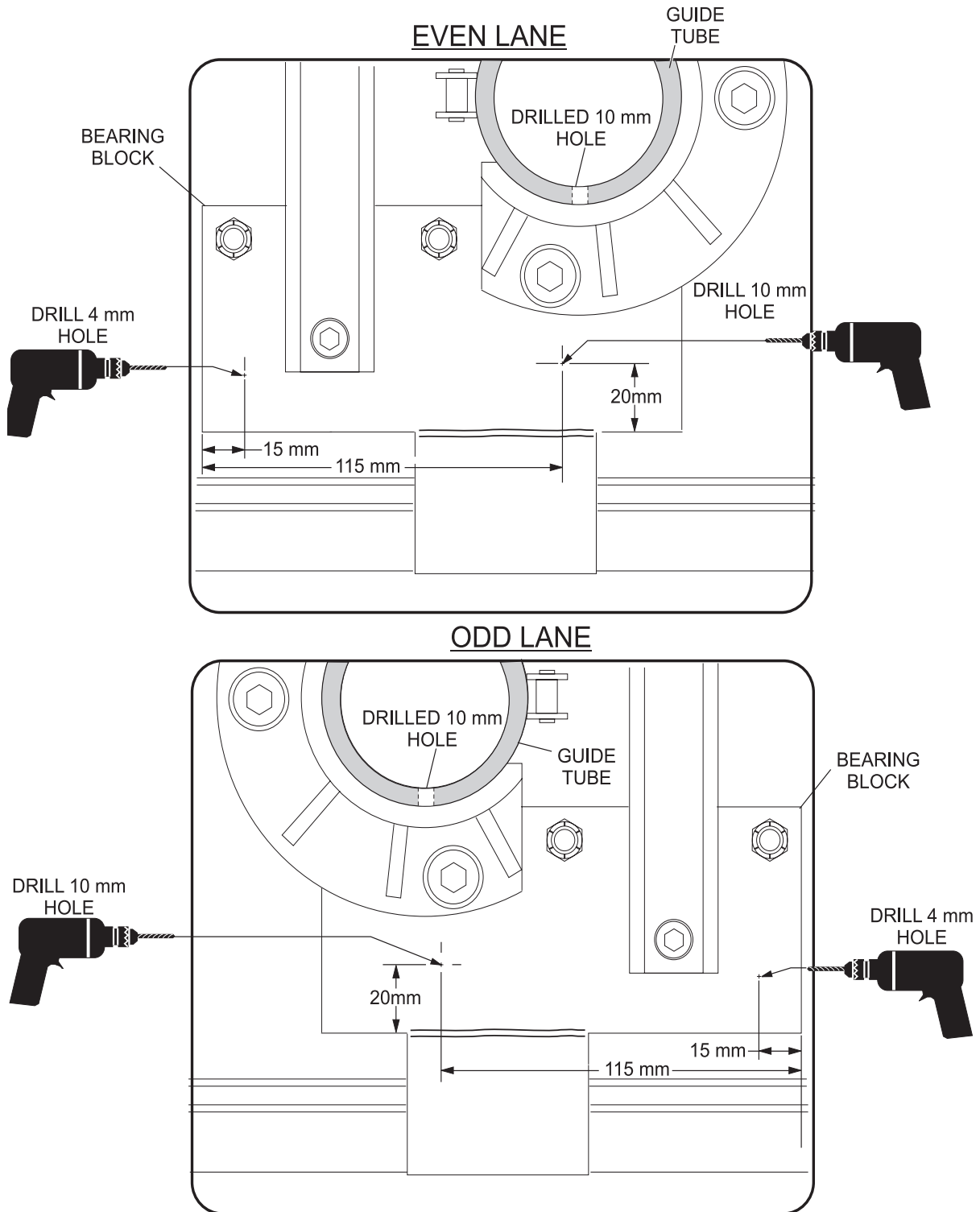
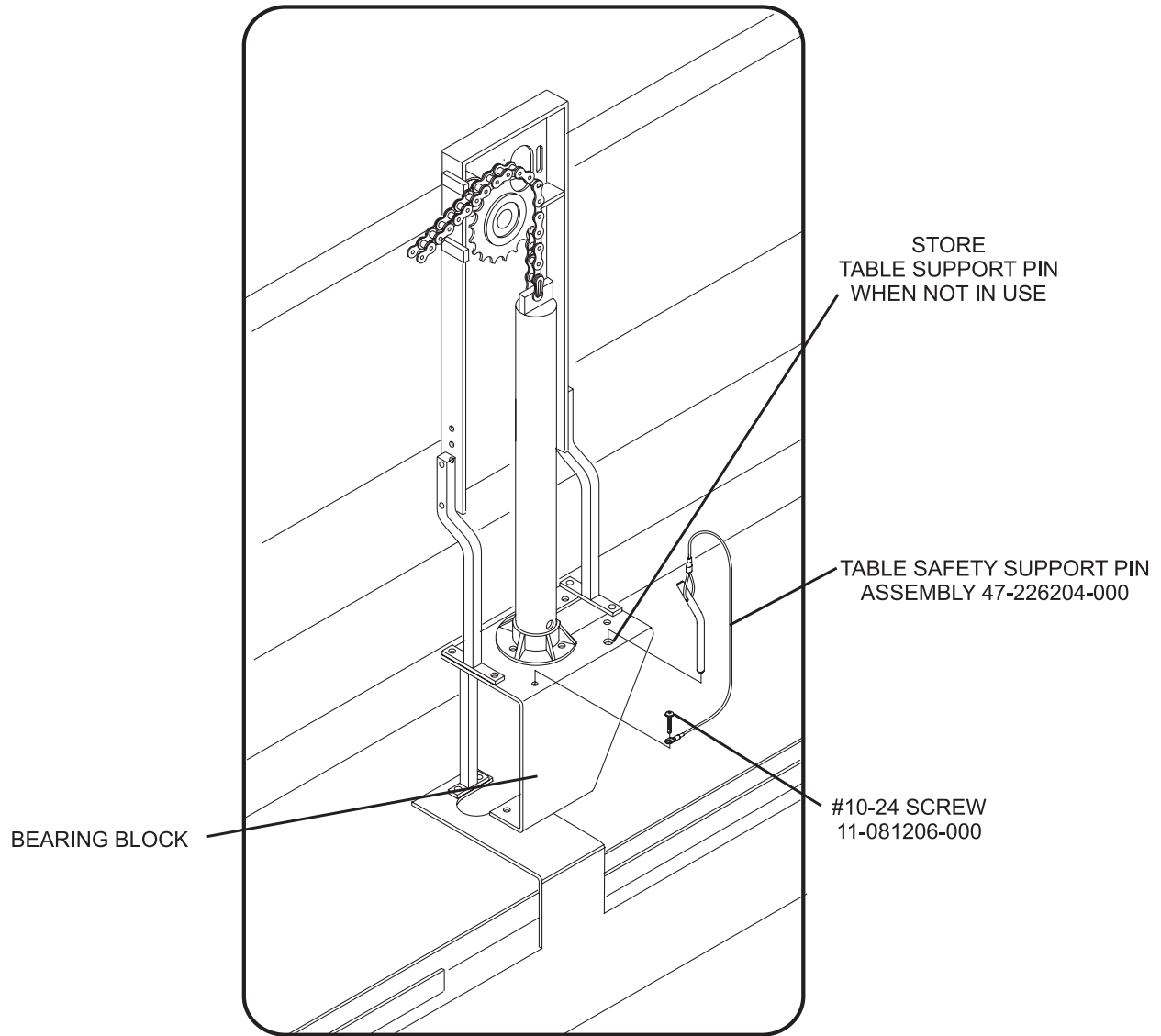


Figure 2

- Drill the 4 mm (5/32") and the 10 mm (13/32") holes where indicated.

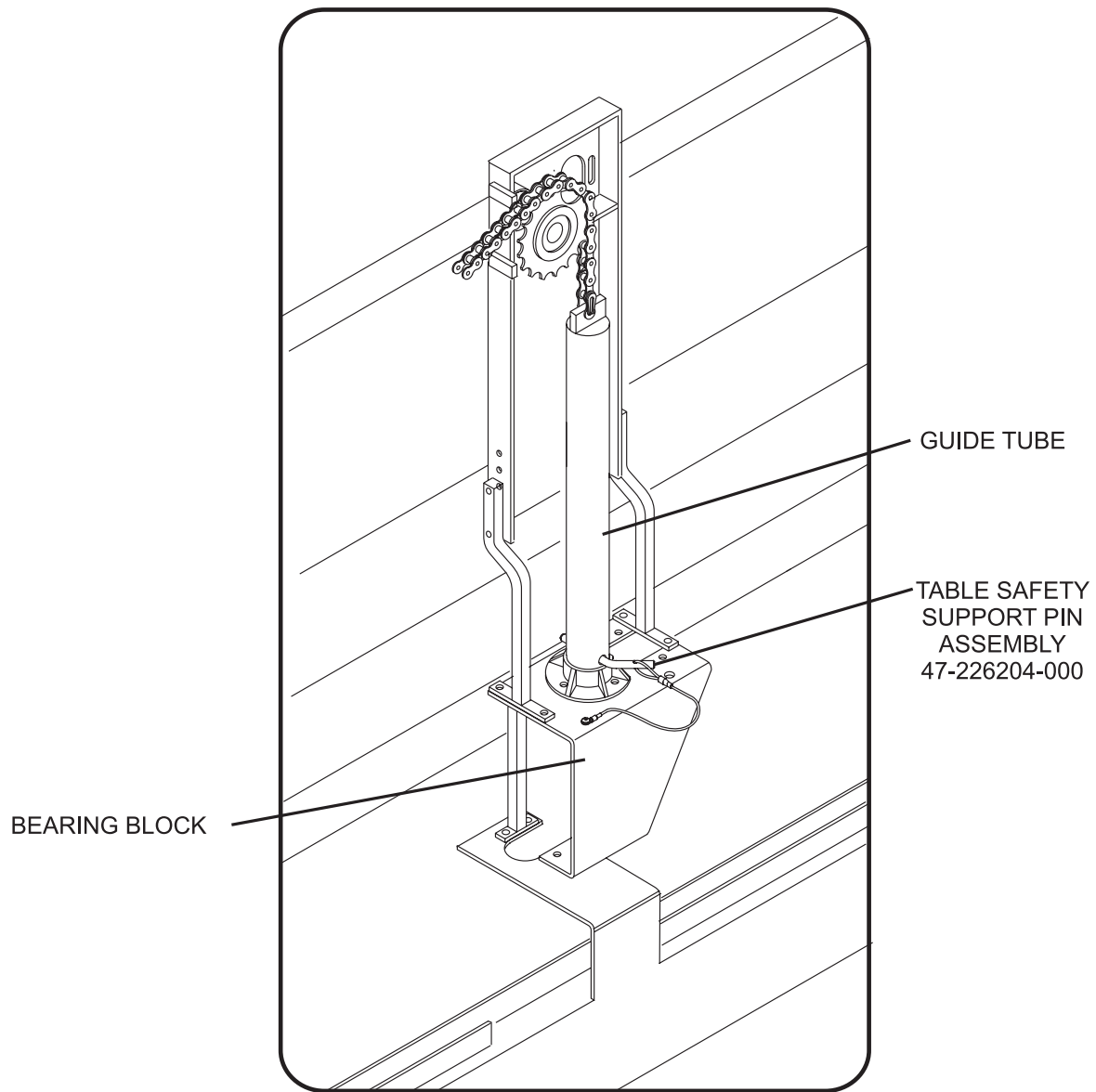
6. Loop the wire onto the #10-24 screw, and thread into the 4 mm hole using the No. 2 Robertson driver bit. Refer to *Figure 3*.



*Figure 3*

7. The table safety support pin has been installed. When not in use, keep the safety pin housed in the bearing block.

- When conducting maintenance with the table in home position, place the table safety support pin in the guide tube to prevent the table from unexpectedly lowering. Refer to *Figure 4*.



*Figure 4*

**i** **NOTE:** *If the pin is left in the guide tube after maintenance is completed and the machine is cycled, the pinsetter will simply time out, there will be no damage to the table or guide tube.*