

## Pin Feed Extender Kit

### Packaging

1 each	47-862507-000	Package - Pin Feed Extender Kit
4 each	47-023660-004	Ball Cushion Cap
8 each	11-051010-001	M8 x 20mm Hex Head Cap Screw
12 each	11-051770-001	M8 Lockwasher
4 each	47-026025-000	Pin Blocking Plate
4 each	47-026026-000	Pin Feed Extension Bracket
4 each	47-014009-004	Spacer
4 each	11-052031-001	9mm x 40mm x 2.5mm Flat Washer
4 each	11-052003-001	8.4mm x 16mm x 2mm Flat Washer
4 each	11-051097-001	M8 x 120mm Hex Head Cap Screw
1 each	47-862508-000	Pin Deflector Drill Fixture
1 each	47-026036-000	Pin Deflector Drill Fixture
1 each	47-902102-000	Installation Instructions - Pin Feed Extender Kit

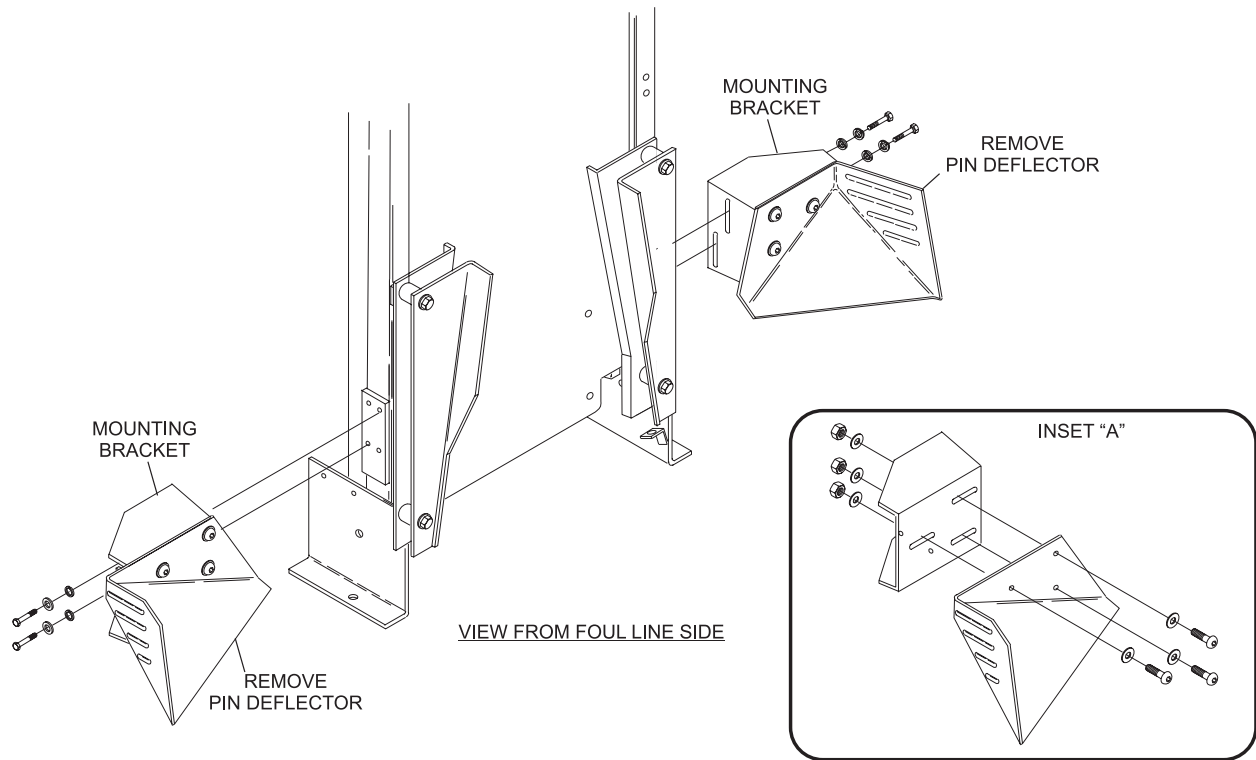
### Installation



**WARNING!** *Disconnect power to pinsetter before performing any of these instructions.*

1. Prior to removal of pin deflector mounting brackets and installation of this modification, check to make sure the ball cushion frame is centered (as much as possible) between the ball accelerator ball box and the division kickback.
2. After the ball cushion frame is adjusted, make sure there is no interference between the ball door protector plates and the ball cushion boards.

3. Remove pin deflectors from elevator. Refer to *Figure 1*.
4. After the mounting brackets and the pin feed deflectors are removed from the elevator, remove the 3 Allen head screws that secure the pin feed deflectors to the mounting brackets. Refer to *Figure 1 - Inset "A"*.

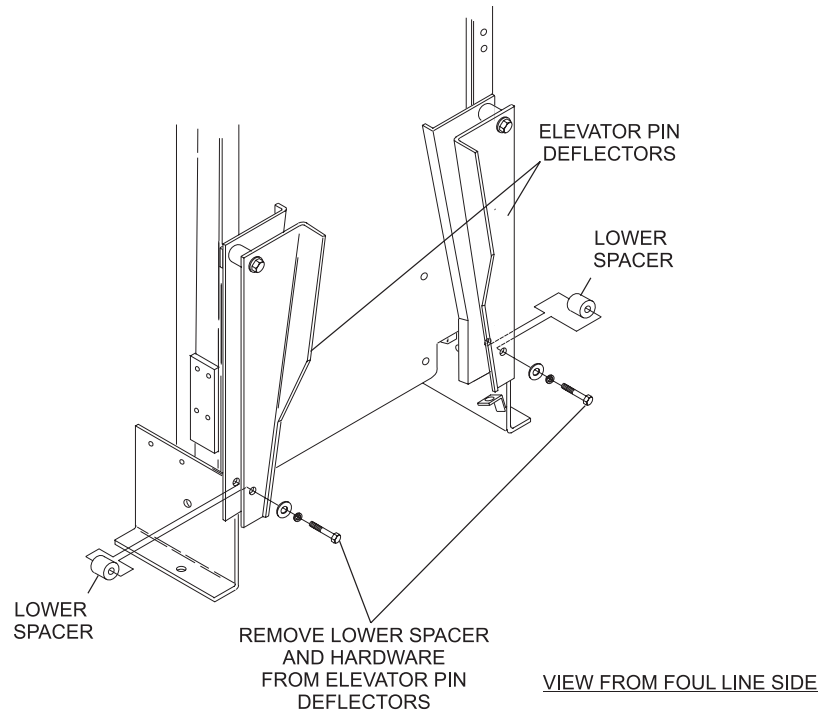


*Figure 1*



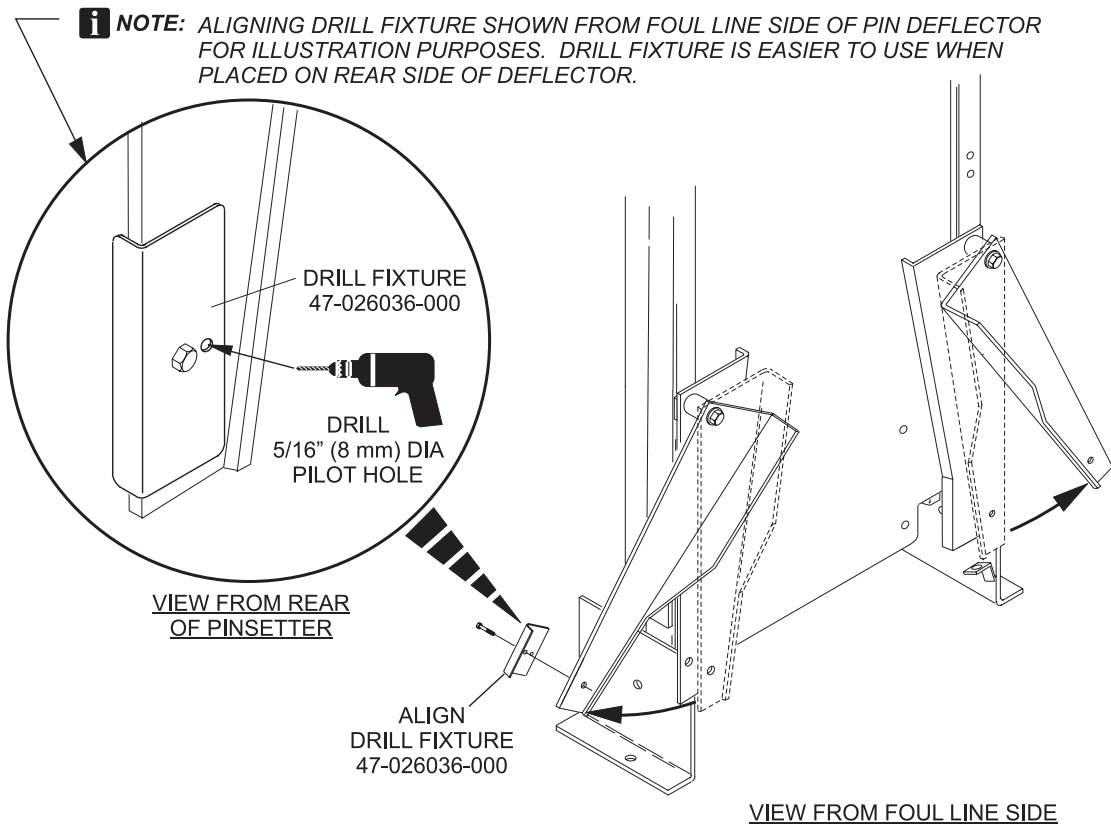
**NOTE:** Retain hardware for reuse. Use screws and flat washers in step 9 and the lockwashers in step 11.

- Remove the lower spacer and hardware from the elevator pin deflectors. Refer to *Figure 2*.



*Figure 2.*

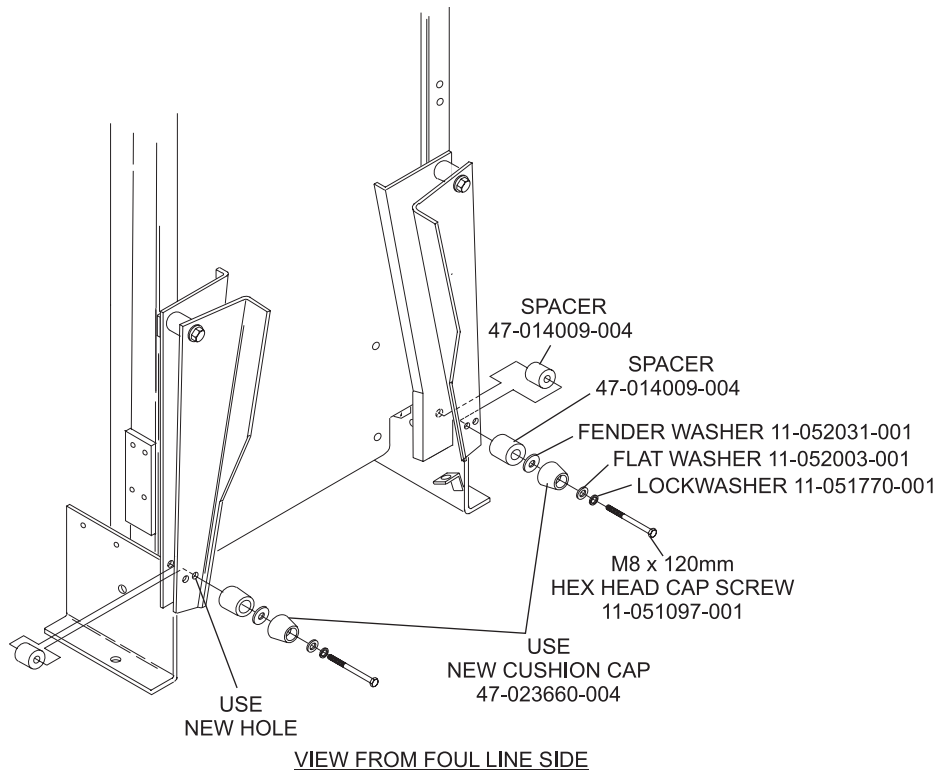
- Pivot elevator pin deflectors out to the side of the elevator and align drill fixture as shown. Refer to *Figure 3*.



*Figure 3*

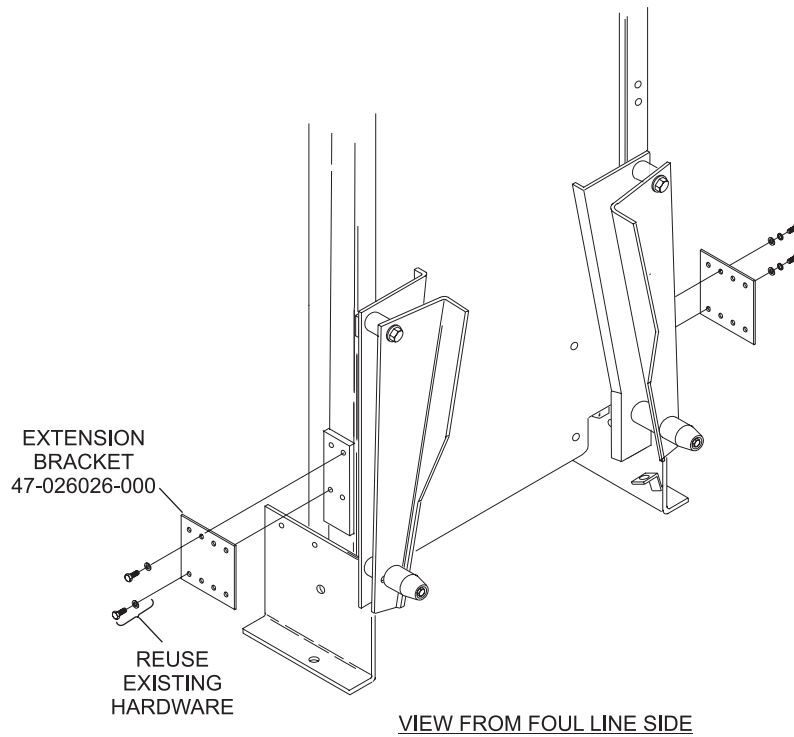
- Drill a 5/16" (8 mm) pilot hole, using drill fixture. It may be necessary to redrill hole to 3/8" (10 mm).

8. Reattach the elevator pin deflector using the new hole. Install with the screw, lockwasher, flat washers, cushion cap, fender washer and two spacers. Refer to *Figure 4*.



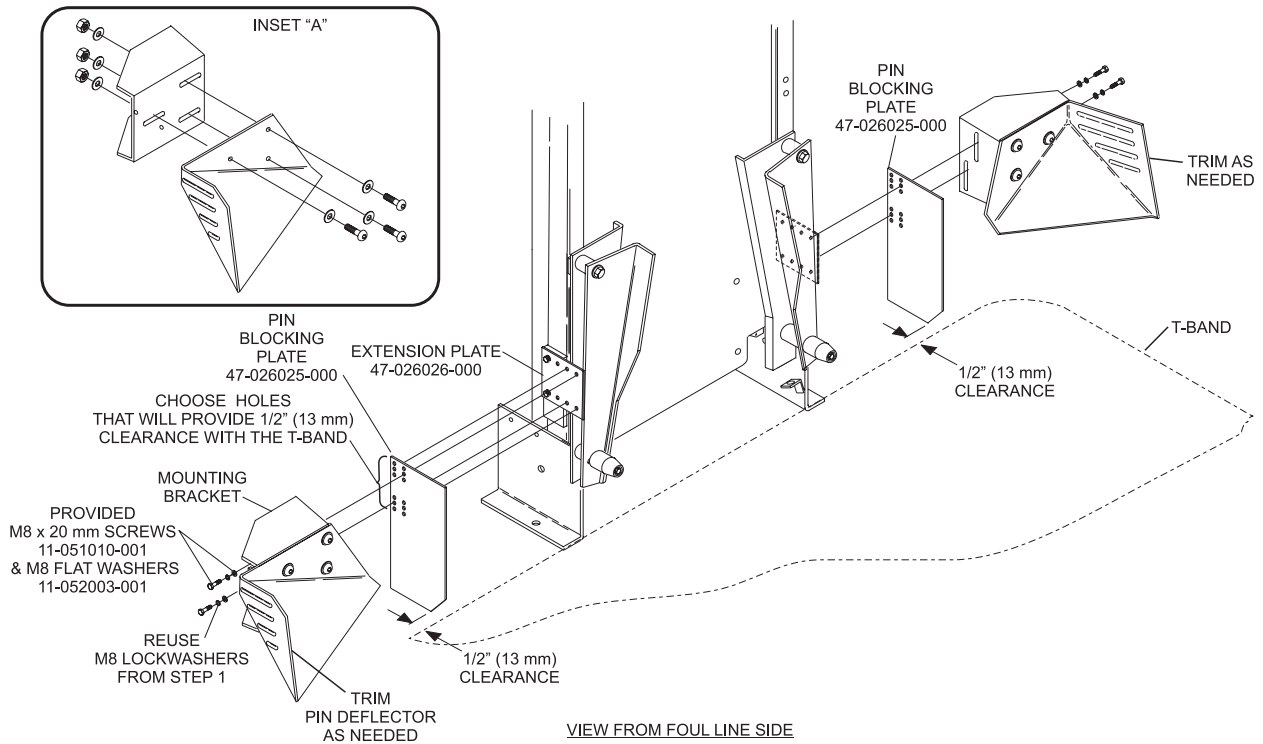
*Figure 4*

9. Attach the extension brackets to the elevator using the existing M8 x 16 screws and flat washers. Refer to *Figure 5*.



*Figure 5*

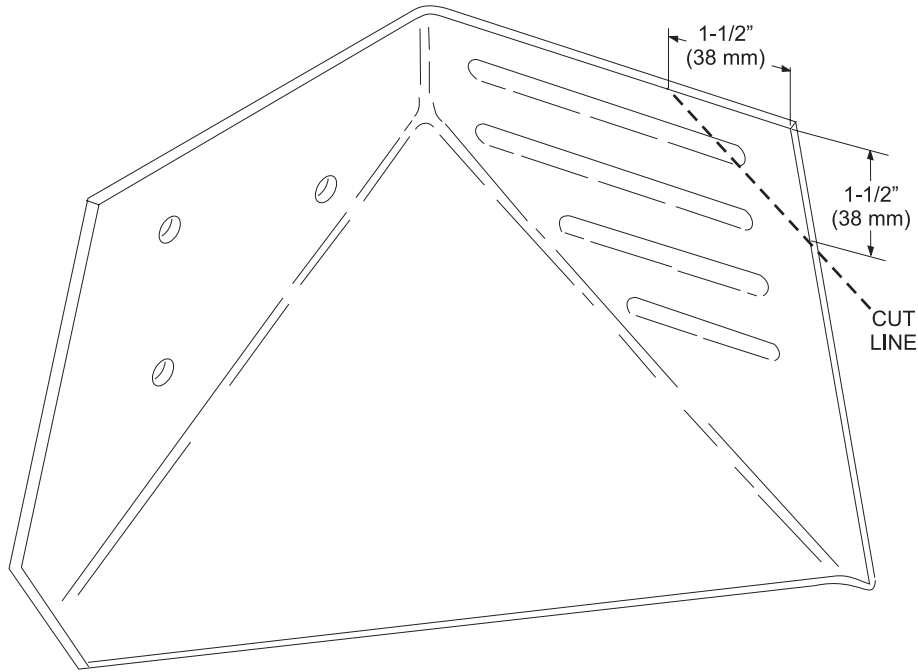
- Fit the pin blocking plate to the extension brackets to determine which set of holes will be used for mounting. Choose a set of holes that will provide 1/2" (13 mm) of clearance with the T-band. Refer to *Figure 6*.



*Figure 6*

- Mount the pin deflector to the extension plate through the appropriate holes of the pin blocking plate using M8 x 20 screws (provided), M8 flat washers (provided) and lockwashers (retained in step 4).

12. Before reinstalling the pin deflectors to the mounting brackets, the pin deflector on the ball door side of the elevator must be cut to provide clearance for the ball cushion stop bracket. Measure 1-1/2" (38 mm) back toward the elevator and 1-1/2" (38 mm) down toward the transport band and mark both points. Using a straight edge draw a cut line from one mark to the other. This should provide proper clearance between the pin feed deflector and the cushion bracket. Refer to *Figure 7*.



*Figure 7*

13. After the ball door side pin deflector has been cut, reinstall both pin deflectors to the brackets using the hardware that was removed in step 4 and adjust both pin feed deflectors to provide 1/4" (6 mm) of clearance between the bottom of the deflectors and the transport band.

**i** **IMPORTANT!** Now that the mounting brackets and pin deflectors are moved forward, adjust the overflow socks slightly toward the elevator. Verify that the socks move away from the brackets and pin deflectors as pins pass through the socks. The socks should flip slightly toward the front of the pinsetter.