

Service Manual

Brunswick Striking Line Furniture

April 2006/54-900131-000

Brunswick[®] 

CUSTOMER SERVICE

A tradition in excellence.

Brunswick Striking Line Furniture Service Manual

© April 2006 by the Brunswick Bowling and Billiards Corporation. All rights reserved.

Striking Line is a registered trademark of the Brunswick Bowling and Billiards Corporation.

Reorder Part No. 54-900131-000

Notice: If available, updates to this manual can be found on-line at www.brunswickbowling.com.

Confidential proprietary information. All information contained in this document is subject to change without notice.

Brunswick Bowling & Billiards Corporation
525 West Laketon Avenue
P.O. Box 329
Muskegon, MI 49443-0329
U.S.A.

231.725.3300

SAFETY

Throughout this publication, “Warnings”, and “Cautions” (accompanied by one of the International HAZARD Symbols) are used to alert the mechanic to special instructions concerning a particular service or operation that may be hazardous if performed incorrectly or carelessly. They are defined below. **OBSERVE AND READ THEM CAREFULLY!**

These “Safety Alerts” alone cannot eliminate the hazards that they signal. Strict compliance to these special instructions when performing the service, plus training and “Common Sense” operation are major accident prevention measures.



NOTE or IMPORTANT!:

Will designate significant informational notes.



WARNING!

Will designate a mechanical or nonelectrical alert which could potentially cause personal injury or death.



WARNING!

Will designate electrical alerts which could potentially cause personal injury or death.



CAUTION!

Will designate an alert which could potentially cause product damage.



Will designate grounding alerts.

SAFETY NOTICE TO USERS OF THIS MANUAL

This manual has been written and published by the Service Department of Brunswick Bowling and Billiards to aid the reader when servicing or installing the products described.

It is assumed that these personnel are familiar with, and have been trained in, the servicing or installation procedures of these products, which includes the use of common mechanic's hand tools and any special Brunswick or recommended tools from other suppliers.

We could not possibly know of and advise the reader of all conceivable procedures by which a service might be performed and of the possible hazards and/or results of each method. We have not attempted any such wide evaluation. Therefore, anyone who uses a service procedure and/or tool, which is not recommended by Brunswick, must first completely satisfy himself that neither his nor the products safety will be endangered by the service procedure selected.

All information, illustrations and specifications contained in this manual are based on the latest product information available at the time of publication.

It should be kept in mind, while working on the product, that the electrical system is capable of violent and damaging short circuits or severe electrical shocks. When performing any work where electrical terminals could possibly be grounded or touched by the mechanic, the power to the product should be disconnected prior to servicing and remain disconnected until servicing is complete.

Contents

| | |
|---|----|
| Cleaning Supplies | 6 |
| Upholstery Cleaning Instructions | 10 |
| Spot Cleaning | 10 |
| Weekly Cleaning | 11 |
| Restorative Cleaning | 16 |
| Leather and Vinyl Cleaning Instructions | 17 |
| Spot Cleaning | 17 |
| Weekly Cleaning | 17 |
| Laminate Cleaning Instructions | 18 |
| Cleaning and Restorer Supplies | 18 |
| Cleaning Supplies | 18 |
| Restorer Supplies | 18 |
| Spot Cleaning | 18 |
| Weekly Cleaning | 18 |
| Cleaning Chart | 19 |
| Upholstery Cleaner Bowling Centers Sales Order Form | 21 |

Cleaning Supplies

*Item not contained in Cleaning Kit

- Cleaning Kit (Refer to *Figure 1*)

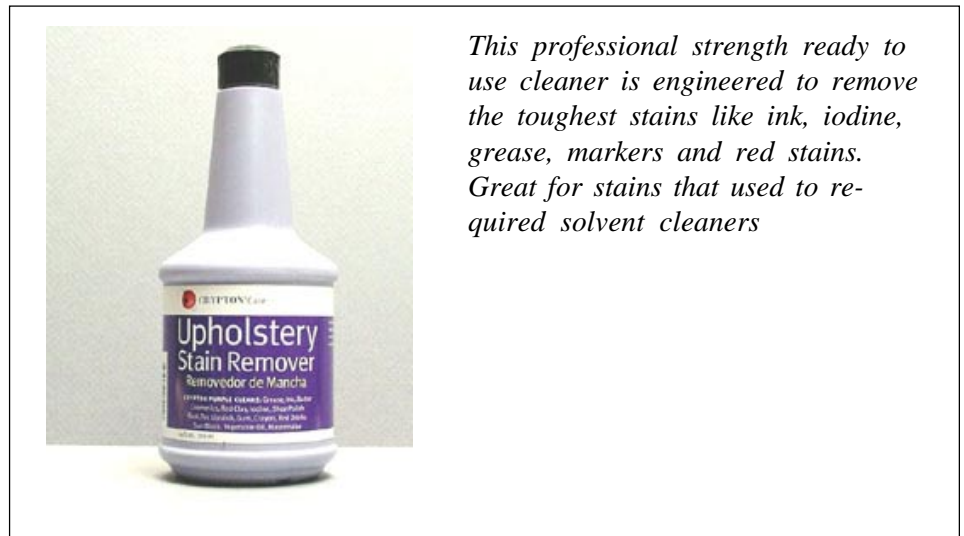


Cleaning Kit designed exclusively for Brunswicks's customers this kit includes:

- Purple - 1/24 oz. bottle*
- Gold - 1/24 oz. bottle*
- Green (fabric fresher) - 1/24 oz. bottle*
- Extraction Concentrate - 1/24 oz. bottle*
- Leather/Vinyl Cleaner - 1/24 oz. bottle*
- Leather/Vinyl Restorer - 1/24 oz. bottle*
- Upholstery Brush - 1*
- Trigger Sprayers - 6*
- Reorder Instructions - 1*
- Stain chart - 1*
- Product Guide - 1*

Figure 1. Cleaning Kit

- Ink, Iodine, and Grease Stain Remover - Purple Bottle (Refer to *Figure 2*)



This professional strength ready to use cleaner is engineered to remove the toughest stains like ink, iodine, grease, markers and red stains. Great for stains that used to require solvent cleaners

Figure 2. Purple Bottle - 24 ounce bottle

- Food, Beverage, and Protein Stain Remover - Gold Bottle (Refer to *Figure 3*)

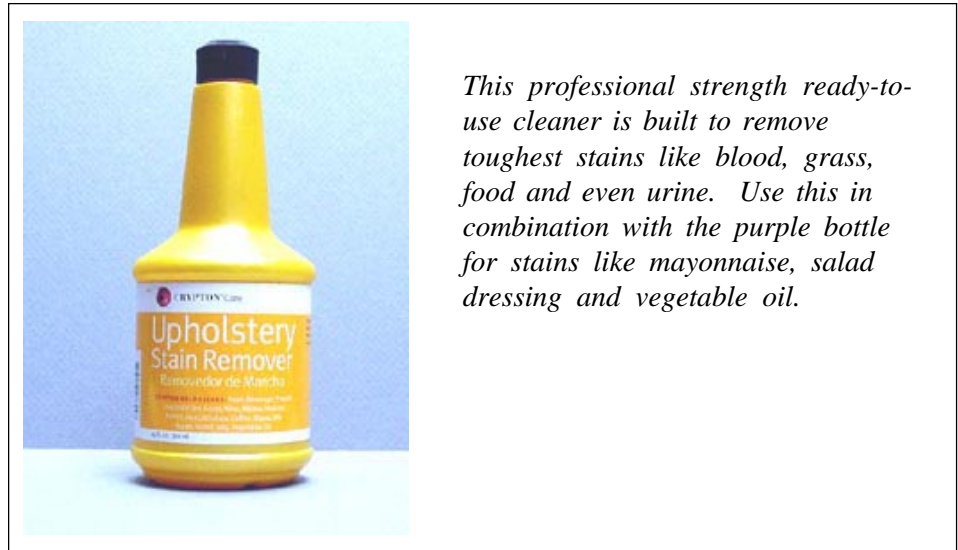


Figure 3. Gold Bottle - 24 ounce bottle

- Fabric Freshener and Deodorizer - Green Label (Refer to *Figure 4*)

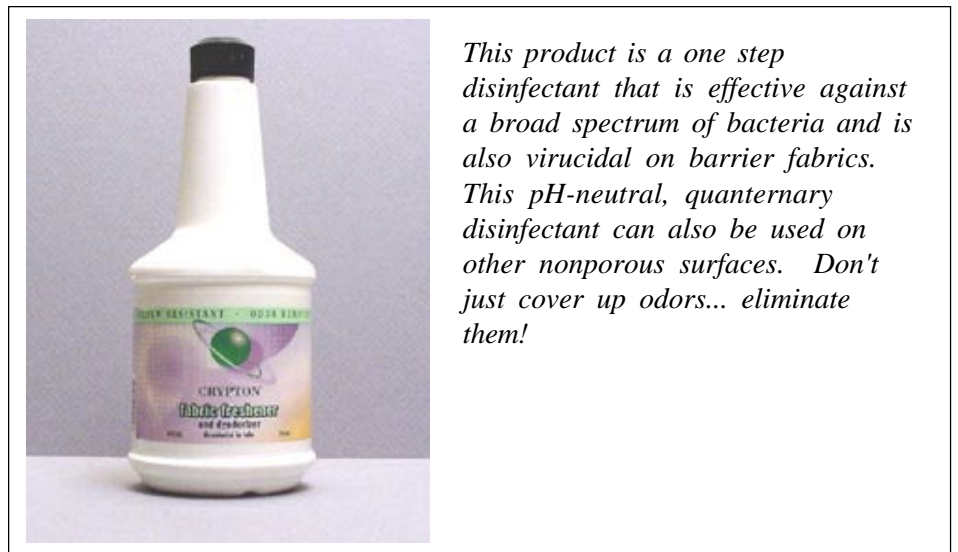


Figure 4. Fabric Freshener and Deodorizer - 24 ounce bottle

- Leather/Vinyl Cleaner (Refer to *Figure 5*)

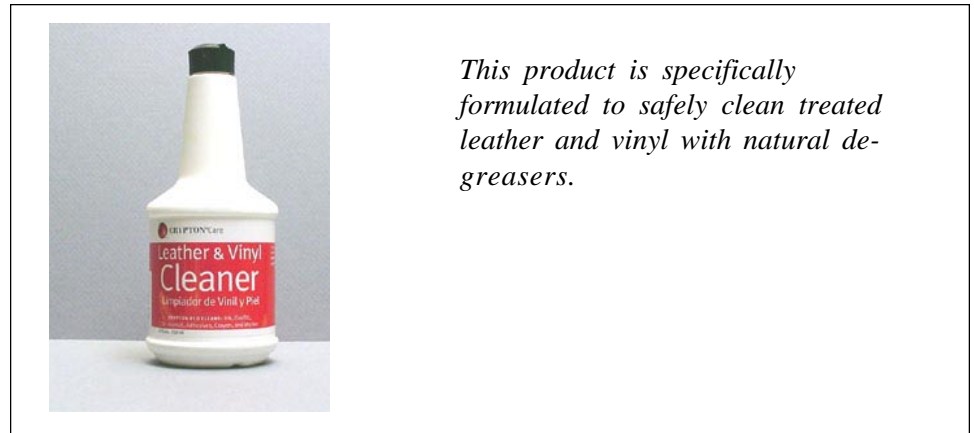


Figure 5. Leather/Vinyl Cleaner - 24 ounce

- Leather/Vinyl Restorer (Refer to *Figure 6*)

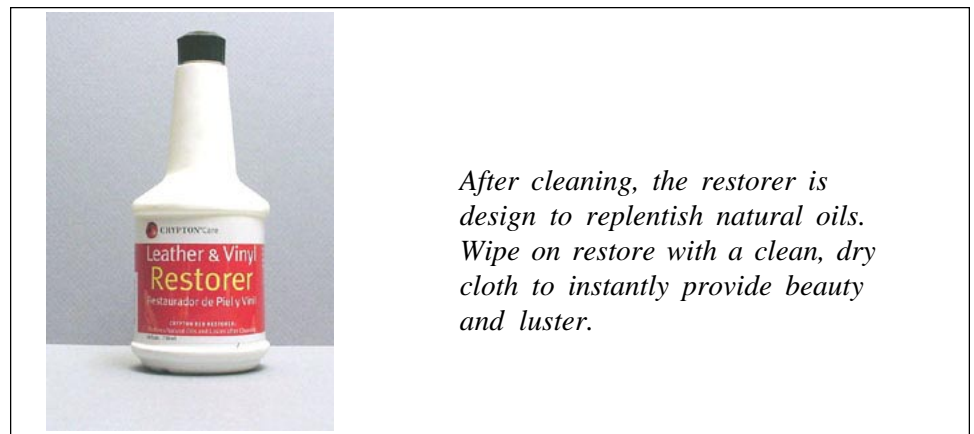


Figure 6. Leather/Vinyl Restorer - 24 ounce

- Concentrated Extraction Cleaner (Refer to *Figure 7*)

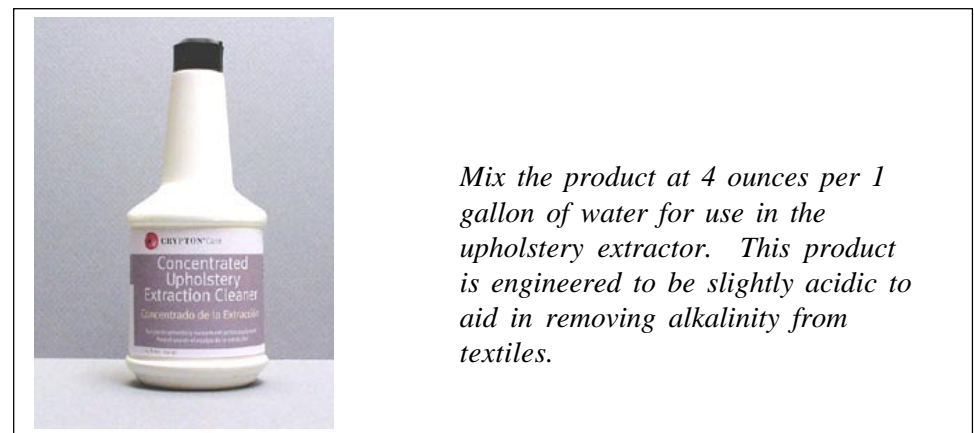


Figure 7. Concentrated Extraction Cleaner - 24 ounce

- Upholstery Brush (Refer to *Figure 8*)



Figure 8. Upholstery Brush

- *Ruby Upholstery Extraction Machine (Refer to *Figure 9*)

i **NOTE:**

For maintenance and care refer to the "Owners Manual and parts list" included with the Ruby Upholstery Extractor Machine

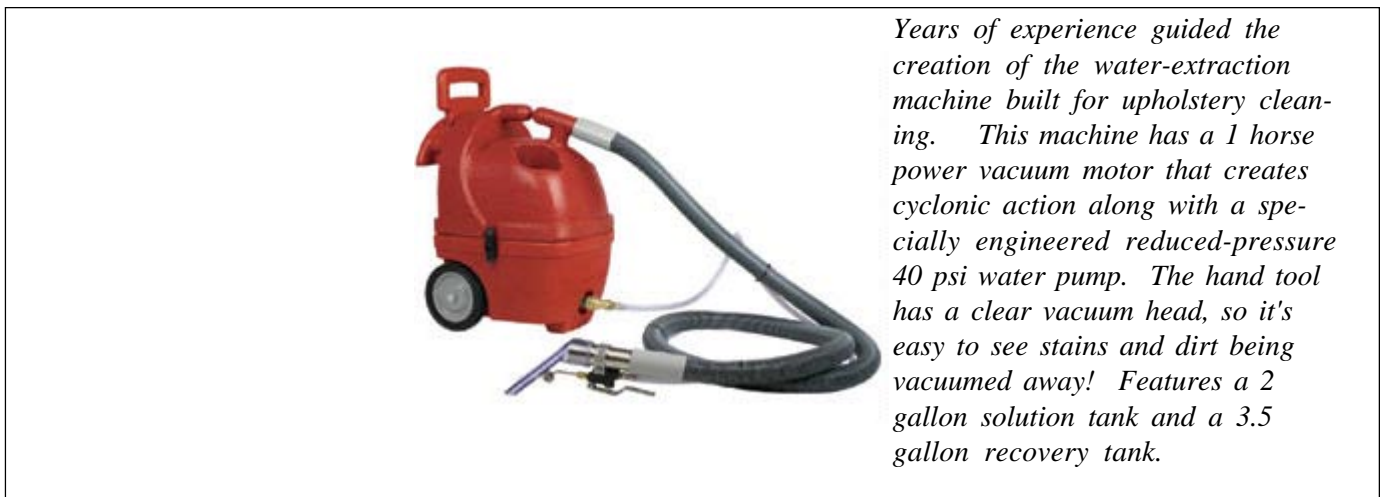


Figure 9. Upholstery Extraction Machine

- Reordering Form for Cleaning Supplies (Refer to *last page of manual.*)
If any of the above cleaning supplies need to be ordered fill out this form before calling or faxing your order in.

Upholstery Cleaning Instructions

Any fabric textile must be cleaned on a regular basis. Be sure to have a regular vacuuming program to control dust and soils from collecting on the fabric surface. Fabrics are engineered to provide extreme stain, moisture and microbial resistance, strength and breathable comfort.

Spot Cleaning

Most liquid spills can be simply blotted up with a clean, white dry cloth towel. In the case of a dried stain, remove any residue with the scraping end of the upholstery brush provided with the Cleaning Kit (refer to *Figure 1*). Follow these simple instructions:

1. Remove any excess stain with a clean, white, dry towel or scrape dry residue from the outside toward the center. Refer to *Figure 10*.

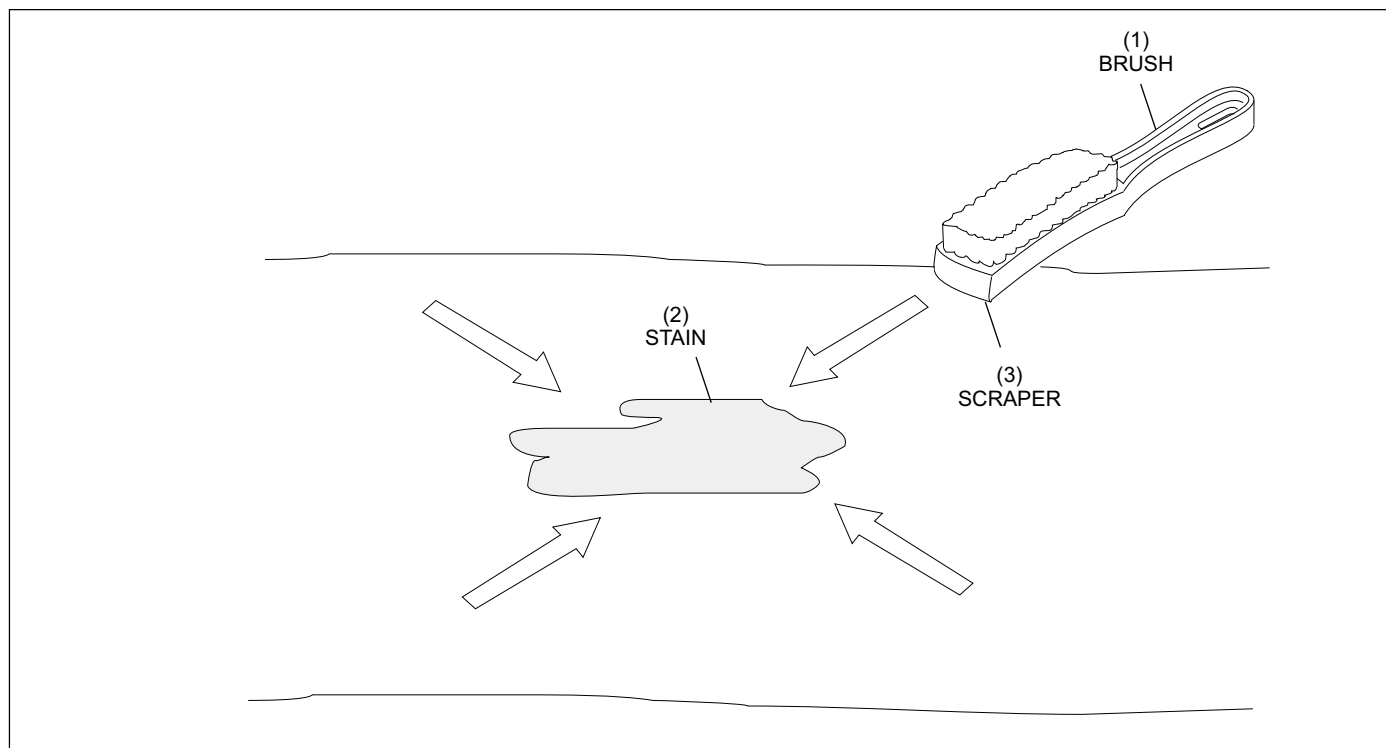


Figure 10. Scrape Stain

(1) BRUSH

(2) STAIN

(3) SCRAPER

2. Review the Cleaning Chart in the “Cleaning Chart” section of this manual to decide which stain remover is appropriate for the stain. Refer to *Figure 18*.
3. Spray the stain with the stain remover.

4. Brush the stain from outside toward the center. Refer to *Figure 11*.

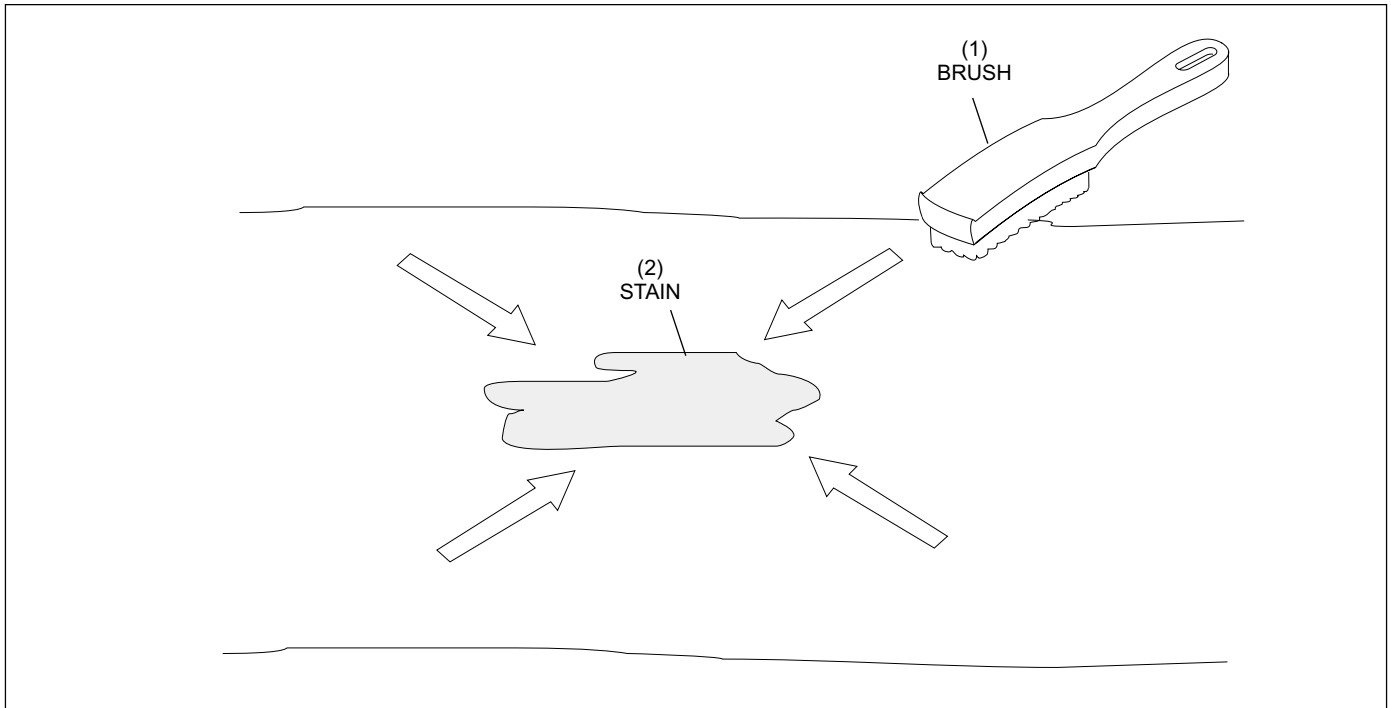


Figure 11. Brush Stain

(1) BRUSH

(2) STAIN

5. Blot with a clean, white, dry towel
6. Use the “Fabric Freshener and Deodorizer” (*Figure 4*) to remove bodily odors and bacteria.

Weekly Cleaning

A weekly cleaning program to control dust and soils from collecting on the fabric surface is required.

1. Dust or vacuum the fabric.
2. Remove any excess stain with a clean, white, dry towel or scrape dry residue from outside toward center. Refer to *Figure 10*.

- Mix 4 oz. of “Concentrated Extraction Cleaner” (Figure 7) with one gallon of water. Refer to Figure 12.

- 4 OUNCES OF CONCENTRATE EXTRACTION CLEANER
- 1 GALLON WATER

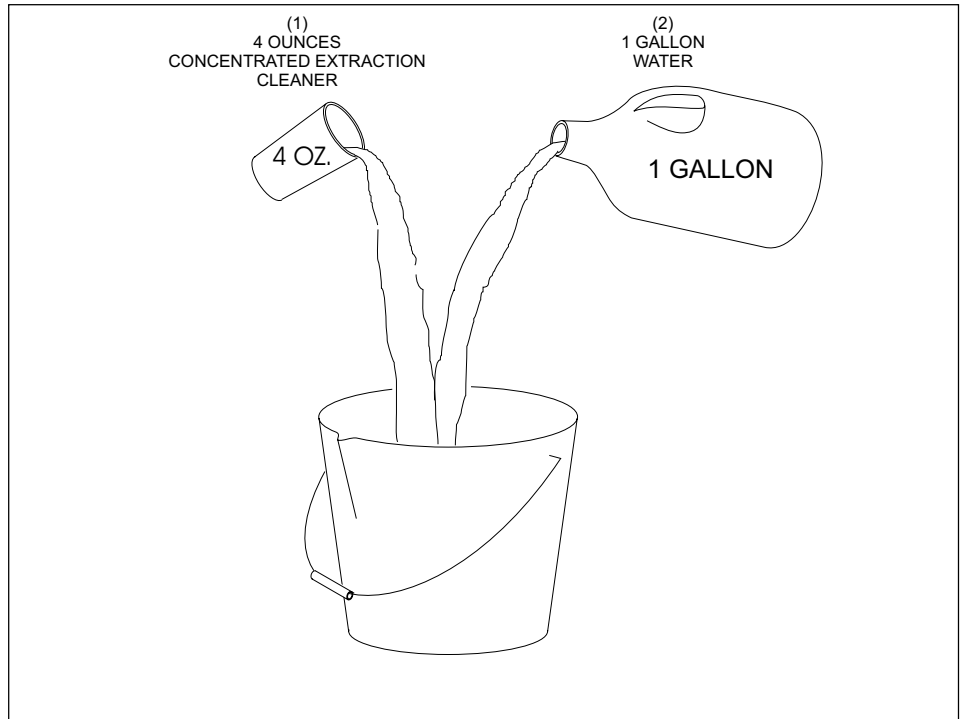


Figure 12. Mix Solution

- Unfasten the two latches which hold the recovery tank to the solution tank. Lift recovery tank off of solution tank. Refer to Figure 13.

- LATCH
- RECOVERY TANK
- SOLUTION TANK
- RECOVERY TANK DRAIN PLUG

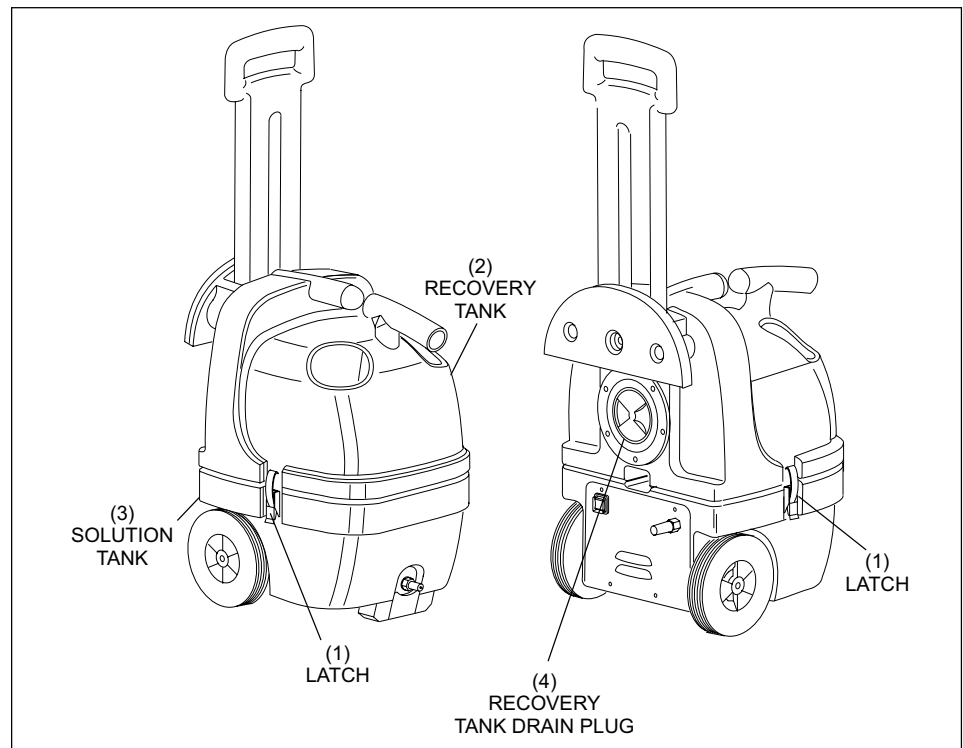


Figure 13. Remove Recovery Tank

5. Pour Concentrated Extraction Cleaner solution (mixed in step 3) into the solution tank of the upholstery extractor machine. Refer to *Figure 14*.

- (1) SOLUTION TANK
- (2) SOLUTION

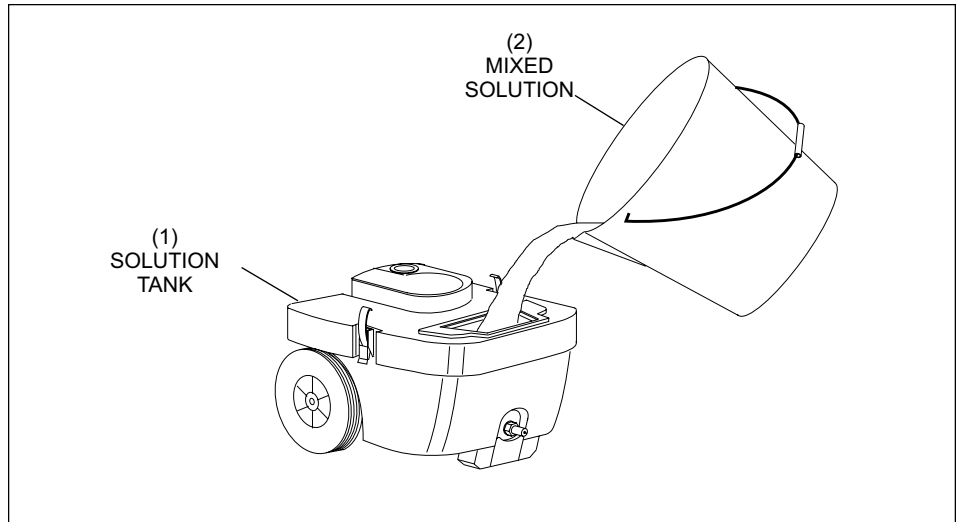


Figure 14. Fill Solution Tank

6. Replace the recovery tank onto the solution tank. Refer to *Figure 13*.
7. Fasten the two latches. Refer to *Figure 13*.
8. Plug power cord into grounded power outlet.
9. Connect vacuum and solution hose to the extraction machine. Refer to *Figure 15*.

- (1) CONNECT VACUUM HOSE
- (2) CONNECT SOLUTION HOSE

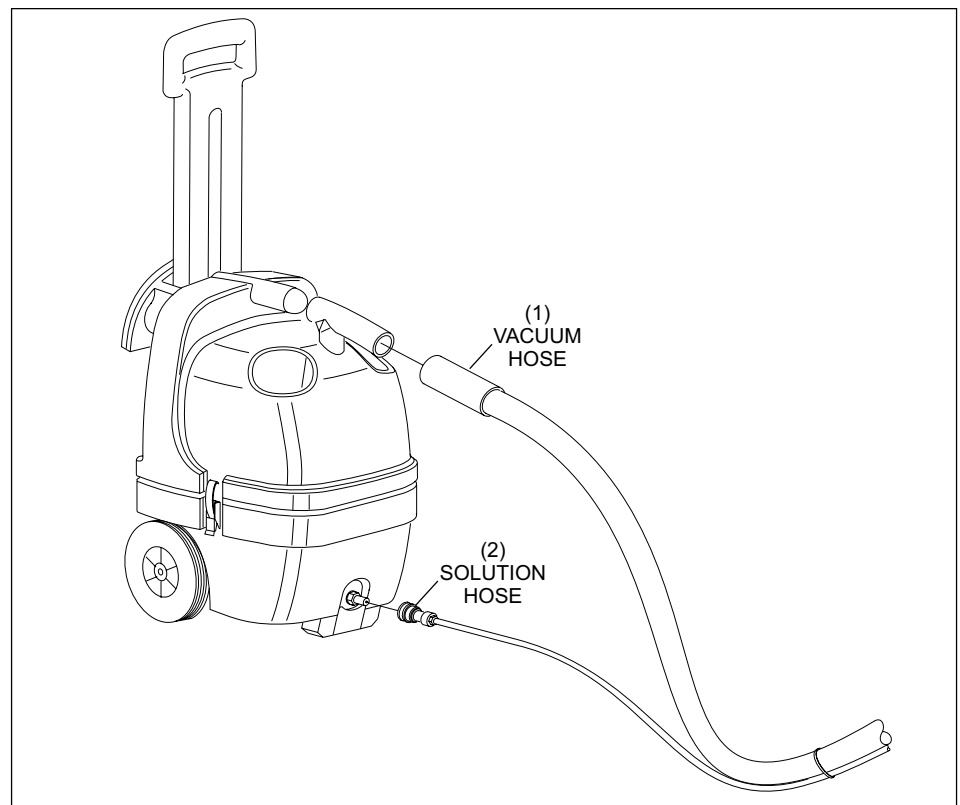


Figure 15. Connect Hoses

10. Turn on the vacuum and apply solution switch. Refer to *Figure 16*.

- (1) POWER SWITCH
- (2) VACUUM ONLY
- (3) VACUUM & SOLUTION APPLY

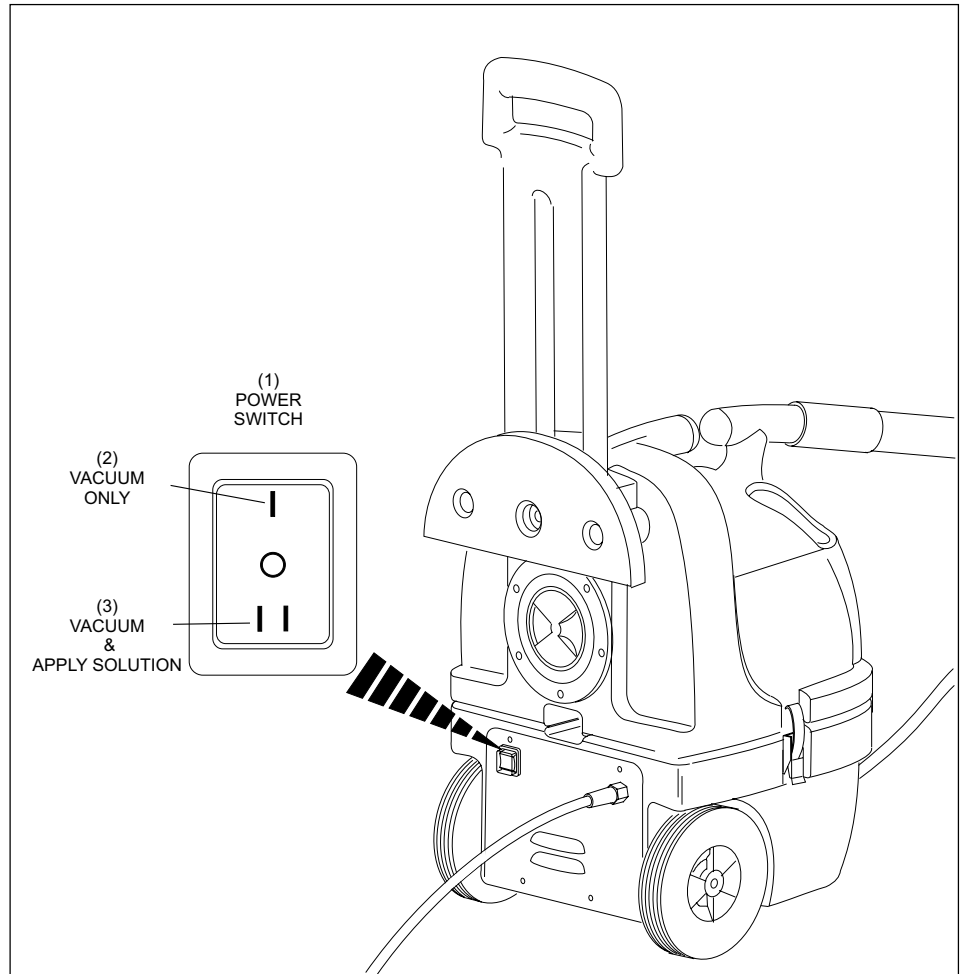


Figure 16. Turn On Power Switches



NOTE:

A rattling noise will occur when solution tank becomes empty, turn off the switch when tank becomes empty.

11. On stained areas, pretreat with a pre-spray, hold the upholstery tool a few inches above the fabric and press the solution spray trigger to spray the solution on the fabric. Refer to *Figure 17*.

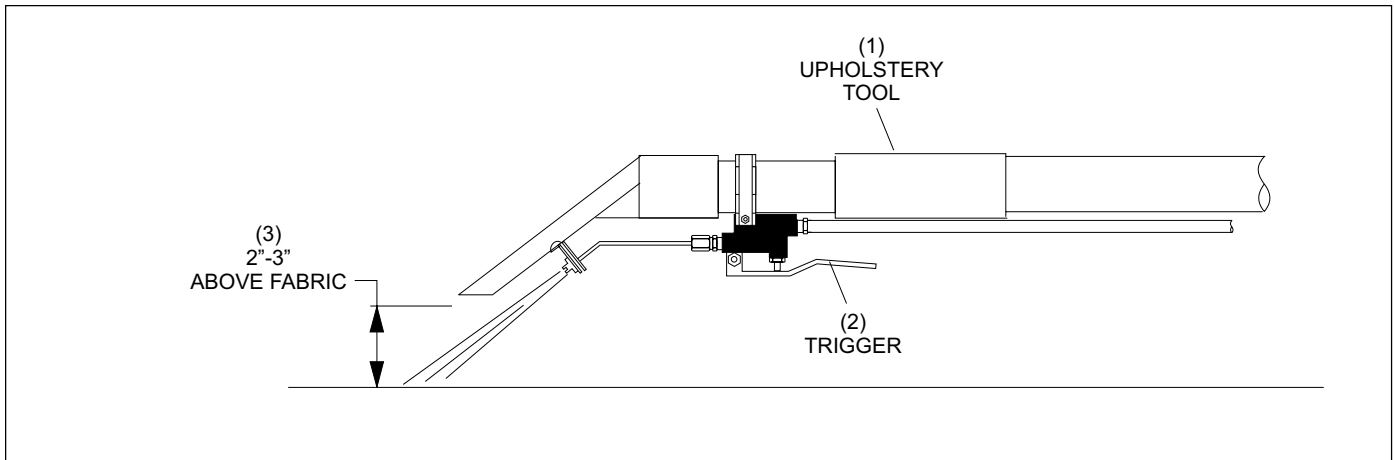


Figure 17. Pretreat

- (1) UPHOLSTERY TOOL (2) SOLUTION TRIGGER (3) 2"-3" ABOVE FABRIC

12. Allow 1 minute for the cleaning solution to absorb in stained areas.
13. Brush the stain from outside toward the center. Refer to *Figure 2*.
14. Apply spray/extraction wand to fabric surface with moderate pressure and extract surface while holding solution spray trigger. Refer to *Figure 18*.

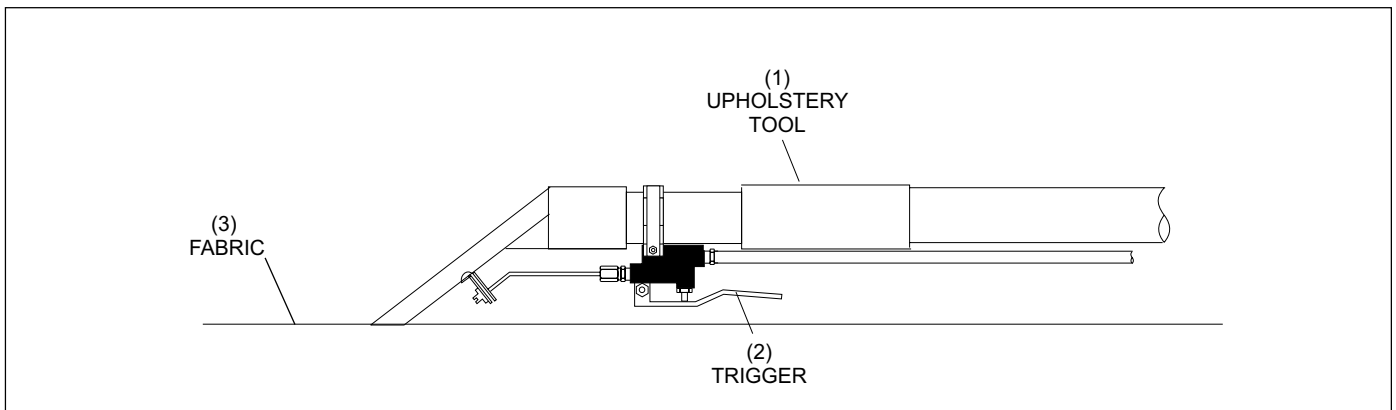


Figure 18. Extract

- (1) UPHOLSTERY TOOL (2) TRIGGER (3) FABRIC

15. Repeat vacuuming of stained surface until all water is removed.
16. Use the "Fabric Freshener and Deodorizer" (*Figure 4*) to remove bodily odors and bacteria.

Restorative Cleaning

Restorative cleaning should be scheduled every 6 months. This process involves using the “Upholstery Extracting Machine” and the “Concentrated Extracting Cleaner” to vacuuming the **entire** piece of furniture.

1. Please refer back to the "Weekly Maintenance" and complete steps 1 through 14.
2. Apply spray/extraction wand to the fabric surface with moderate pressure and extract surface while holding the solution spray trigger on **entire** piece.
3. Repeat vacuuming of surface until all water is removed.
4. Use the “Fabric Freshener and Deodorizer” (*Figure 4*) to remove bodily odors and bacteria.

Leather and Vinyl Cleaning Instructions

The instructions below are for cleaning and restoration of leather and vinyl. The restoration process replenish and reconditions the natural oils removed from cleaners and should be applied every time a cleaning process is occurred

Spot Cleaning

1. Apply “Leather and Vinyl Cleaner” (*Figure 5*) on stain.
2. Lightly brush and blot the surface, from outside toward the center of the stain. Refer to *Figure 11*.
3. Wipe with a clean, white, dry towel.
4. Apply “Leather and Vinyl Restorer” (*Figure 6*) on the area that has been cleaned
5. Allow to air dry.

Weekly Cleaning

1. Apply “Leather and Vinyl Cleaner” (*Figure 5*) on **entire** surface.
2. Wipe with a clean, white, dry towel.
3. Apply “Leather and Vinyl Restorer” (*Figure 6*) on the area that has been cleaned.
4. Allow to air dry.

Laminate Cleaning Instructions

Cleaning and Restorer Supplies

Cleaning Supplies

- Formula 409®
- Dawn®
- Glass Plus®
- Fantastik®
- Windex®
- Mr. Clean®
- TOP JOB®

Restorer Supplies

- Pledge®



CAUTION!

Do not use any cleaning supplies with bleach, Hydrochloric Acid, Sulfuric Acid, Hydrofluoric Acid, Phosphoric Acid, Sodium Hydroxide, Pumice (abrasive), or sharp objects may mar or damage the surface.

Spot Cleaning

1. Remove any excess stain with a clean, white, towel.
2. Clean the laminate surface with a damp clean, white, towel and one of the “Cleaning Supplies”. See *Cleaning Supplies* above.
3. Wipe with a clean, white, dry towel.
4. Apply the “Restorer Supplies” (see *Restorer Supplies* above) to condition and hide small scratches on the surface.
5. Polish with a clean, white, dry towel.

Weekly Cleaning

1. Remove any excess stain with a clean, white, towel.
2. Clean the **entire** laminate surface with a damp, clean, white, towel and one of the “Cleaning Supplies”. See *Cleaning Supplies* above.
3. Wipe with a clean, white, dry towel.
4. Apply the “Restorer Supplies” (see *Restorer Supplies* above) to condition and hide small scratches on the surface.
5. Polish with a clean, white, dry towel.

Cleaning Chart

- G** Cleaner - Gold Bottle
- G** Fabric Freshener - Green Label
- P** Cleaner - Purple Bottle

| STAIN TYPE | CLEANER |
|------------------|-------------------|
| Beer | G |
| Blood | G G |
| Butter/Margerine | P G |
| Catsup | G |
| Chocolate | G |
| Coffee | G |
| Cola | P |
| Cosmetics | P |
| Crayon | P |
| Grass | G |
| Grease (motor) | P |
| Gum | P |
| Ink | P |
| Iodine | P |
| Jelly | G |
| Juices | G |
| Lipstick | P |
| Mayonnaise | P G |
| Mildew | G G |
| Milk | G |
| Mustard | P G |
| Nail Polish | P |
| Oil | P |
| Paint (latex) | G |
| Red Drinks | P |
| Rust | P |
| Shoe Polish | P |
| Sun Block | P |
| Tar | P |
| Tea | P G |
| Urine | G G |
| Vegetable Oil | P G |
| Vomit | G G |
| Wine | G |

Figure 18. Cleaning Chart

Intentionally Blank Page

Upholstery Cleaner Bowling Centers Sales Order Form

| BILL TO | | | SHIP TO (IF APPLICABLE) | | |
|---------------|------|--|-------------------------|------|--|
| Contact Name: | | | Contact Name: | | |
| Company: | | | Company: | | |
| Address: | | | Address: | | |
| City: | | | City: | | |
| State: | Zip: | | State: | Zip: | |
| Phone Number: | | | Phone Number: | | |

| PAYMENT INFORMATION | | |
|---------------------|--|-----------------------------------|
| Credit Card #: | | Circle Type: AMEX VISA MASTERCARD |
| Expiration Date: | | Signature: |

| QTY. | ITEM # | DESCRIPTION | PACKAGING | PRICE | EXTENDED PRICE |
|------|-------------|---|--|-------|----------------|
| | CC0458 | Upholstery Brush | 1 | | |
| | CC 0252 | Fabric Freshener & Deodorizer | 12/24 oz. bottles | | |
| | CC 0269 | PURPLE: Ink, Grease & Oil Stain Remover | 12/24 oz. bottles | | |
| | CC 0476 | GOLD: Food, Beverage & Protein Stain Remover | 12/24 oz. bottles | | |
| | CC 0250 | Combo Leather/Vinyl Cleaner & Restorer | 12/24 oz. bottles | | |
| | CC 3000 | Upholstery Extraction Machine - 120V USA | | | |
| | CC 3000-220 | Upholstery Extraction Machine - 220V International | | | |
| | CC 0624 | Brunswick Combo Case Includes: Purple Gold Green (fabric fresher) Extraction Concentrate Leather/Vinyl Cleaner Leather/Vinyl Restorer Upholstery Brush Trigger Sprayers Reorder Instructions Stain chart. | 1/24 oz. bottle 1/24 oz. bottle 1/24 oz. bottle 1/24 oz. bottle 1/24 oz. bottle 1/24 oz. bottle 1 6 1 1 | | |

| ORDER SUMMARY | |
|---|--|
| <p>Call 1-800-279-7866 or Fax your order to: 248-855-1396</p> | Merchandise Total \$ |
| | Sales Tax (MI & NC Only) \$ |
| | SUBTOTAL \$ |
| | Shipping & Handling (F.O.B. Kings Mountain, NC) \$ |
| | TOTAL \$ |