

Section E

CONTROL DESK

Index No.	Part No.	Description	Index No.	Part No.	Description
1.	57-214469-002	Keyboard Assembly (Brunswick Repair/Exchange)		*** N.A.	Keyboard Cap "O"
2.	57-214469-009	Keyboard Decal		*** N.A.	Keyboard Cap "P"
3.	*** N.A.	Keyboard Cap "Arrow Up"		*** N.A.	Keyboard Cap "Q"
4.	57-214469-049	Keyboard Cap "Arrow Right"		*** N.A.	Keyboard Cap "R"
5.	*** N.A.	Keyboard Cap "Arrow Left"		*** N.A.	Keyboard Cap "S"
6.	*** N.A.	Keyboard Cap "Arrow Down"		*** N.A.	Keyboard Cap "T"
7.	*** N.A.	Keyboard Cap "0"		*** N.A.	Keyboard Cap "U"
	*** N.A.	Keyboard Cap "1"		*** N.A.	Keyboard Cap "V"
	*** N.A.	Keyboard Cap "2"		*** N.A.	Keyboard Cap "W"
	*** N.A.	Keyboard Cap "3"		*** N.A.	Keyboard Cap "X"
	*** N.A.	Keyboard Cap "4"		*** N.A.	Keyboard Cap "Y"
	*** N.A.	Keyboard Cap "5"	11.	N.A.	Keyboard Cap "Z"
	*** N.A.	Keyboard Cap "6"			CRT Assembly (Brunswick Repair/Exchange)
	*** N.A.	Keyboard Cap "7"	12.	*57-214125-8XX	Eprom PCB and CPU PCB Assemblies (Brunswick Repair/Exchange)
	*** N.A.	Keyboard Cap "8"			Key and Lock Reset
	*** N.A.	Keyboard Cap "9"	13.	N.A.	Console Hood
8.	57-214469-054	Keyboard Cap "Enter/Return"	14.	N.A.	Handset Holder
9.	*** N.A.	Keyboard Cap "Blank"	15.	57-214469-007	Printer Decal
10.	57-214469-011	Keyboard Cap "A"	16.	N.A.	Printer Assembly (Brunswick Repair/Exchange)
	*** N.A.	Keyboard Cap "B"	17.	* N.A.	Keyboard Switch
	*** N.A.	Keyboard Cap "C"	18.	**N.A.	Handset Assembly (Brunswick Repair/Exchange)
	*** N.A.	Keyboard Cap "D"	19.	57-214332-000	Screw (#6-32 x 3/8")
	*** N.A.	Keyboard Cap "E"	20.	11-012272-001	Screw (#6-32 x 2")
	57-214469-016	Keyboard Cap "F"	21.	11-012284-001	Keps Nut (#6-32)
	*** N.A.	Keyboard Cap "G"	22.	11-176005-001	Fan Grill
	*** N.A.	Keyboard Cap "H"	23.	N.A.	Fan Only
	*** N.A.	Keyboard Cap "I"	24.	57-214491-000	Fan Kit - Complete
	57-214469-020	Keyboard Cap "J"	25.	N.A.	Keycap Decals - Complete Set
	*** N.A.	Keyboard Cap "K"	26.	57-215001-000	
	*** N.A.	Keyboard Cap "L"			
	*** N.A.	Keyboard Cap "M"			
	57-214469-024	Keyboard Cap "N"			

* Contact Electronic Repair Center, Muskegon, MI for latest software, exchange board, or exchange unit.

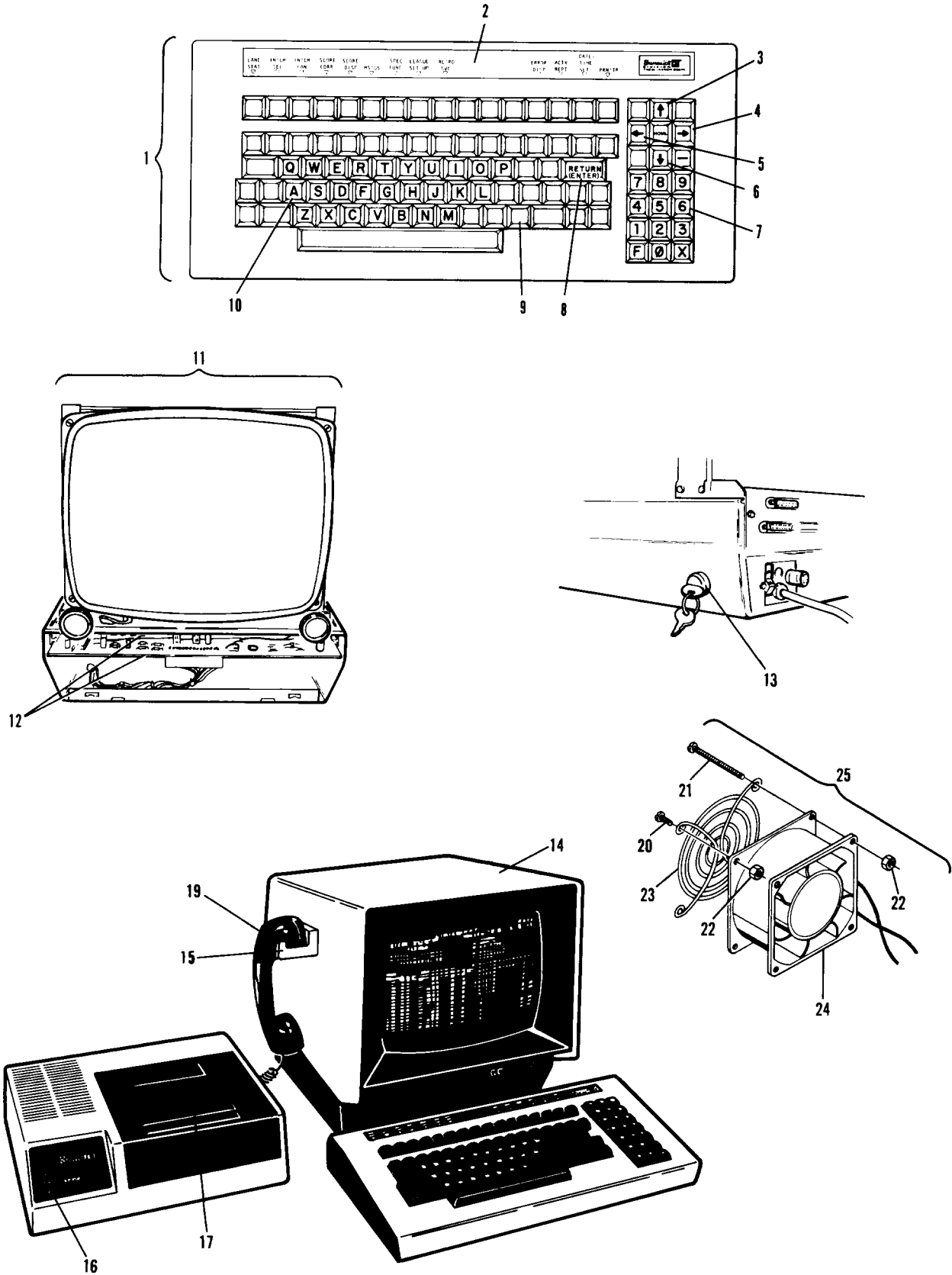
** Not Illustrated

*** Replaced by item 26.

N.A. = No Longer Available

Associated Interconnecting Cables

57-214182-000	Manager's Control Adaptor Cable
N.A.	Office Computer Interface Cable



B & W Manager's Control

Index No.	Part No.	Description
1.	* N.A.	Transformer
2.	57-214204-000	Printer Paper (Pkg. of 50 Rolls)
3.	57-214081-000	Paper Spindle Assembly
4.	*** N.A.	Printer Cover
5.	57-860068-000	Microprinter Mechanism Assembly (Brunswick Repair/Exchange)
6.	* N.A.	Cabinet Top Unit
7.	* N.A.	Cabinet Lower Unit
8.	* N.A.	Input Cable Assembly
9.	**57-214329-031	Fuse (1.0 Amp)
10.	**57-214329-032	Fuse (0.5 Amp)
11.	**57-214329-033	Fuse Holder

N.A. = No Longer Available

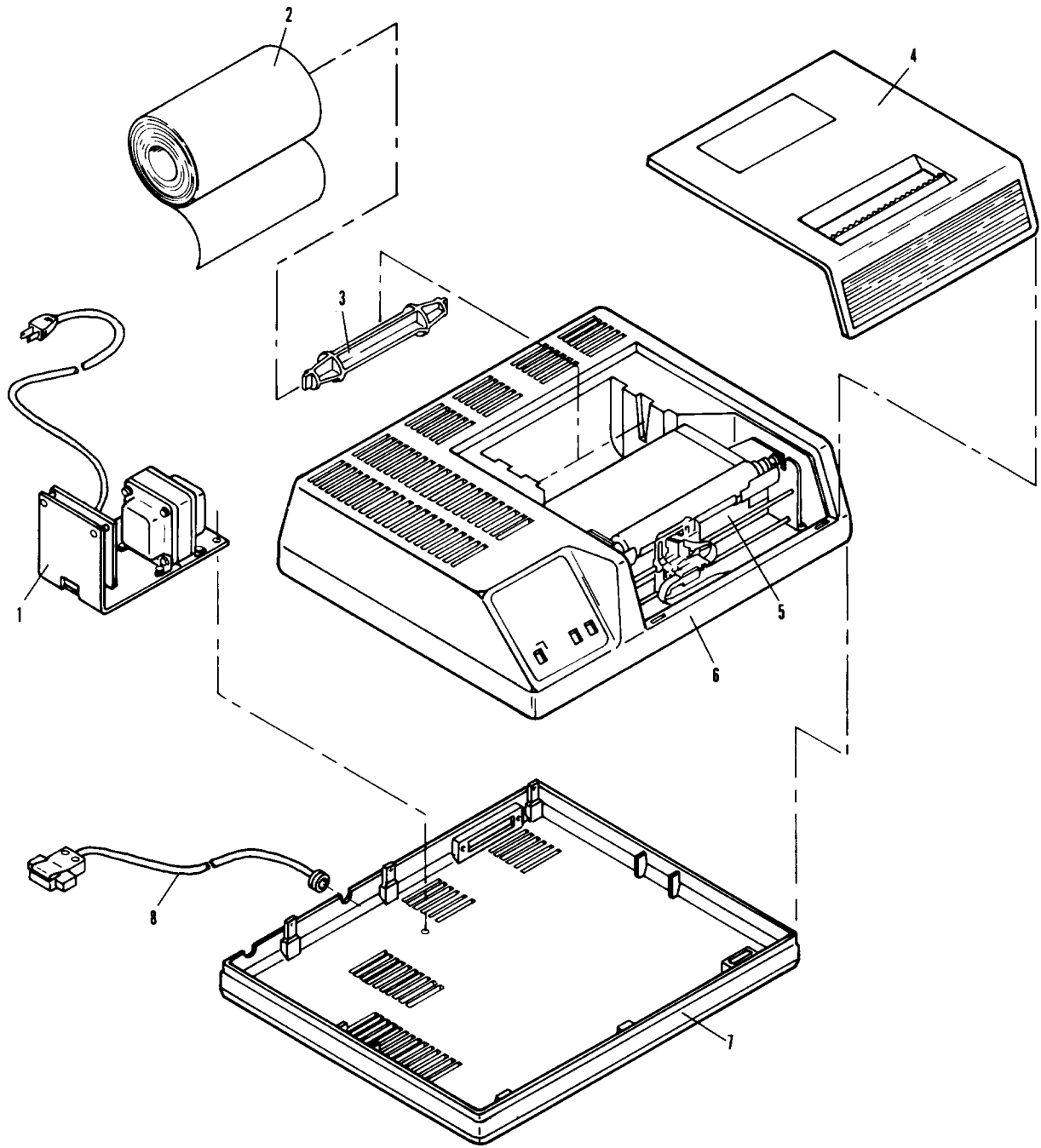
* Contact Electronic Repair Center, Muskegon, MI for service unit.

** Not Illustrated

*** Covers are no longer available. A repair kit has been developed to repair old cover. P/N 57-860328-000. Kit consists of:

1 ea.	Mounting Hardware
2 ea.	Replacement Tabs
1 ea.	Paper Cutter

B & W Manager's Control Printer Cabinet



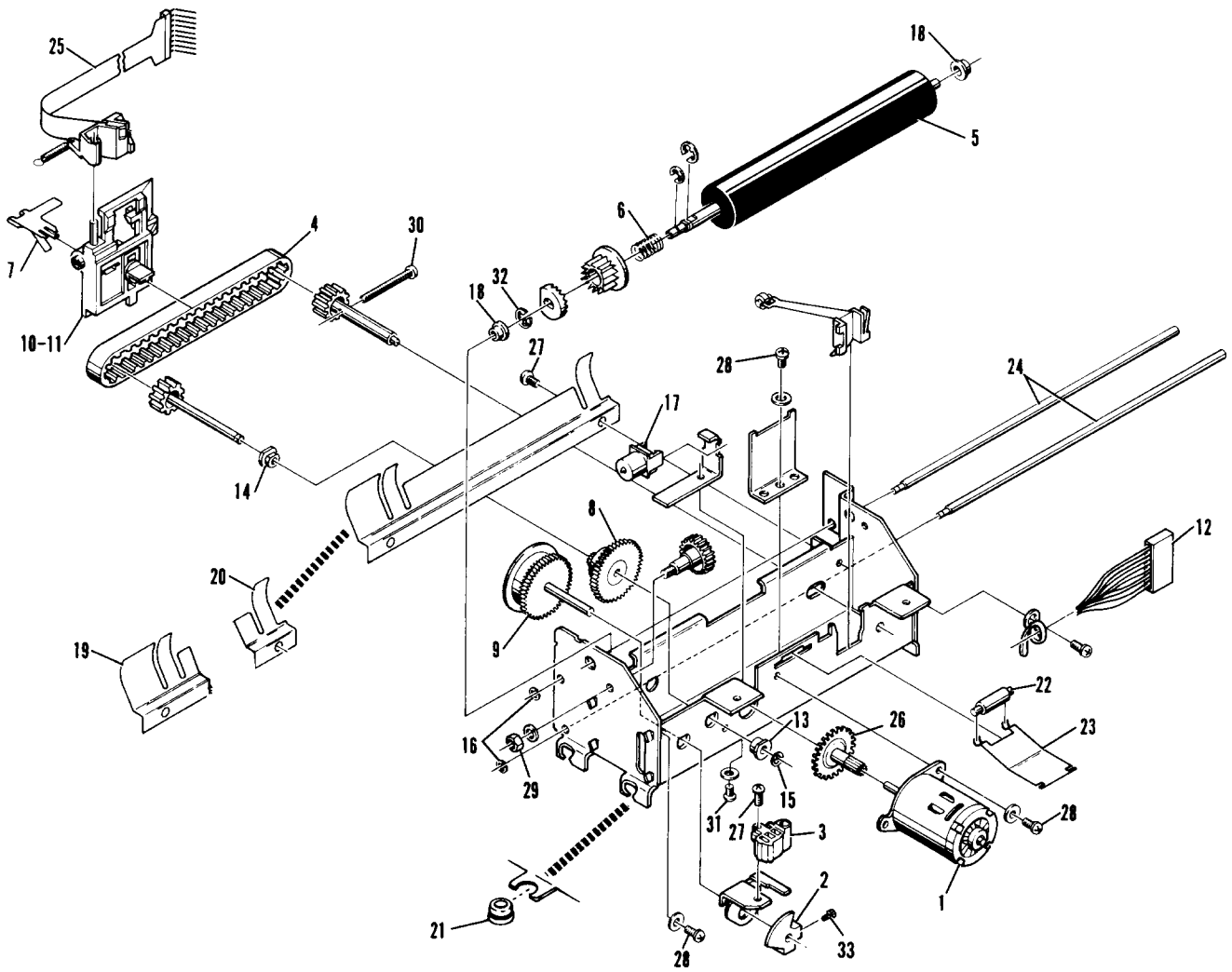
B & W Manager's Control Printer Cabinet

Index No.	Part No.	Description
1.	N.A.	Motor
2.	N.A.	Disc
3.	N.A.	Phototransistor
4.	N.A.	Belt
5.	N.A.	Platen
6.	N.A.	Spring
7.	N.A.	Clip
8.	57-214329-009	Gear "B"
9.	57-214329-010	Cam Gear
10.	N.A.	Slider
11.	*N.A.	Slider Pin
12.	N.A.	Connector
13.	57-214329-014	Bearing "C"
14.	57-214329-015	Bearing "B"
15.	57-214329-016	3 mm Ring
16.	57-214329-017	2 mm Ring
17.	N.A.	Coil Assembly
18.	57-214329-019	Bearing "A"
19.	57-214329-020	R.H. Paper Guide
20.	N.A.	L.H. Paper Guide
21.	57-214329-022	Rubber Foot
22.	N.A.	Roller "C"
23.	N.A.	Roller Holder
24.	N.A.	Slider Shaft
25.	57-214249-000	Print Head
26.	57-214329-037	Pulse Gear
27.	57-214329-038	Screw
28.	N.A.	Screw
29.	N.A.	Hex Nut
30.	N.A.	Screw
31.	N.A.	Screw
32.	N.A.	E-Ring
33.	57-214329-044	Set Screw

* Not Illustrated

N.A. = No Longer Available

**AS-80 Console and
B & W Manager's Control Printer**



**AS-80 Console and
B & W Manager's Control Printer**

Index

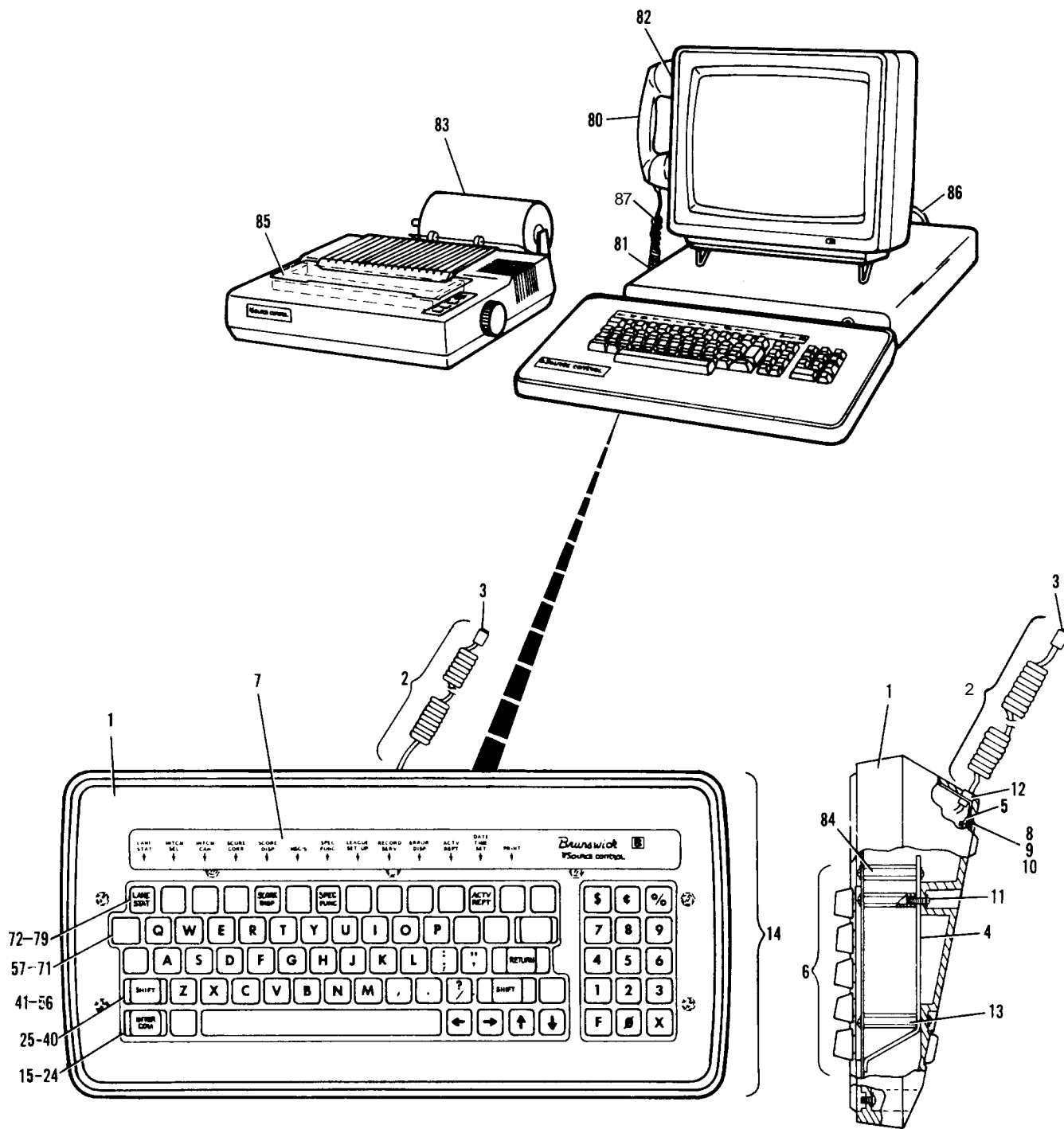
Index No.	Part No.	Description
1.	57-214741-000	Keyboard Enclosure
2.	57-214743-000	Keyboard Cable Assembly
3.	N.A.	Connector
4.	57-214712-000	Mounting Plate
5.	57-214713-000	Connector Mounting Bracket
6.	N.A.	Keyboard PCB Assembly
7.	N.A.	Keyboard Decal
8.	11-012274-001	Pan Hd. C.R. Screw (#6-32 x 1/2")
9.	11-190002-001	Plain Washer (#6)
10.	11-176005-001	Keps Nut (#6-32)
11.	11-017041-001	Round Hd. Sems C.R. Screw (#6-32 x 3/8")
12.	11-611005-000	Strain Relief Bushing
13.	11-185306-000	Hex Threaded Spacer (#6-32 x 1")
14.	57-860554-000	Keyboard Assembly - Complete (Brunswick Repair/Exchange)
15.	N.A.	Keycap "Inter Com"
16.	N.A.	Keycap "Blank"
17.	N.A.	Keycap "Space Bar"
18.	57-214754-005	Keycap "Arrow Left"
19.	57-214754-006	Keycap "Arrow Right"
20.	57-214754-007	Keycap "Arrow Up"
21.	57-214754-008	Keycap "Arrow Down"
22.	N.A.	Keycap "F"
23.	N.A.	Keycap "O"
24.	N.A.	Keycap "X"
25.	N.A.	Keycap Small "Shift"
26.	N.A.	Keycap "Z"
27.	N.A.	Keycap "X"
28.	N.A.	Keycap "C"
29.	N.A.	Keycap "V"
30.	N.A.	Keycap "B"
31.	N.A.	Keycap "N"
32.	N.A.	Keycap "M"
33.	N.A.	Keycap "Comma"
34.	N.A.	Keycap "Period"
35.	N.A.	Keycap "? and "/"
36.	N.A.	Keycap Large "Shift"
37.	N.A.	Keycap "Blank"
38.	57-214755-017	Keycap "1"
39.	57-214755-018	Keycap "2"
40.	N.A.	Keycap "3"
41.	N.A.	Keycap "Blank"
42.	N.A.	Keycap "A"
43.	N.A.	Keycap "S"
44.	N.A.	Keycap "D"
45.	N.A.	Keycap "F"
46.	N.A.	Keycap "G"
47.	N.A.	Keycap "H"
48.	N.A.	Keycap "J"
49.	N.A.	Keycap "K"
50.	N.A.	Keycap "L"
51.	N.A.	Keycap ; and ;
52.	N.A.	Keycap " and '
53.	57-214756-016	Keycap "Return"
54.	N.A.	Keycap "4"
55.	N.A.	Keycap "5"
56.	N.A.	Keycap "6"
57.	N.A.	Keycap "Blank"
58.	N.A.	Keycap "Q"
59.	N.A.	Keycap "W"
60.	N.A.	Keycap "E"
61.	N.A.	Keycap "R"
62.	N.A.	Keycap "T"
63.	N.A.	Keycap "Y"
64.	N.A.	Keycap "U"
65.	N.A.	Keycap "I"
66.	N.A.	Keycap "O"
67.	57-214757-014	Keycap "P"
68.	N.A.	Keycap Large "Blank"
69.	N.A.	Keycap "7"
70.	N.A.	Keycap "8"
71.	N.A.	Keycap "9"
72.	57-214758-002	Keycap "Lane Stat"
73.	N.A.	Keycap "Blank"
74.	57-214758-004	Keycap "Score Disp"
75.	57-214758-005	Keycap "Spec Func"
76.	57-214758-006	Keycap "Actv Rept"
77.	N.A.	Keycap "\$"
78.	N.A.	Keycap "c"
79.	N.A.	Keycap "%"
80.	57-214717-000	Handset Assembly (Brunswick Repair/Exchange)
81.	11-697247-000	Connector
82.	57-214718-000	Handset Holder
83.	57-860286-000	Printer Paper (Pkg. of 2 Rolls)
84.	11-185313-000	Hex Threaded Spacer (#6-32 x 7/8")
85.	57-860189-000	Printer Ribbon Cartridge
86.	57-214951-000	Magnavox Cable Assembly
87.	11-680730-000	Handset Cable Assembly
88.	N.A.	Keycap Decals - Complete Set (Cream w/Black Decals)
89.	N.A.	Keycap Decals - Complete Set (Gray w/White Characters)

N.A. = No Longer Available

Associated Interconnecting Cables

57-214182-000 Manager's Control Adapter Cable
Printer Cable

Source Control



Source Control

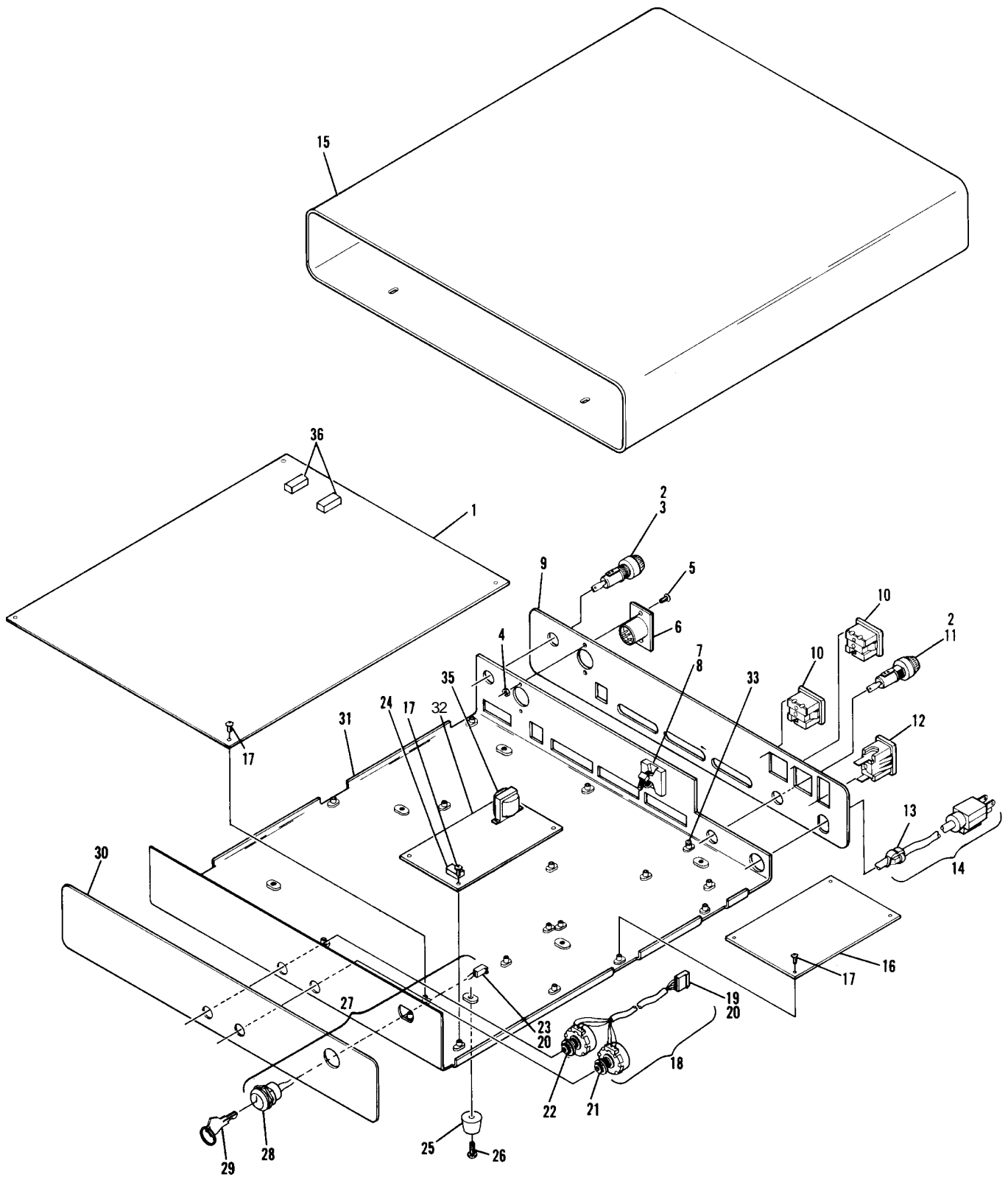
Index No.	Part No.	Description
1.	57-860282-507	Main Logic PCB Assembly (for Panasonic Monitors) (Brunswick Repair/Exchange)
	57-860319-507	Main Logic PCB Assembly (for Magnavox Monitors) (Brunswick Repair/Exchange)
2.	11-685126-000	Fuse Holder
3.	11-684011-000	Slo Blo Fuse (0.5 Amp)
4.	11-124000-001	Electrical Hex Nut (#4-40)
5.	11-014002-001	Flat Hd. C.R. Screw (#4-40 x 3/8")
6.	11-697248-000	XLR Connector
7.	11-697051-000	Mounting Clamp
8.	11-603105-000	Cable Tie
9.	57-214723-000	Rear Plate
10.	11-690537-000	Power Receptacle
11.	11-685019-000	Fast Blo Fuse (4.0 Amp)
12.	11-615476-000	Power Switch
13.	11-611009-000	Strain Relief Bushing
14.	57-214733-000	Line Cord Cable Assembly
15.	57-214726-000	Cabinet
16.	57-214705-010	Power Supply (Brunswick Repair/Exchange)
17.	11-017041-001	Round Hd. C.R. Sems Screw (#6-32 x 3/8")
18.	57-214707-000	Audio Cable Assembly
19.	11-697232-000	Connector
20.	11-680326-000	Terminal
21.	11-693513-000	Variable Resistor 10K Ohm, 2 Watt
22.	11-693512-000	Variable Resistor 1K Ohm, 2 Watt
23.	11-697231-000	Connector
24.	11-696603-000	Relay SPDT
25.	57-214708-000	Bumper Foot
26.	11-012274-001	Pan Hd. C.R. Screw (#6-32 x 1/2")
27.	57-214701-000	Key Switch Cable Assembly
28.	11-697249-000	Key Switch
29.	11-697249-002	Replacement Key Only
30.	57-214724-000	Front Plate
31.	57-214725-000	Chassis Assembly
32.	57-860289-000	Audio PCB Assembly (Brunswick Repair/Exchange)
33.	11-017043-001	Round Hd. C.R. Sems Screw (#6-32 x 1/2")
34.	*11-199002-001	Internal Tooth Lockwasher (#8)
35.	11-697107-000	Transformer
36.	11-614350-000	Relay 24 Volt DPDT

* Not Illustrated

Associated Interconnecting Cables

57-214182-000	Manager's Control Adapter Cable
67-860231-000	Office Computer Interface Cable

Source Control Chassis

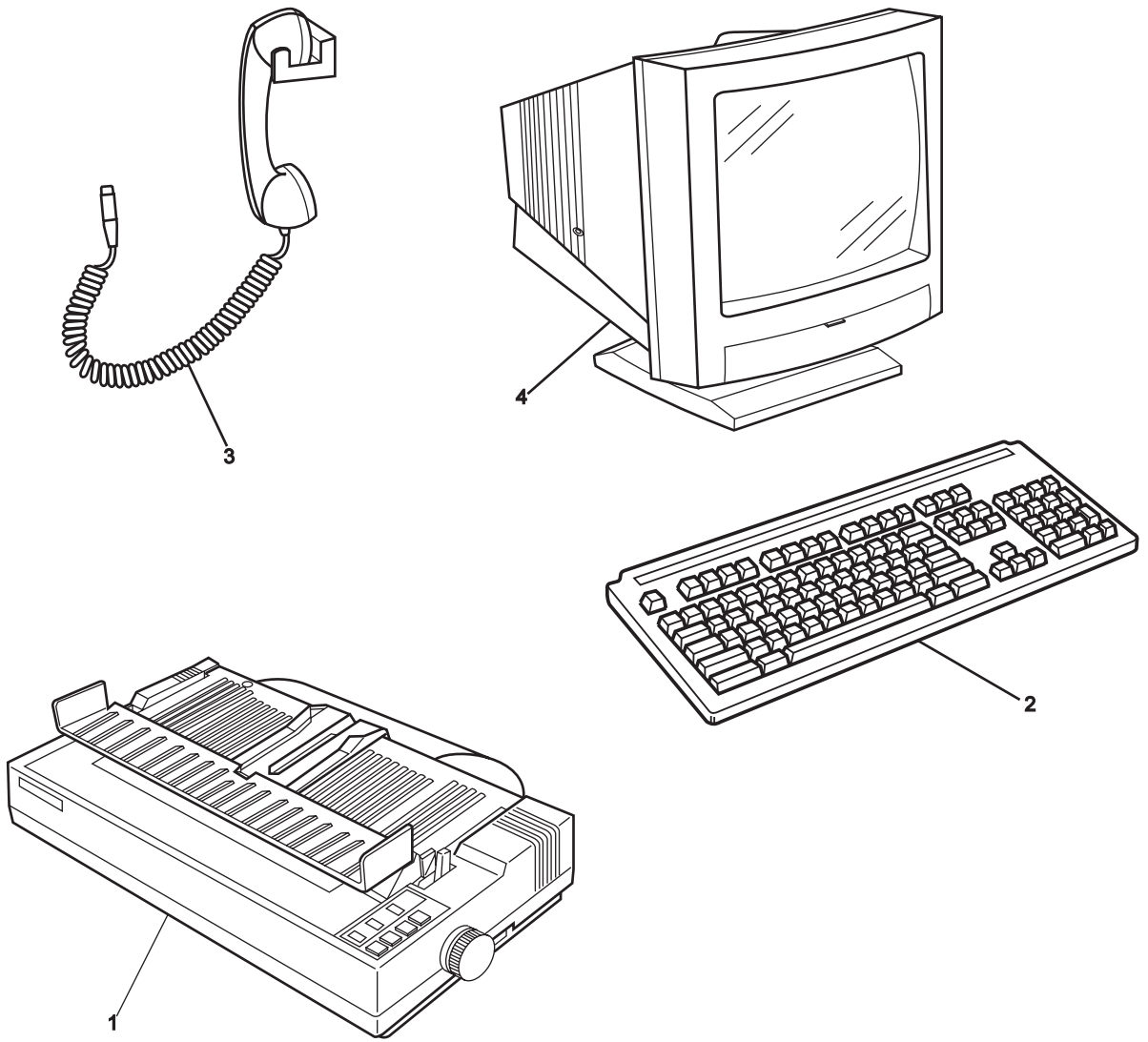


Source Control Chassis

Index No.	Part No.	Description
1.	57-860278-000	Manager's Control Printer Assembly (Brunswick Repair/Exchange)
2.	57-860554-000	Keyboard Assembly (Brunswick Repair/Exchange)
3.	57-860320-000	Handset - Adapter Cables & Hardware Package
4.	57-860273-000	Monitor (Brunswick Repair/Exchange)
5.	*57-860286-000	Computer Printer Roll Paper

* Not Illustrated

1.5 Manager's Control Printer, Keyboard, and Handset



**1.5 Manager's Control Printer,
Keyboard, and Handset**

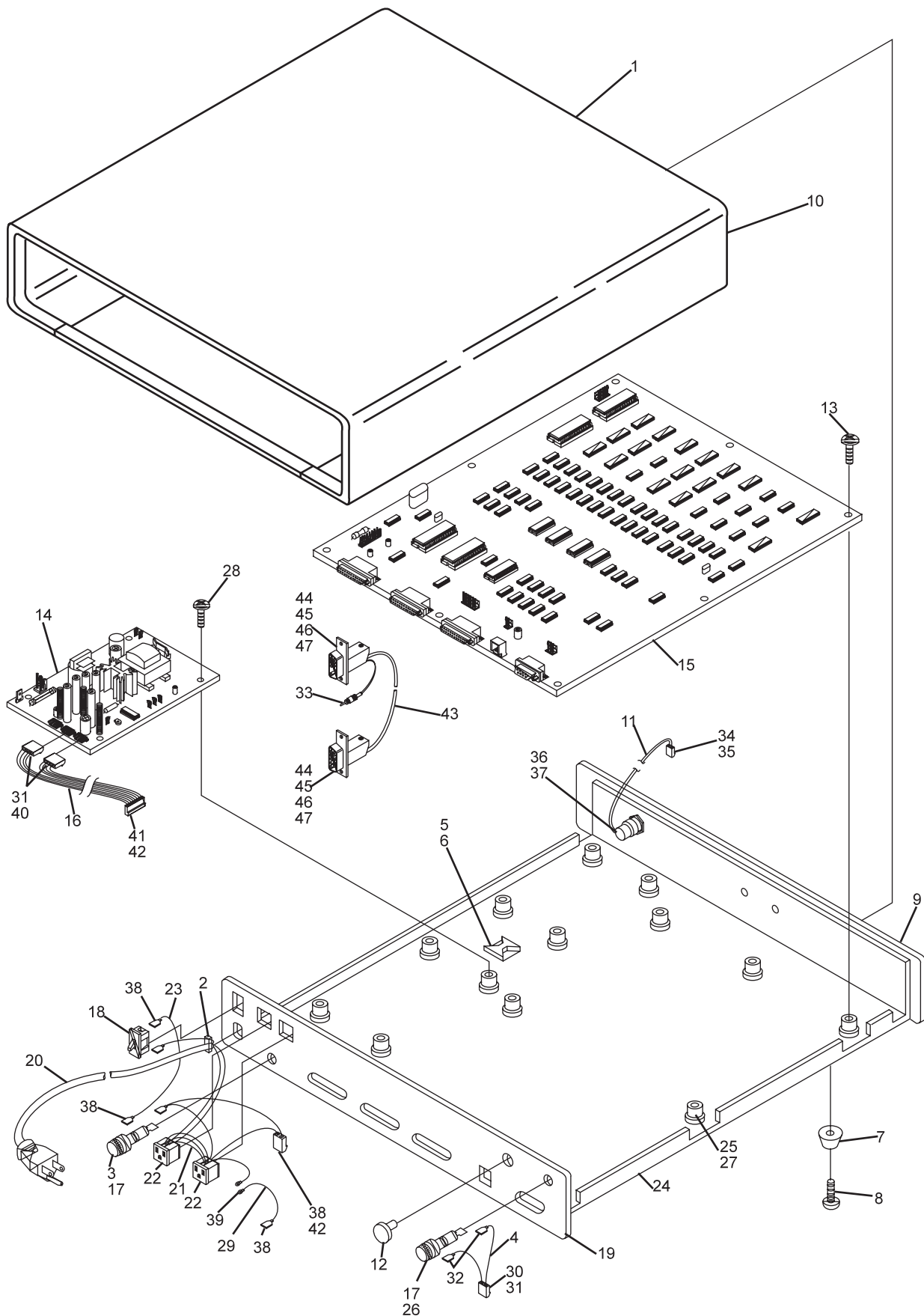
Index No.	Part No.	Description
1.	57-860555-401	MC 1.5 Chassis for AS-K (Brunswick Repair/Exchange)
2.	11-611009-000	Strain Relief Bushing
3.	11-684007-000	Slo Blo Fuse (4.0 Amp)
4.	N.A.	Com Line Cable Assembly
5.	11-697051-000	Mounting Clamp
6.	11-603105-000	Tie Wrap
7.	57-214708-000	Bumper Foot
8.	11-012274-001	Pan Hd. C.R. Screw (#6-32 x 1/2")
9.	57-214724-000	Front Plate
10.	57-214726-000	Cabinet
11.	57-214701-000	Key Switch Cable Assembly
12.	N.A.	Nylon Plug
13.	11-017041-001	Screw w/ Ext. Tooth Lockwasher (#6-32 x .38")
14.	57-214705-010	Power Supply Assembly (Brunswick Repair/Exchange)
15.	N.A.	Main Logic PCB Univ. (AS-K, AS90) (Brunswick Repair/Exchange)
16.	57-214727-000	Power Cable
17.	11-685126-000	Fuse Holder
18.	11-615476-000	Switch
19.	57-214723-000	Rear Plate
20.	57-214733-000	Power Cord Assembly
21.	57-214732-000	A/C Power Cable Assembly
22.	11-690542-000	Power Receptacle
23.	57-214734-000	Switch Cable Assembly
24.	57-214725-000	Control Chassis
25.	11-199002-001	Int. Tooth Lockwasher
26.	11-684011-000	Fuse (0.5 Amp)
27.	11-611526-000	Shoulder Bushing
28.	11-017043-001	Screw w/ Ext. Lockwasher (#6-32 x 1/2")
29.	57-214996-000	Green Ground Cable Assembly
30.	11-697236-000	Connector
31.	11-680326-000	Terminal
32.	11-612253-000	Faston
33.	11-681300-000	Phono Plug
34.	11-697231-000	Connector
35.	11-680323-000	Terminal
36.	11-697249-002	Key
37.	11-697249-000	Key Switch
38.	11-612152-000	Receptacle
39.	11-612006-000	Terminal
40.	11-697234-000	Connector
41.	11-697208-000	Connector
42.	11-680322-000	Terminal
43.	57-215318-000	Magnavox Monitor Stereo Cable Assembly
44.	11-680985-000	Connector
45.	11-680980-000	Cover
46.	11-680981-000	Terminal
47.	11-680988-000	Retaining Screw

N.A. = No Longer Available

Associated Interconnecting Cables

57-214182-000	Manager's Control Adapter Cable
67-860231-000	Office Computer Interface Cable

MC 1.5 Chassis for AS-K



MC 1.5 Chassis for AS-K

Index No.	Part No.	Description
1.	N.A.	MC 1.5 Chassis Assembly for AS-90 (Brunswick Repair/Exchange)
2.	11-611009-000	Strain Relief Bushing
3.	11-684007-000	Slo-Blo Fuse (4.0 Amp)
4.	N.A.	Com Line Cable Assembly
5.	11-697051-000	Mounting Clamp
6.	11-603105-000	Tie Wrap
7.	57-214708-000	Bumper Foot
8.	11-012274-001	Pan Hd. C.R. Screw (#6-32 x 1/2")
9.	57-214724-000	Front Plate
10.	57-214726-000	Cabinet
11.	57-214701-000	Key Switch Cable Assembly
12.	57-214730-000	Handset Cable Assembly
13.	11-017041-001	Screw w/ Ext. Tooth Lockwasher (#6-32 x 3/8")
14.	57-214705-010	Power Supply Assembly (Brunswick Repair/Exchange)
15.	*N.A.	Main Logic PCB (Brunswick Repair/Exchange)
16.	57-214727-000	Power Cable
17.	11-685126-000	Fuse Holder
18.	11-615476-000	Switch
19.	57-214723-000	Rear Plate
20.	57-214733-000	Power Cord Assembly
21.	57-214732-000	A/C Power Cable Assembly
22.	11-690542-000	Power Receptacle
23.	57-214734-000	Switch Cable Assembly
24.	57-214725-000	Control Chassis
25.	11-199002-001	Int. Tooth Lockwasher
26.	11-684011-000	Fuse (0.5 Amp)
27.	11-611526-000	Shoulder Bushing
28.	11-017043-001	Screw w/ Ext. Tooth Lockwasher (#6-32 x 1/2")
29.	57-214996-000	Green Ground Cable Assembly
30.	57-860289-000	Audio Board PCB Assembly (Brunswick Repair/Exchange)
31.	57-214728-000	Audio Logic Cable Assembly
32.	57-214707-000	Audio Cable Assembly
33.	11-124000-001	Hex Nut (#4-40)
34.	11-014002-001	Flat Hd. C.R. Screw (#4-40 x 3/8")
35.	11-697236-000	Connector
36.	11-680326-000	Terminal
37.	11-612253-000	Faston
38.	11-681300-000	Phono Plug
39.	11-697231-000	Connector
40.	11-680323-000	Terminal
41.	11-697249-002	Key
42.	11-697249-000	Key Switch
43.	11-697234-000	Connector
44.	11-697248-000	Connector
45.	11-612152-000	Receptacle
46.	11-612006-000	Terminal
47.	11-697235-000	Connector
48.	11-697232-000	Connector
49.	11-693513-000	Potentiometer (10K)
50.	11-693512-000	Potentiometer (1K)
51.	11-680988-000	Retaining Screw
52.	11-697208-000	Connector
53.	11-680322-000	Terminal
54.	57-215318-000	Magnavox Monitor Stereo Cable Assembly
55.	11-680985-000	Connector
56.	11-680980-000	Cover
57.	11-680981-000	Terminal

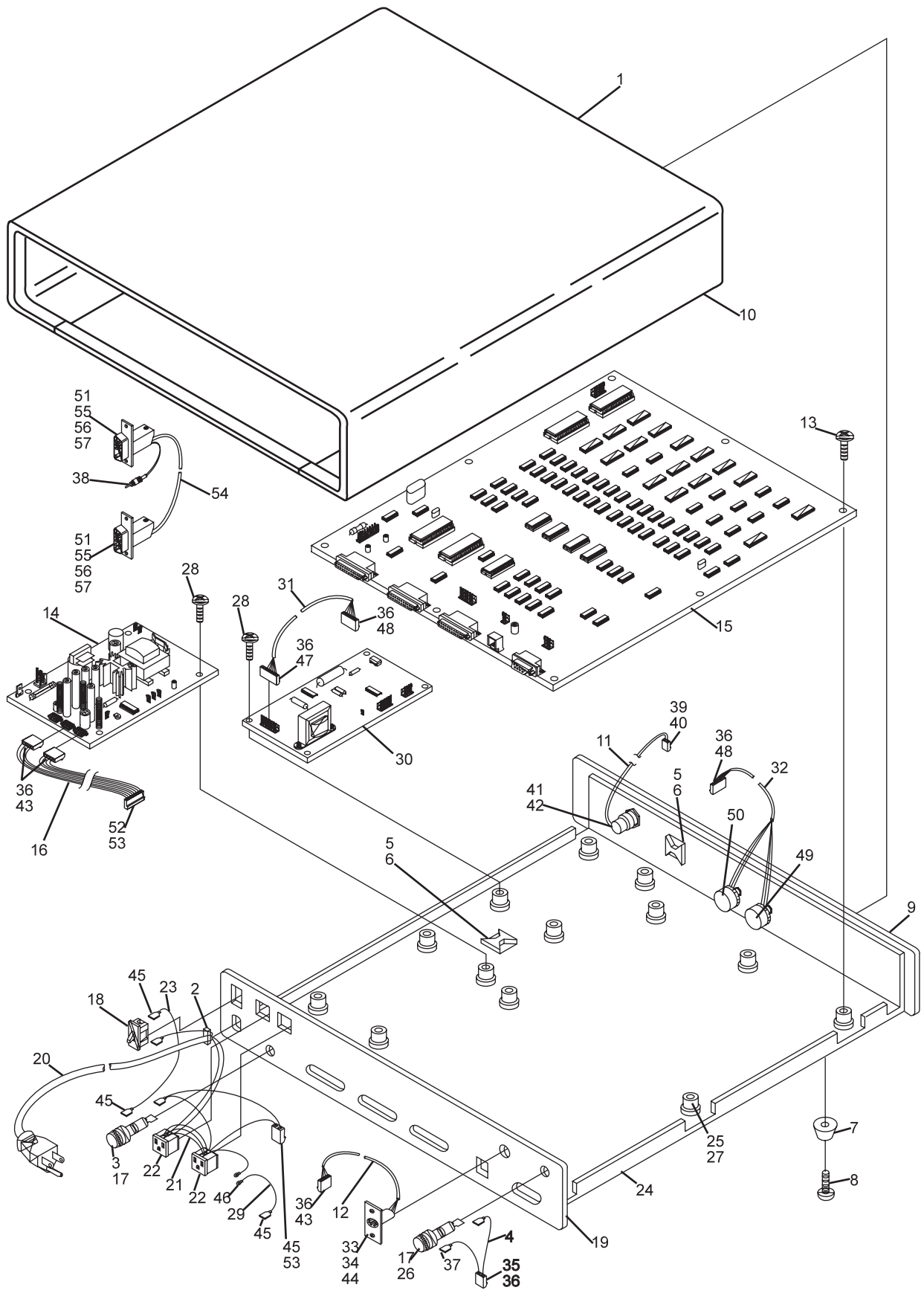
N.A. = No Longer Available

* You must contact Brunswick Customer Service to determine the correct software for your center. Call 1-800-YES-BOWL (1-800-937-2695)

Associated Interconnecting Cables

57-214182-000	Manager's Control Adapter Cable
67-860231-000	Office Computer Interface Cable

MC 1.5 Chassis for AS-90



MC 1.5 Chassis for AS-90

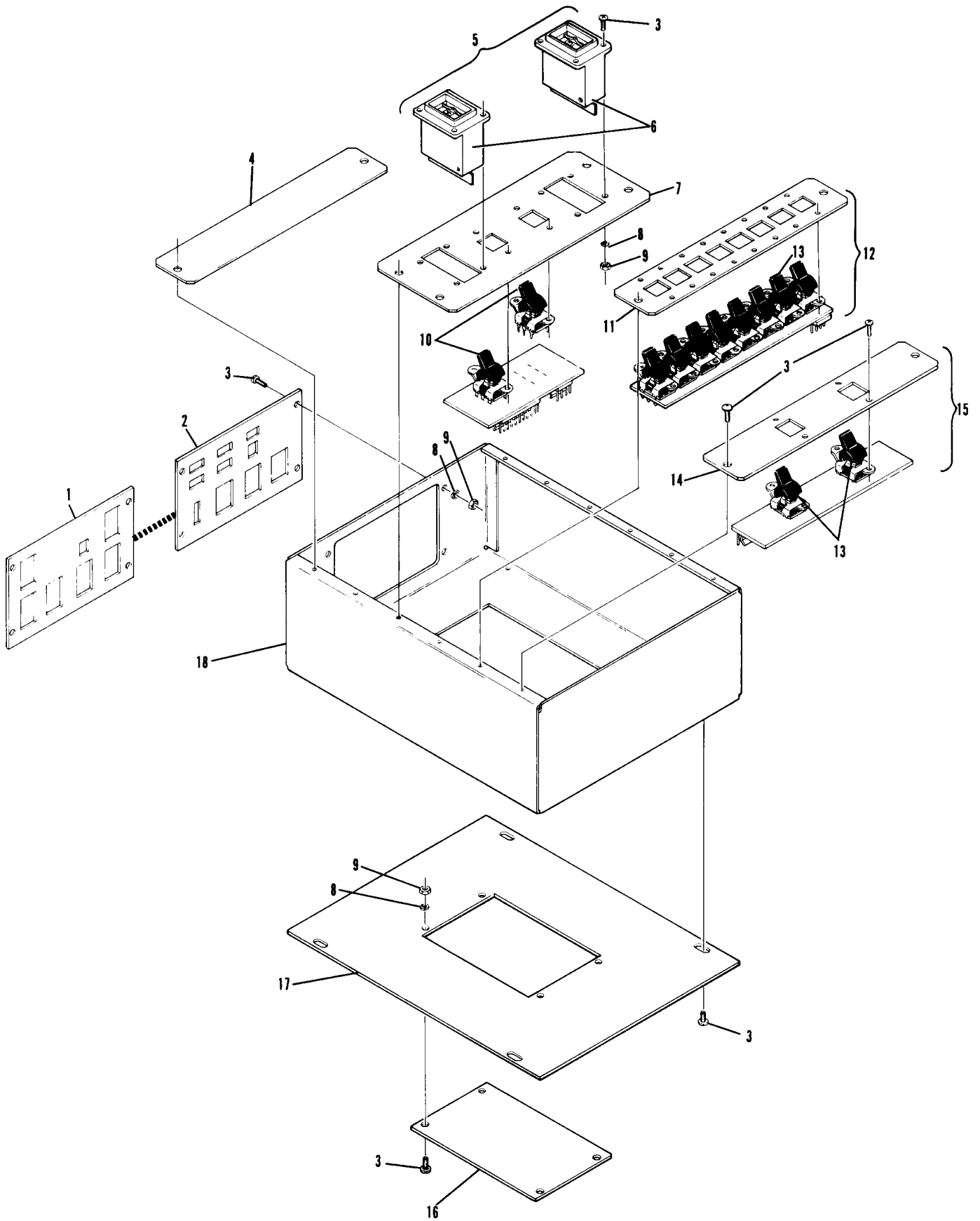
Index No.	Part No.	Description
1.	N.A.	Expansion Connector Plate
2.	N.A.	Connector Plate
3.	11-024045-001	T.Hd. C.R. Screw (#6-32 x 3/8")
4.	N.A.	Switch Plate (Blank)
5.	N.A.	Color Select PCB Assembly
6.	17-202241-000	Coded Switch
7.	N.A.	Switch Plate Only
8.	11-195006-001	Lockwasher (#6)
9.	11-125001-001	Hex Nut (#6-32)
10.	11-674969-000	Rocker Switch
11.	N.A.	Switch Plate - 8 Hole
12.	N.A.	Selection Board Assembly
13.	11-674968-000	Rocker Switch
14.	N.A.	Switch Plate - 2 Hole
15.	N.A.	Master Switch Plate Assembly
16.	N.A.	Blank Cover
17.	N.A.	Back Cover
18.	N.A.	Control Box Only

N.A. = No Longer Available

Associated Interconnecting Cables

57-214417-003	VCR Audio Cable (One to each Scorer Console)
57-214417-002	Single Video Control Cable (One to each Overhead)
57-214415-000	Video Select Control Cable (to End Overhead)
57-214433-000	Color Select Cable (to End Overhead)
57-214486-000	Video All Select (to End Overhead)
57-214484-000	Audio to House P.A.

Colorvision Control Box Assembly

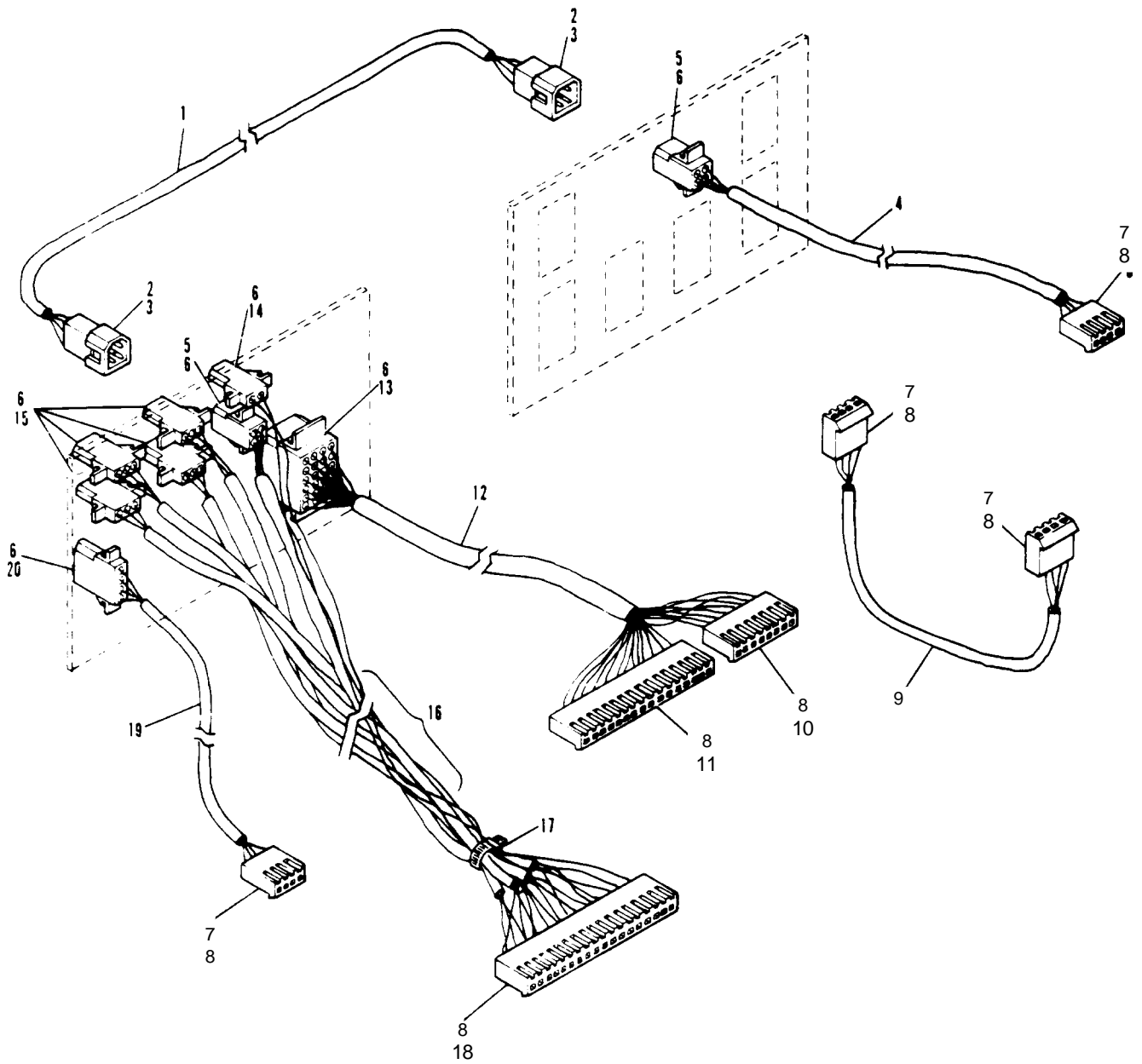


Colorvision Control Box Assembly

Index No.	Part No.	Description
1.	N.A.	Expansion Interconnect Cable
2.	11-680119-000	Connector Plug
3.	11-680302-000	Terminal
4.	N.A.	Manager's Control Expansion Cable
5.	11-680219-000	Connector
6.	11-680301-000	Terminal
7.	11-697202-000	Connector
8.	11-680322-000	Terminal
9.	N.A.	Switch Board Interconnect Cable
10.	11-697208-000	Connector
11.	11-697209-000	Connector
12.	57-214402-000	Control Box Cable Assembly
13.	N.A.	Connector
14.	N.A.	Connector
15.	11-680203-000	Connector
16.	57-214400-000	Control Box Master Switch Cable
17.	11-603108-000	Cable Tie
18.	11-697210-000	Connector
19.	57-214433-000	Color Select Switch Cable
20.	N.A.	Connector

N.A. = No Longer Available

Colorvision Control Box Cable Assemblies

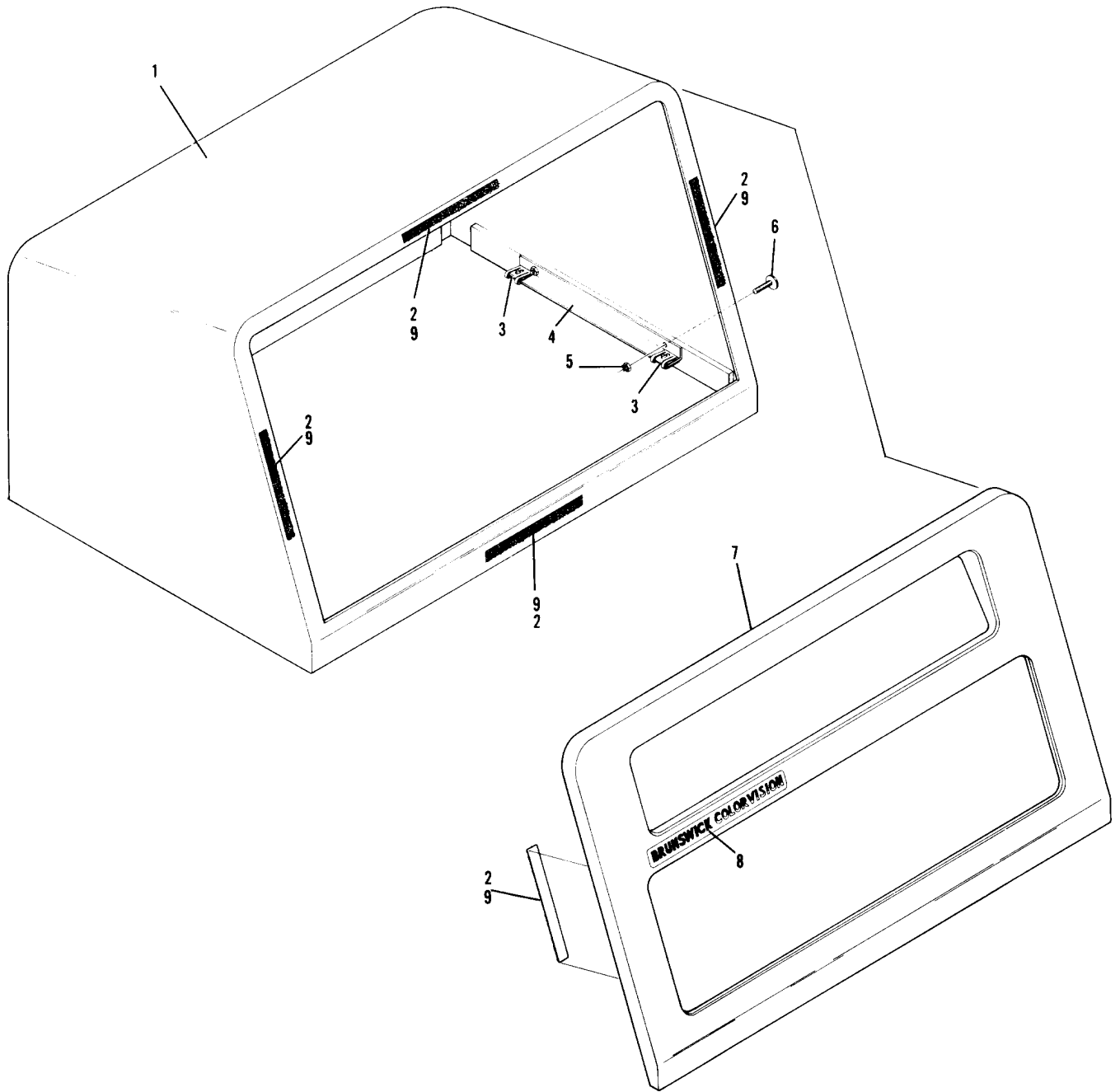


Colorvision Control Box Cable Assemblies

Index No.	Part No.	Description
1.	N.A.	Switch Box Hood Assembly
2.	N.A.	Velcro Loop
3.	57-214276-003	Key #4 Toolhead
4.	57-214473-000	Hood Mounting Bracket
5.	11-176000-001	Keps Nut (1/4-20)
6.	54-100107-002	Nib Screw (1/4-20 x 1-1/8")
7.	57-214477-000	Hood Faceplate
8.	57-214619-000	Colorvision Decal
9.	N.A.	Velcro Hook

N.A. = No Longer Available

Colorvision Video Control Console Cabinet



Colorvision Video Control Console Cabinet

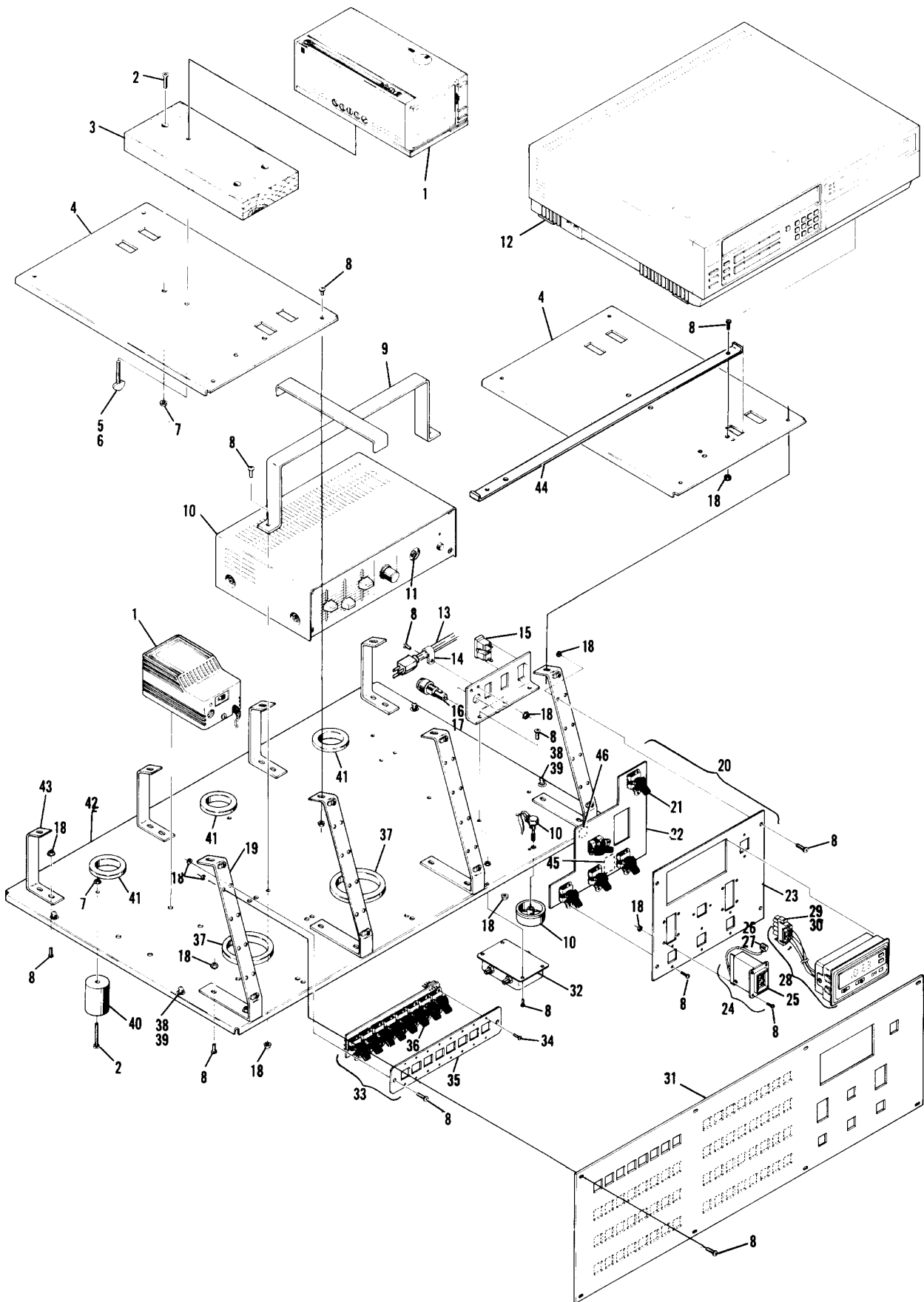
Index No.	Part No.	Description
1.	N.A.	Monitor Assembly w/AC Adapter (Brunswick Repair/Exchange)
2.	N.A.	Pan Hd. C.R. Screw (#10-32 x 1-1/2")
3.	N.A.	Monitor Mounting Block
4.	N.A.	Monitor Mounting Plate
5.	11-045022-001	Wing Bolt (1/4-20 x 1-1/2")
6.	11-176000-001	Keps Nut (1/4-20)
7.	11-176008-001	Keps Nut (#10-32)
8.	11-012272-001	Pan Hd. C.R. Screw (#6-32 x 3/8")
9.	N.A.	Amplifier Retaining Clamp
10.	N.A.	Amplifier Assembly (Brunswick Repair/Exchange)
11.	11-651019-000	Grommet
12.	57-860174-000	Front Loading VCR (Brunswick Repair/Exchange)
13.	17-600752-000	Service Cord Assembly
14.	11-605013-000	Cable Clamp
15.	N.A.	Receptacle
16.	11-685127-000	Fuse Holder
17.	11-684104-000	Slo Blo Fuse (1 Amp)
18.	11-176005-001	Keps Nut (#6-32)
19.	57-214610-000	Front Mounting Bracket
20.	N.A.	Power Panel Assembly (Brunswick Repair/Exchange)
21.	11-674969-000	Rocker Switch
22.	N.A.	Colorvision PCB Assembly
23.	N.A.	Color Select Switch Plate
24.	N.A.	Color Select Switch Assembly
25.	17-202241-000	Coded Switch Only
26.	N.A.	Connector
27.	11-680326-000	Terminal
28.	N.A.	Clock Assembly - Complete
29.	11-696703-000	Connector
30.	11-697185-000	Terminal
31.	N.A.	Front Switch Plate (8 Switch)
	N.A.	Front Switch Plate (16 Switch)
	57-214615-024	Front Switch Plate (24 Switch)
	N.A.	Front Switch Plate (32 Switch)
	N.A.	Front Switch Plate (40 Switch)
	57-214615-048	Front Switch Plate (48 Switch)
	N.A.	Front Switch Plate (56 Switch)
	N.A.	Front Switch Plate (64 Switch)
32.	57-214612-000	TV/VCR Switch
33.	N.A.	Selection Board Assembly - Complete
34.	N.A.	T. Hd. C.R. Screw (#6-32 x 3/8")
35.	N.A.	Switch Plate
36.	11-674968-000	Rocker Switch
37.	N.A.	Grommet (2-1/2")
38.	N.A.	Quarter Turn Fastener Stud
39.	11-537016-001	Retaining Ring
40.	N.A.	Rubber Foot
41.	N.A.	Grommet (1-1/2")
42.	N.A.	Base Plate
43.	N.A.	Rear Mounting Bracket
44.	57-214631-000	VCR Bracket
45.	11-697106-000	Transformer
46.	11-672519-000	Relay 12 Volt 3PDT

N.A. = No Longer Available

Associated Interconnecting Cables

57-214417-003	VCR Audio Cable (One to each Scorer Console)
57-214417-002	Single Video Control Cable (One to each Overhead)
57-214415-000	Video Select Control Cable (to End Overhead)
57-214433-000	Color Select Cable (to End Overhead)
57-214486-000	Video All Select Cable (to End Overhead)
57-214484-000	Audio to House P.A. Cable TV/Antenna Input (Bulk Cable - 75ohm coax with F59 connector)
57-214413-000	VCR to Overhead (Video) Cable

Colorvision Video Control Console



Colorvision Video Control Console

Index

No.	Part No.	Description
1.	57-214852-000	Power Supply Assembly
2.	11-693514-000	Potentiometer 100K Ohm
3.	11-001734-001	Screw
4.	57-214701-000	Keyswitch Key Assembly
5.	11-684013-000	Slo Blo Fuse (2.0 Amp)
6.	11-615477-000	Knob
7.	N.A.	Bridge Rectifier
8.	57-214860-003	Transformer 20 Volt
9.	57-214860-002	Transformer 10 Volt
10.	* N.A.	Mother Board
11.	57-214875-002	Guide Rail
12.	57-214875-009	PCB Retainer
13.	**57-860324-403	CPU Assembly (Brunswick Repair/Exchange)
14.	57-860323-625	DTS Interface Assembly (Brunswick Repair/Exchange)
15.	11-675428-000	Neon Lamp
16.	57-860193-000	Relay PCB (Brunswick Repair/Exchange)
17.	* N.A.	Bypass PCB
18.	11-615476-000	On/Off Switch
19.	11-697249-002	Replacement Key Only

N.A. = No Longer Available

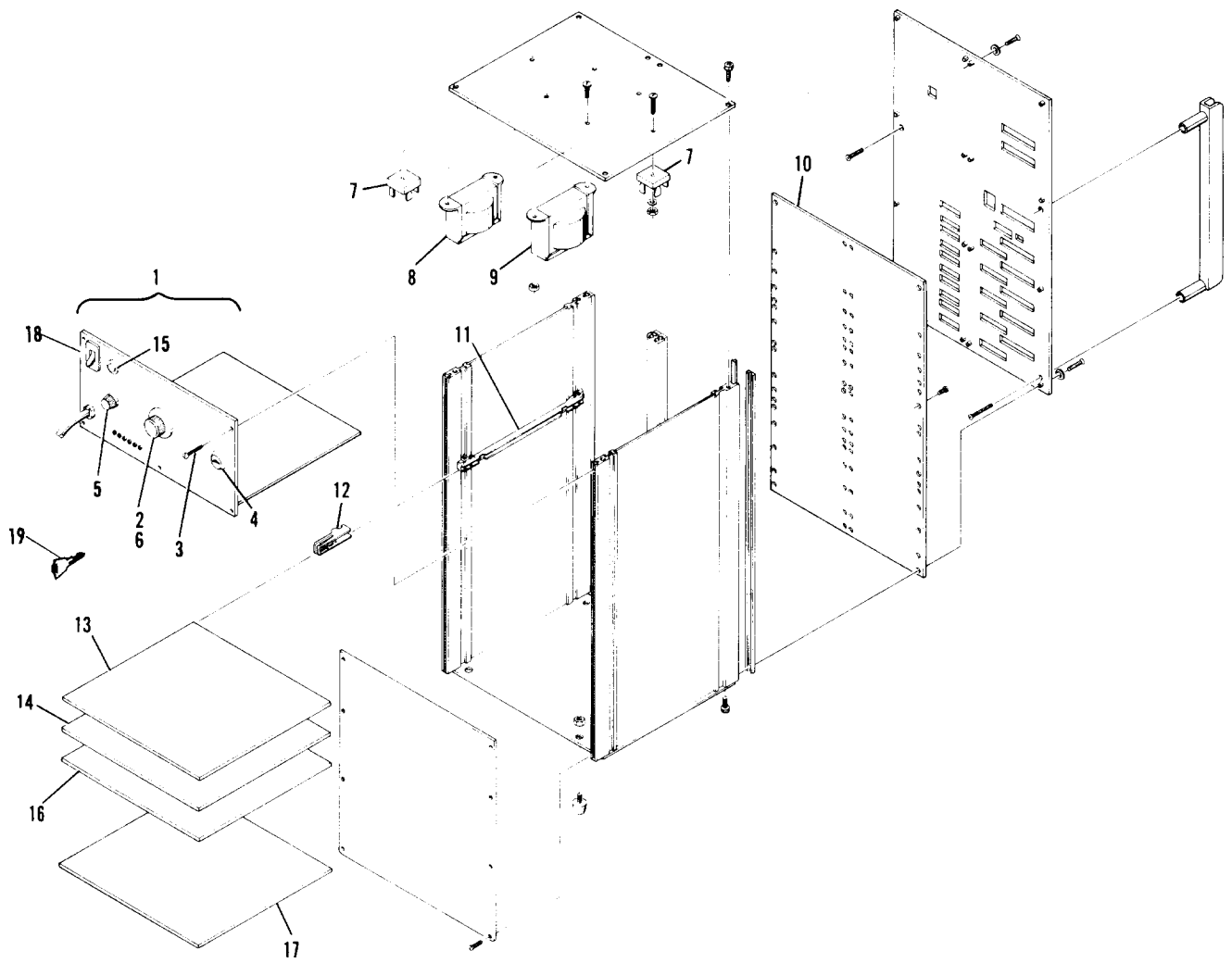
* Contact Electronic Repair Center, Muskegon, MI.

** You must contact Brunswick Customer Service to determine the correct software for your center. Call 1-800-YES-BOWL (1-800-937-2695)

Associated Interconnecting Cables

57-214580-000	Automatic Scorer Control Cable Assembly (One to each Console)
57-214883-000	Source Terminal (DTS) to Source Command Cable Assembly
57-214581-000	Automatic Pinsetter Control Cable Assembly (to A/P Control Box)
57-214858-000	VCR to Source Command Audio Cable Assembly
57-214582-000	AS-80 Console Audio Cable Assembly
57-214584-000	Source Control (MCC) Comline Jumper Cable Assembly
57-214583-000	Overhead Comline Cable Assembly (to End Overhead)
57-214182-000	Comline Adapter Cable Assembly
57-214743-010	Keypad Cable Assembly
57-214910-000	A/P Control Cable Assembly (to AMF Source Command Interface Box)

Source Command

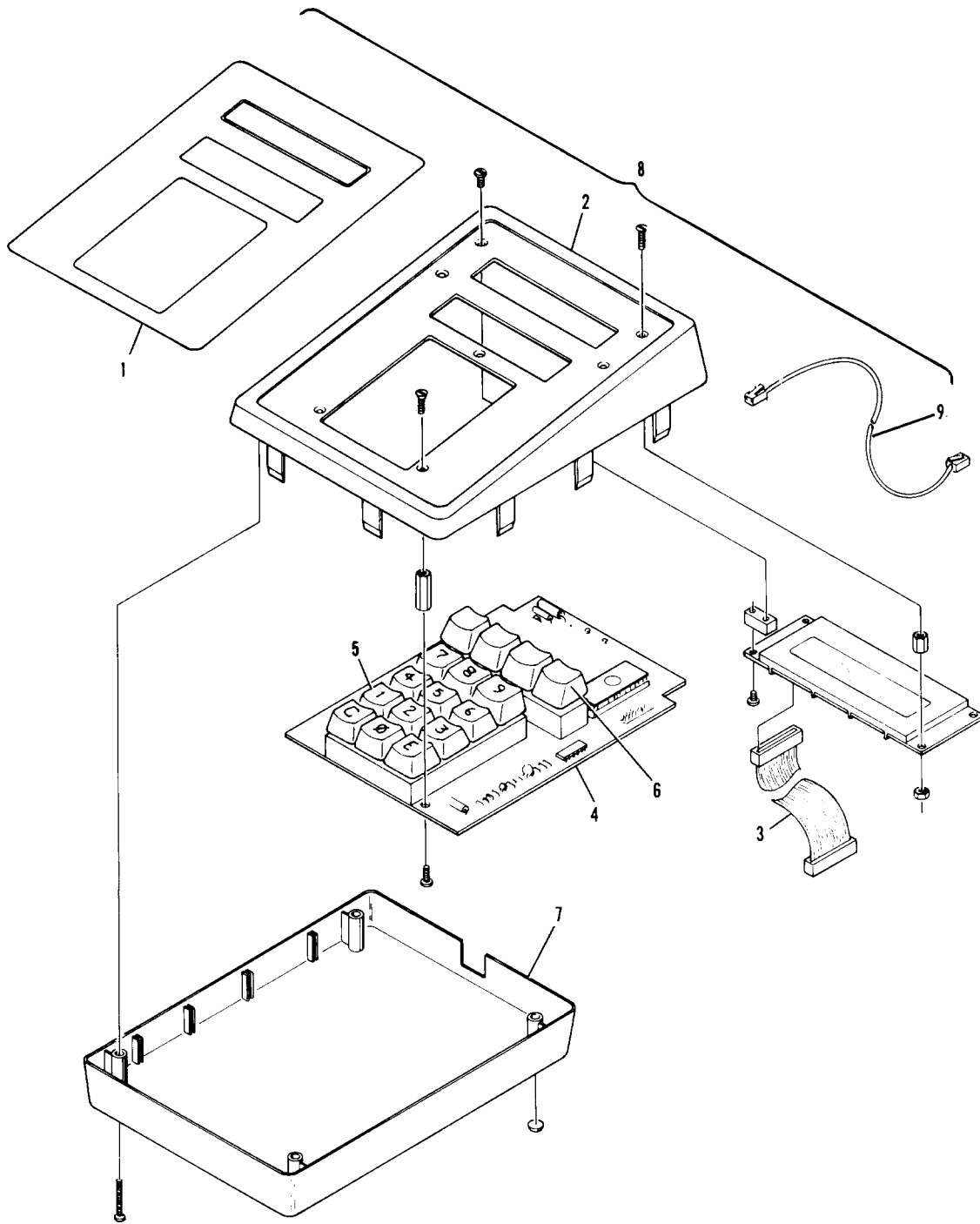


Source Command

Index No.	Part No.	Description
1.	N.A.	Keypad Decal
2.	N.A.	Top
3.	N.A.	Ribbon Cable Assembly - Complete
4.	N.A.	PCB Assembly - Complete
5.	N.A.	Keycap "C"
	N.A.	Keycap "0"
	N.A.	Keycap "E"
	N.A.	Keycap "1"
	N.A.	Keycap "2"
	N.A.	Keycap "3"
	N.A.	Keycap "4"
	N.A.	Keycap "5"
	N.A.	Keycap "6"
	N.A.	Keycap "7"
	N.A.	Keycap "8"
	N.A.	Keycap "9"
6.	N.A.	Keycap "Blank"
7.	N.A.	Bottom
8.	57-214851-000	Keypad Assembly - Complete (Brunswick Repair/Exchange)
9.	57-214743-010	Cable Assembly

N.A. = No Longer Available

Source Command Keypad



Source Command Keypad

Index

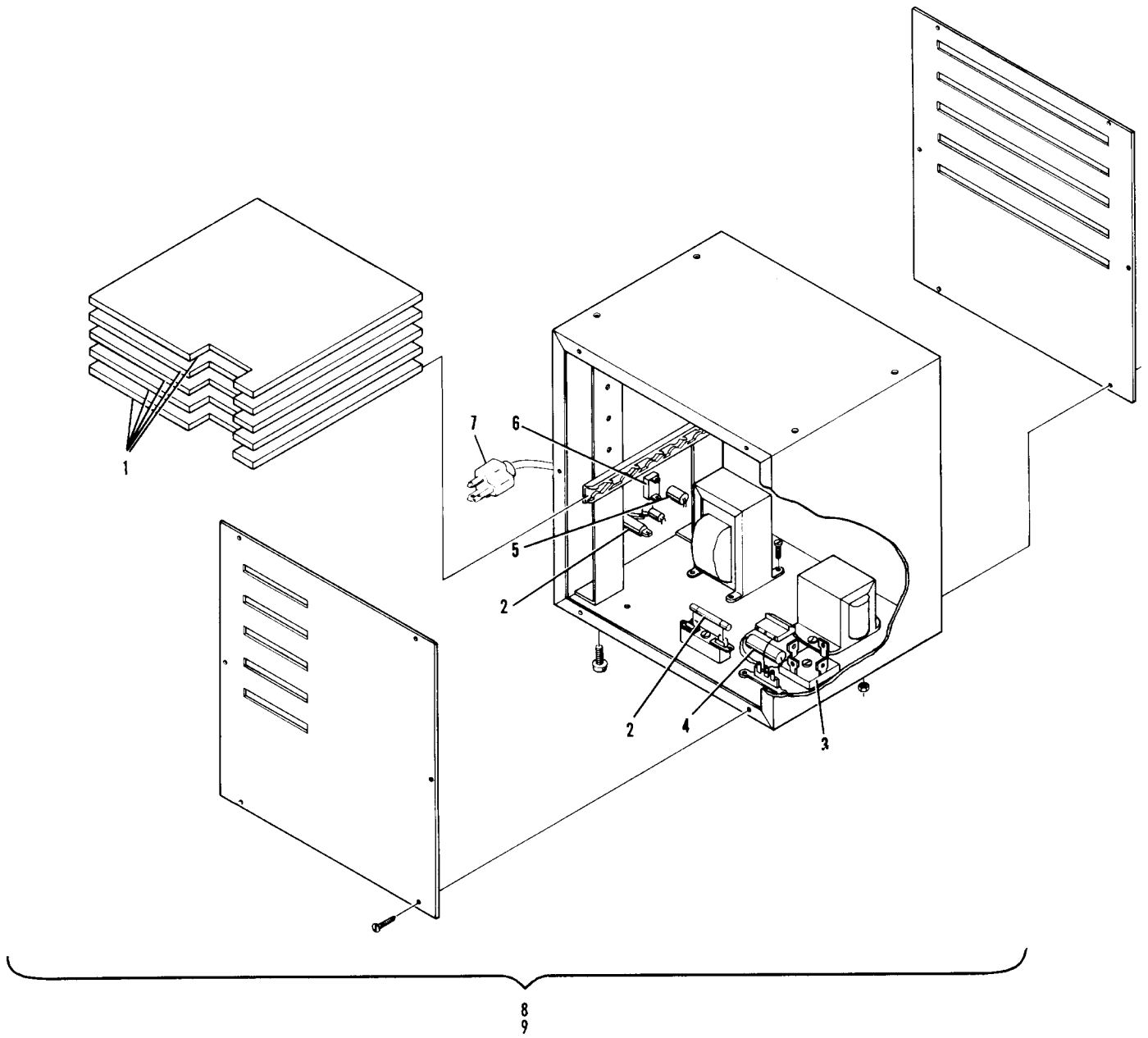
No.	Part No.	Description
1.	N.A.	PCB Assembly - Complete (Brunswick Repair/Exchange)
2.	11-685021-000	Fuse (2.0 Amp)
3.	N.A.	Bridge Rectifier
4.	11-696119-000	Capacitor
5.	N.A.	Light
6.	11-615476-000	Switch
7.	17-600752-000	Power Cord Assembly
8.	57-860231-000	AMF Interface Assembly - Complete (16 Lanes) (Brunswick Repair/Exchange)
9.	57-860314-000	AMF Interface Assembly - Complete (32 Lanes) (Brunswick Repair/Exchange)

N.A. = No Longer Available

Associated Interconnecting Cables

57-214910-000	Pinsetter Control Cable Assembly (to Source Command APC)
57-214913-000	AMF Pinspotter Control Cable Assembly (to AMF Switch Box)
57-214912-000	AS-80 Console Control Cable Assembly (One to each Console)

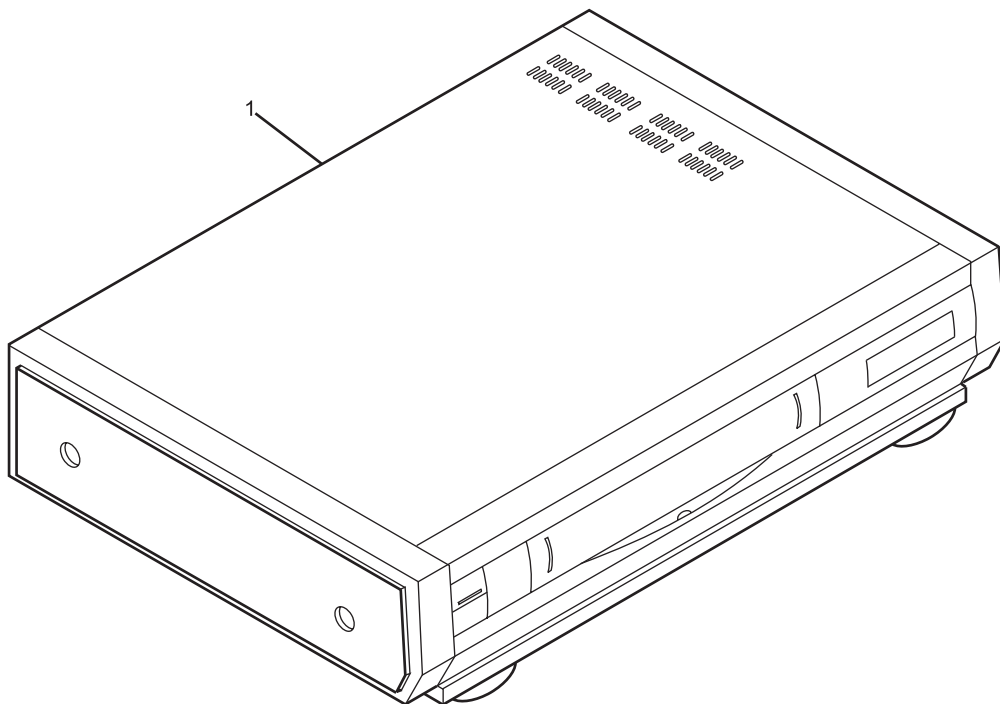
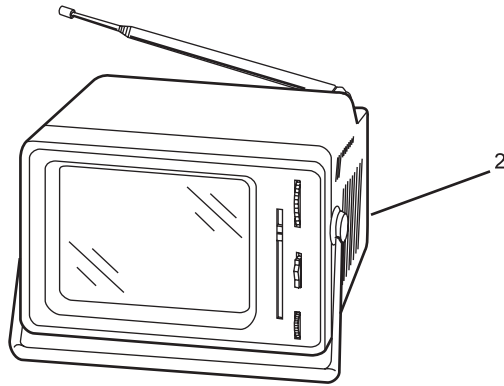
AMF Interface (for Source Command)



AMF Interface (for Source Command)

Index No.	Part No.	Description
1.	57-860174-000	Manager's VCR (Brunswick Repair/Exchange)
2.	57-860173-000	Audiovox 6" Color TV/Monitor (Model AVT-600) (Brunswick Repair/Exchange)

Manager's Video Cassette Recorder and TV/Monitor



Manager's Video Cassette Recorder and TV/Monitor

Index No.	Part No.	Description
1.	*68-860006-4xx	BowlerVision MCD Computer (Brunswick Repair/Exchange)
2.	*68-860076-4xx	BowlerVision MCD Computer (BNC Version) (Brunswick Repair/Exchange)
3.	68-100143-000	Line Cord
4.	11-685028-000	Fuse (1.8 Amp)
5.	N.A.	Bumper Pad
6.	68-860024-000	Hayes Modem

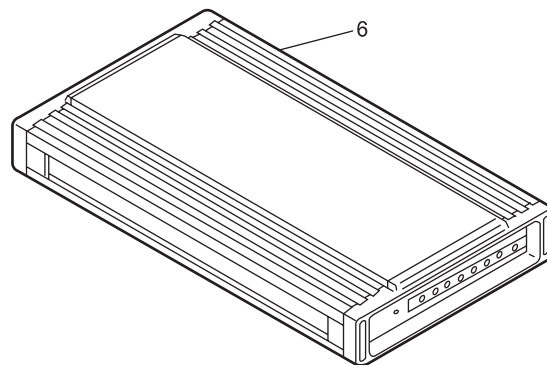
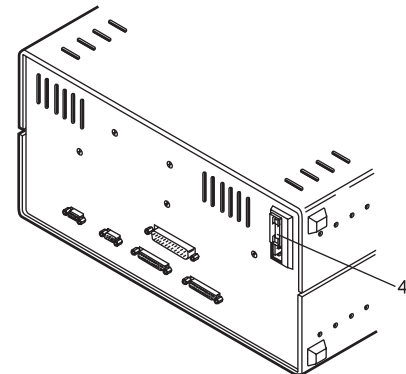
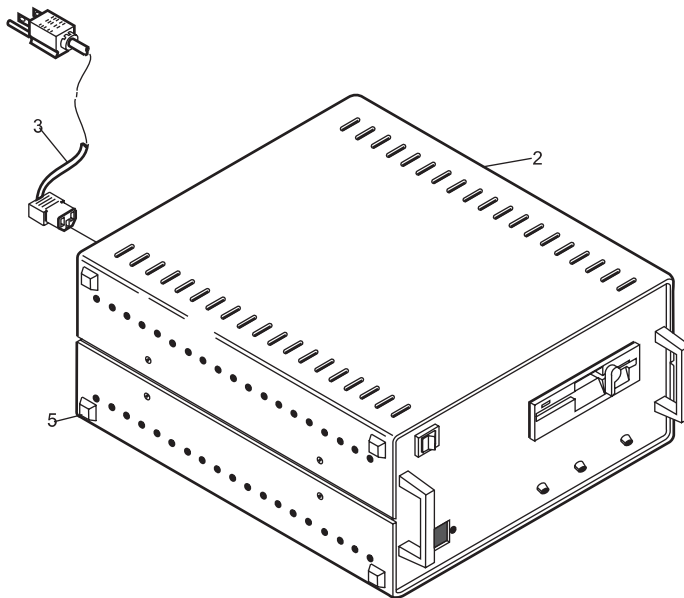
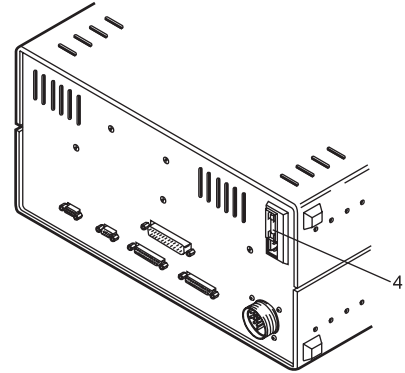
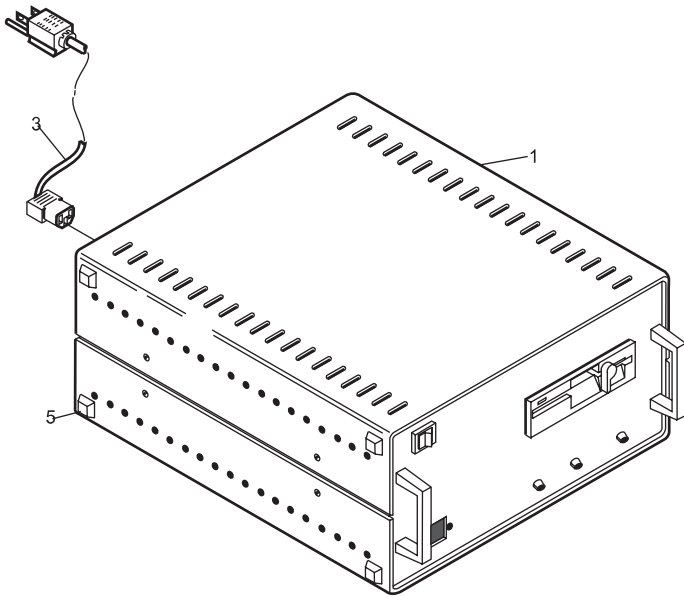
N.A. = No Longer Available

* You must contact Brunswick Customer Service to determine the correct software for your center. Call 1-800-YES-Bowl (1-800-937-2695).

Associated Interconnecting Cables

68-100210-000	Modem Ribbon Cable Assembly
68-100282-000	Master Comline Cable Assembly (Field Assembled)
68-100215-000	Local Comline "Y" Cable Assembly
68-100322-000	Local Comline Cable Assembly (1')
68-100211-000	Local Comline Cable Assembly (3')
68-100327-000	Local Comline Cable Assembly (15')
68-100325-000	RJ11 Adapter (to Wyse Computer)
27-619042-000	LRS Interface 4-Conductor Bulk Cable (Field Assembled)

BowlerVision MCD Computer and Modem



BowlerVision MCD Computer and Modem

Index

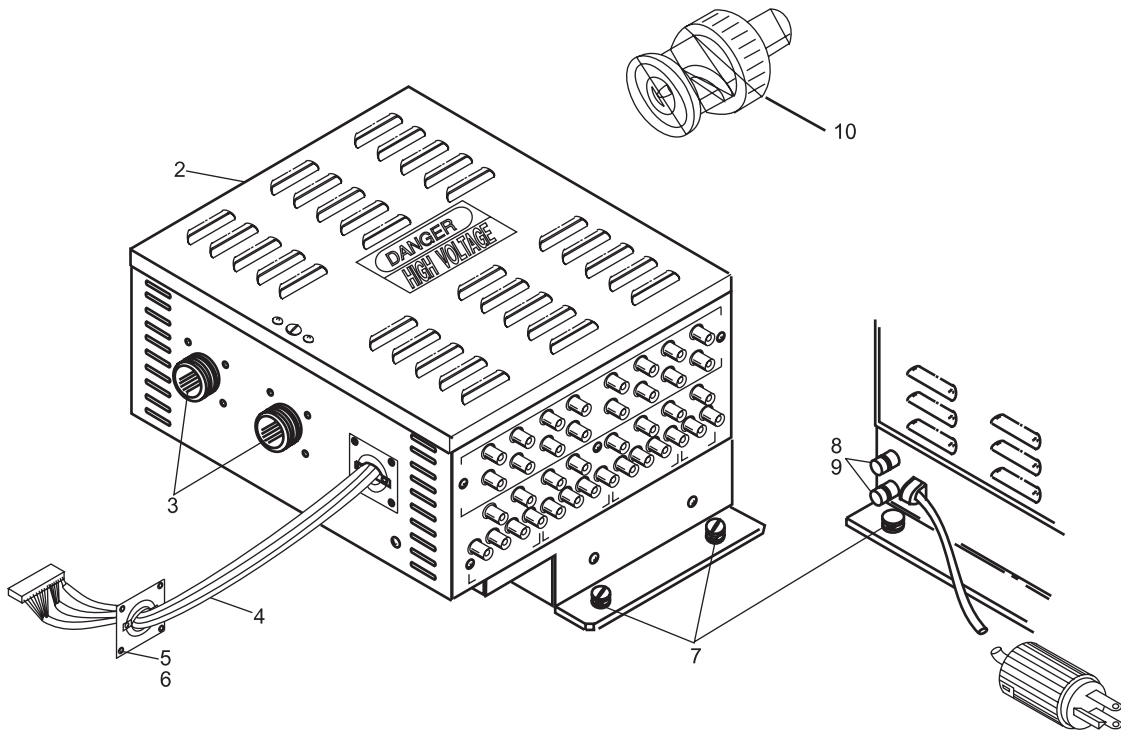
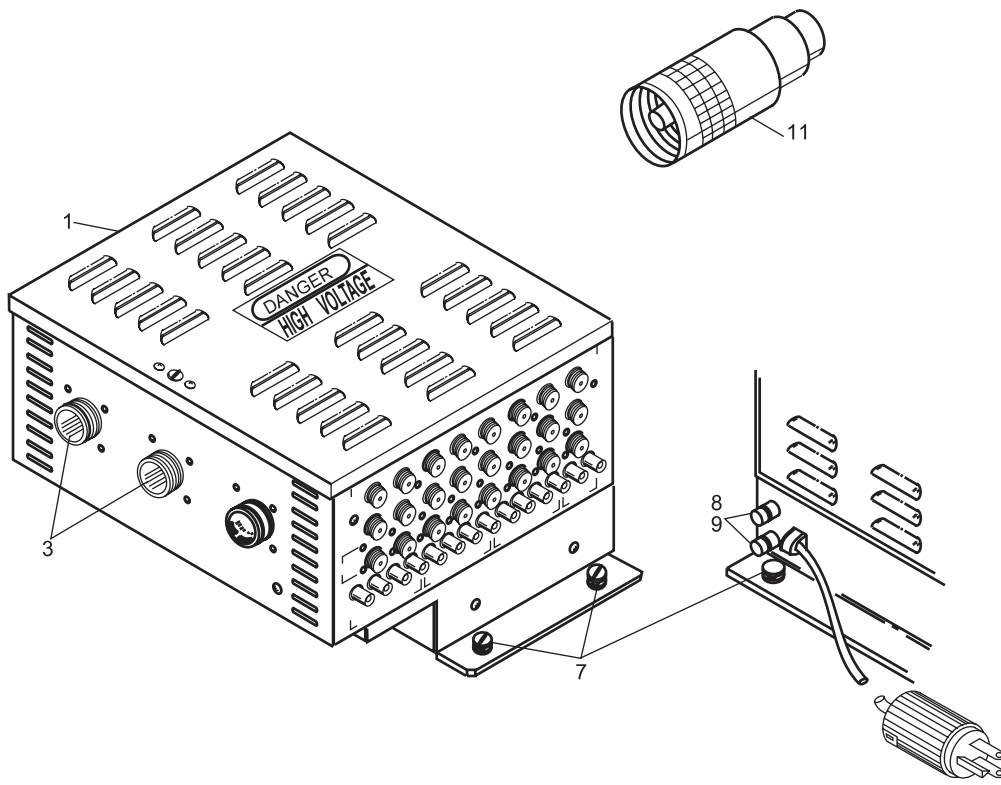
No.	Part No.	Description
1.	68-100400-000	Video Switcher (UHF - 115 VAC) (Brunswick Repair/Exchange)
2.	68-860072-000	Video Switcher (BNC - 115 VAC, 3 Monitor) (Brunswick Repair/Exchange)
3.	N.A.	Terminal
4.	68-100494-000	Cable Assembly
5.	11-176005-001	Keps Nut (#6-20)
6.	11-012274-001	Screw (#6-32 x 1/2")
7.	11-601800-000	Quick Lock Stud
8.	11-685126-000	Fuse Holder
9.	11-684011-000	Fuse
10.	11-696268-000	75 ohm Terminator (BNC style)
11.	11-696267-000	75 ohm Terminator (UHF style)

N.A. = No Longer Available

Associated Interconnecting Cables

68-100494-020	Fourth Monitor Video Cable Assembly
68-100503-000	Score Correct Cable Assembly (Field Assembled)
68-100503-000	Global Video Cable Assembly (Field Assembled)
68-100287-000	Global Audio Cable Assembly (to first Lane Pair Video Switcher) (Field Assembled)
68-100311-000	Audio "Out" Cable Assembly (Field Assembled)

Manager's Control Desk Video Switcher



Manager's Control Desk Video Switcher

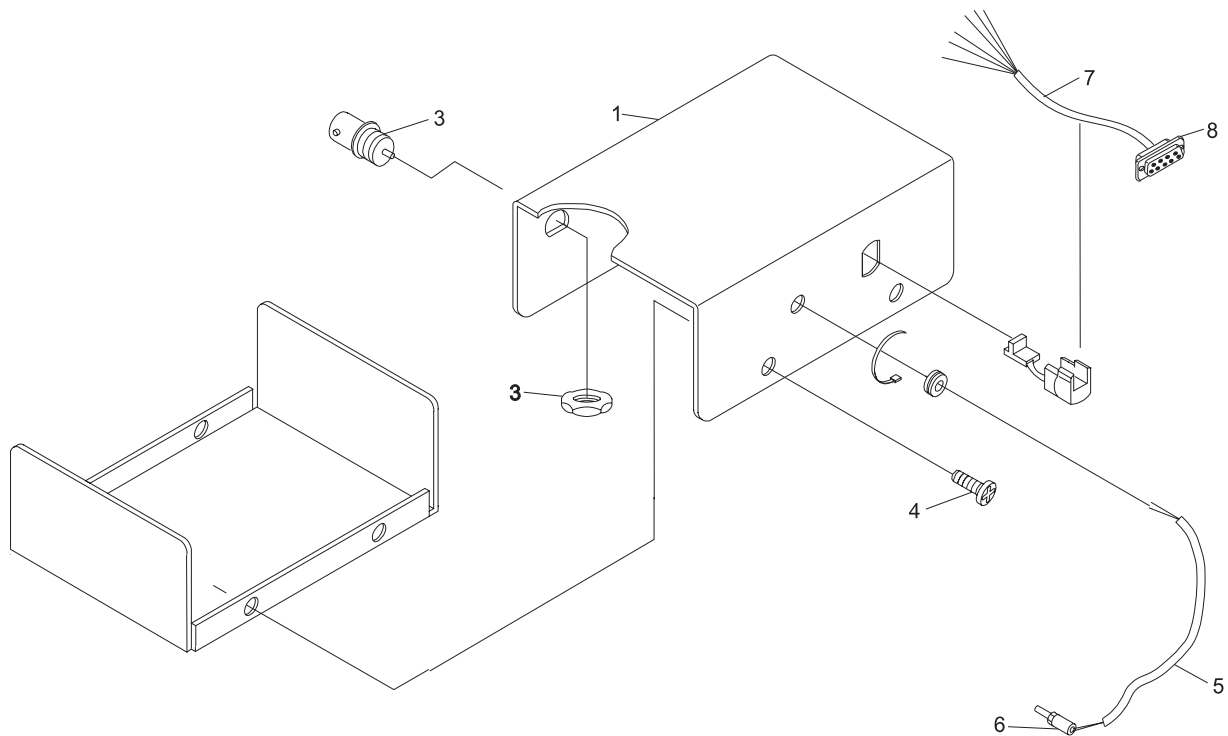
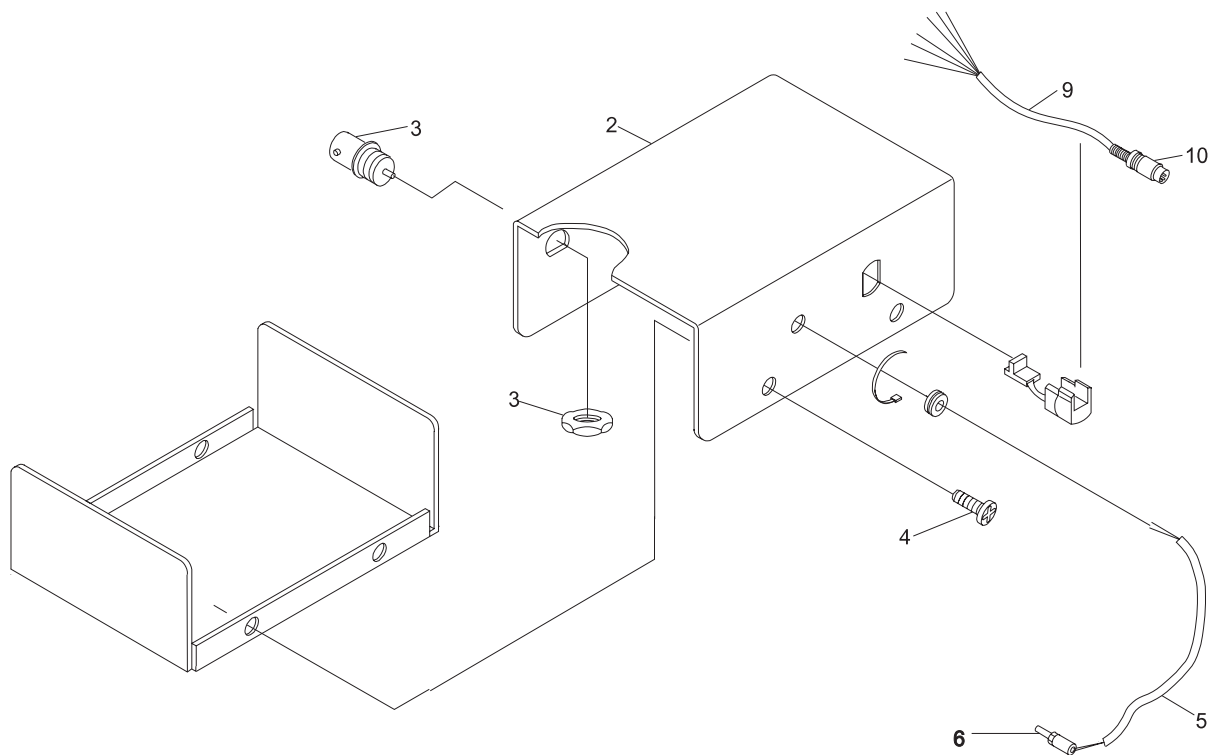
Index No.	Part No.	Description
1.	68-860109-000	BNC To "D" Type Adapter Assembly (Brunswick Repair/Exchange)
2.	68-860037-000	BNC To Din Adapter Assembly (Brunswick Repair/Exchange)
3.	N.A.	BNC Bulkhead Connector
4.	11-012270-001	Screw (#6-32 x 1/4")
5.	68-100372-000	Audio Cable Assembly
6.	11-681300-000	RCA Male Connector
7.	68-100578-000	"D" Type Cable Assembly
8.	11-680985-000	"D" Type Connector
9.	68-100371-000	Din Cable Assembly
10.	N.A.	Din Connector

N.A. = No Longer Available

Associated Interconnecting Cables

68-100503-000	Monitor Video Cable Assembly (Field Assembled)
---------------	--

BNC to MCD Monitor Adapter



BNC to MCD Monitor Adapter

Index No.	Part No.	Description
1.	68-100605-000	Playpad Keypad Assembly (English) (Brunswick Repair/Exchange)
	68-100562-000	Playpad Keypad Assembly (Japanese)
2.	N.A.	LED PCB Assembly (Brunswick Repair/Exchange)
3.	*68-100026-400	Control 1 PCB Assembly (English) (Brunswick Repair/Exchange)
	*68-100558-401	Control 1 PCB Assembly (Japanese)
4.	N.A.	Control 2 PCB Assembly (Brunswick Repair/Exchange)
5.	11-185317-000	Spacer
6.	11-198001-001	External Tooth Lockwasher
7.	68-100224-000	Cable Assembly
8.	11-697233-000	Connector
9.	11-680326-000	Terminal
10.	68-100227-000	Cable Assembly
11.	11-697613-000	Connector
12.	11-017041-001	Round Hd. C. R. Screw (#6-32 x 3/8")
13.	11-185318-000	Spacer
14.	68-100225-000	Cable Assembly
15.	11-697239-000	Connector
16.	68-100248-000	Ribbon Cable Assembly
17.	68-100478-000	Service Light Cable Assembly
18.	11-680116-000	Connector
19.	11-680302-000	Terminal
20.	68-100226-000	Cable Assembly
21.	11-697242-000	Connector
22.	68-100367-000	Cable Assembly
23.	11-697205-000	Connector
24.	11-680322-000	Terminal
25.	11-680107-000	Connector
26.	N.A.	Playpad Backing Plate
27.	N.A.	Upper Keyboard Membrane Overlay (English)
	N.A.	Upper Keyboard Membrane Overlay (Japanese)
28.	N.A.	Lower Keyboard Membrane Overlay (English)
	N.A.	Lower Keyboard Membrane Overlay (Japanese)
29.	N.A.	Upper Keyswitch Array
30.	N.A.	Lower Keyswitch Array (English)
	N.A.	Lower Keyswitch Array (Japanese)
31.	11-192009-000	Nylon Washer (.156 I.D. x .31 O.D.)
32.	68-860004-000	Power Supply Assembly (12 Volt - 3.4 Amp) (Brunswick Repair/Exchange)
33.	11-685127-000	Fuse Holder
34.	11-684018-000	Fuse (125 Volt - 1/2 Amp)
35.	N.A.	Bumper Pad
36.	68-100143-000	Line Cord
37.	11-685126-000	Fuse Holder
38.	11-685012-000	Fuse (1/2 Amp)
39.	11-176005-001	Keps Nut (#6-32)
40.	N.A.	Frame Assembly
41.	N.A.	Washer Nylon
42.	68-860114-400	Manager's Playpad Assembly (External Power Supply)
43.	68-860106-400	Manager's Playpad Assembly (Internal Power Supply)

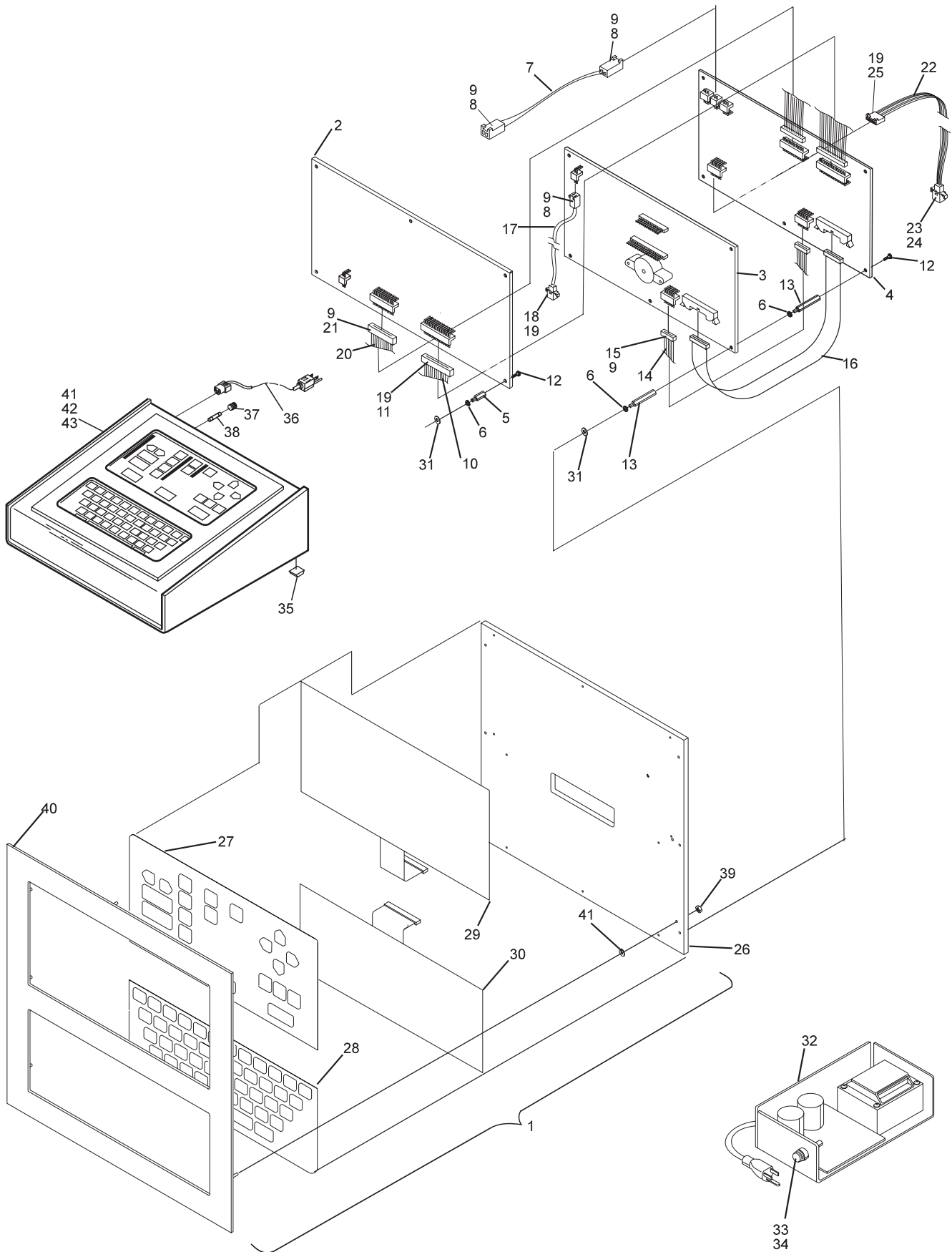
N.A. = No Longer Available

* You must contact Brunswick Customer Service to determine the correct software for your center. Call 1-800-YES-BOWL (1-800-937-2695)

Associated Interconnecting Cables

68-100209-000	Local Comline Terminator
68-100322-000	Local Comline Cable Assembly (1')
68-100211-000	Local Comline Cable Assembly (3')
68-100327-000	Local Comline Cable Assembly (15')

MCD Playpad



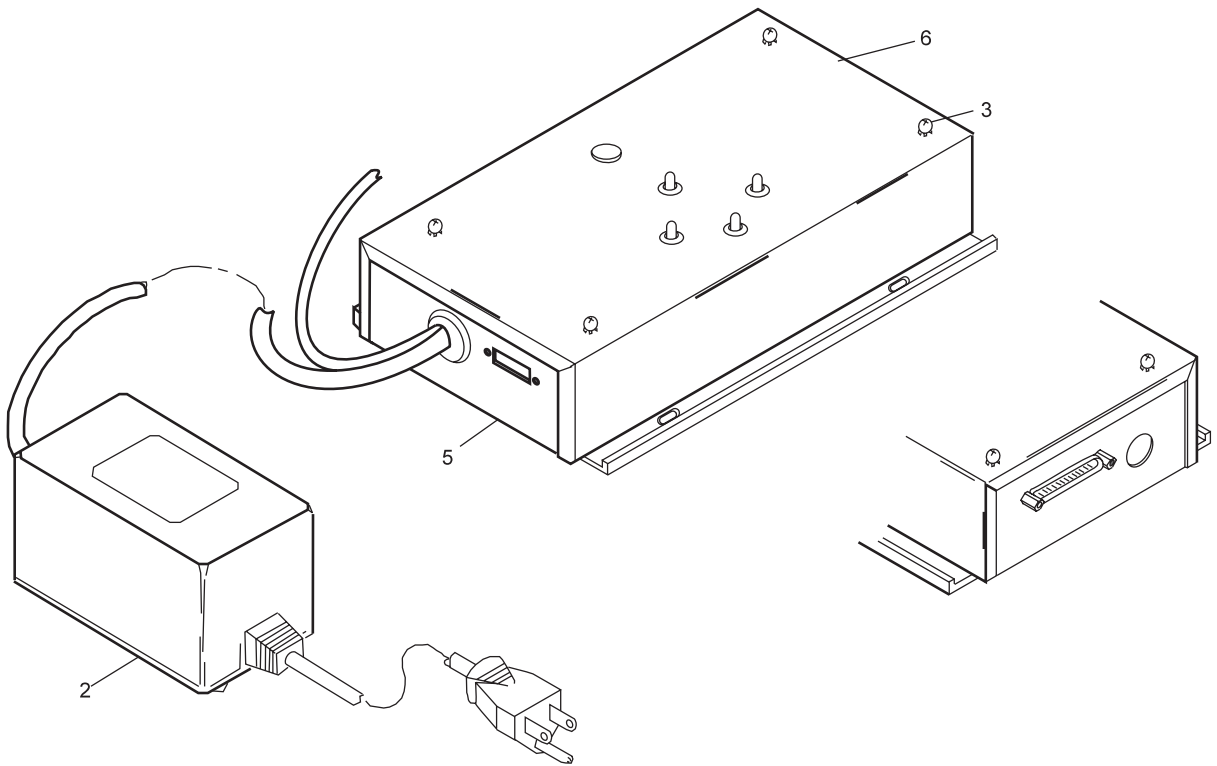
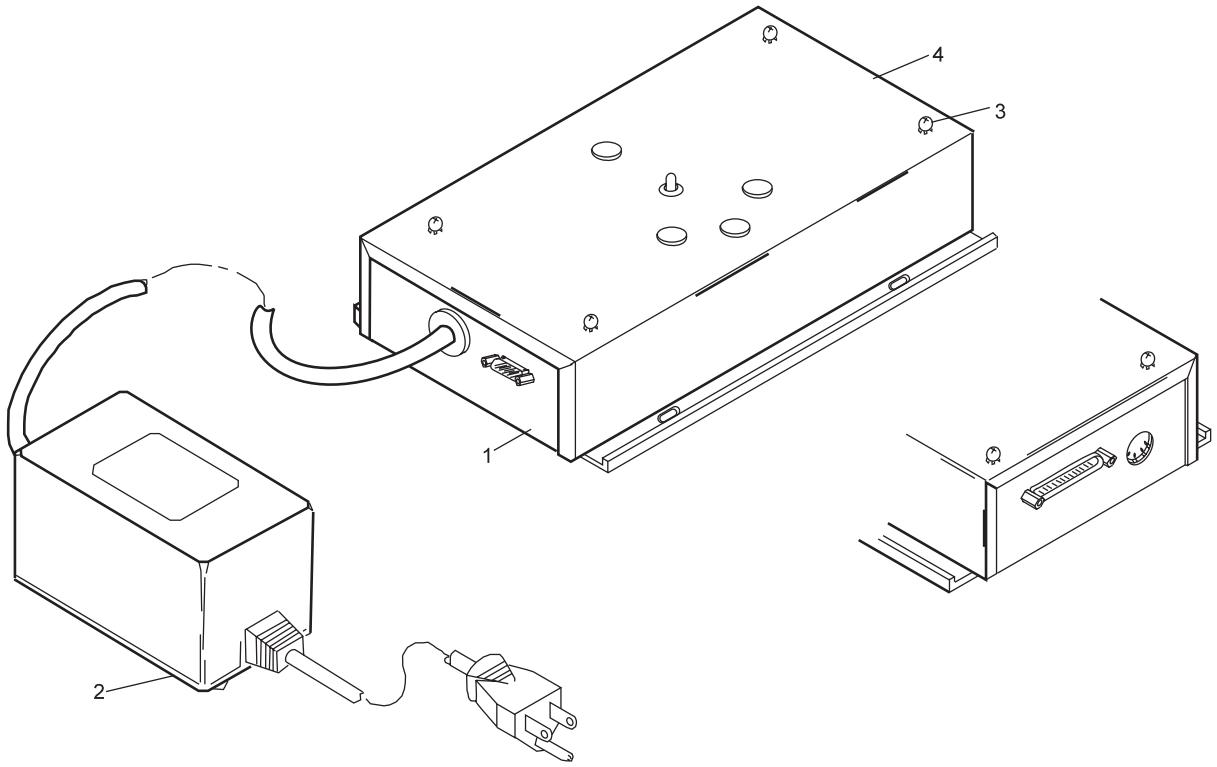
MCD Playpad

Index No.	Part No.	Description
1.	68-860017-402	Local Comline Adapter (Brunswick Repair/Exchange)
2.	68-100083-000	External Power Supply
3.	11-017041-001	Rd. Hd. C. R. Screw w/ Lockwasher (#6-32 x 3/8")
4.	N.A.	Cover
5.	68-860016-400	DTS Interface (Brunswick Repair/Exchange)
6.	N.A.	Cover

Associated Interconnecting Cables

68-100297-000	Laser Disk Player to RS232 Comline Cable Assembly
68-100322-000	Local Comline Cable Assembly (1')
68-100211-000	Local Comline Cable Assembly (3')
68-100327-000	Local Comline Cable Assembly (15')
68-100334-000	Printer to RS232 Comline Cable Assembly
27-619042-000	Cash Interface Cable Assembly (Field Assembled)
68-100325-000	RJ11 Adapter
68-100333-000	DTS to RS232 Comline Cable Assembly

BowlerVision Local Comline Adapter (RS232) and DTS Interface



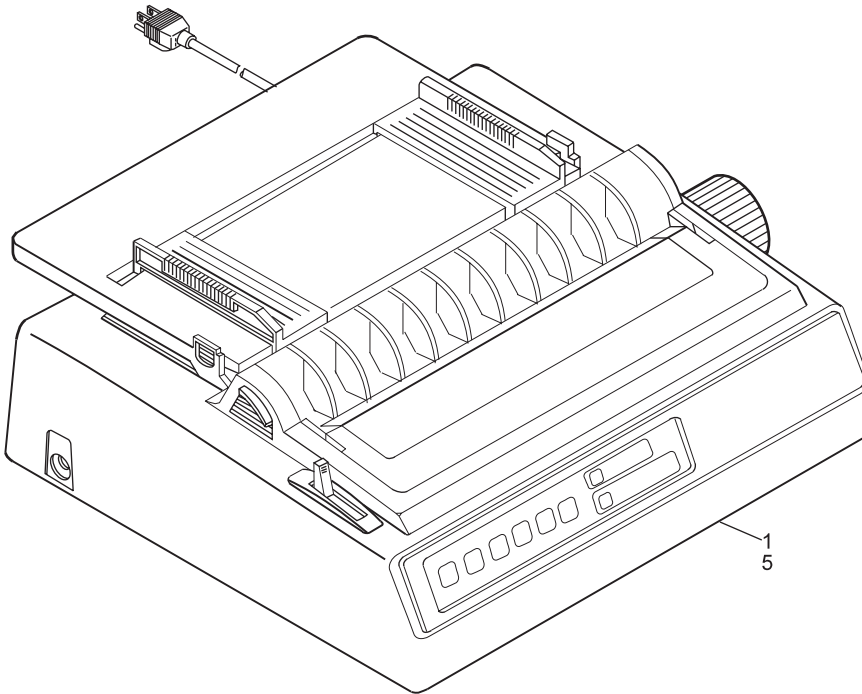
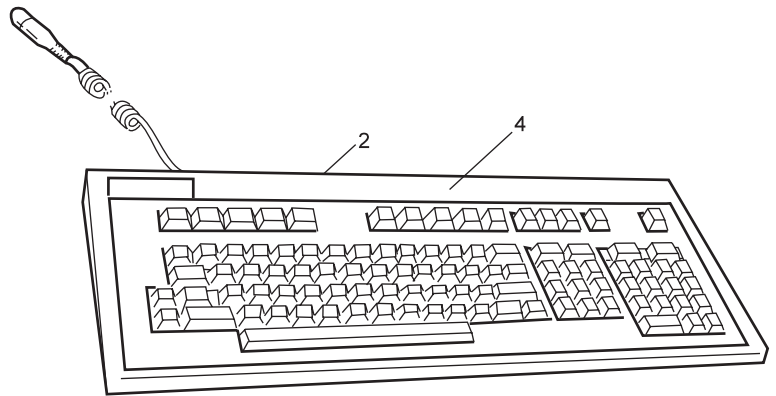
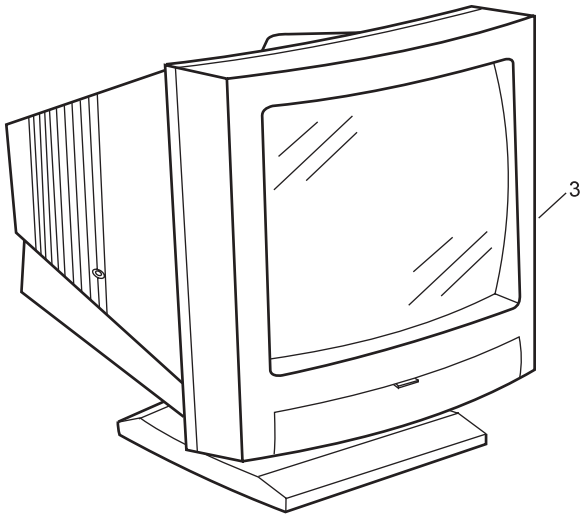
**BowlerVision Local Comline Adapter (RS232)
and DTS Interface**

Index

No.	Part No.	Description
1.	68-860009-010	Bowlervision Printer (Brunswick Repair/Exchange)
2.	68-860011-000	BowlerVision Keyboard (Brunswick Repair/Exchange)
3.	57-860273-000	BowlerVision Monitor (Brunswick Repair/Exchange)
4.	68-100285-000	MCD Keyboard Label
5.	57-860612-000	Ribbon

Associated Interconnecting Cables

68-100334-000	Printer to RS232 Comline Cable Assembly
---------------	---



Bowlervision Printer, Keyboard, and Monitor

Index No.	Part No.	Description
1.	57-860366-000	Control Desk Cash Drawer (with Keys)
2.	57-860564-000	Cash Drawer Insert
3.	57-860368-000	Control Desk Terminal
4.	57-860367-000	Control Desk Keyboard
5.	N.A.	Mylar Strip
6.	57-860367-040	Lane Off
7.	57-860367-041	Lane On
8.	57-860367-042	Rate
9.	57-860367-043	Prepaid
10.	57-860367-064	Payment Type
11.	N.A.	Shoes
12.	57-860367-037	Rate B
13.	57-860367-038	Senior Rate
14.	57-860367-039	Junior Rate
15.	57-860367-058	Rate C
16.	57-860367-059	Rate D
17.	57-860367-060	League
18.	57-860367-096	Thru
19.	57-860367-103	Reset
20.	57-860367-104	Plu
21.	57-860367-105	Cash
22.	57-860367-093	Void
23.	57-860367-076	Tax Xcpt
24.	57-860367-077	Adjust
25.	57-860367-078	Trouble Call
26.	57-860367-055	Tourn
27.	57-860367-056	Pract
28.	57-860367-023	Master Reset
29.	57-860367-024	Shift Report
30.	57-860367-025	Emerg Off
31.	57-860367-026	Paid Out
32.	57-860367-027	Lane Term
33.	57-860367-028	Concourse
34.	57-860367-029	Debts !
35.	57-860367-030	Table "
36.	57-860367-031	Xfer #
37.	57-860367-032	Hold \$
38.	57-860367-033	Sheet %
39.	57-860367-034	Show -
40.	57-860367-035	Games +
41.	57-860377-000	Control Desk Receipt Printer Package (with Convertor Box)
42.	57-860377-001	Control Desk Receipt Printer
43.	57-860377-002	Receipt Printer Convertor Box
44.	57-860377-003	Power Supply
45.	57-860412-000	Roll of Paper
46.	57-860757-000	Receipt printer Ribbon

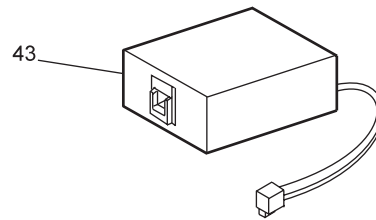
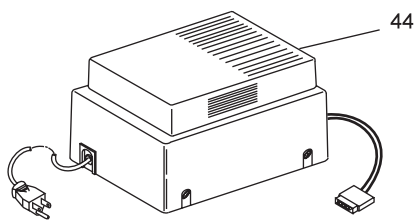
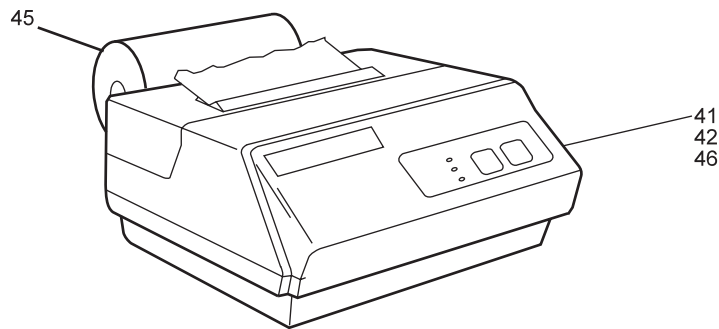
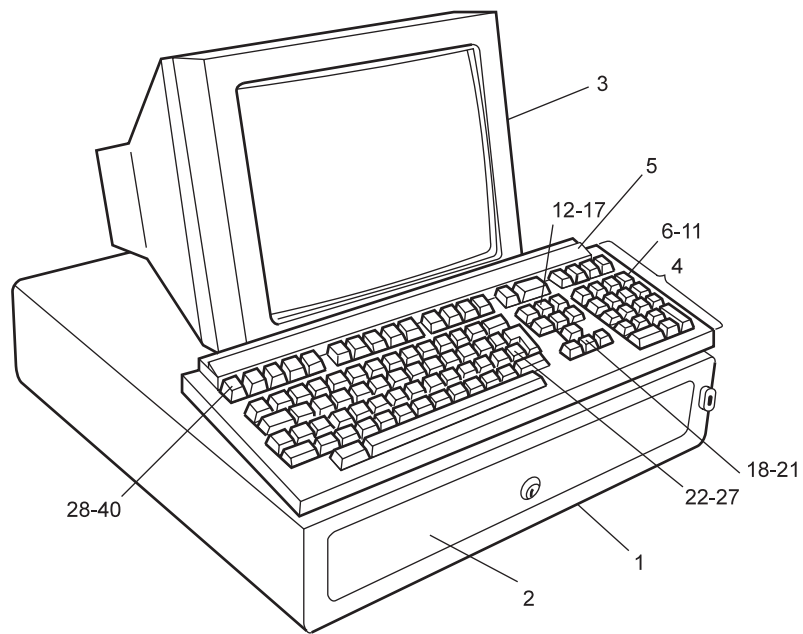
N.A. = No Longer Available

Associated Interconnecting Cables

57-215284-000	Data Cable to Wyse Computer
N.A.	Data Cable (Monitor to Receipt Printer)
N.A.	Control Desk Terminal to Receipt Printer Convertor Box

Command Network

Control Desk Cash Drawer, Terminal, and Keyboard and Control Desk Receipt Printer with Convertor Box



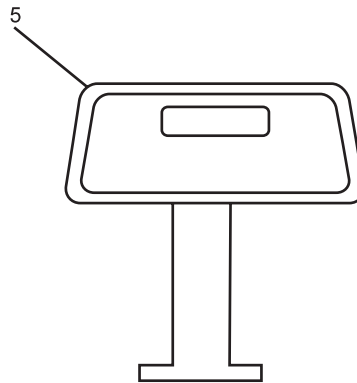
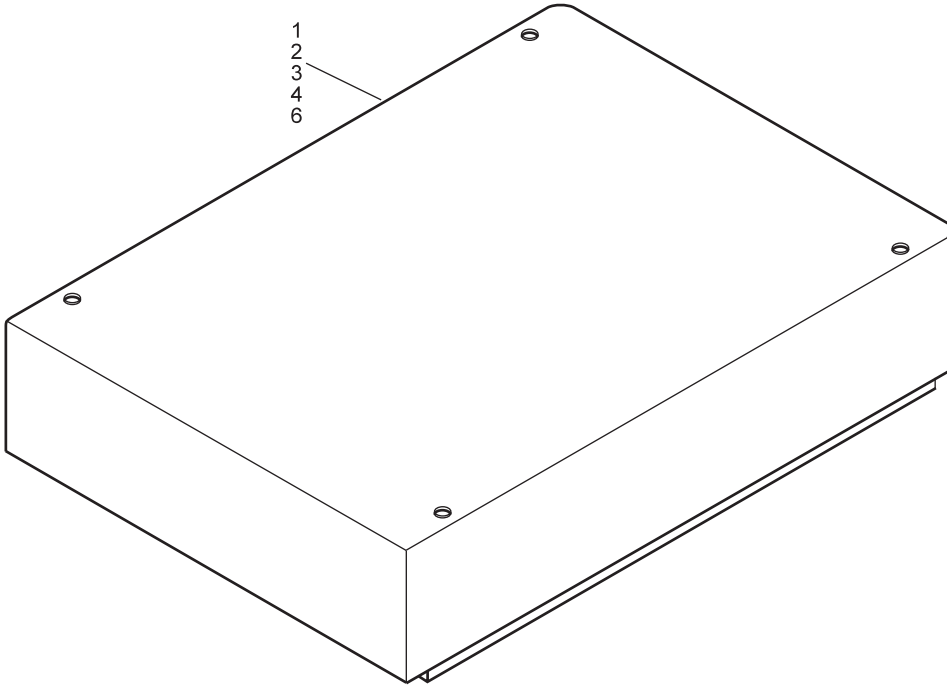
**Command Network
Control Desk Cash Drawer, Terminal, and Keyboard
and Control Desk Receipt Printer with Convertor Box**

Index No.	Part No.	Description
1.	57-860370-032	Lane Interface Unit (Up to 32 Lanes) (Brunswick Repair/Exchange)
2.	57-860370-064	Lane Interface Unit (Up to 64 Lanes) (Brunswick Repair/Exchange)
3.	57-860370-096	Lane Interface Unit (Up to 96 Lanes) (Brunswick Repair/Exchange)
4.	57-860370-128	Lane Interface Unit (Up to 128 Lanes) (Brunswick Repair/Exchange)
5.	57-860393-000	Control Desk Customer Display
6.	57-860826-000	LIU Frame Meter Connection

Associated Interconnecting Cables

57-215284-000	Comline to Wyse Computer Cable Assembly
57-215288-000	6-Conductor Cable to A/P Switch Box

Lane Interface Unit and Customer Display



Lane Interface Unit and Customer Display

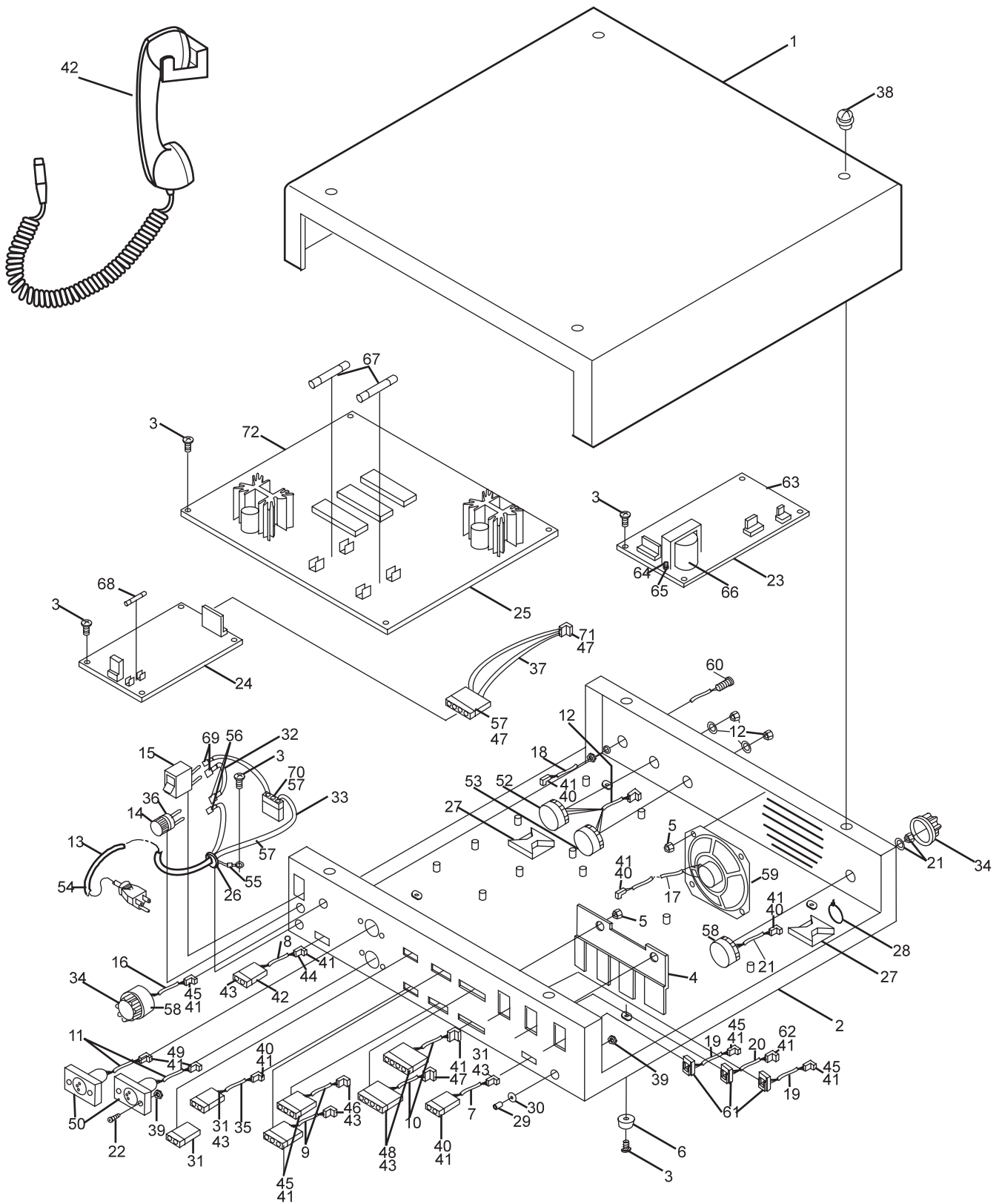
Index No.	Part No.	Description	Index No.	Part No.	Description
1.	N.A.	Cover	39.	11-124000-001	Hex Nut (#4-40)
2.	N.A.	Base	40.	11-697233-000	Connector
3.	11-012274-001	Screw (#6-32 x 1/2")	41.	11-680326-000	Terminal
4.	N.A.	Phone Jack Bracket	42.	57-860320-000	Handset with Adapter Cables and Hardware (Brunswick Repair/Exchange)
5.	11-176009-001	Keps Nut (#4-40)			
6.	57-214708-000	Bumper Pad			
7.	57-215198-000	Cable Assembly			
8.	N.A.	Cable Assembly	43.	11-697186-000	Terminal
9.	57-215197-000	Cable Assembly	44.	N.A.	Connector
10.	57-215196-000	Cable Assembly	45.	11-697237-000	Connector
11.	57-215203-000	Cable Assembly	46.	N.A.	Connector
12.	57-214707-000	Cable Assembly	47.	11-697238-000	Connector
13.	N.A.	Line Cord	48.	N.A.	Connector
14.	11-685126-000	Fuse Holder	49.	11-697234-000	Connector
15.	N.A.	Switch Assembly	50.	11-697248-000	XLR Connector
16.	N.A.	Cable Assembly	51.	11-697232-000	Connector
17.	N.A.	Cable Assembly	52.	11-693512-000	Potentiometer (1K Ohm)
18.	N.A.	Cable Assembly	53.	11-693513-000	Potentiometer (10K Ohm)
19.	N.A.	Cable Assembly			
20.	N.A.	Cable Assembly	54.	17-600870-000	Line Cord
21.	N.A.	Cable Assembly	55.	11-612011-000	Ring Terminal
22.	11-014002-001	Flat Hd. C. R. Screw (#4-40 x 7/16")	56.	11-612152-000	Insulated Receptacle
23.	57-860289-000	PC Board Assembly (Brunswick Repair/Exchange)	57.	11-680322-000	Terminal
24.	57-215193-000	Power Supply Assembly (Brunswick Repair/Exchange)	58.	11-693521-000	Potentiometer
25.	57-860630-000	SIU PCB Assembly	59.	11-690500-000	Speaker
26.	11-611009-000	Strain Relief Bushing	60.	N.A.	LED Light
27.	11-697051-000	Mounting Clamp	61.	N.A.	Phone Jack Assembly
28.	11-603108-000	Cable Tie	62.	11-697216-000	Connector
29.	11-681301-000	Female Phone Jack	63.	N.A.	PC Board
30.	11-192015-000	Nylon Washer	64.	11-012273-001	Screw (#6-32 x 7/16")
31.	11-696710-000	Connector	65.	11-176005-001	Keps Nut (#6)
32.	N.A.	Cable Assembly	66.	11-697107-000	Transformer
33.	N.A.	Cable Assembly	67.	11-685012-000	Fuse (0.5 Amp)
34.	11-615478-000	Knob	68.	11-685052-000	Fast-Blo Fuse (2 Amp)
35.	N.A.	Wire Assembly	69.	11-612151-000	Insulated Receptacle
36.	11-685017-000	Fuse (3.0 Amp)	70.	11-697201-000	Connector
37.	N.A.	Cable Assembly	71.	11-680321-000	Terminal
38.	11-012022-001	Screw w/Int. Lockwasher (#6-32 x 3/8")	72.	N.A.	SIU Board (Brunswick Repair/Exchange)

N.A. = No Longer Available

Associated Interconnecting Cables

N.A.	Intercom Out to Scorer Console Cable Assembly
N.A.	Comline to Scorer Console Cable Assembly
N.A.	Audio Out to Scorer Console Cable Assembly
N.A.	Overhead Comline Out to End Overhead Cable Assembly
57-215284-000	PC/SIU Overhead to Wyse Computer Cable Assembly
57-215284-000	PC/SIU Comm A to Wyse Computer Cable Assembly
57-215284-000	PC/SIU Comm B to Wyse Computer Cable Assembly
N.A.	Audio In from VCR Cable Assembly

Scorer Interface Unit



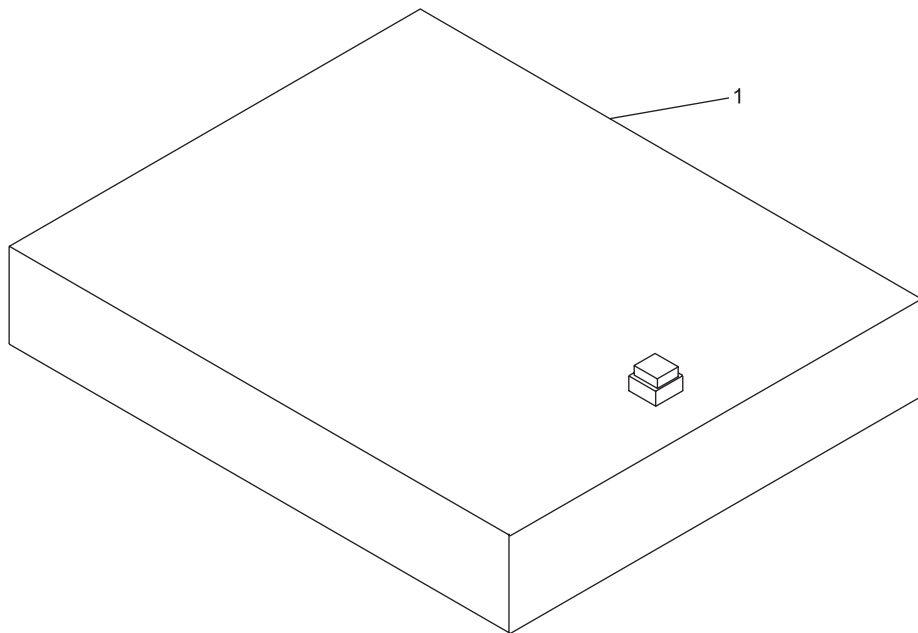
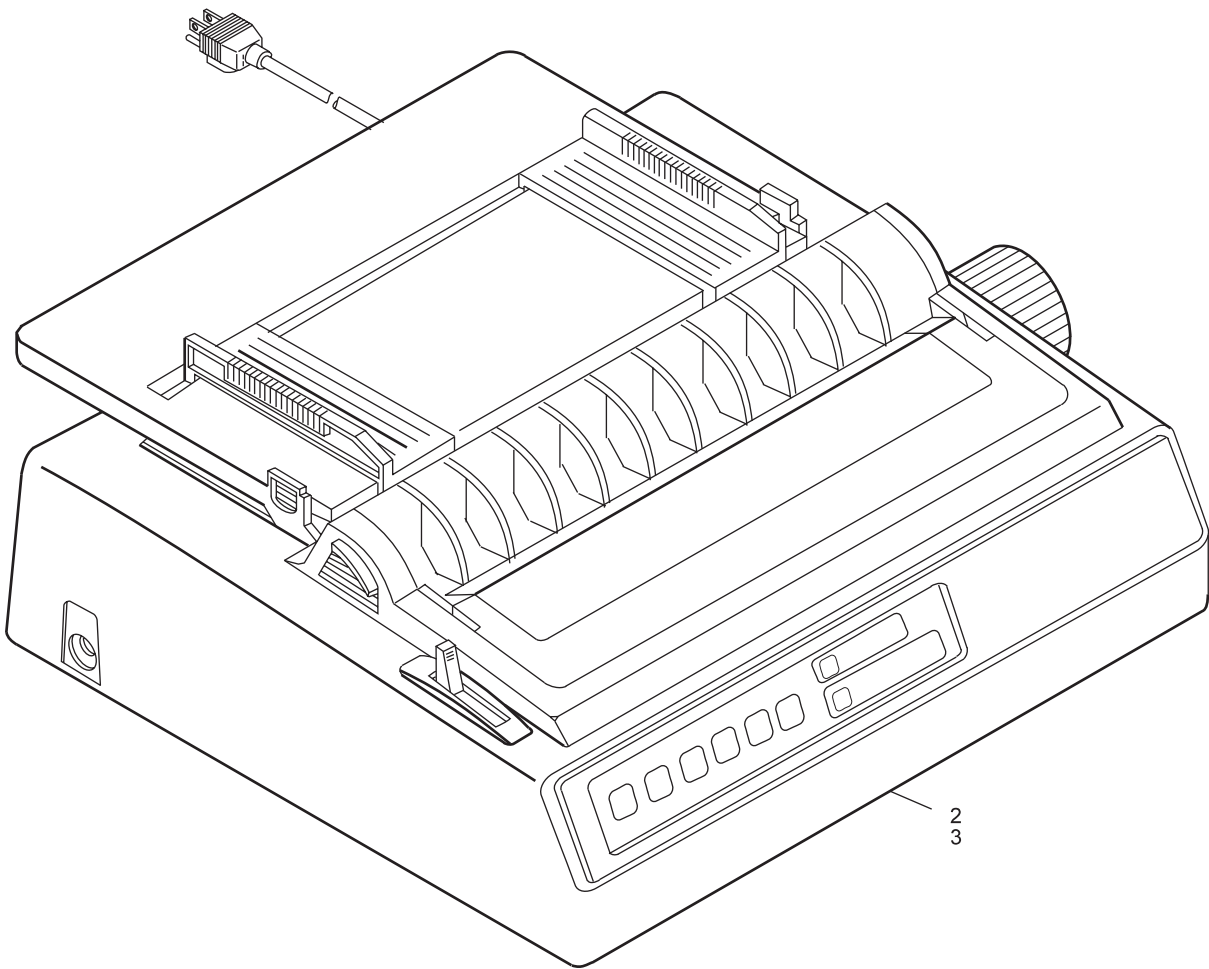
Scorer Interface Unit

Index No.	Part No.	Description
1.	57-860394-000	Bowler Express Trouble Call Signal Unit
2.	57-860619-000	Scoresheet Printer (Okidata 320) (Brunswick Repair/Exchange)
3.	57-860612-000	Ribbon

Associated Interconnecting Cables

57-215284-000 Data from Wyse Computer Cable Assembly

**Bowler Express Trouble Call Signal Unit
and Scoresheet Printer**



**Bowler Express Trouble Call Signal Unit
and Scoresheet Printer**