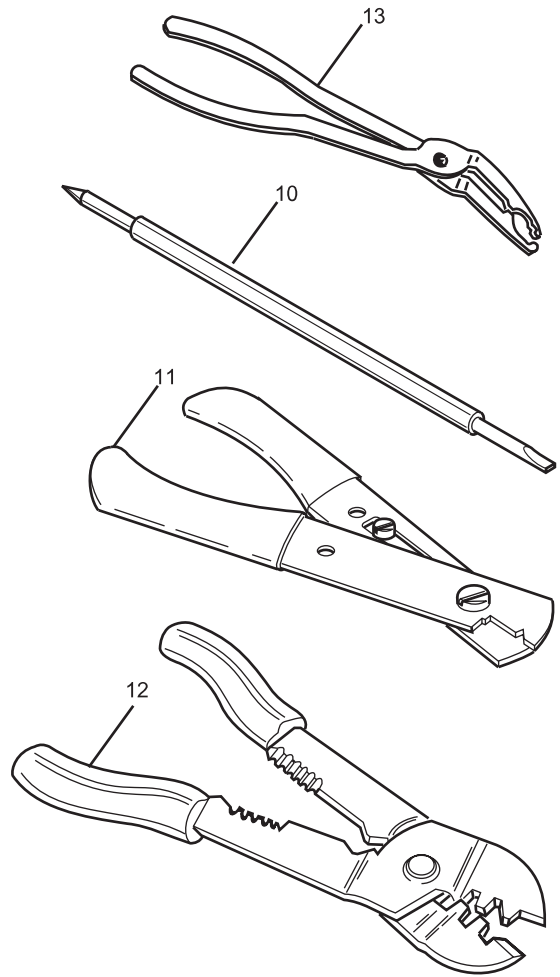
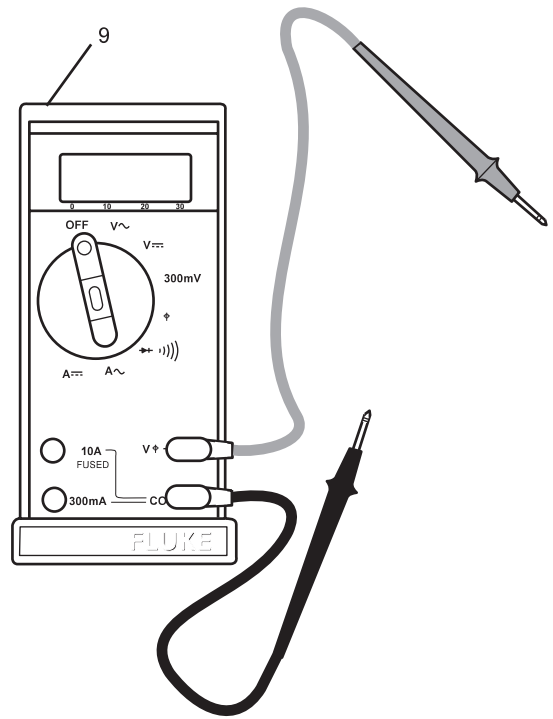
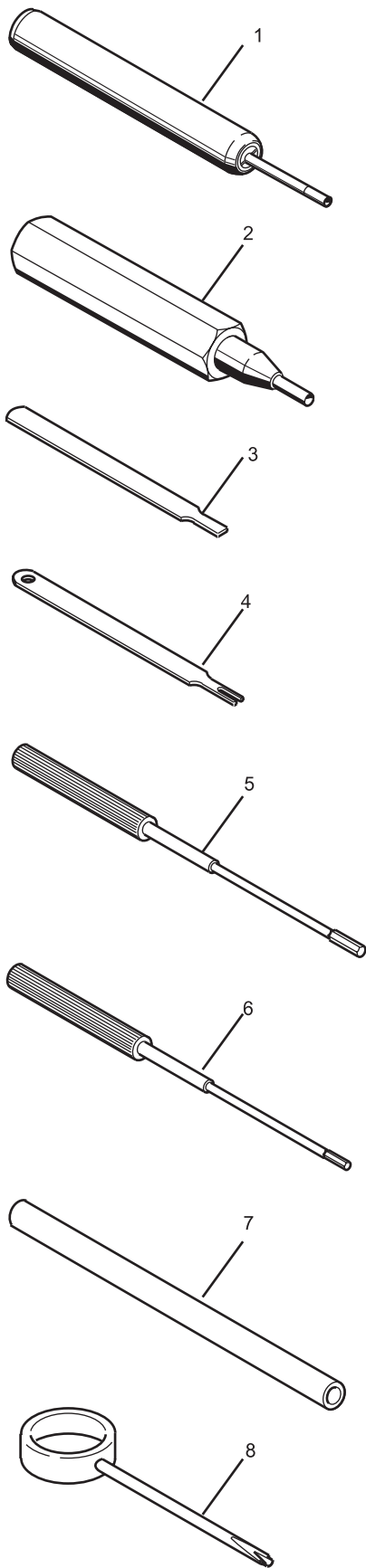


Section H  
**MISCELLANEOUS**

<b>Index. No.</b>	<b>Part Number</b>	<b>Description</b>
1.	57-900102-000	Molex Round Extractor
2.	57-900104-000	AMP Extractor
3.	57-900101-000	Molex Flat Extractor
4.	57-900112-000	Forked Extractor
5.	57-900106-000	PTS Hex Tuning Wand (115-4)
6.	57-900105-000	PTS Hex Tuning Wand (115-2)
7.	57-215053-000	Nylon Locking Support Retraction Tool
8.	57-900109-000	Insertion Tool
9.	57-860295-000	Digital Multi-Meter
10.	57-900107-000	PTS Non-Metallic Screwdriver
11.	57-900108-000	Cutter/Stripper
12.	57-900103-000	Molex Crimper
13.	57-900111-000	Scanner Lamp Pliers

## **Scorer Technician's Tools**

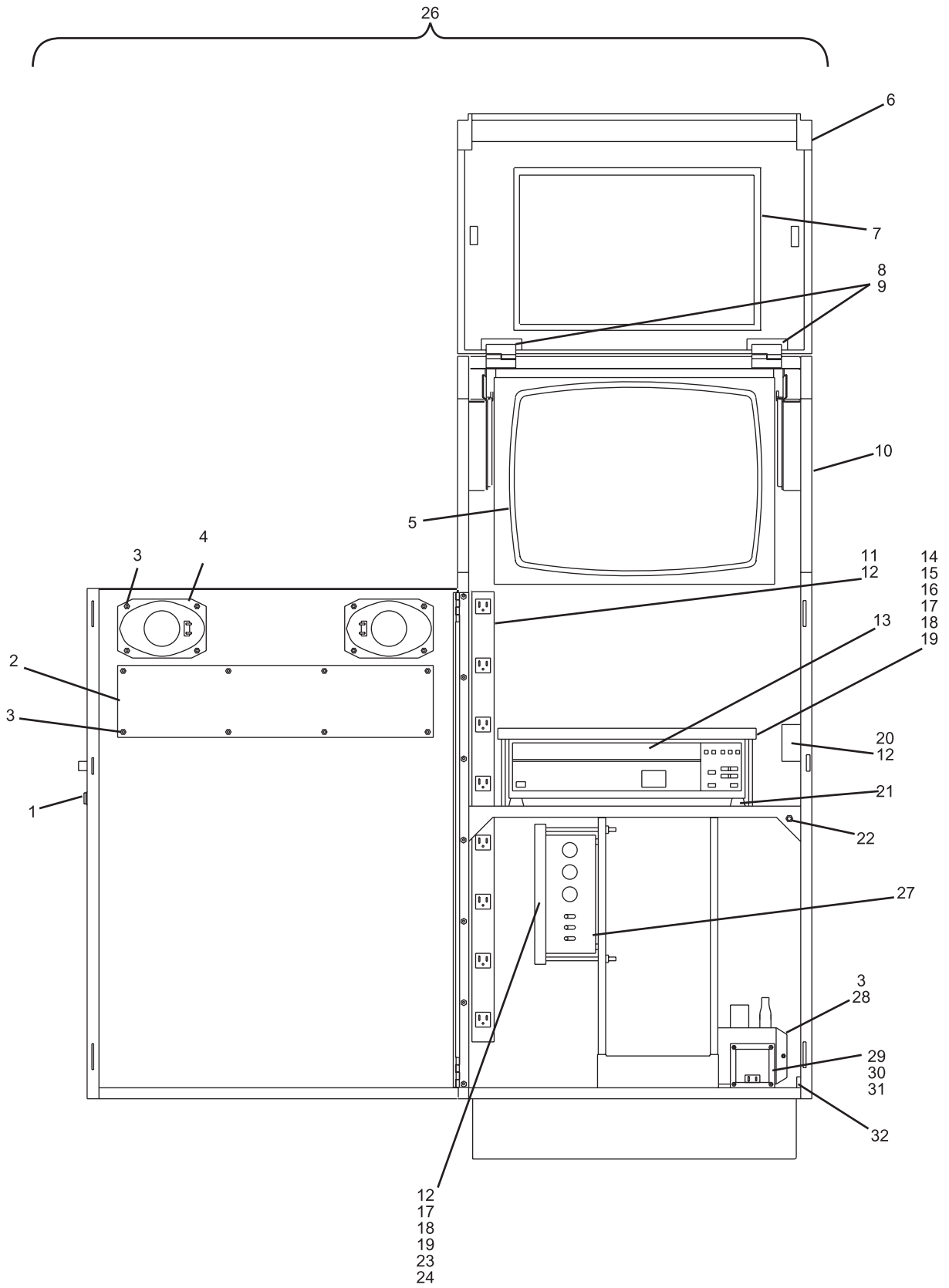


**Scorer Technician's Tools**

<b>Index No.</b>	<b>Part Number</b>	<b>Description</b>
1.	68-100678-001	Lock and Key Set
2.	68-100678-002	Front Plate
3.	11-176007-001	Keps Nut (#8-32)
4.	68-100678-004	Loud Speaker (4" x 6")
5.	68-100678-006	CRT Assembly (Brunswick Repair/Exchange)
6.	68-100678-007	Upper Door
7.	68-100678-008	Adhesive Back Gasket
8.	68-100678-009	Upper Door Hinge Set
9.	N.A.	Pan Hd. C.R. Metal Screw (#8-32)
10.	68-100678-011	Cabinet
11.	68-100678-012	Receptacle Assembly (120 VAC)
12.	68-100678-013	Double Sided Foam Adhesive
13.	68-860012-000	Laser Disk Video Player (Brunswick Repair/Exchange)
14.	68-100678-014	Hold Down IDV Bracket
15.	68-100678-015	Adhesive Back Gasket
16.	68-100678-016	Hex Hd. Bolt (1/4-20 x 5")
17.	11-090010-001	Flat Washer (#1/4)
18.	11-195014-001	Split Ring Lockwasher (#1/4)
19.	11-125007-001	Hex Head Nut (#1/4-20)
20.	68-100678-020	Controller
21.	68-100678-022	Rubber Adhesive Backed Bumper
22.	68-100678-023	Switch
23.	68-100678-024	Bracket
24.	68-100678-026	Hex Hd. Bolt (#1/4-20 x 4")
25.	*68-860143-000	Information Center Controller Card (GS-92)
26.	68-860133-000	BowlerVision Information Center Assembly - Complete
27.	68-100678-030	Amplifier
28.	68-100678-031	Power Panel Assembly
29.	68-100678-033	Transformer
30.	11-013096-001	Pan Hd. C.R. Screw (#10-32 x 1/2")
31.	11-176008-001	Keps Nut (#10-32)
32.	68-100678-036	Switch
33.	*68-860056-000	Laser Disk
34.	*68-860144-000	Information Center Controller Card (A-2)

\*Not Illustrated

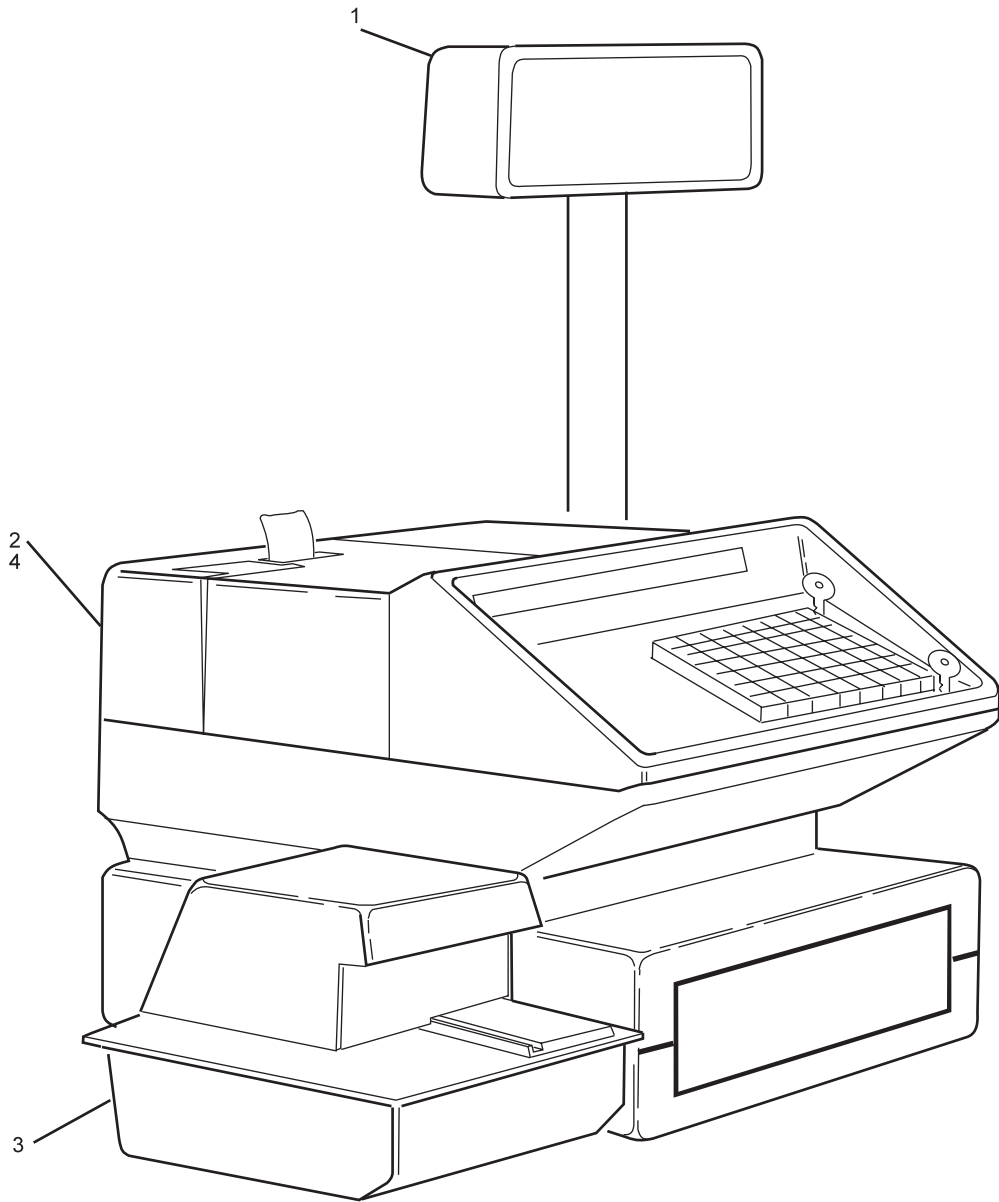
N.A. No Longer Available As An Assembly



**BowlerVision Information Center**

<b>Index No.</b>	<b>Part Number</b>	<b>Description</b>
1.	N.A.	Customer Display
2.	N.A.	DTS 521 Cash Register
3.	N.A.	Slip Printer
4.	67-860226-000	ANS-R-TRAN PCB

N.A. = No Longer Available



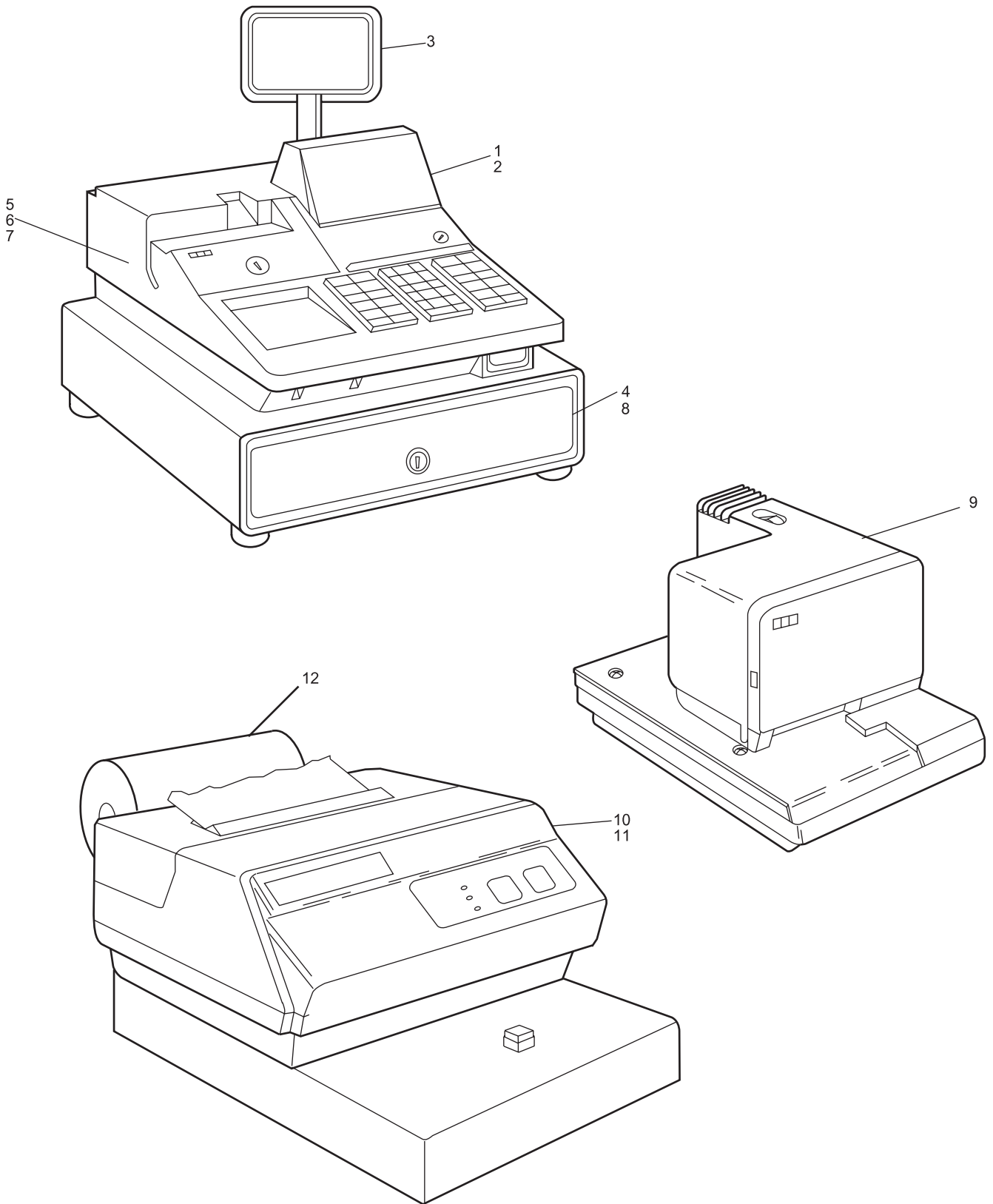
**DTS Cash Register**

<b>Index No.</b>	<b>Part No.</b>	<b>Description</b>
1.	68-860140-000	NCR Master Cash Register (Model No. 2113-3000)
2.	68-860142-000	Satellite Cash Register
3.	68-860137-000	Customer Display
4.	68-860139-000	Coin Tray
5.	68-860157-000	Ink Rollers
6.	68-860155-000	Receipt Paper
7.	68-860156-000	Detail Paper
8.	68-860138-000	Remote Drawer
9.	68-860136-000	NCR Remote Slip Printer
10.	57-860391-000	Bowler Express Receiving Station
11.	N.A.	Ribbon
12.	57-860412-000	Roll of Paper

#### **Associated Interconnecting Cables**

57-215288-000	Master Register Office PC Cable Assembly
57-215284-000	Register to Junction Box Cable Assembly
57-215284-000	Data to Wyse Computer Cable Assembly

### **NCR Cash Register, Remote Slip Printer and Bowler Express Receiving Station**



**NCR Cash Register, Remote Slip Printer  
and Bowler Express Receiving Station**

<b>Index No.</b>	<b>Part No.</b>	<b>Description</b>
1.	17-900247-000	Model 79 Optical Scanner Tester Manual
2.	57-900204-000	Model 86 Scanner Tester Manual
3.	57-900250-000	Command Network Manager's Guide
4.	57-900251-000	Command Network Control Desk Terminal User's Guide
5.	57-900252-000	Command Network League Record Service User's Guide
6.	57-900253-000	Command Network Daily Reporting System User's Guide
7.	57-900254-000	Command Network AS-90 User's Guide
8.	57-900255-000	Command Network Training Guide
9.	57-900256-000	AS-90 Scorer Service Manual
10.	57-900257-000	CCD Scanner Tester Manual
11.	57-900259-000	Command Network Tournament System User's Guide
12.	57-900260-000	Command Network Manager's Workbook
13.	57-900261-000	Command Network Control Desk Terminal User's Workbook
14.	57-900262-000	Command Network League Record Service Workbook
15.	57-900263-000	Command Network Daily Reporting System Workbook
16.	57-900266-000	NCR 2113-3000 Cash Register Manager's Guide
17.	57-900267-000	Scoring System Service Manual
18.	57-900268-000	AS-K Scorer/1.5 Manager's Control User's Guide
19.	57-900269-000	Command Network Communications User's Guide
20.	57-900271-000	Command Network Control Desk Terminal User's Quick Reference Guide
21.	57-900272-000	Command Network League Record Service Quick Reference Guide
22.	57-900273-000	Command Network Daily Reporting System Quick Reference Guide
23.	57-900280-000	Command Network AS-90 with 5 Pin Scoring User's Guide
24.	57-900306-000	Automatic Scorer Service Parts Catalog
25.	67-900010-000	Source Power Overview Manual
26.	67-900011-000	League Record Service Manual
27.	67-900012-000	Tournament System Manual
28.	67-900013-000	Daily Reporting System Manual
29.	67-900014-000	Accounting System Manual
30.	67-900015-000	Accounts Payable Manual
31.	N.A.	General Ledger User's Manual
32.	67-900017-000	Inventory Manual
33.	67-900018-000	Payroll User's Manual
34.	67-900019-000	Communications User's Guide
35.	68-900003-000	BowlerVision MCD Playpad User's Guide
36.	68-900004-000	BowlerVision MCD Terminal User's Quick Reference Guide
37.	68-900005-000	BowlerVision MCD Terminal Manager's Guide
38.	68-900006-000	BowlerVision MCD Terminal User's Guide
39.	68-900007-000	BowlerVision Cash Register Manager's Guide
40.	68-900008-000	BowlerVision Cash Register User's Guide
41.	68-900009-000	BowlerVision Cash Register User's Quick Reference Guide
42.	68-900010-000	BowlerVision MCD User's Orientation, Self-Study, and Practice Guide
43.	68-900011-000	BowlerVision Manager's Orientation, Self Study, and Practice Guide

N.A. No Longer Available

## **Manuals**