

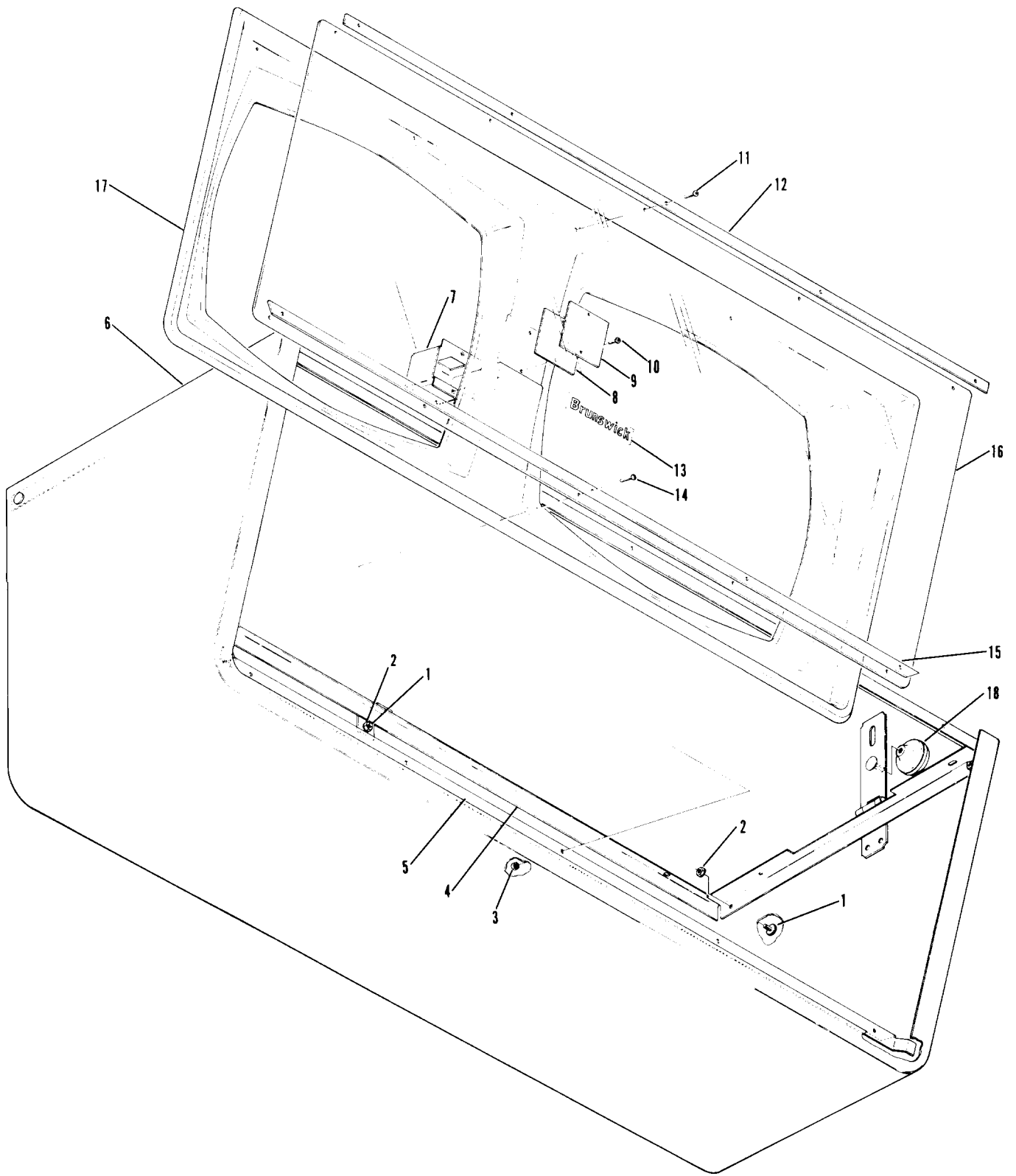
**Section D**

**OVERHEADS**

<b>Index No.</b>	<b>Part No.</b>	<b>Description</b>
1.	54-100107-000	T. Hd. Nib Screw (1/4-20 x 9/16")
2.	11-176000-001	Keps Nut (1/4-20)
3.	11-176007-001	Keps Nut (#8-32)
4.	N.A.	Cabinet Frame Weldment
5.	N.A.	Mounting Strap
6.	57-214063-000	Overhead Cabinet Only
7.	N.A.	Service Light Housing
8.	N.A.	Red Filter
9.	N.A.	Lens
10.	N.A.	Round Hd. C.R. Screw (#6-32 x 1/2")
11.	N.A.	Round Hd. C.R. Screw (#8-32 x 1/2")
12.	N.A.	Upper Metal Strip
13.	57-214132-000	"Brunswick" Decal
14.	N.A.	Round Hd. Self Tapping Screw (#8-32 x 3/4")
15.	N.A.	Bottom Metal Strip
16.	57-860073-000	Window
17.	N.A.	Face
18.	11-670101-000	Control Ball

N.A. = No Longer Available

## **B & W Overhead Cabinet & Face Assembly**



**B & W Overhead Cabinet & Face Assembly**

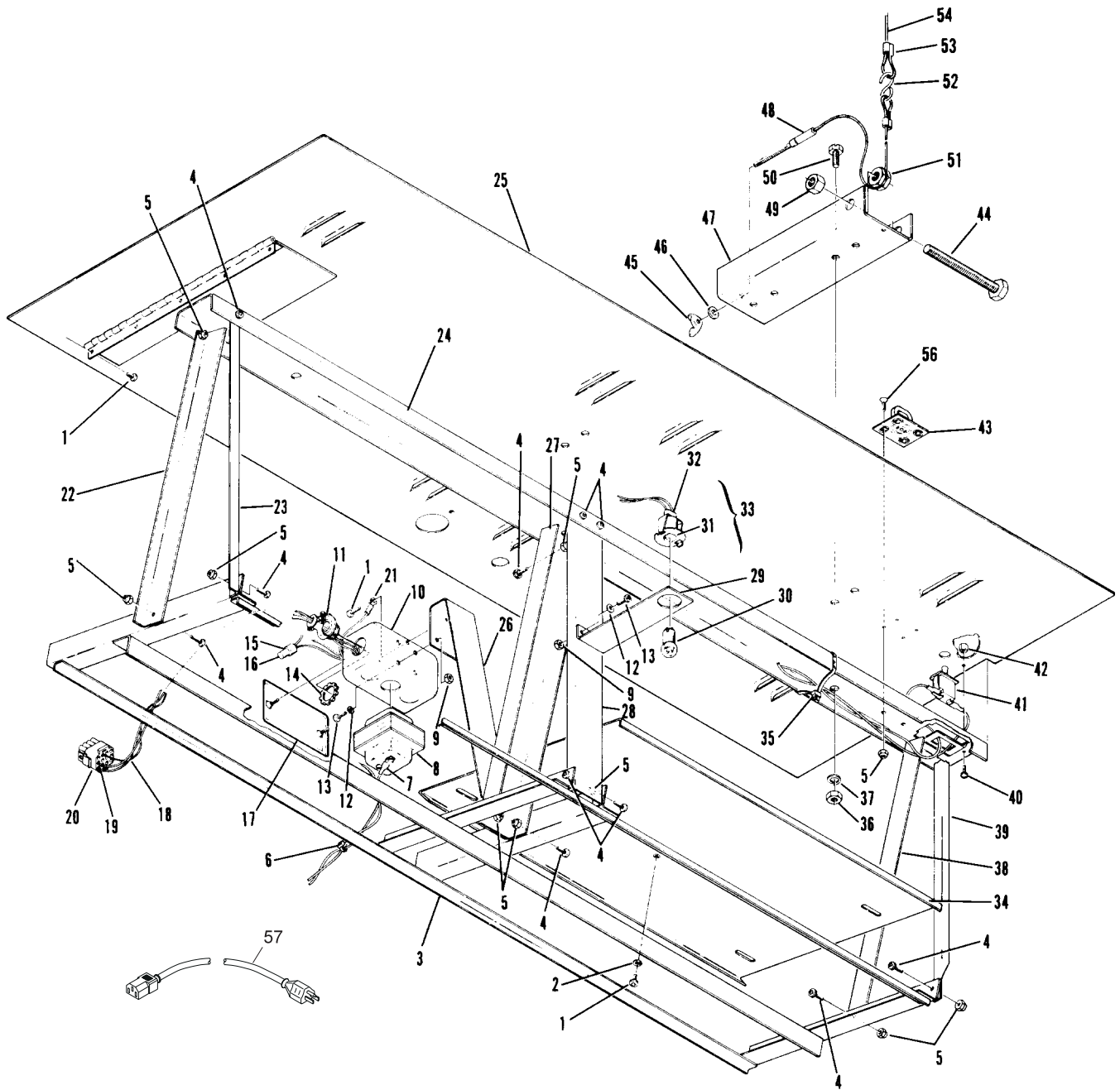
Index No.	Part No.	Description
1.	11-010779-000	Hex Hd. Screw w/Washer (#10-32 x 3/8")
2.	11-195010-001	Lockwasher (#10)
3.	N.A.	CRT Support Assembly
4.	N.A.	Round Hd. C.R. Screw (#10-24 x 1/2")
5.	11-170005-001	Self Locking Nut (#10-24)
6.	11-603108-000	Cable Tie
7.	11-612008-000	Terminal
8.	53-520233-000	Transformer Only (24 Volt 50-60 Hz)
9.	11-125003-001	Hex Nut (#8-32)
10.	11-686001-000	Outlet Box
11.	11-602101-000	Cord Grip
12.	11-198001-001	External Tooth Lockwasher (#6)
13.	11-013060-001	Pan Hd. C.R. Screw (#8-32 x 1/2")
14.	11-602002-001	Electrical Locknut (1/2)
15.	11-609501-000	Large Wire Connector
16.	11-609502-000	Small Wire Connector
17.	11-686101-000	Outlet Box Cover
18.	57-214178-000	Cable Assembly
19.	11-697187-000	Terminal
20.	11-696706-000	Connector
21.	11-612007-000	Terminal
22.	N.A.	L.H. Angle
23.	N.A.	L.H. Angle
24.	N.A.	Main Channel Assembly
25.	N.A.	Top Cover
26.	N.A.	Center Brace
27.	N.A.	Center Channel
28.	N.A.	Center Channel
29.	N.A.	Light Bracket
30.	11-675503-000	Lamp (#1252)
31.	53-860611-000	Lamp Socket Only
32.	11-612201-000	Contact
33.	57-214242-000	Service Lamp Socket Assembly
34.	57-214079-000	CRT Adapter Plate
35.	11-603106-000	Cable Tie
36.	11-125102-001	Hex Nut (5/16-18)
37.	11-195015-001	Lockwasher
38.	N.A.	R.H. Angle
39.	N.A.	R.H. Angle
40.	11-017521-001	Round Hd. Sems Screw (#6-32 x 5/16")
41.	11-697142-000	Interlock Switch
42.	N.A.	Hex Spacer (#6-32 x 1/4")
43.	57-214082-003	Hasp Staple
44.	N.A.	Hex Hd. Cap Screw (1/2-13 x 4-1/2")
45.	11-149051-001	Wing Nut (#10-32)
46.	11-190006-001	Plain Washer (#10)
47.	N.A.	Hanger Bracket
48.	57-214098-000	Cable Assembly
49.	11-125108-001	Hex Nut (1/2-13)
50.	N.A.	Hex Hd. Screw (5/16-18 x 3/4")
51.	57-214097-000	Special Nut
52.	N.A.	"S" Hook
53.	57-214216-000	Oval Sleeve
54.	57-214514-000	Cable
55.	00-000000-000	Intentionally Blank
56.	11-014084-001	Flat Hd. C.R. Screw (#10-24 x 1/2")
57.	11-602252-000	Extension Cord

N.A. = No Longer Available

#### Associated Interconnecting Cables

57-214181-000	Service Lamp Cable
57-214180-000	75 ohm Coax Cable

## B & W Overhead Cabinet Inside Frame Assembly

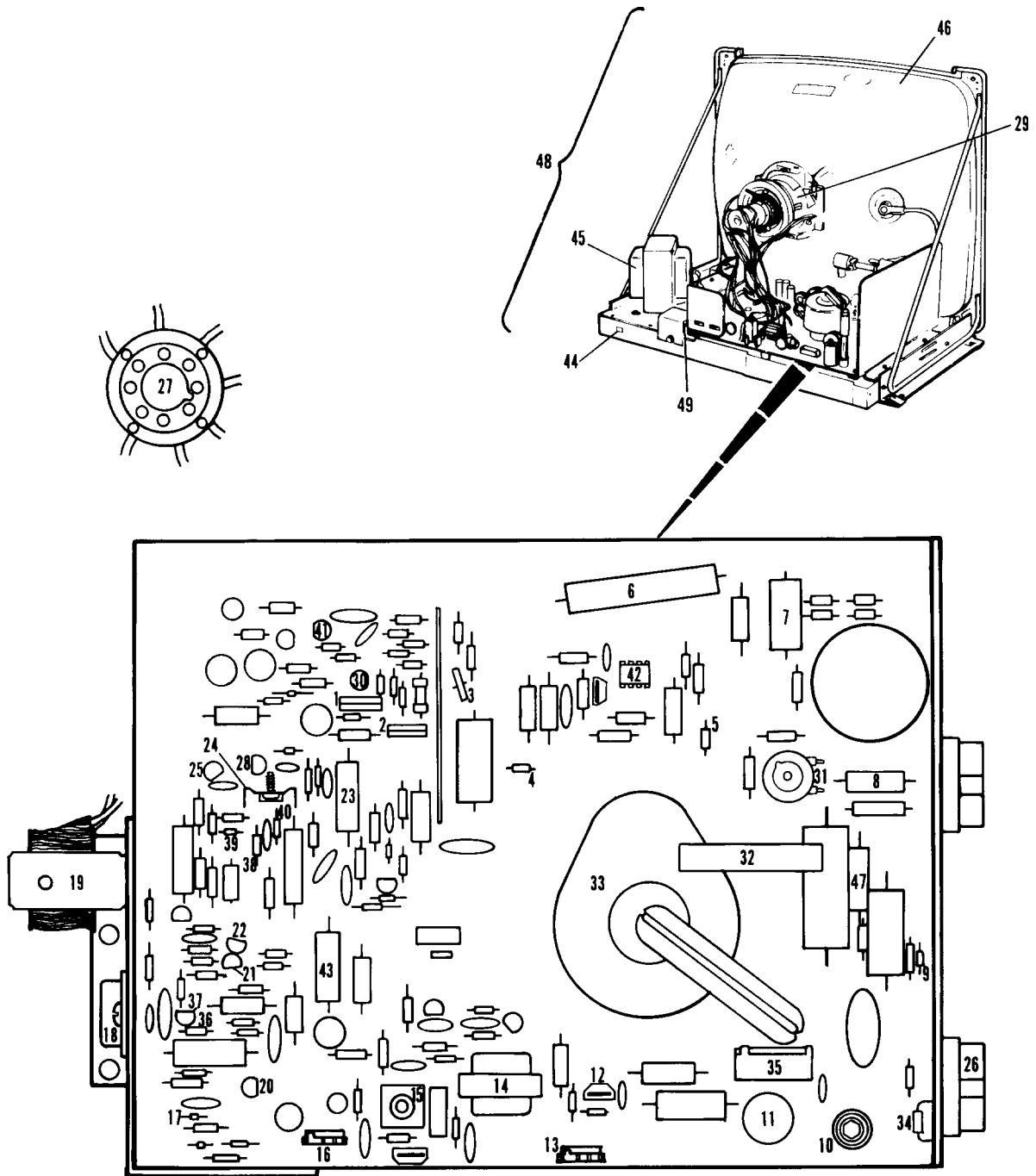


**B & W Overhead Cabinet Inside Frame Assembly**

<b>Index No.</b>	<b>Part No.</b>	<b>Description</b>
1.	N.A.	Control 100K Ohms
2.	57-214012-035	Control
3.	N.A.	Varistor
4.	57-214012-012	Zener Diode (IN5231B)
5.	N.A.	Diode (91A05)
6.	N.A.	Resistor Pack 150 Ohms, 10 Watt
7.	N.A.	Resistor Pack 1.5K, 5 Watt
8.	N.A.	Resistor 1.5K Ohm, 3 Watt
9.	N.A.	Diode D1K
10.	N.A.	Coil
11.	N.A.	Coil
12.	57-214012-024	Transistor A5F
13.	N.A.	Control 200K
14.	N.A.	Transformer
15.	N.A.	Coil
16.	57-214012-030	Control
17.	57-214012-006	Diode All
18.	N.A.	Transformer B2V
19.	N.A.	Choke
20.	57-214012-019	Transistor A6H
21.	N.A.	Transistor A6J
22.	57-214012-021	Transistor P2S
23.	N.A.	Resistor 3.9 Ohms, 5 Watt
24.	N.A.	Transistor B1E
25.	57-214012-027	Transformer A8W
26.	N.A.	Transistor B2L
27.	N.A.	CRT Socket
28.	57-214012-022	Transistor A2J
29.	N.A.	Coil
30.	57-214012-028	Transistor A13
31.	N.A.	Control 2.5K
32.	57-214012-010	Rectifier D2Y
33.	N.A.	Transformer
34.	N.A.	Diode D1D
35.	57-214012-034	Control
36.	57-214012-002	Zener Diode 1N5242
37.	57-214012-026	Transistor P2W
38.	57-214012-004	Zener Diode 1N5234B
39.	57-214012-003	Diode A13
40.	57-214012-005	Rectifier 91A02
41.	57-214012-011	MPU6027
42.	57-214012-013	Ref. AMPT3F
43.	57-214012-031	Resistor 100 Ohm, 5 Watt
44.	N.A.	Switch
45.	N.A.	Transformer
46.	N.A.	23" CRT
47.	N.A.	Resistor 1.8 Ohm, 2 Watt
48.	94-860001-002	23" CRT Assembly - Complete (Brunswick Repair/Exchange)
49.	11-684103-000	Fuse (0.8 Amp)

N.A. = No Longer Available

## **B & W 23" CRT Assembly (Motorola)**

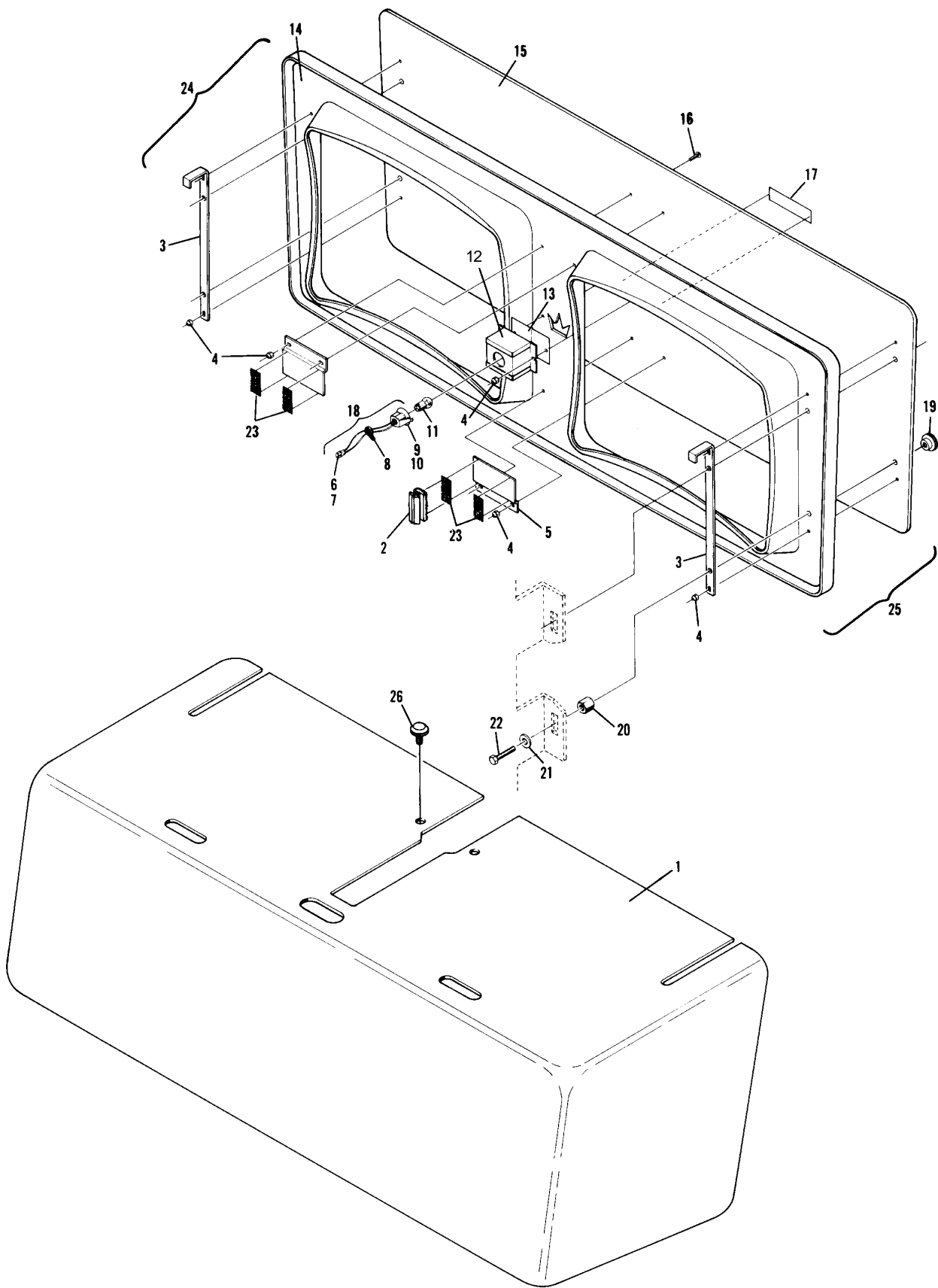


**B & W 23" CRT Assembly (Motorola)**

<b>Index No.</b>	<b>Part No.</b>	<b>Description</b>
1.	57-860144-000	Overhead Cabinet
2.	N.A.	Hook Fastener
3.	57-214426-010	End Bracket
4.	11-170004-001	Self-Locking Nut (#8-32)
5.	57-214424-000	Strike
6.	11-680116-000	Connector
7.	11-680302-000	Terminal
8.	11-603108-000	Cable Tie
9.	53-860611-000	Socket Assembly
10.	11-612201-000	Button Contact
11.	11-675503-000	Lamp (#1252)
12.	57-214382-000	Light Housing
13.	N.A.	Red Filter
14.	57-214348-010	Faceplate
15.	57-214362-010	Faceplate (for Units w/Knobs)
16.	11-012312-000	Pan Hd. C.R. Screw (#8-32 x 5/8")
17.	57-214132-000	"Brunswick" Decal
18.	57-214366-051	Service Lamp Socket Assembly
19.	57-214527-000	Plastic Knob
20.	57-214526-000	Spacer Nut
21.	11-190010-001	Plain Washer (1/4")
22.	11-010139-001	Hex Hd. Screw (1/4-20 x 1-1/4")
23.	57-214513-000	Loop Fastener
24.	N.A.	Colorvision Faceplate Modification Kit
25.	N.A.	Faceplate Assembly
26.	57-214506-000	Knob Assembly

N.A. = No Longer Available

## **25" Color Overhead Cabinet Assembly**



**25" Color Overhead Cabinet Assembly**

<b>Index No.</b>	<b>Part No.</b>	<b>Description</b>
1.	*57-214216-000	Oval Sleeve
2.	57-214514-000	Aircraft Cable
3.	57-214380-000	"J" Bolt
4.	11-125102-001	Hex Nut (5/16-18)
5.	11-170009-001	Self-Locking Nut (5/16-18)
6.	57-860130-000 N.A.	Composite Video PCB Assembly Composite Video PCB Assembly for use in Europe, Australia, and New Zealand.
7.	57-860128-000	Video Output PCB Assembly
8.	57-860131-302 57-860197-303	Color Decoder PCB Assembly (w/o Source Command) (Brunswick Repair/Exchange) Color Decoder PCB Assembly (w/Source Command) (Brunswick Repair/Exchange)
9.	N.A.	Signal Process PCB Assembly (Brunswick Repair/Exchange)
10.	57-860129-000	Sweep and High Voltage PCB Assembly (Brunswick Repair/Exchange)
11.	11-685127-000	Fuse Holder
12.	11-685024-000	Fuse (5.0 Amp)
13.	57-214365-000	Transformer
14.	11-696627-000	Circuit Breaker
15.	57-214371-000	Picture Adjustment PCB
16.	**57-860169-302	Colorvision Plus Software Upgrade
17.	57-214270-000	Plastic Cable Sleeve
18.	11-602251-000	Extension Cord
19.	57-214624-000	Split Tubing (1-1/4" Dia. x 24")
20.	57-214015-014	25" Color CRT Picture Tube

N.A. = No Longer Available

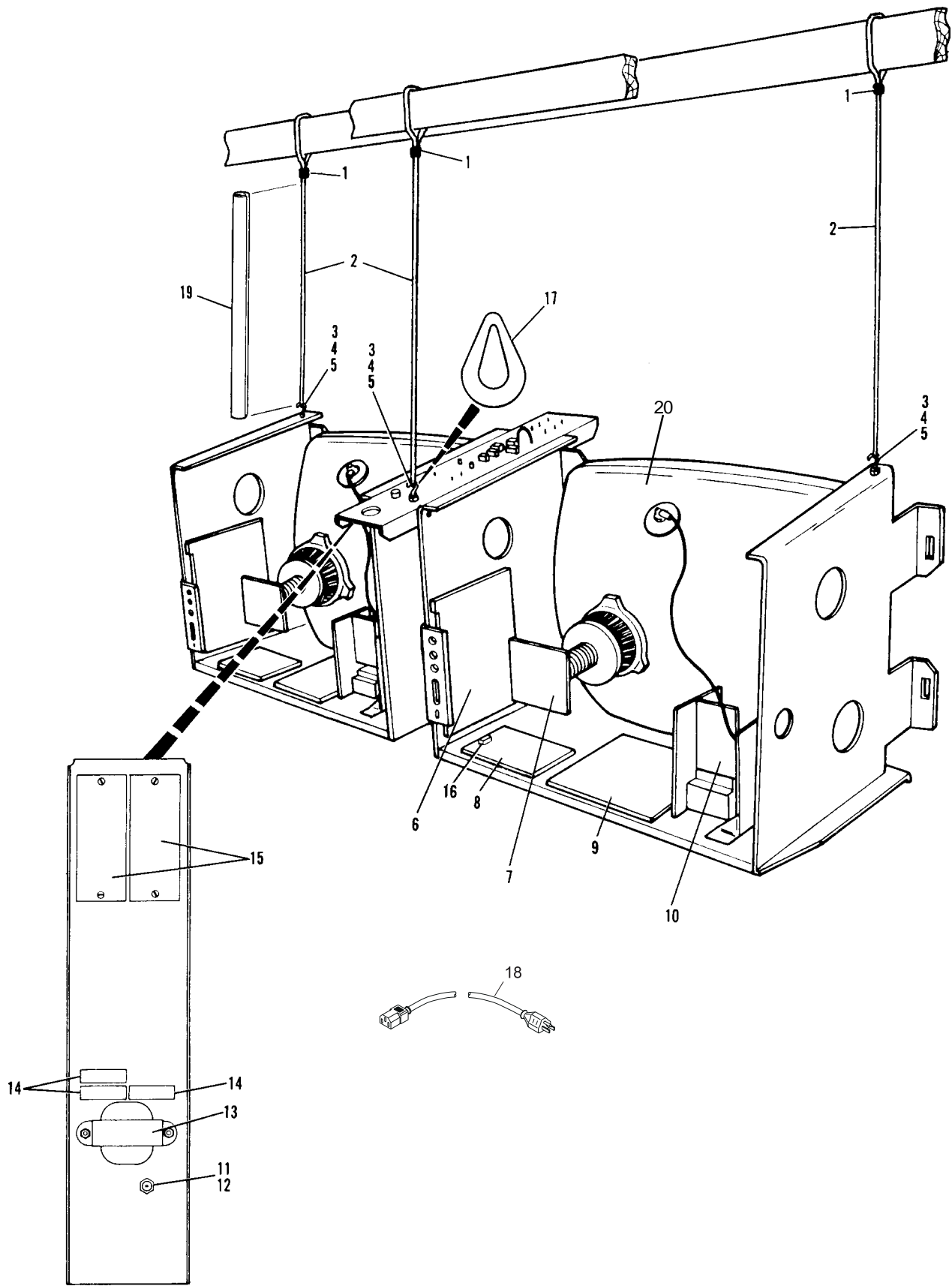
\* Sleeve must be crimped using the proper crimping tool  
(Micro-Press #51-G-887, 3/32" size)

\*\* For non-Source Command overheads.

#### **Associated Interconnecting Cables**

57-214881-000	Comline Daisy Chain Cable
57-214370-000	Coax Daisy Chain Cable
57-214181-000	Service Lamp Cable
57-214180-000	Scorer to Overhead 75 ohm Cable

## **25" Color Overhead Assembly**



**25" Color Overhead Assembly**

**Index**

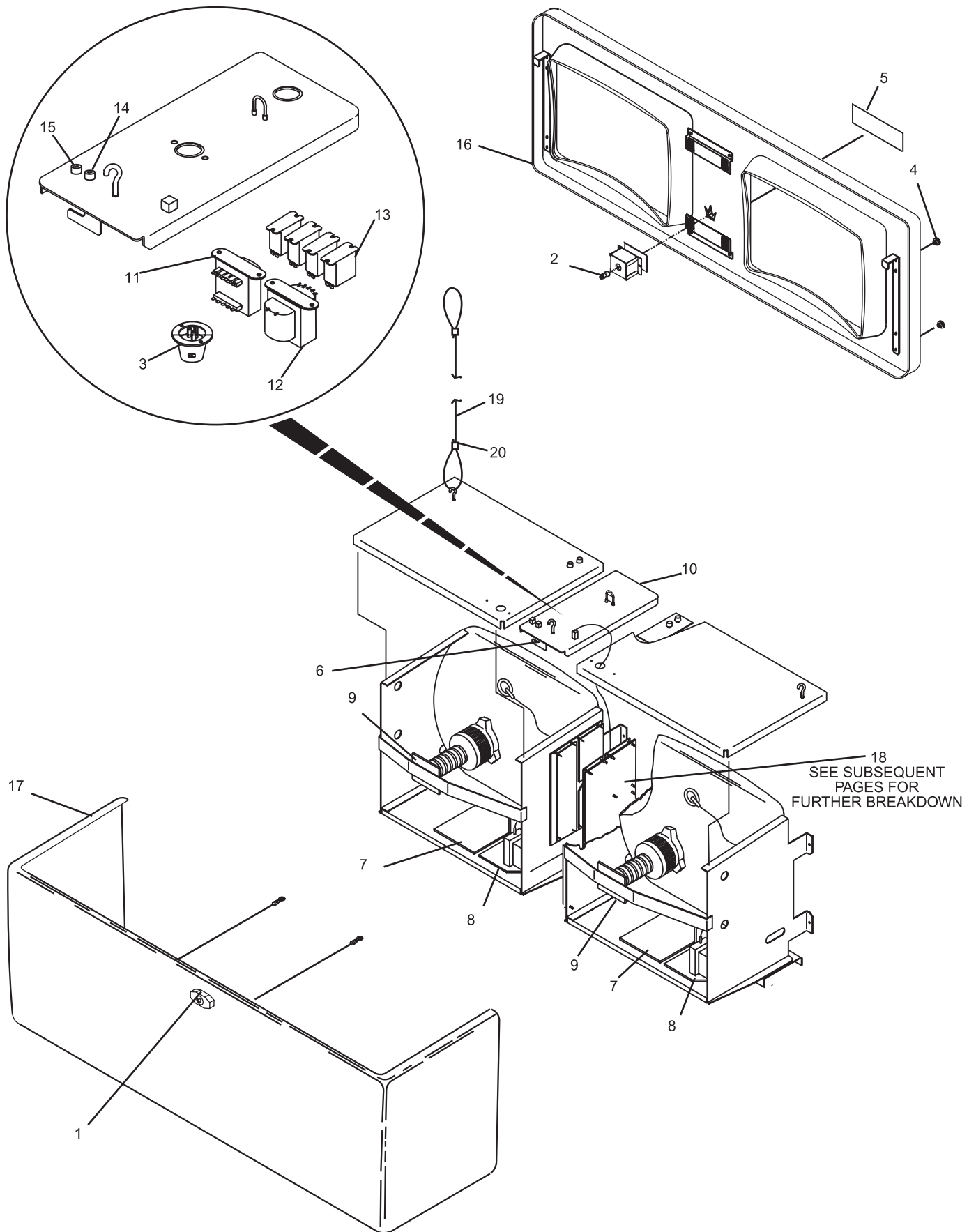
<b>No.</b>	<b>Part No.</b>	<b>Description</b>
1.	68-100483-036	Latch
2.	68-100483-033	Miniature Lamp
3.	68-100483-028	Recessed Plug
4.	68-100483-023	Knurled Knob
5.	68-100483-043	"BRUNSWICK" Nameplate
6.	68-100483-018	Latch Lever
7.	*68-860048-002	Brunswick RGB PCB(Brunswick Repair/Exchange)
8.	68-860048-001	High Voltage PCB (9-754) (Brunswick Repair/Exchange)
9.	*68-860048-003	Neck Board PCB (9-523) (Brunswick Repair/Exchange)
10.	68-100483-002	Control Panel Assembly
11.	68-100483-048	Transformer
12.	57-214365-000	Transformer
13.	68-100483-047	Relay
14.	68-100483-046	Fuse (2.00 Amp, 250V)
15.	11-685012-000	Fuse (.50 Amp, 250V)
16.	68-100483-044	Overhead Faceplate
17.	68-100483-042	Monitor Cabinet
18.	57-860355-000	27" Overhead to AS-80 Interface Assembly (Brunswick Repair/Exchange)
19.	57-214924-000	Aircraft Cable
20.	57-214923-000	Oval Cable Sleeve

\* It is necessary to replace both index nos. 7 and 9 together, if either one of these items fail.

**Associated Interconnecting Cables**

57-215371-000	CPU to 27" Overhead Service Lamp Cable Assembly (Field Assembled)
57-215370-000	CPU to 27" Overhead Scorer Video Coax Cable Assembly (Field Assembled)
57-214881-000	Comline Daisy Chain Cable Assembly
57-214370-000	VCR Video Daisy Chain Cable Assembly

**27" Overhead (Model F4)**



**27" Overhead (Model F4)**

<b>Index No.</b>	<b>Part No.</b>	<b>Description</b>
1.	57-860355-000	27" Overhead to AS-80 Interface Assembly (Brunswick Repair/Exchange)
2.	N.A.	Mounting Plate
3.	*57-860197-303	Color Decoder PCB Assembly (Brunswick Repair/Exchange)
4.	68-100228-010	RGB Converter PCB Assembly (Brunswick Repair/Exchange)
5.	57-860636-000	27" to AS-80 Interface PCB Assembly (Brunswick Repair/Exchange)
6.	11-185376-000	1/4" Nylon Locking Standoff
7.	N.A.	RGBS - 27" Overhead to AS-80 Cable Assembly
8.	11-697206-000	Connector
9.	11-680322-000	Terminal
10.	57-215119-000	Power Control 27" Overhead to AS-80 Cable Assembly
11.	11-697233-000	Connector
12.	11-680326-000	Terminal
13.	11-696702-000	Connector
14.	11-697186-000	Terminal
15.	11-603108-000	Cable Tie
16.	57-215117-000	15V C.T. - 27" Overhead to AS-80 Cable Assembly
17.	11-697238-000	Connector
18.	11-697202-000	Connector
19.	57-215142-000	27" Overhead to AS-80 Cable Assembly
20.	11-696265-000	BNC Connector
21.	57-215141-000	RGB Converter - 27" Overhead to AS-80 Cable Assembly
22.	11-697203-000	Connector
23.	11-697205-000	Connector
24.	N.A.	Connector
25.	57-215147-000	Comline Ext. "Y" 27" Overhead to AS-80 Cable Assembly
26.	11-680301-000	Terminal
27.	11-697201-000	Connector
28.	57-215118-000	Power Jumper - 27" Overhead to AS-80 Cable Assembly
29.	57-215143-000	To Zenith 27" Monitor Cable Assembly (24")
	57-215144-000	To Zenith 27" Monitor Cable Assembly (36")
30.	57-215097-000	VHS Cable Assembly
	57-215114-000	VHS Cable Assembly
31.	11-680205-000	Connector
32.	11-685050-000	Fuse (1 Amp, 250V)

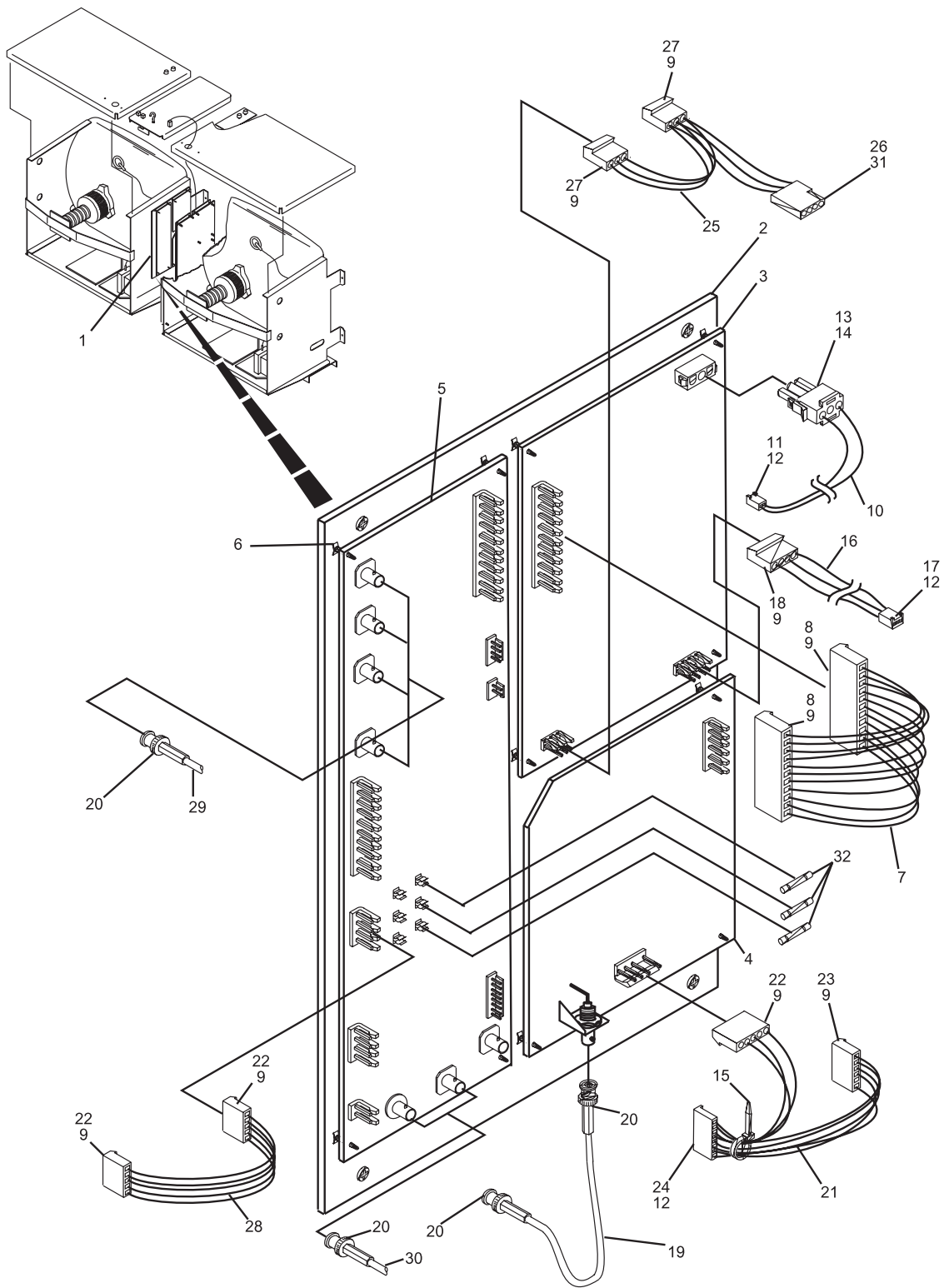
\* You must contact Brunswick Customer Service to determine the correct software for your center. Call 1-800-YES-BOWL (1-800-937-2695)

N.A. = No Longer Available

#### **Associated Interconnecting Cables**

57-215371-000	CPU to 27" Overhead Service Lamp Cable (Field Assembled)
57-215370-000	CPU to 27" Overhead Scorer Video Coax Cable (Field Assembled)
57-214881-000	Comline Daisy Chain Cable
57-214370-000	VCR Video Daisy Chain Cable

### **27" Overhead to AS-80 Interface Assembly (Model F4)**



**27" Overhead to AS-80 Interface Assembly (Model F4)**

<b>Index No.</b>	<b>Part No.</b>	<b>Description</b>
1.	68-100483-036	Latch
2.	68-100483-033	Miniature Lamp
3.	68-100483-028	Recessed Plug
4.	68-100483-023	Knurled Knob
5.	68-100483-043	"BRUNSWICK" Nameplate
6.	68-100483-018	Latch Lever
7.	57-860479-002	Processing Module PCB (9-935-02) (Brunswick Repair/Exchange)
8.	57-860479-001	H.V. Power Supply PCB (9-754-05) (Brunswick Repair/Exchange)
9.	57-860479-003	Neck PCB (9-937-002) (Brunswick Repair/Exchange)
10.	68-100483-002	Control Panel Assembly
11.	68-100483-048	Transformer
12.	57-214365-000	Transformer
13.	68-100483-047	Relay
14.	68-100483-046	Fuse (2.00 Amp, 250V)
15.	11-685012-000	Fuse (.50 Amp, 250V)
16.	68-100483-044	Overhead Faceplate
17.	68-100483-042	Monitor Cabinet
18.	**57-215372-401	27" Overhead Video Decoder Assembly (Brunswick Repair/Exchange)
19.	57-214924-000	Aircraft Cable
20.	57-214923-000	Oval Cable Sleeve
21.	*57-860479-000	27" Overhead Spare Parts Kit (Includes two each of item nos. 7 & 8, and 1 each of item no. 9)
22.	57-860480-000	27" Overhead Monitor Assembly
23.	57-860770-401	Monitor Assembly w/Interface in Cabinet

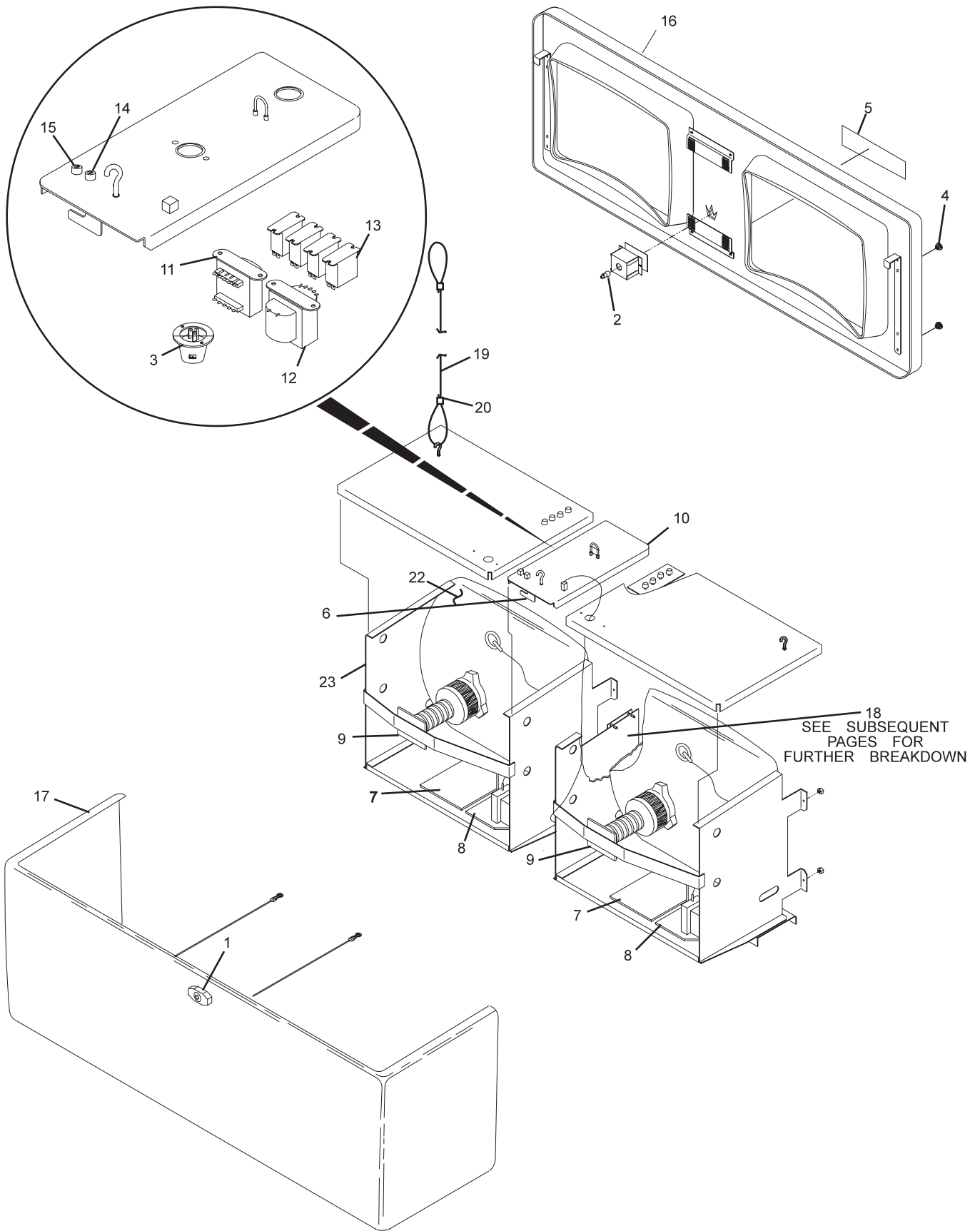
Note: F5 spare parts kit is available, P/N 57-860479-000 this kit consists of :

1 ea.	57-860479-003
2 ea.	57-860479-001
2 ea.	57-860479-002

\* Not Illustrated

\*\* You must contact Brunswick Customer Service to determine the correct software for your center. Call 1-800-YES-BOWL (1-800-937-2695)

## **27" Overhead (Model F5)**



**27" Overhead (Model F5)**

<b>Index No.</b>	<b>Part No.</b>	<b>Description</b>
1.	*57-215372-401	27" Overhead Video Decoder Assembly
2.	N.A.	Mounting Plate
3.	*57-860637-401	Video Decoder PCB Assembly (Brunswick Repair/Exchange)
4.	11-185376-000	Nylon Locking Standoff
5.	57-215365-000	Comline-Video Decoder Cable Assembly
6.	11-697201-000	Connector
7.	11-680322-000	Terminal
8.	11-680205-000	Connector
9.	11-680301-000	Terminal
10.	N.A.	Relay Control-Video Decoder Cable Assembly
11.	11-697202-000	Connector
12.	11-680204-000	Connector
13.	11-680302-000	Terminal
14.	57-215367-000	Transformer Secondary-Video Decoder Cable Assembly
15.	57-215368-000	Video-Video Decoder Cable Assembly
16.	11-697207-000	Connector
17.	11-697205-000	Connector
18.	N.A.	Connector
19.	11-696788-000	Terminal
20.	N.A.	Video Jump Assembly Cable
21.	11-696265-000	Connector
22.	57-215472-000	Power Supply Jumper Cable Assembly
23.	11-697203-000	Connector

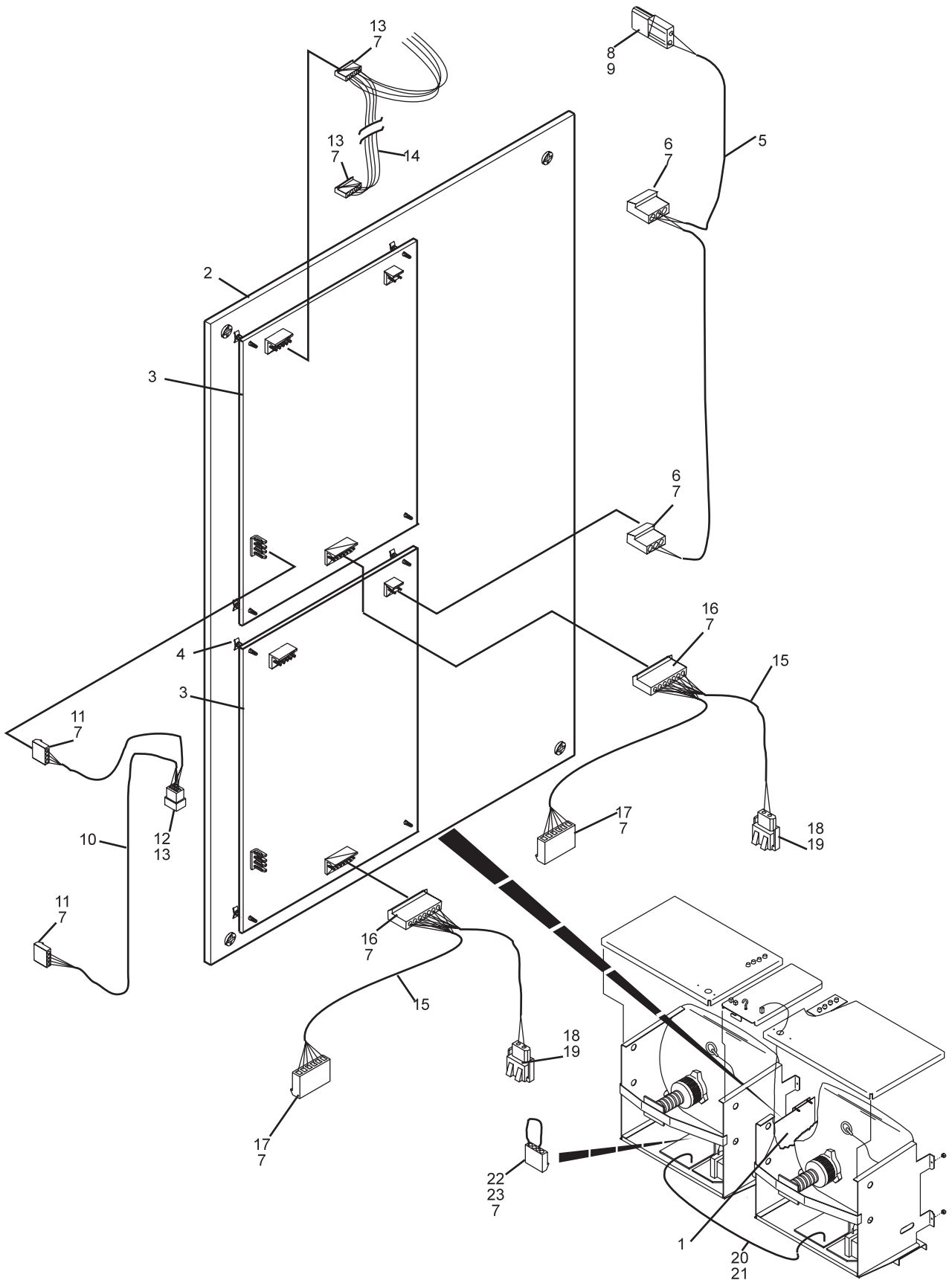
\* You must contact Brunswick Customer Service to determine the correct software for your center. Call 1-800-YES-BOWL (1-800-937-2695)

N.A. = No Longer Available

#### **Associated Interconnecting Cables**

57-215371-000	CPU to 27" Overhead Service Lamp Cable (Field Assembled)
57-215370-000	CPU to 27" Overhead Scorer Video Coax Cable (Field Assembled)
57-214881-000	Comline Daisy Chain Cable
57-214370-000	VCR Video Daisy Chain Cable

## **27" Overhead Video Decoder Assembly (Model F5)**



**27" Overhead Video Decoder Assembly (Model F5)**

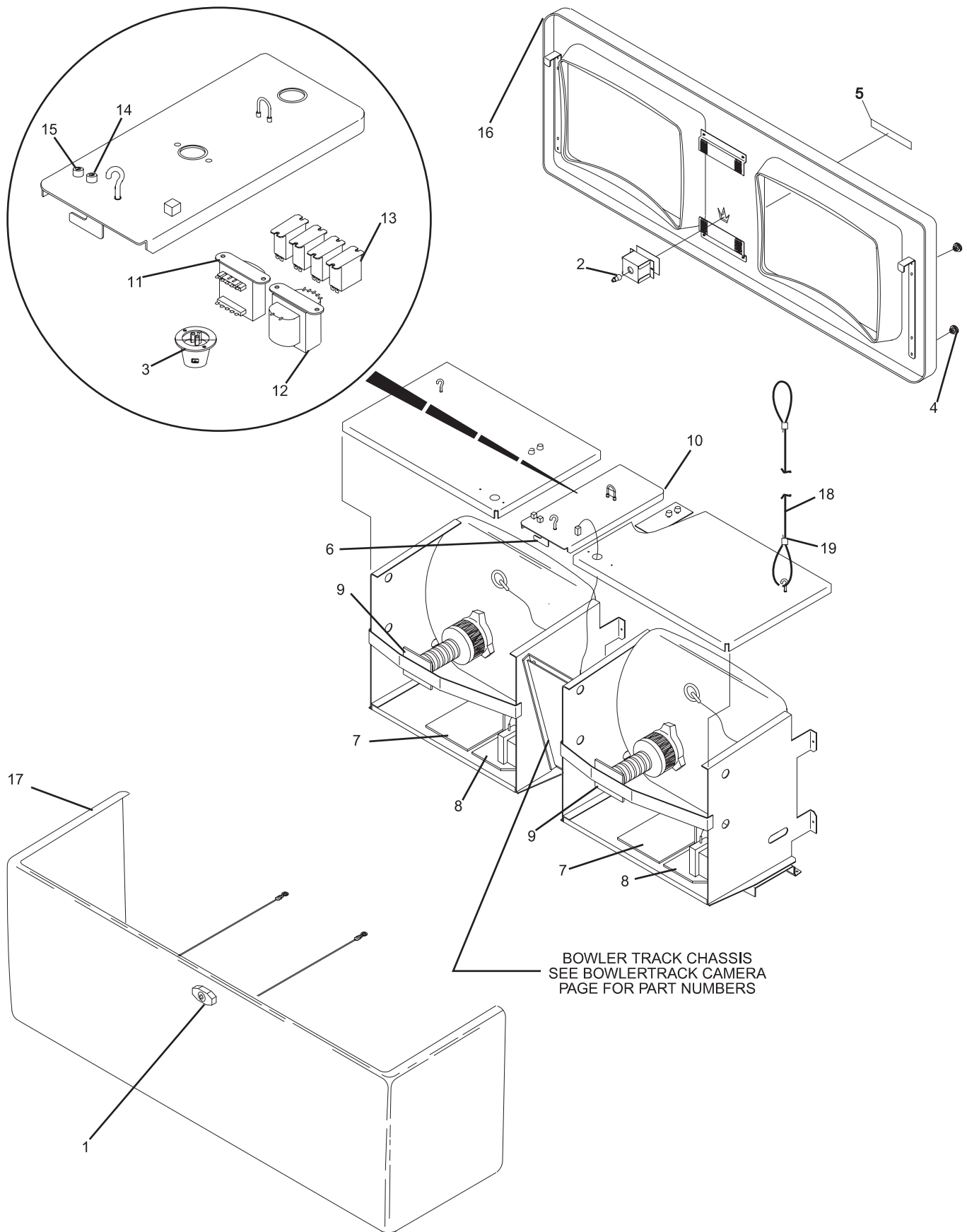
**Index**

<b>No.</b>	<b>Part No.</b>	<b>Description</b>
1.	68-100483-036	Latch
2.	68-100483-033	Miniature Lamp
3.	68-100483-028	Recessed Plug
4.	68-100483-023	Knurled Knob
5.	68-100483-021	"BOWLERVISION" Nameplate
6.	68-100483-018	Latch Lever
7.	*68-860048-002	Brunswick RGB PCB(Brunswick Repair/Exchange)
8.	68-860048-001	High Voltage PCB (9-754) (Brunswick Repair/Exchange)
9.	*68-860048-003	Neck Board PCB (9-523) (Brunswick Repair/Exchange)
10.	68-100483-002	Control Panel Assembly
11.	68-100483-048	Transformer
12.	57-214365-000	Transformer
13.	68-100483-047	Relay
14.	68-100483-046	Fuse (2.00 Amp, 250V)
15.	11-685012-000	Fuse (.50 Amp, 250V)
16.	68-100483-044	Overhead Faceplate
17.	68-100483-042	Monitor Cabinet
18.	57-214924-000	Aircraft Cable
19.	57-214923-000	Oval Cable Sleeve

\* It is necessary to replace both index nos. 7 and 9 together, if either one of these items fail.

**Associated Interconnecting Cables**

68-100487-000	BowlerVision Overhead RGBS Video Coax Cable Assembly (Left or Right)
68-100386-000	BowlerVision Control Cable Assembly (GS-92 Pinsetter)
68-300230-000	BowlerVision Control Cable Assembly (A-2 Pinsetter)



### BowlerVision 27" Overhead

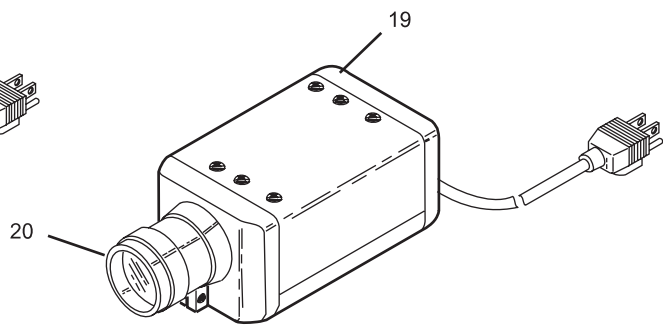
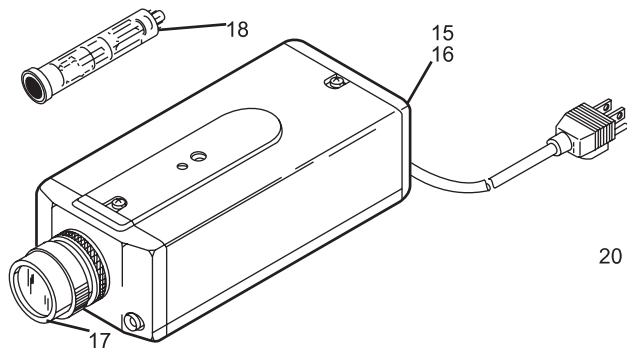
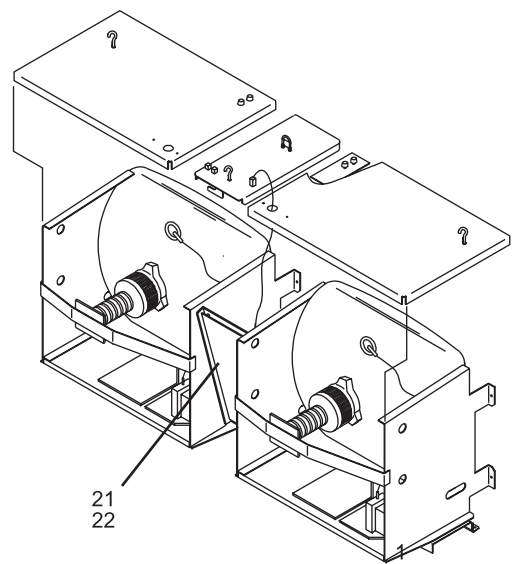
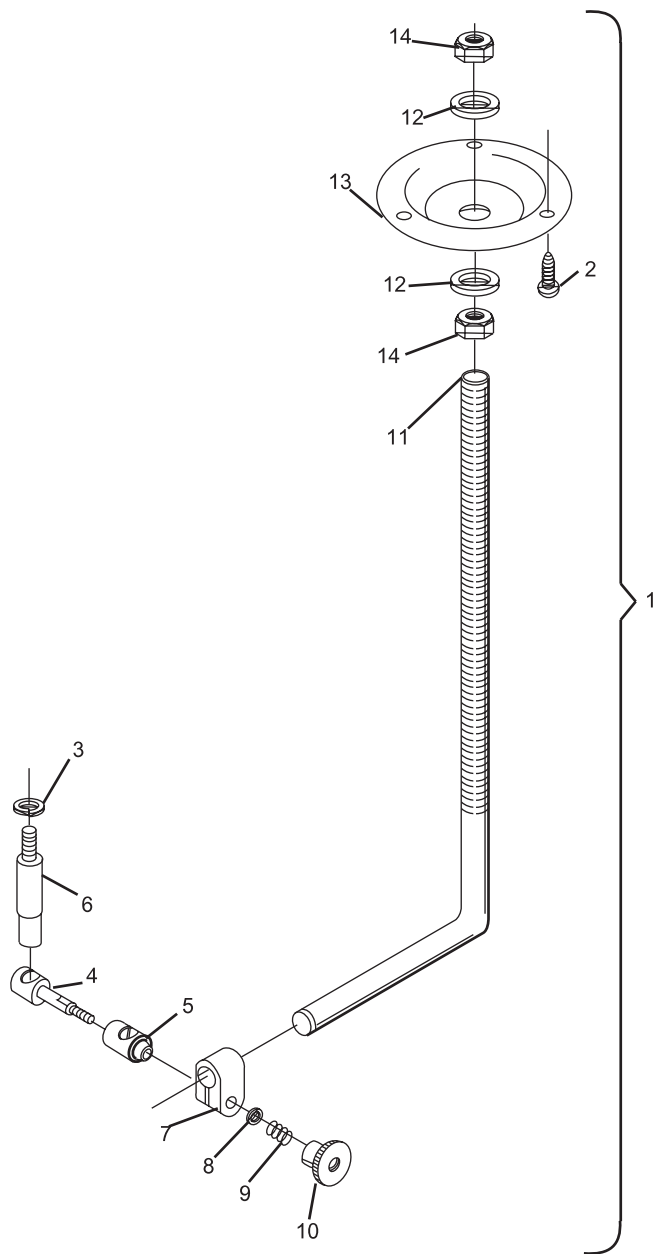
**Index**

<b>No.</b>	<b>Part No.</b>	<b>Description</b>
1.	68-100292-000	Camera Bracket Assembly
2.	11-082549-001	Pan Hd. C. R. Tapping Screw (#8-32 x 1-1/2")
3.	11-195014-001	Lockwasher (#1/4)
4.	68-100434-000	Pivot Arm
5.	68-100435-000	Pivot Arm Cover
6.	68-100436-000	Mount Arm
7.	68-100437-000	Vise
8.	68-100438-000	Eyelet
9.	68-100439-000	Spring
10.	68-100440-000	Knurled Knob
11.	68-100441-000	"L" Bracket
12.	11-190018-001	Plain Washer (#1/2)
13.	68-100444-000	Base
14.	11-125208-001	Hex Jam Nut (#1/2-13)
15.	68-860041-010	Tube Type Camera With Lens Adjusted (60 Hz)
16.	68-860081-000	Tube Type Camera With Lens Adjusted (50 Hz)
17.	68-860042-000	Camera Lens (12.5 mm)
18.	68-860034-000	Camera Tube
19.	68-860162-000	KP-111u-CCD Solid State CCTV Camera
20.	68-860161-000	Fujnon TV Lens (1:1.4/9mm)
21.	68-860086-402	BowlerTrack Chassis PCB Assembly (Replaces 68-100198-000) (For Use With Tube Type Camera) (Brunswick Repair/ Exchange)
22.	*68-860163-403	BowlerTrack Chassis PCB Assembly (For Use With CCD Camera) (Brunswick Repair/ Exchange)

\* You must contact Brunswick Customer Service to determine the correct software for your center. Call 1-800-YES-BOWL (1-800-937-2695)

**Associated Interconnecting Cables**

68-100503-000	Video Cable Assembly (from Camera to BowlerTrack Chassis)
68-100330-000	Local Comline Cable Assembly ("D" Connector to Gamemaker) (110')



**BowlerTrack System**