

Section B

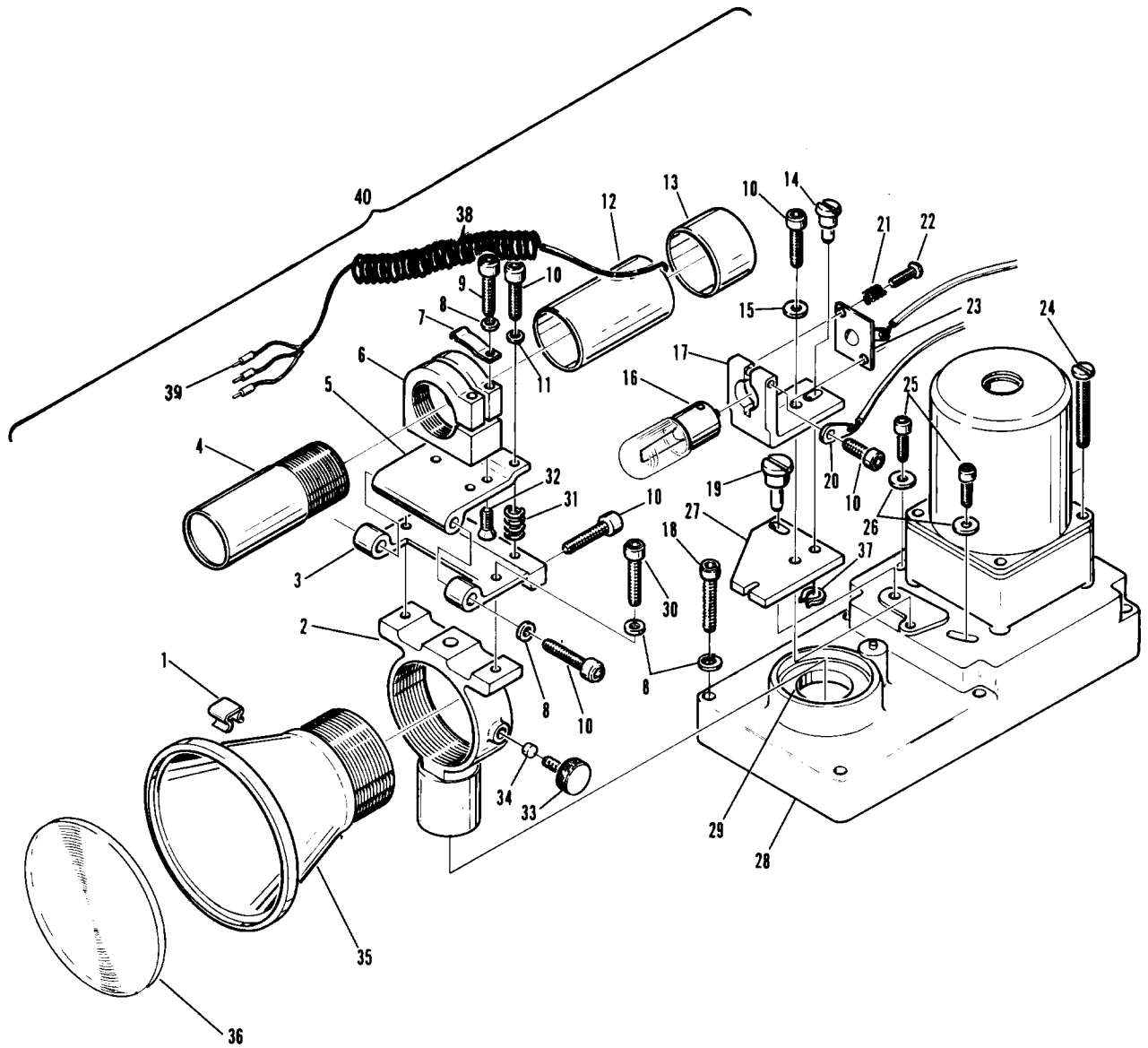
PINSENSING AREA

Index No.	Part No.	Description
1.	17-600521-000	Spring Clip
2.	N.A.	Pivot
3.	17-600516-000	Swivel Base
4.	17-600824-000	Lens Assembly
5.	17-600515-000	Pivot Base
6.	17-600514-000	Clamp
7.	17-600605-000	Cable Clamp
8.	11-195008-001	Lockwasher (#8)
9.	11-003083-001	Hex Hd. Cap Screw (#8-32 x 7/8")
10.	11-003082-001	Hex Hd. Cap Screw (#8-32 x 3/4")
11.	11-190004-001	Plain Washer (#8)
12.	17-600502-091	Photocell Tube Assembly
13.	17-600543-000	Cap
14.	17-600540-000	Adjusting Screw (Lateral)
15.	N.A.	Spring Washer (#8)
16.	17-600914-000	Lamp (#1876)
17.	17-600539-000	Lamp Support
18.	11-003084-001	Hex Hd. Cap Screw (#8-32 x 1")
19.	N.A.	Adjusting Screw (Longitudinal)
20.	11-611501-000	Solder Lug
21.	17-600803-000	Spring
22.	11-013009-001	Pan Hd. Screw (#4-40 x 3/4")
23.	17-600801-000	Lamp Contact Assembly
24.	11-013069-001	Pan Hd. Screw (#8-32 x 1-3/4")
25.	11-050102-001	Hex Socket Hd. Cap Screw (#4-40 x 7/16")
26.	N.A.	Special Plain Washer
27.	N.A.	Base
28.	17-600503-000	Drive Housing Only
29.	11-430007-000	Bearing
30.	11-003078-001	Hex Socket Hd. Screw (#8-32 x 1/2")
31.	11-581007-000	Spring
32.	1-008062-001	Hex Skt. Hd. Cap Screw w/Nylok Washer (#8-32 x 3/8")
33.	N.A.	Thumb Screw (1/4-28)
34.	N.A.	Urethane Plug
35.	17-600518-000	Lens Holder
36.	17-600827-000	Red Lens
37.	11-538001-000	Bowed E-Ring
38.	*17-600913-010	Photocell Cable Assembly
39.	11-617102-000	Terminal
40.	N.A.	Scanner Assembly - Complete (Brunswick Repair/Exchange)

*Does not include board or phototransistor.

N.A. = No Longer Available

Model 79 Scanner Assembly



**Model 79
Scanner Assembly**

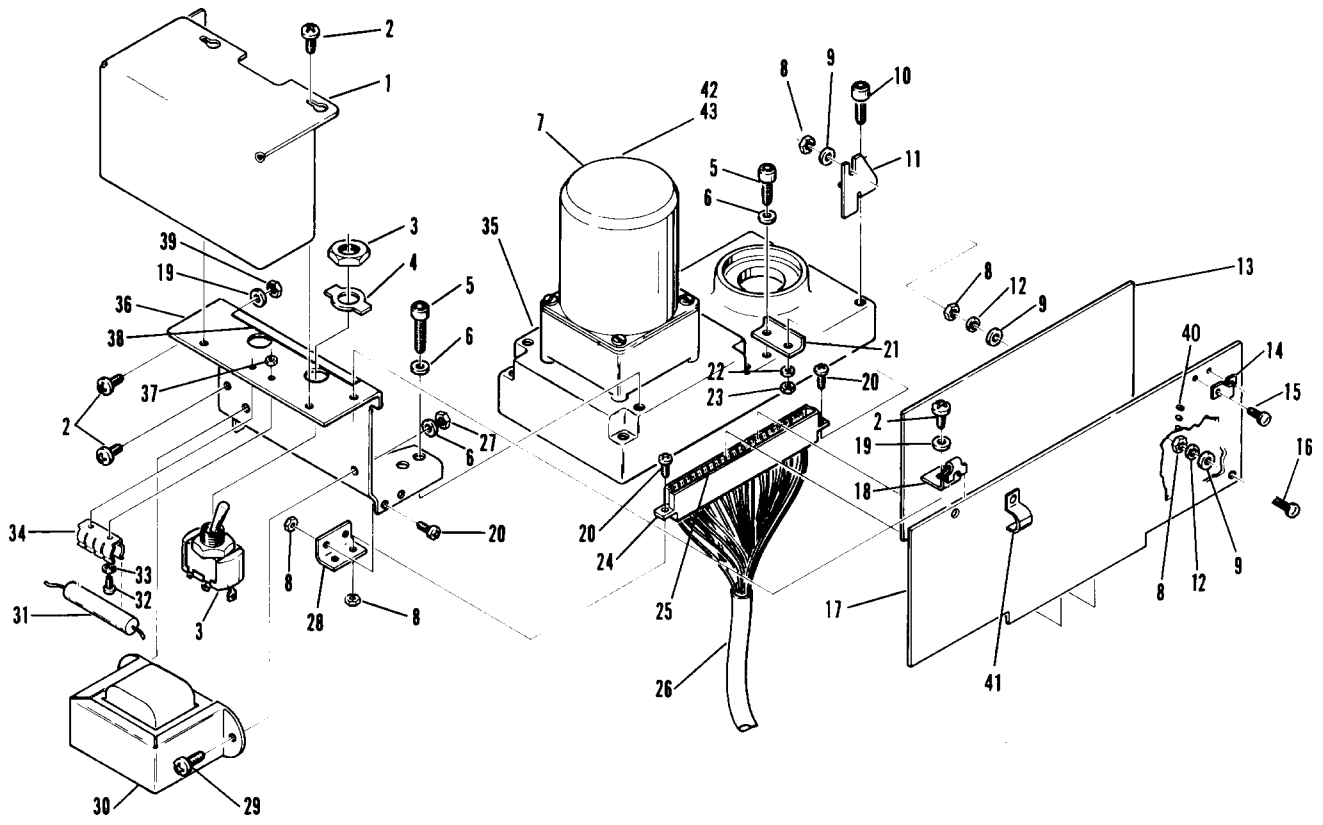
Index No.	Part No.	Description
1.	17-600716-000	Power Supply Cover
2.	11-012270-001	Pan Hd. C.R. Screw (#6-32 x 1/4")
3.	11-615509-000	Toggle Switch
4.	11-616602-000	Indicating Plate (On-Off)
5.	11-003075-001	Hex Skt Hd. Cap Screw (#8-32 x 5/16")
6.	11-195008-001	Lock Washer (#8)
7.	N.A.	Gear Motor
8.	11-125000-001	Hex Nut (#4-40)
9.	11-190000-001	Plain Washer (#4)
10.	11-003084-001	Hex Skt. Hd. Cap Screw (#8-32 x 1")
11.	17-600779-000	Support
12.	11-195004-001	Lockwasher (#4)
13.	N.A.	Shield
14.	11-619052-000	Wire Clamp
15.	11-083041-001	Round Hd. Self Tapping Screw (#4 x 1/4")
16.	11-013008-001	Pan Hd. Screw (#4-40 x 5/8")
17.	17-860427-012	Scanner PCB Assembly (Brunswick Repair/Exchange)
18.	17-600599-000	Speed Clip
19.	11-195006-001	Lock Washer (#6)
20.	11-012254-001	Pan Hd. C.R. Screw (#4-40 x 3/8")
21.	17-600536-000	Angle Bracket
22.	N.A.	Internal Tooth Lock Washer (#4)
23.	11-170000-001	Self Locking Nut (#4-40)
24.	11-680255-000	Connector
25.	11-680303-000	Terminal
26.	17-600717-000	Cable Assembly
27.	11-125003-001	Hex Nut (#8-32)
28.	N.A.	Angle Bracket
29.	11-012308-001	Pan Hd. C.R. Screw (#8-32 x 3/8")
30.	17-600513-000	Transformer Assembly
31.	11-692505-000	Wirebound Resistor 100 Ohms
32.	N.A.	Pan Hd. Screw (#2-56 x 1/4")
33.	11-195002-001	Lock Washer (#2)
34.	17-600609-000	Mounting Clip
35.	17-600503-000	Drive Housing
36.	17-600551-000	Power Supply Bracket
37.	11-124105-000	Electrical Hex Nut (#2-56)
38.	17-600750-000	Power Supply Decal
39.	11-125001-001	Hex Nut (#6-32)
40.	11-617101-000	Terminal
41.	17-600837-000	"C" Clamp
42.	17-600535-002	Gear Head Only
43.	17-600535-003	Motor Only

N.A. = No Longer Available

Associated Interconnecting Cables

57-214165-000 Scanner to New Pins Solenoid Cable Assembly

Model 79 Scanner Assembly

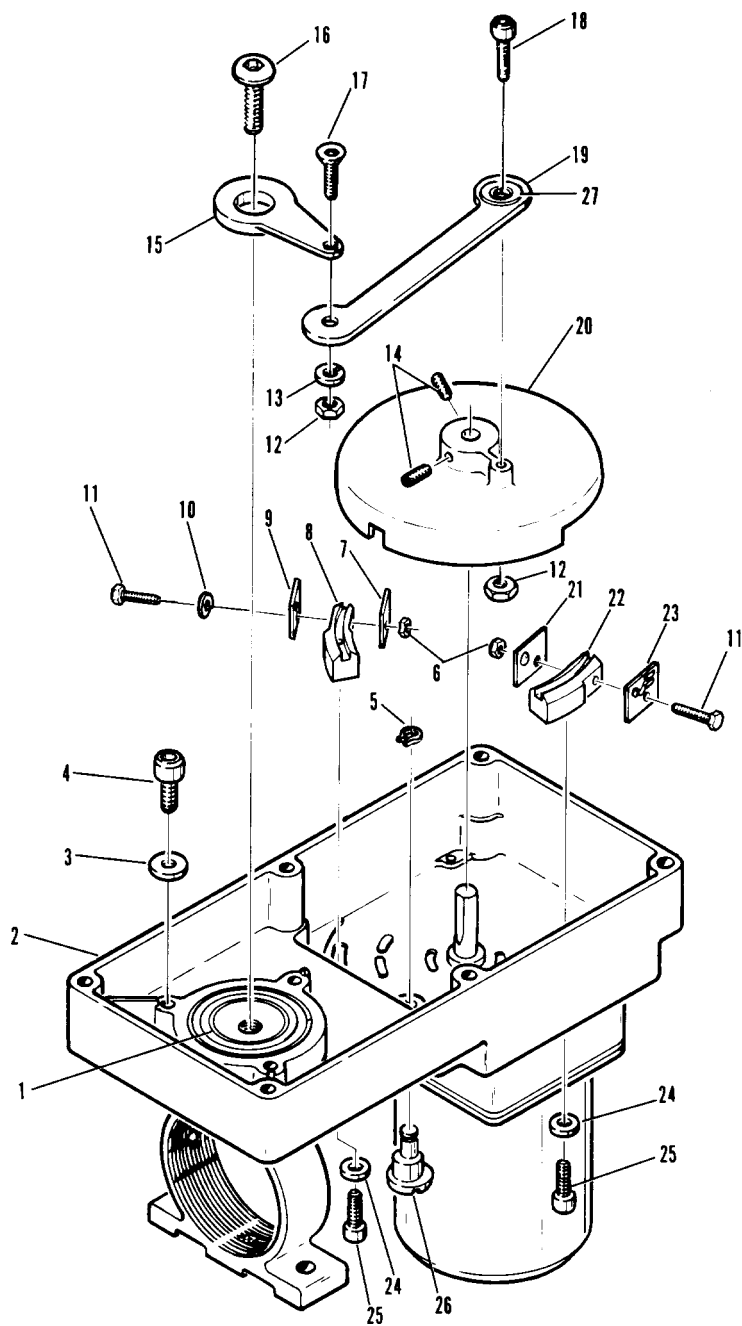


**Model 79
Scanner Assembly**

Index No.	Part No.	Description
1.	11-430007-000	Bearing
2.	17-600503-000	Drive Housing only
3.	11-190004-001	Plain Washer (#8)
4.	11-003075-001	Hex Hd. Skt. Cap Screw (#8-32 x 5/16")
5.	11-538001-000	Bowed E-Ring
6.	11-124105-000	Electrical Hex Nut (#2-56)
7.	17-860426-003	LED PCB Assembly
8.	17-600531-000	L.H. Segment
9.	17-860426-004	Phototransistor PCB Assembly
10.	11-195002-001	Lockwasher (#2)
11.	11-013242-001	Pan Hd. Screw (#2-56 x 5/8")
12.	11-125013-001	Hex Nut (#5-40)
13.	11-195005-001	Lockwasher (#5)
14.	11-101526-001	Set Screw (#8-32 x 1/4")
15.	N.A.	Crank
16.	11-006180-001	B. Skt. Hd. Cap Screw (1/4-20 x 5/8")
17.	11-008004-001	F. Skt Hd. Cap Screw (#5-40 x 1/2")
18.	11-005858-001	H. Skt. Hd. Cap Screw (#5-40 x 3/4")
19.	17-600800-054	Drive Link Assembly
20.	17-600715-000	Drive Wheel
21.	17-860426-005	LED PCB Assembly
22.	17-600530-000	R.H. Segment
23.	17-860426-006	Phototransistor PCB Assembly
24.	N.A.	Plain Washer
25.	11-050102-001	H. Skt. Hd. Cap Screw (#4-40 x 7/16")
26.	N.A.	Adjusting Screw (Longitudinal)
27.	11-501008-000	Bearing

N.A. = No Longer Available

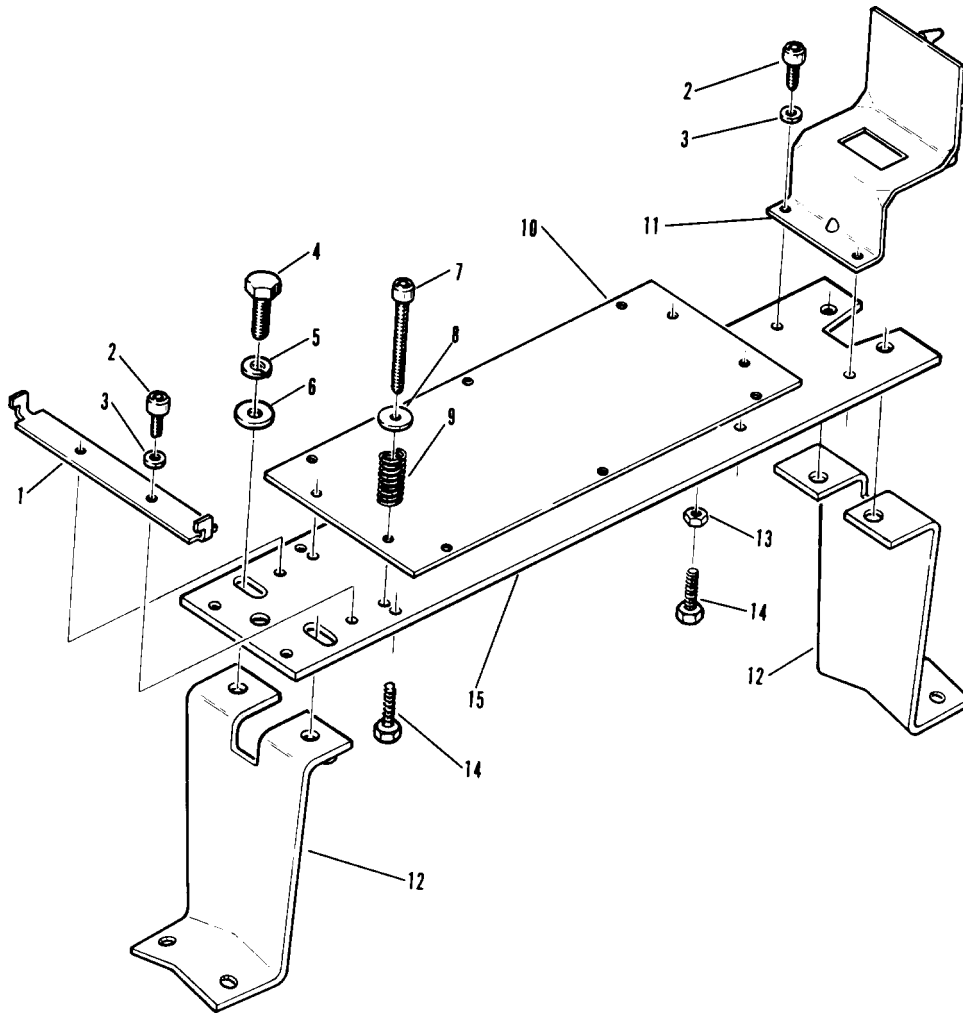
Model 79 Drive Housing Assembly



**Model 79
Drive Housing Assembly**

Index No.	Part No.	Description
1.	17-600566-000	Cover Mounting Bracket
2.	11-003075-001	Hex Skt. Hd. Cap Screw (#8-32 x 5/16")
3.	11-195008-001	Lockwasher (#8)
4.	11-001180-001	Hex Hd. Cap Screw (1/4-20 x 5/8")
5.	11-195014-001	Lockwasher (1/4)
6.	11-190010-001	Plain Washer (1/4)
7.	11-005073-001	Hex Skt. Hd. Cap Screw (#8-32 x 1-1/2")
8.	11-190004-001	Plain Washer (#8)
9.	11-581008-000	Spring
10.	17-600525-000	Mounting Plate
11.	17-600550-000	Support and Pin Assembly
12.	17-600805-002	Support Bracket (4")
	17-600805-003	Support Bracket (1-1/2")
13.	11-125003-001	Hex Nut (#8-32)
14.	11-001027-001	Hex Hd. Cap Screw (#8-32 x 3/4")
15.	17-600804-000	Support Base

**Model 79
Scanner Mount Assembly**

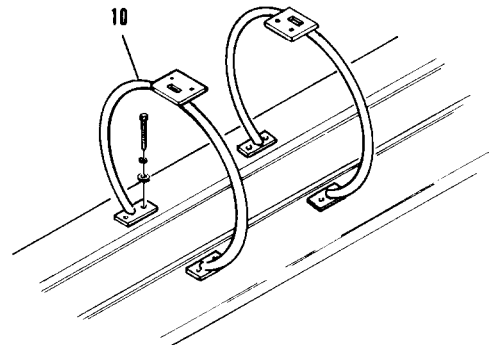
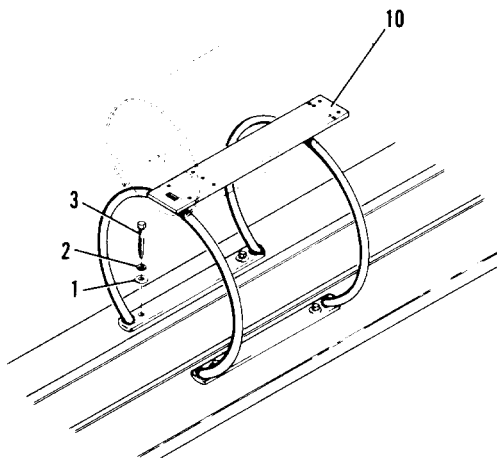
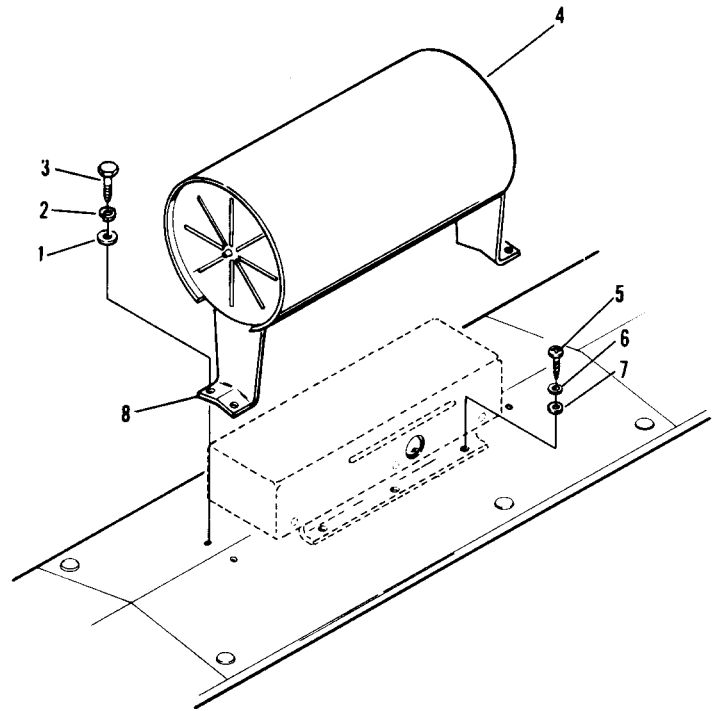
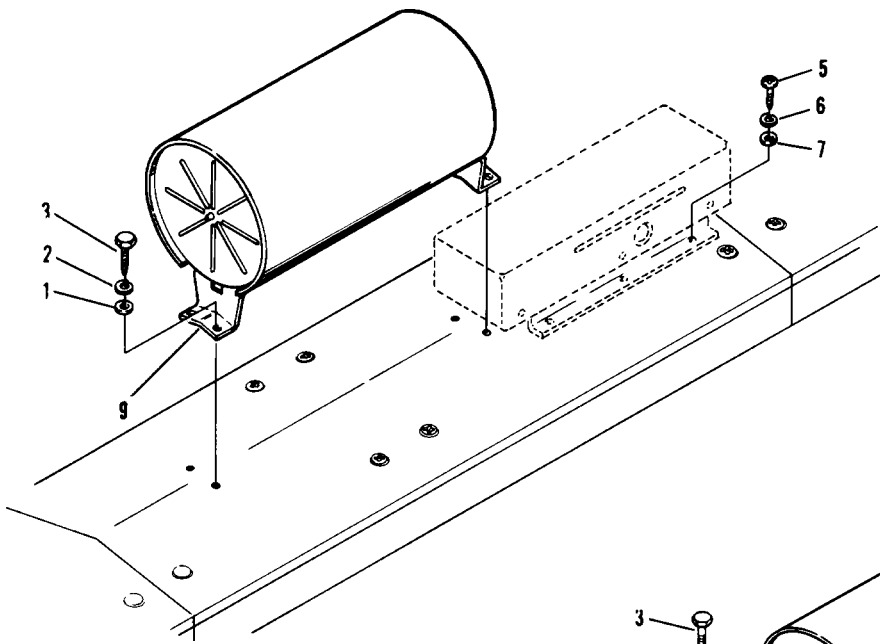


**Model 79
Scanner Mount Assembly**

Index No.	Part No.	Description
1.	11-191010-001	Plain Washer (1/4)
2.	11-195014-001	Lockwasher (1/4)
3.	11-070522-001	Hex Hd. Lag Screw (1/4 x 1-1/4")
4.	N.A.	Tube Assembly (Astroline Grey)
	17-600565-010	Tube Assembly (B-2000 Brown)
5.	11-042564-001	Round Hd. C.R. Wood Screw (#10 x 3/4")
6.	11-195010-001	Lockwasher (#10)
7.	11-190006-001	Plain Washer (#10)
8.	17-600805-002	Scanner Support Bracket - Subway (4")
9.	17-600805-003	Scanner Support Bracket - Concealed Surface (1-1/2")
10.	17-600807-000	Scanner Support (Brunswick Surface)
	17-600808-000	Scanner Support (AMF Surface)

N.A. = No Longer Available

**Model 79
Scanner Cover Assemblies**



**Model 79
Scanner Cover Assemblies**

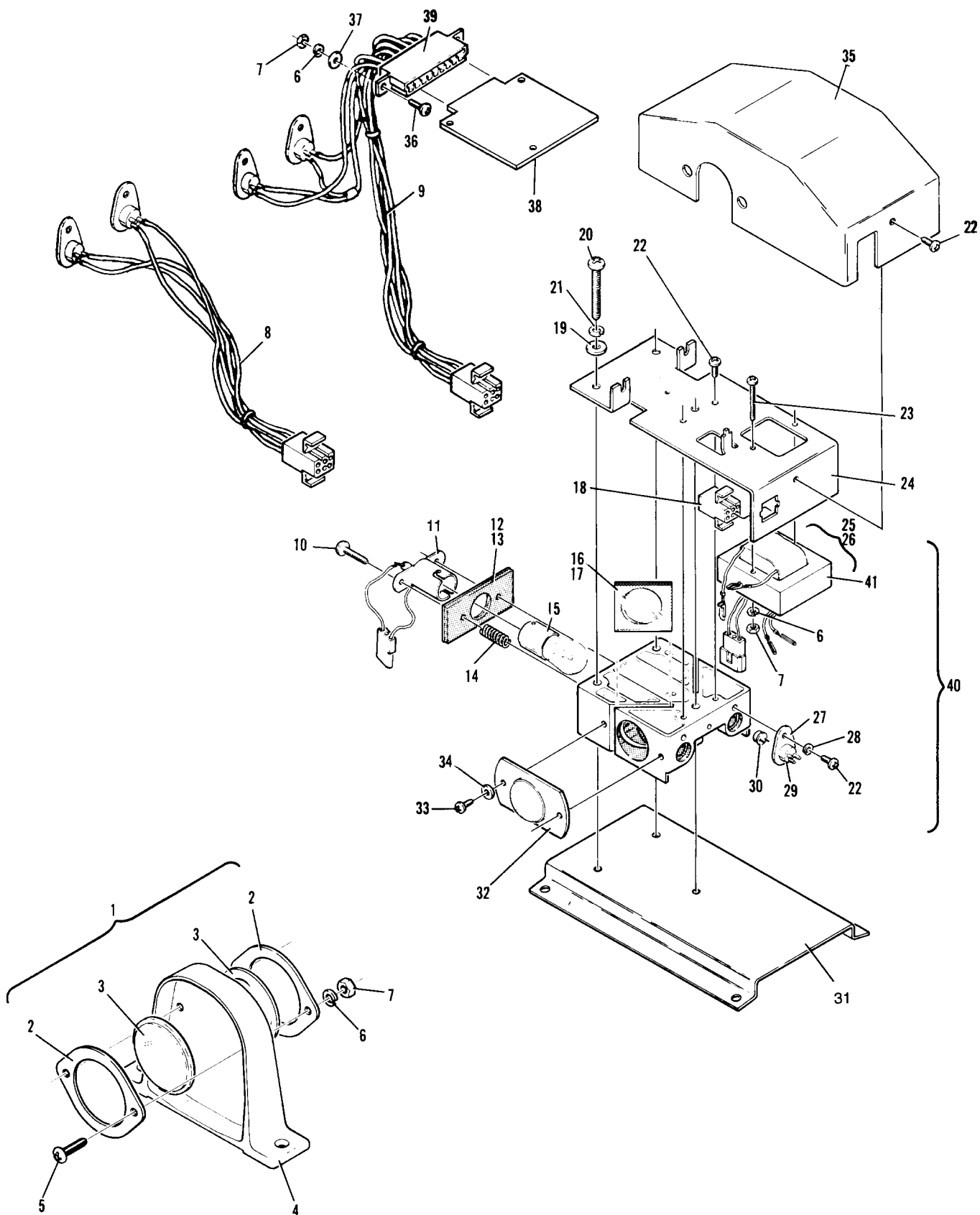
Index No.	Part No.	Description
1.	17-600771-000	Reflector Assembly - Complete
2.	17-600773-000	Plate
3.	53-600101-000	Reflector
4.	17-600770-000	Reflector Housing
5.	11-013007-001	Pan Hd. Screw (#4-40 x 9/16")
6.	11-195004-001	Lockwasher (#4)
7.	11-125000-001	Hex Nut (#4-40)
8.	57-214314-000	Ball Detector Harness Assembly (AS-80 Scorer System)
9.	N.A.	Ball Detector Harness Assembly (I.C. Scorer System)
10.	11-012277-001	Pan Hd. Screw (#6-32 x 3/4")
11.	53-600097-051	Socket and Connector Assembly
12.	53-600033-000	Cover Plate
13.	53-600037-000	Seal
14.	53-600105-000	Spring
15.	11-675514-002	Lamp
16.	53-600062-000	Seal
17.	53-600063-000	Mirror
18.	11-680207-000	Receptacle
19.	11-190006-001	Plain Washer (#10)
20.	N.A.	Pan Hd. Screw (#10-24 x 1-1/2")
21.	11-195010-001	Lockwasher (#10)
22.	11-012270-001	Pan Hd. Screw (#6-32 x 1/4")
23.	11-012261-001	Pan Hd. Screw (#4-40 x 1")
24.	17-600576-000	Base
25.	N.A.	Transformer Assembly (I.C. Scorer System)
26.	57-214310-000	Transformer Assembly (AS-80 Scorer System)
27.	53-600067-000	Bracket
28.	11-195006-001	Lockwasher (#6)
29.	53-600060-000	Mount
30.	53-600059-000	Photocell
31.	17-600764-000	Ball Detector Support Assembly
32.	53-600047-000	Lens Assembly
33.	11-012271-001	Pan Hd. Screw (#6-32 x 5/16")
34.	11-190002-001	Washer (#6)
35.	17-600769-000	Ball Detector Cover
36.	11-107004-001	Round Hd. Screw (#4-40 x 3/8")
37.	11-190000-001	Plain Washer (#4)
38.	N.A.	Printed Circuit Board (I.C. Scorer System)
39.	N.A.	Connector (I.C. Scorer System)
40.	57-860078-000	Ball Detector Assembly - Complete (AS-80 Scorer System) (Brunswick Repair/Exchange)
41.	17-600577-000	Transformer

N.A. = No Longer Available

Associated Interconnecting Cables

57-214313-000	Ball Detect to D/A Box Cable Assembly (Surface Return)
---------------	--

Model 79 Ball Detector and Reflector Assemblies



**Model 79
Ball Detector and Reflector Assemblies**

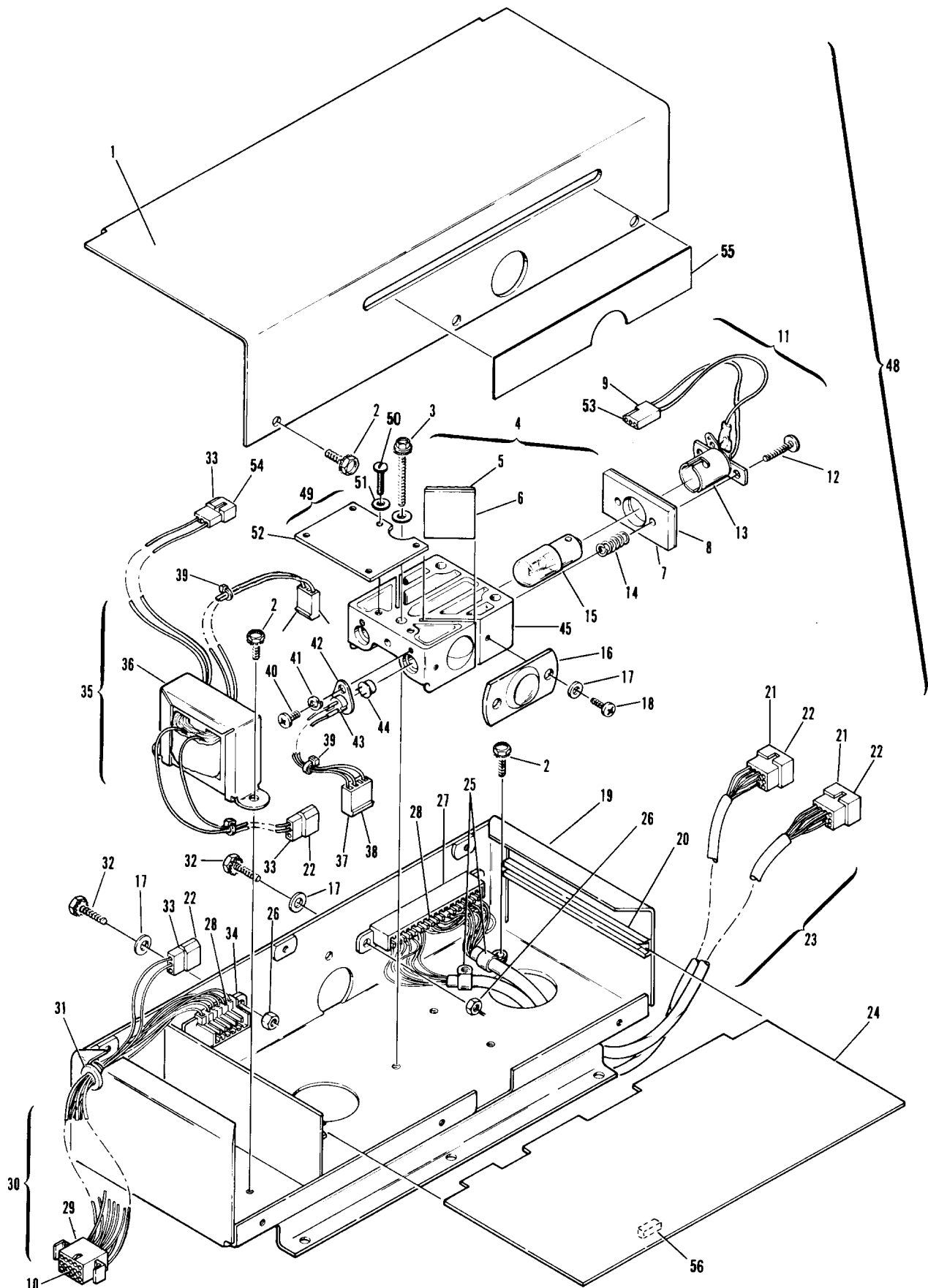
Index No.	Part No.	Description
1.	57-214045-000	Housing Cover
2.	11-015121-001	Hex Hd. Sems Screw (#8-32 x 3/8")
3.	11-015133-001	Hex Hd. Sems Screw (#8-32 x 1-1/2")
4.	53-600065-000	Optical Head Assembly - Complete (Brunswick Repair/Exchange)
5.	53-600062-000	Mirror Seal
6.	53-600063-000	Mirror Only
7.	53-600033-000	Cover Plate
8.	53-600037-000	Adjusting Seal
9.	11-680201-000	Receptacle
10.	11-680301-000	Terminal
11.	53-600097-051	Socket and Connector Assembly
12.	11-012277-001	Pan Hd. C.R. Screw (#6-32 x 3/4")
13.	53-600096-000	Socket Only
14.	53-600105-000	Spring
15.	11-675514-002	Lamp (#1876)
16.	53-600047-000	Lens Assembly
17.	11-190002-001	Plain Washer (#6)
18.	11-012271-001	Pan Hd. C.R. Screw (#6-32 x 5/16")
19.	57-214043-000	Housing Only
20.	11-613102-000	Card Guide
21.	11-680108-000	Connector
22.	11-680302-000	Terminal
23.	57-214154-000	Cable Assembly (Brunswick)
	N.A.	Cable Assembly (AMF)
24.	57-860036-000	Data Acquisition PCB Assembly (Brunswick Repair/Exchange)
25.	11-604104-000	Cable Clamp (5/16")
26.	11-125001-001	Hex Nut (#6-32)
27.	11-696791-000	Edge Connector
28.	11-696785-000	Terminal
29.	11-680209-000	Receptacle
30.	57-214165-000	A/P Interface to Scanner Cable Assembly
31.	N.A.	Grommet (1/4)
32.	11-015043-001	Hex Hd. Sems Screw (#6-32 x 1/2")
33.	11-680101-000	Connector
34.	11-696777-000	Connector
35.	57-214167-000	Transformer Assembly - Complete
36.	11-697104-000	Transformer Only
37.	11-697202-000	Connector
38.	11-680322-000	Terminal
39.	11-603108-000	Cable Tie
40.	11-012270-001	Pan Hd. C.R. Screw (#6-32 x 1/4")
41.	11-195006-001	Lockwasher (#6)
42.	53-600067-000	Photocell Bracket
43.	53-600060-000	Photocell Mount
44.	53-600059-000	Photocell Only
45.	53-600057-000	Housing Block
46.	11-190004-001	Plain Washer (#8)
47.	11-697201-000	Connector
48.	57-860017-002	Data Acquisition Box - Complete
49.	N.A.	Ball Detect Kit - Complete (Brunswick Repair/Exchange)
50.	11-013022-001	Screw (#6-32 x 3/8")
51.	11-190548-001	Plain Washer
52.	57-860137-000	Ball Detect PCB Assembly
53.	11-680306-000	Terminal
54.	11-680307-000	Terminal
55.	57-214339-000	Decal
56.	11-615180-000	Switch

N.A. = No Longer Available

Associated Interconnecting Cables

57-214153-000 A/C PCB, Foul Unit to A/P Interface Cable Assembly

Model 79 Data Acquisition Box Assembly



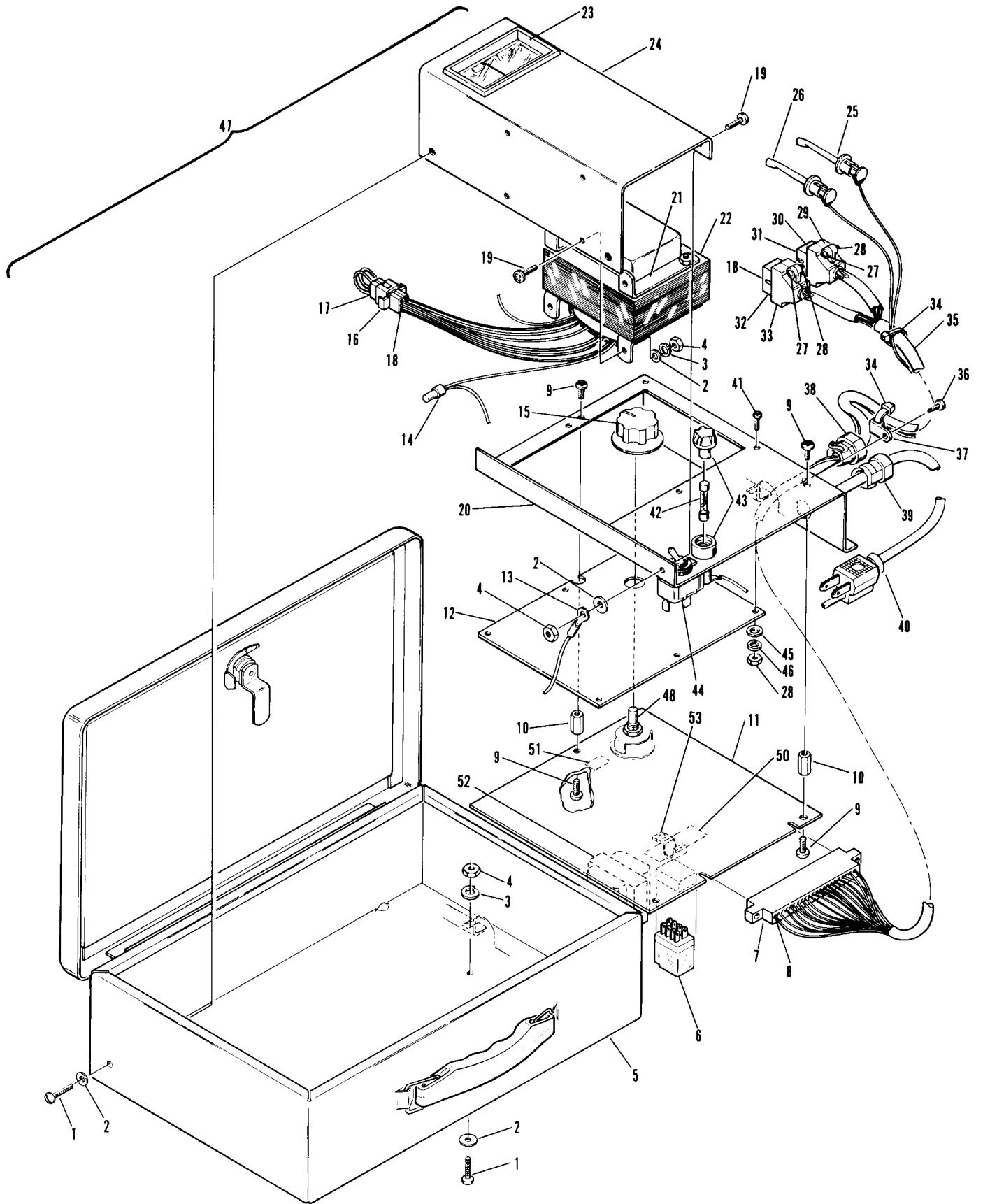
**Model 79
Data Acquisition Box Assembly**

Index No.	Part No.	Description
1.	11-107068-001	Round Hd. Screw (#8-32 x 3/4")
2.	11-190004-001	Plain Washer (#8)
3.	11-195008-001	Lock Washer (#8)
4.	11-125003-001	Hex Nut (#8-32)
5.	N.A.	Box Only
6.	11-672650-000	Relay
7.	11-614601-000	Connector
8.	11-612777-000	Contact
9.	11-012272-001	Pan Hd. C.R. Screw (#6-32 x 3/8")
10.	17-600906-009	Standoff
11.	N.A.	PCB Assembly
12.	17-600906-019	Display Lens
13.	11-612007-000	Connector
14.	11-609502-000	Wire Connector
15.	17-600906-006	Knob
16.	11-680207-000	Receptacle
17.	53-600119-003	Plug Assembly - 115 Volt
18.	11-680301-000	Terminal
19.	N.A.	Pan Hd. C.R. Screw (#8-32 x 1/2")
20.	N.A.	Display Faceplate
21.	17-600906-027	Bracket
22.	17-600732-000	Transformer Assembly
23.	17-600906-007	Meter
24.	N.A.	Meter Faceplate
25.	17-600906-010	Red Test Probe
26.	17-600906-011	Black Test Probe
27.	11-012254-001	Round Hd. C.R. Screw (#4-40 x 3/8")
28.	11-125000-001	Hex Nut (#4-40)
29.	N.A.	Strain Relief
30.	N.A.	Connector
31.	11-680302-000	Terminal
32.	11-680209-000	Receptacle
33.	17-600906-005	Strain Relief
34.	11-603108-000	Cable Tie
35.	17-600906-022	Wire Harness Assembly
36.	N.A.	Pan Hd. C.R. Self Tapping Screw (#8 x 5/8")
37.	11-603125-000	Mounting Plate
38.	11-611011-000	Strain Relief Bushing
39.	11-611009-000	Strain Relief Bushing
40.	17-213801-000	Cord Set Assembly
41.	11-012253-001	Pan Hd. C.R. Screw (#4-40 x 5/16")
42.	11-684005-000	Fuse (3 Amp)
43.	53-600056-000	Fuse Holder
44.	11-615506-000	Toggle Switch
45.	11-190000-001	Plain Washer (#4)
46.	11-195004-001	Lockwasher (#4)
47.	17-860514-000	Scanner Tester - Complete (Brunswick Repair/Exchange)
48.	17-600906-008	Rotary Switch
49.	*17-900247-000	Scanner Tester Manual
50.	17-600906-025	Fish Paper (3" x 1")
51.	17-600906-026	Fish Paper (1-1/4" x 1/2")
52.	53-600128-000	Transformer
53.	N.A.	"C" Clamp

*Not Illustrated

N.A. = No Longer Available

Model 79 Scanner Tester Assembly



**Model 79
Scanner Tester Assembly**

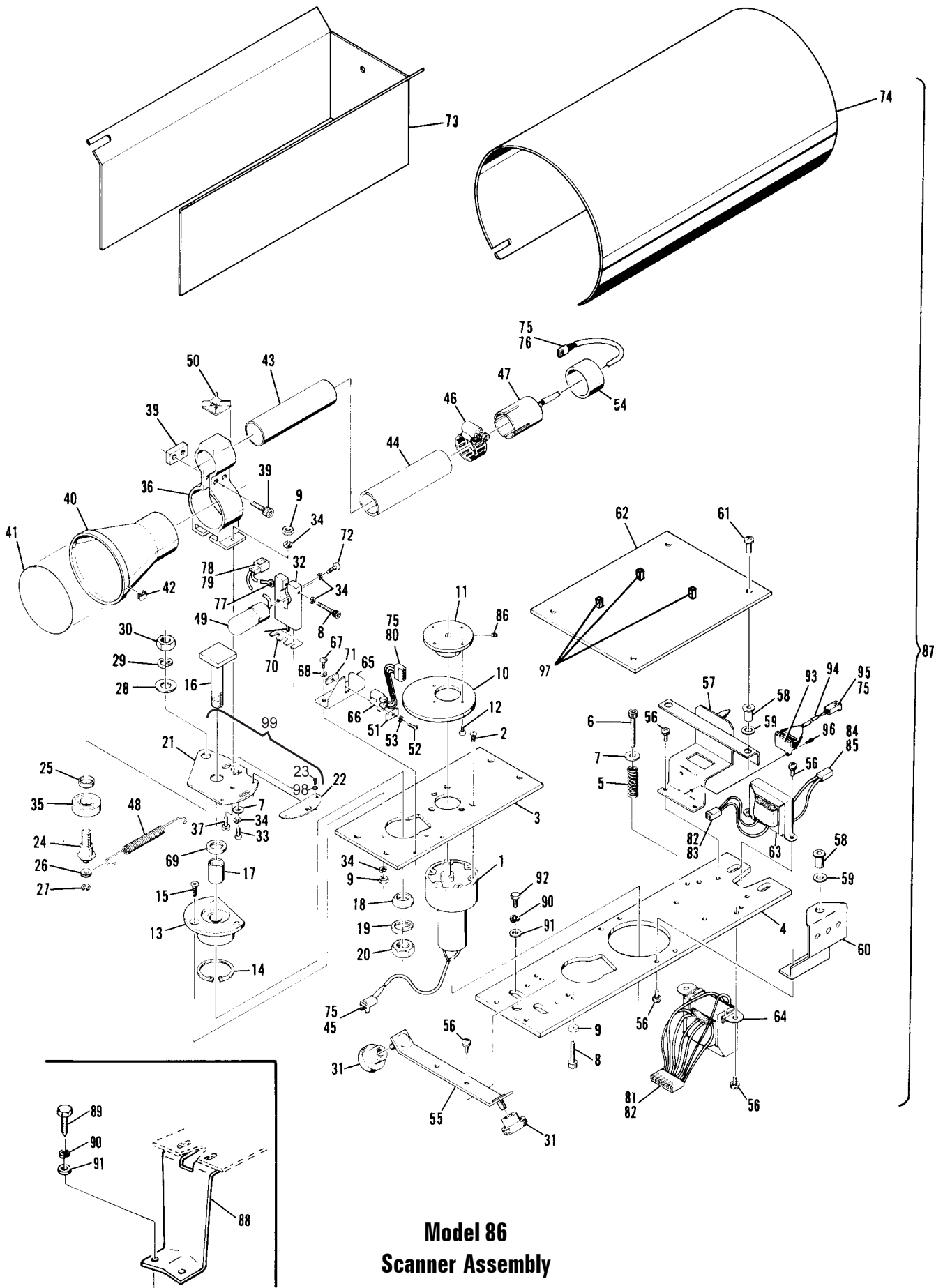
Index No.	Part No.	Description	Index No.	Part No.	Description
1.	57-860261-000	Motor Assembly (includes index nos. 75 & 45)	51.	10-616059-000	Backing Plate
2.	11-052458-001	Flat Hd. Screw (3mm x 6mm)	52.	11-013005-001	Pan Hd. Screw (#4-40 x 7/16")
3.	N.A.	Mounting Plate	53.	11-195004-001	Lockwasher (#4)
4.	57-214657-000	Support Base	54.	17-600543-000	Cap
5.	11-581008-000	Spring	55.	57-214693-000	Mount
6.	11-005073-001	Skt Hd. Screw (#8-32 x 1-1/2")	56.	11-012057-001	Pan Hd. Screw w/ Lockwasher (#8-32 x 5/16")
7.	11-190004-001	Washer (#8)	57.	57-214688-000	Support and Pin Assembly
8.	11-005069-001	Skt. Hd. Screw (#8-32 x 1")	58.	11-135501-001	Well Nut
9.	11-125003-001	Hex Nut (#8-32)	59.	N.A.	Nylon Washer
10.	57-214652-000	Cam	60.	57-214687-000	Bracket
11.	57-214681-000	Cam Hub	61.	11-013026-001	Pan Hd. Screw (#6-32 x 5/8")
12.	11-006036-001	Button Hd. Skt. Screw (#6-32 x 1/4")	62.	57-860237-401	Printed Circuit Board (Brunswick Repair/Exchange)
13.	57-214672-000	Bearing Housing	63.	57-860260-000	Transformer Assembly (includes index nos. 82,83, 84 & 85)
14.	11-531505-001	Retaining Ring	64.	57-860259-000	Transformer Assembly (includes index nos. 81 & 82)
15.	N.A.	Flat Hd. Skt. Screw (#8-32 x 7/16")	65.	57-214954-000	Bracket
16.	57-214678-000	Bearing Stud	66.	57-214966-000	Interrupt Cable Assembly (includes index nos. 75 & 80)
17.	57-214673-000	Spacer	67.	11-013020-001	Pan Hd. Screw (#6-32 x 1/4")
18.	57-214674-000	Spacer	68.	11-195006-001	Lockwasher (#6)
19.	11-195017-001	Lock Washer (7/16)	69.	57-214955-000	Spacer
20.	11-125106-001	Hex Nut (7/16-14)	70.	57-214958-000	Shim
21.	57-214965-000	Plate	71.	10-616060-000	Nut Plate
22.	57-214947-000	Plate	72.	11-012308-001	Pan Hd. Screw (#8-32 x 3/16")
23.	11-021011-001	Screw (#2-56 x 3/16")	73.	57-214926-000	Base
24.	57-214677-000	Cam Follower Stud	74.	57-214696-000	Tube Assembly
25.	57-214675-000	Spacer	75.	11-680326-000	Crimp Terminal
26.	N.A.	Spring Wheel	76.	11-697236-000	Connector
27.	11-537013-000	Retaining Ring	77.	11-612010-000	Ring Terminal
28.	11-190014-001	Washer (3/8)	78.	11-680116-000	Connector
29.	11-195016-001	Lockwasher (3/8)	79.	11-680302-000	Terminal
30.	11-125104-001	Hex Nut (3/8-16)	80.	11-697234-000	Receptacle
31.	57-214527-000	Knob	81.	11-697207-000	Connector
32.	57-214685-000	Lamp Block	82.	11-680322-000	Terminal
33.	11-006063-001	Button Hd. Skt. Screw (#8-32 x 1/2")	83.	11-697204-000	Connector
34.	11-195008-001	Lockwasher (#8)	84.	11-680216-000	Receptacle
35.	11-434001-000	Bearing	85.	11-680301-000	Terminal
36.	57-214686-000	Pivot Mount	86.	11-099580-001	Set Screw
37.	11-010060-001	Hex Hd. Screw (#8-32 x 1/2")	87.	94-860205-475	Model 86 Scanner Assembly - Complete (Refurbished) (Brunswick Repair/Exchange)
38.	57-214676-000	Nut Plate	88.	17-600805-002	Support Bracket (4")
39.	11-003182-001	Skt. Hd. Screw (1/4-20 x 3/4")	89.	11-070522-001	Hex Hd. Lag Screw (1/4-10 x 1-1/4")
40.	57-214664-000	Projection Lens Holder	90.	11-195014-001	Lockwasher (1/4)
41.	17-600827-000	Projection Lens	91.	11-190010-001	Plain Washer (1/4)
42.	17-600521-000	Spring Clip	92.	11-001180-001	Hex Hd. Cap Screw (1/4-20 x 5/8")
43.	57-214922-000	Lens Tube Assembly (includes index no. 44)	93.	11-692530-000	Resistor
44.	11-902514-000	Paper (black)	94.	57-214931-000	Cable Assembly
45.	11-697237-000	Connector	95.	11-697233-000	Connector
46.	11-603203-000	Hose Clamp	96.	N.A.	Pan Hd. Screw (#2-56 x 1/4")
47.	57-860256-000	Photocell Assembly (includes index nos. 75 & 76)	97.	11-697184-000	Shorting Plug
48.	57-214978-000	Tension Spring	98.	11-195002-001	Lockwasher #2
49.	57-860258-000	Cable Lamp Assembly (includes index nos. 77, 78, & 79)	99.	57-214957-000	Window Plate Assembly (includes index nos. 21, 23, 24 & 98)
50.	11-603126-000	Cable Tie Mount			

Associated Interconnecting Cables

- 57-214895-000 A/C PCB to Scanner Cable Assembly
- 57-214896-000 Scanner to Brunswick A/P Cable Assembly
- 57-214927-000 Scanner to AMF Interface Cable Assembly
- 57-214902-000 Scanner to Ball Detect Cable Assembly

N.A. = No Longer Available

**Model 86
Scanner Assembly**

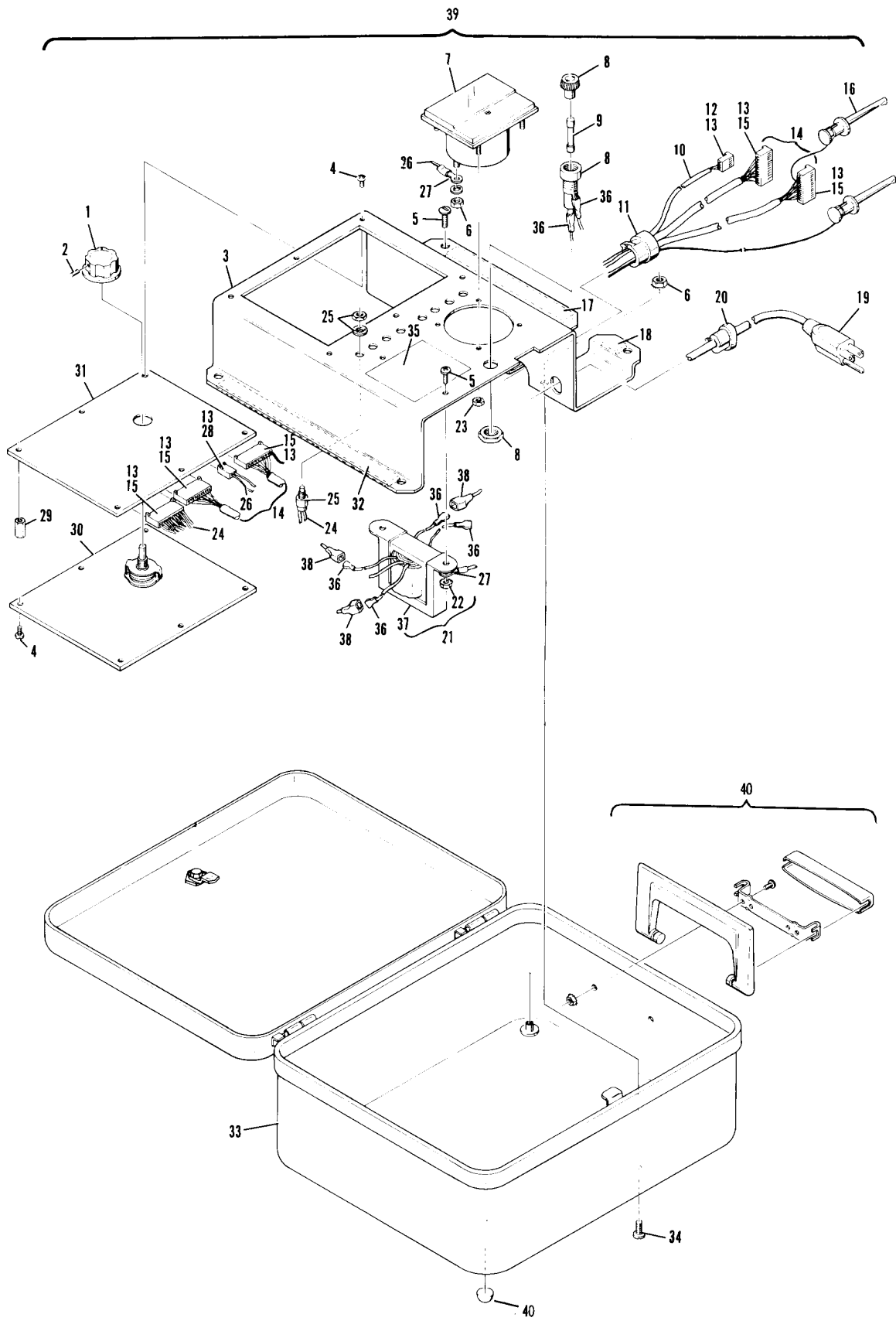


**Model 86
Scanner Assembly**

Index No.	Part No.	Description
1.	11-615478-000	Knob (includes Set Screw)
2.	11-103001-001	Set Screw (#6-32 x 5/16")
3.	57-214987-000	Face Plate
4.	11-012270-001	Pan Hd. C.R. Screw (#6-32 x 1/4")
5.	11-012308-001	Pan Hd. C.R. Screw (#8-32 x 3/8")
6.	11-176008-001	Keps Nut (#10-32)
7.	57-214988-000	Meter
8.	11-685126-000	Fuse Holder
9.	11-684011-000	Fuse (0.5 Amp)
10.	57-214994-000	Cable Assembly
11.	11-611013-000	Strain Relief Bushing
12.	11-697238-000	Connector
13.	11-680326-000	Terminal
14.	57-214993-000	Cable Assembly
15.	11-697242-000	Connector
16.	11-615191-000	Probe
17.	N.A.	Vibration Insulator
18.	N.A.	Vibration Insulator
19.	N.A.	Cord Assembly
20.	11-611009-000	Strain Relief Bushing
21.	57-214990-000	Transformer Assembly
22.	11-176007-001	Keps Nut (#8-32)
23.	11-176009-001	Keps Nut (#4-40)
24.	N.A.	Cable Assembly
25.	11-615018-000	Subminiature PB Switch
26.	57-214992-000	Cable Assembly
27.	11-612007-000	Terminal
28.	11-697233-000	Connector
29.	11-185303-000	Spacer (#6-32 x 1/2")
30.	57-860262-000	PCB Assembly
31.	57-214986-000	Display Lens
32.	N.A.	Vibration Insulator
33.	57-214984-000	Box Only
34.	N.A.	Pan Hd. C.R. Screw (#10-32 x 3/8")
35.	57-214998-000	Label
36.	11-612152-000	Receptacle
37.	N.A.	Transformer Only
38.	11-612511-000	Terminal
39.	57-860325-000	Scanner Tester Assembly - Complete (Brunswick Repair/Exchange)
40.	57-214985-000	Handle Kit

N.A. = No Longer Available

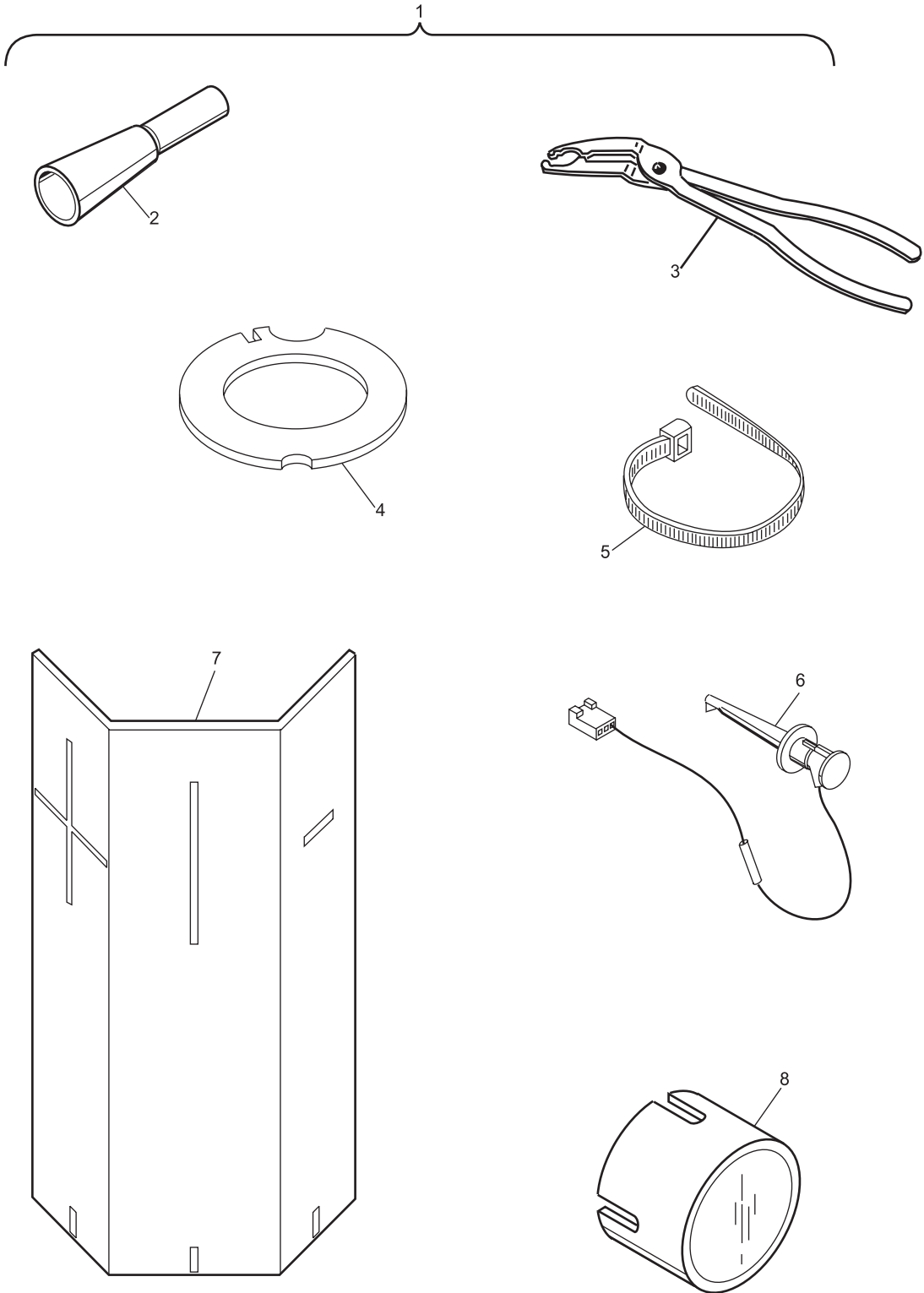
Model 86 Scanner Tester Assembly



**Model 86
Scanner Tester Assembly**

Index No.	Part No.	Description
1.	57-860236-000	Scanner Adjusting Kit - Complete
2.	57-214968-000	Lamp Adjusting Tool
3.	57-900111-000	Scanner Lamp Pliers
4.	57-215380-000	Target and 5 Pin Alignment Disc
5.	11-603108-000	Cable Tie
6.	57-215000-000	AGC Bypass Clamp
7.	57-214969-000	Adjusting Target
8.	57-214595-000	Alignment Reticle

**Model 86
Scanner Adjusting Kit**



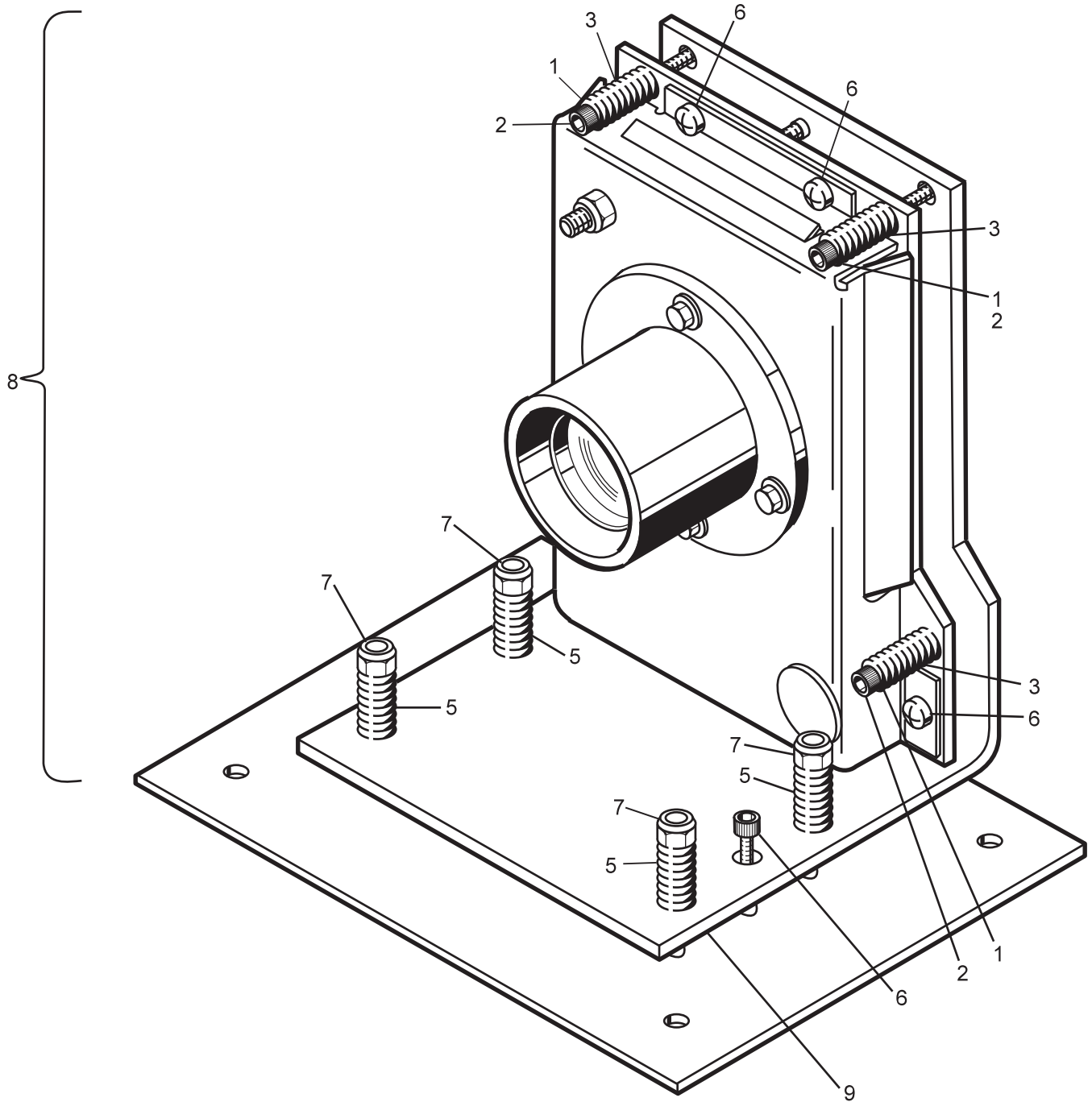
**Model 86
Scanner Adjusting Kit**

Index No.	Part No.	Description
1.	11-190545-001	Plain Washer (3/16")
2.	11-005077-001	Socket Hd. Cap Screw (#8-32 x 2")
3.	11-581008-000	Compression Spring
4.	11-012306-001	C.R. Pan Hd. Screw (#8-32 x 1/4")
5.	11-581009-000	Compression Spring
6.	11-005069-001	Socket Hd. Cap Screw (#8-32 x 1")
7.	11-170004-001	Self Locking Nut (#23FA-832)
8.	57-860407-000	Camera Assembly Complete with Mounting Brackets and Hardware (Brunswick Repair/Exchange)
9.	57-215176-000	Adjusting Plate

Associated Interconnecting Cables

57-215169-000	Camera (J4) to Processor (J901) Cable (33")
57-215379-000	Camera (J3) to Processor (J901) Cable (30')
57-215167-000	Camera (J3) to Processor (J201) Coax Cable (33")
57-215168-000	Camera (J2) to Processor (J101) Coax Cable (21")
57-215377-000	Camera to Processor (Clock or Video) Coax Cable (30')

CCD Camera Assembly



CCD Camera Assembly

Index

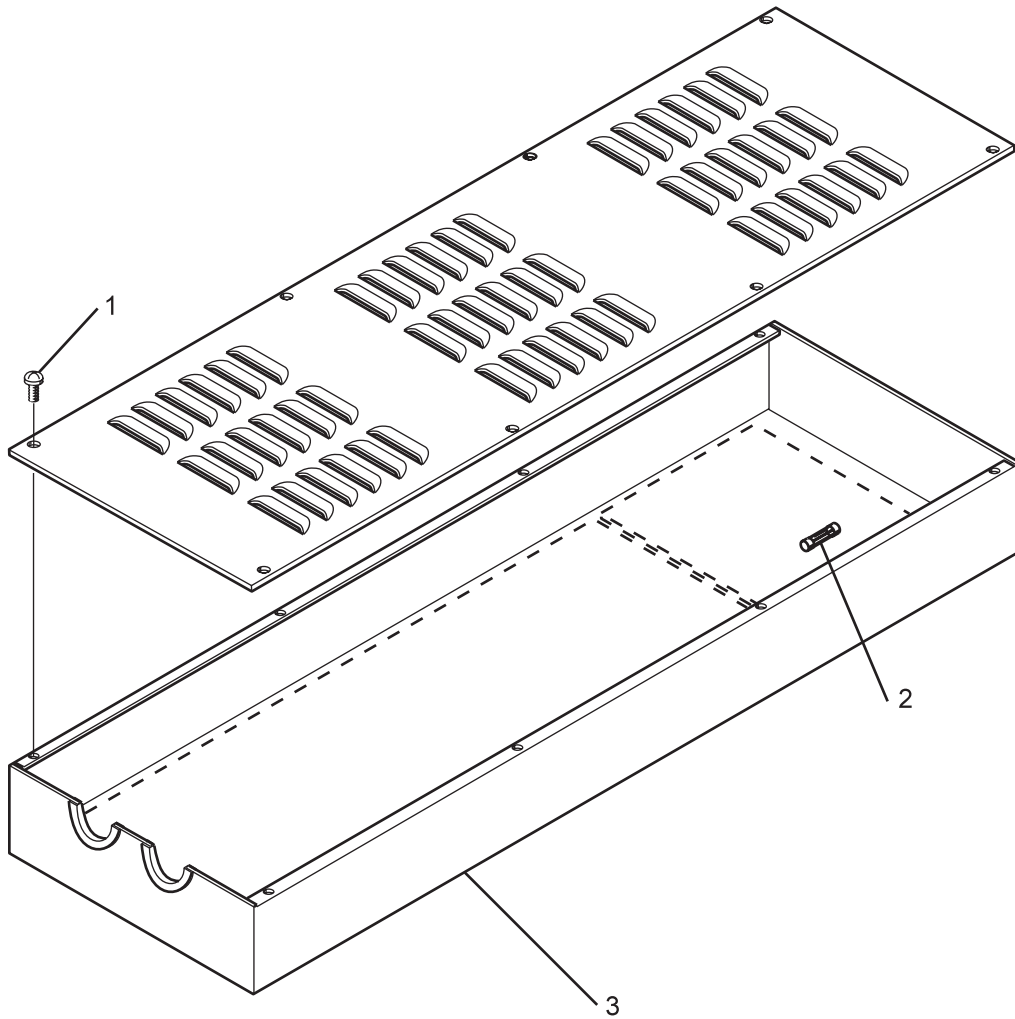
No.	Part No.	Description
1.	11-012306-001	C.R. Pan Hd. Screw (#8-32 x 1/4")
2.	11-685019-000	Fuse - 4 Amp
3.	*57-860408-4xx	CCD Processor Box Assembly (includes PCB's) (Brunswick Repair/Exchange)

* You must contact Brunswick Customer Service to determine the correct software for your center. Call 1-800-YES-BOWL (1-800-937-2695)

Associated Interconnecting Cables

57-215169-000	Camera (J4) to Processor (J901) Cable (33")
57-215379-000	Camera (J4) to Processor (J901) Cable (30')
57-215167-000	Camera (J3) to Processor (J201) Coax Cable (33")
57-215168-000	Camera (J2) to Processor (J101) Coax Cable (21")
57-215377-000	Camera to Processor (Clock or Video) Coax Cable (30')
57-214894-000	Foul to Processor (J6) - (Capping Mounted) (55')
57-214895-000	Foul to Processor (J6) - (Curtain Wall Mounted) (91')
57-214902-000	Ball Detect to Processor (J5) - (Capping Mounted) (3')
57-215391-000	Ball Detect to Processor (J5) - (Curtain Wall Mounted) (30')
57-215171-000	Test Set Bracket Assembly to Test Set Cable (15')
57-215172-000	Processor to Test Set Bracket Cable Assembly
57-215229-000	A/C PCB to Processor (AS-90) - (Capping Mounted) (85')
57-215421-000	A/C PCB to Processor (AS-90) - (Curtain Wall Mounted) (115')
57-215396-000	A/C PCB to Processor (AS-80 & AS-K) - (Curtain Wall Mounted) (115')
57-214895-000	A/C PCB to Processor (AS-80 & AS-K) - (Capping Mounted) (85')
57-214896-000	Processor to Brunswick A/P - (Capping Mounted) (30')
57-215507-000	Processor to AMF Interface - (Curtain Wall Mounted) (20')
57-214927-000	Processor to AMF Interface - (Capping Mounted) (31')
68-300226-000	Processor to BowlerVision A/P Controller

CCD Processor Box Assembly



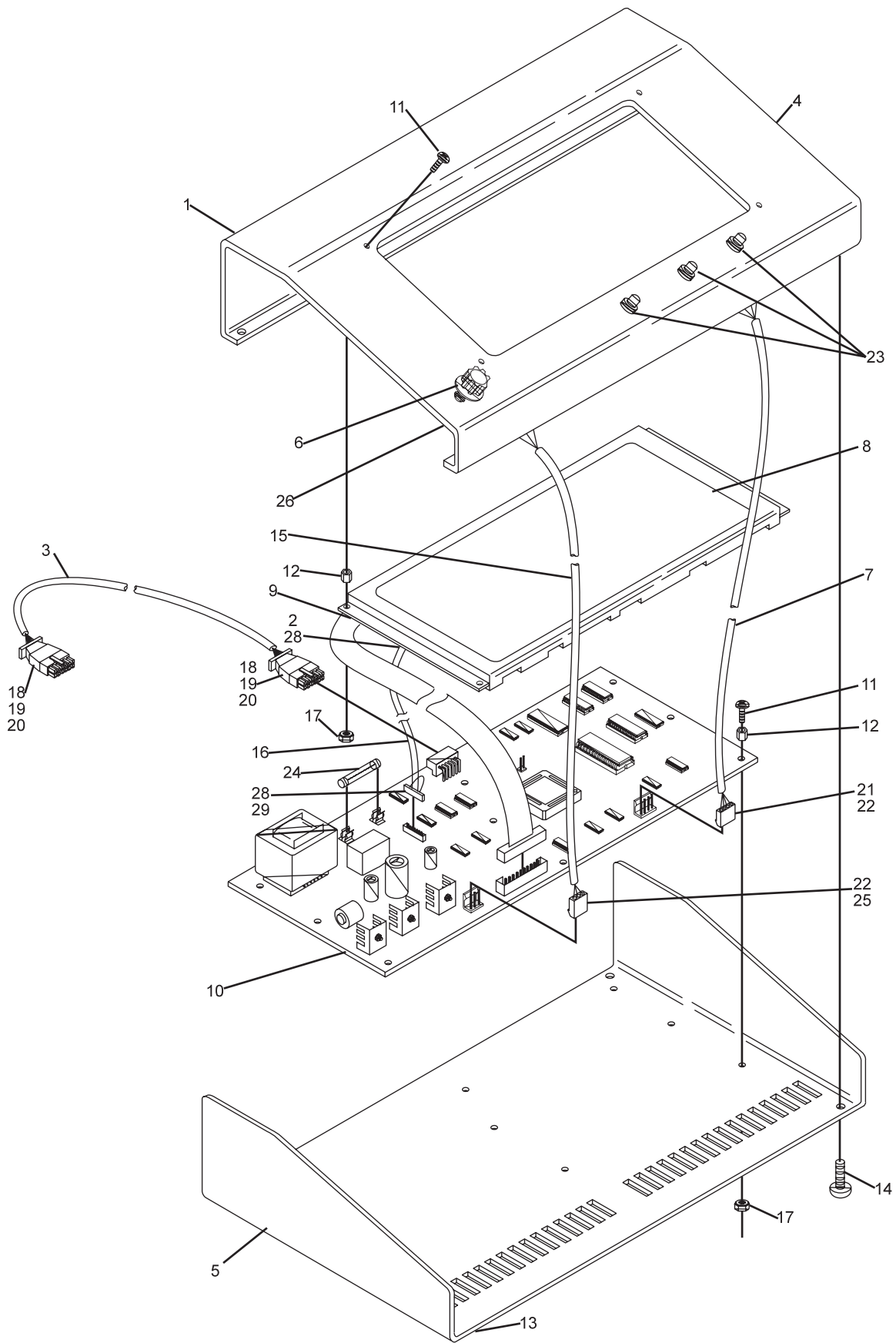
CCD Processor Box Assembly

Index No.	Part No.	Description
1.	57-860376-400	CCD Camera Tester & Cable Package (Brunswick Repair/Exchange)
2.	11-692054-000	Connector
3.	57-215171-000	Camera Tester Cable Assembly
4.	57-215185-000	Test Box Cover
5.	57-215186-000	Test Box Bottom
6.	11-615479-000	Knob
7.	N.A.	Test Set Switch Cable Assembly
8.	57-215225-000	LCD
9.	57-215222-000	Test Set LCD Cable Assembly
10.	57-860732-400	Test Set Module Assembly
11.	11-012251-001	Pan Hd. C.R. Screw (#4-40 x 3/16")
12.	11-185355-000	Standoff
13.	57-214708-000	Bumper Foot
14.	11-012524-001	Pan Hd. C.R. Screw (#6-32 x 1/2")
15.	N.A.	Test Set/Pot Cable Assembly
16.	N.A.	Back Light Cable Assembly
17.	11-176009-001	Keys Nut (#4-40)
18.	11-692312-000	Connector
19.	11-692091-000	Terminal
20.	11-692080-000	Strain Relief
21.	11-697234-000	Connector
22.	11-680326-000	Terminal
23.	11-615018-000	Function Switch
24.	11-685021-000	Fast-Blo Fuse (2 Amp)
25.	11-697236-000	Connector
26.	*11-693522-000	Potentiometer
27.	11-692055-000	Connector
28.	N.A.	Terminal
29.	11-692054-000	Connector

* Not Illustrated

N.A. = No Longer Available

CCD Camera Tester & Cable Assembly



CCD Camera Tester & Cable Assembly

Index No.	Part No.	Description
1.	57-860235-000	Ball Detector Assembly - Complete (includes index nos. 2, 3 & 4)
2.	57-214902-000	Cable Assembly
3.	57-214920-000	Reflector and Bracket Assembly
4.	57-214921-091	Ball Detector Assembly (includes 2 detectors)
	99-080224-004	AS80 Ball Detect Photocell Only
	99-080243-004	Foul or Ball Detect Photocell Only
5.	11-697239-000	Connector
6.	11-680326-000	Terminal
7.	11-680201-000	Receptacle
8.	11-680301-000	Terminal
9.	57-214901-000	Bracket
10.	17-600771-000	Housing Assembly
11.	11-190004-001	Flat Washer (#8)
12.	11-195008-001	Lockwasher (#8)
13.	11-012308-001	Pan Hd. Screw (#8-32 x 3/8") - See Note 1
14.	17-600770-000	Housing Only
15.	17-600773-000	Plate
16.	53-600101-000	Reflector
17.	11-013007-001	Pan Hd. Screw (#4-40 x 9/16")
18.	11-195004-001	Lockwasher (#4)
19.	11-125000-001	Hex Nut (#4-40)
20.	11-082092-001	R.H. Self Tapping Screw (#10 x 1/2")
21.	11-195010-001	Lock Washer (#10)
22.	11-190006-001	Flat Washer (#10)
23.	11-040593-001	Wood Screw (#10 x 3/4") - See Note 2
24.	57-214900-000	Bracket
25.	99-080186-003	Housing Only
26.	11-013060-001	Pan Hd. Screw (#8-32 x 1/2")
27.	11-086307-001	Flat Hd. Screw (#4 x 1")
28.	99-080180-004	Spring
29.	57-214904-000	Photocell & Cable Assembly (internal parts only)

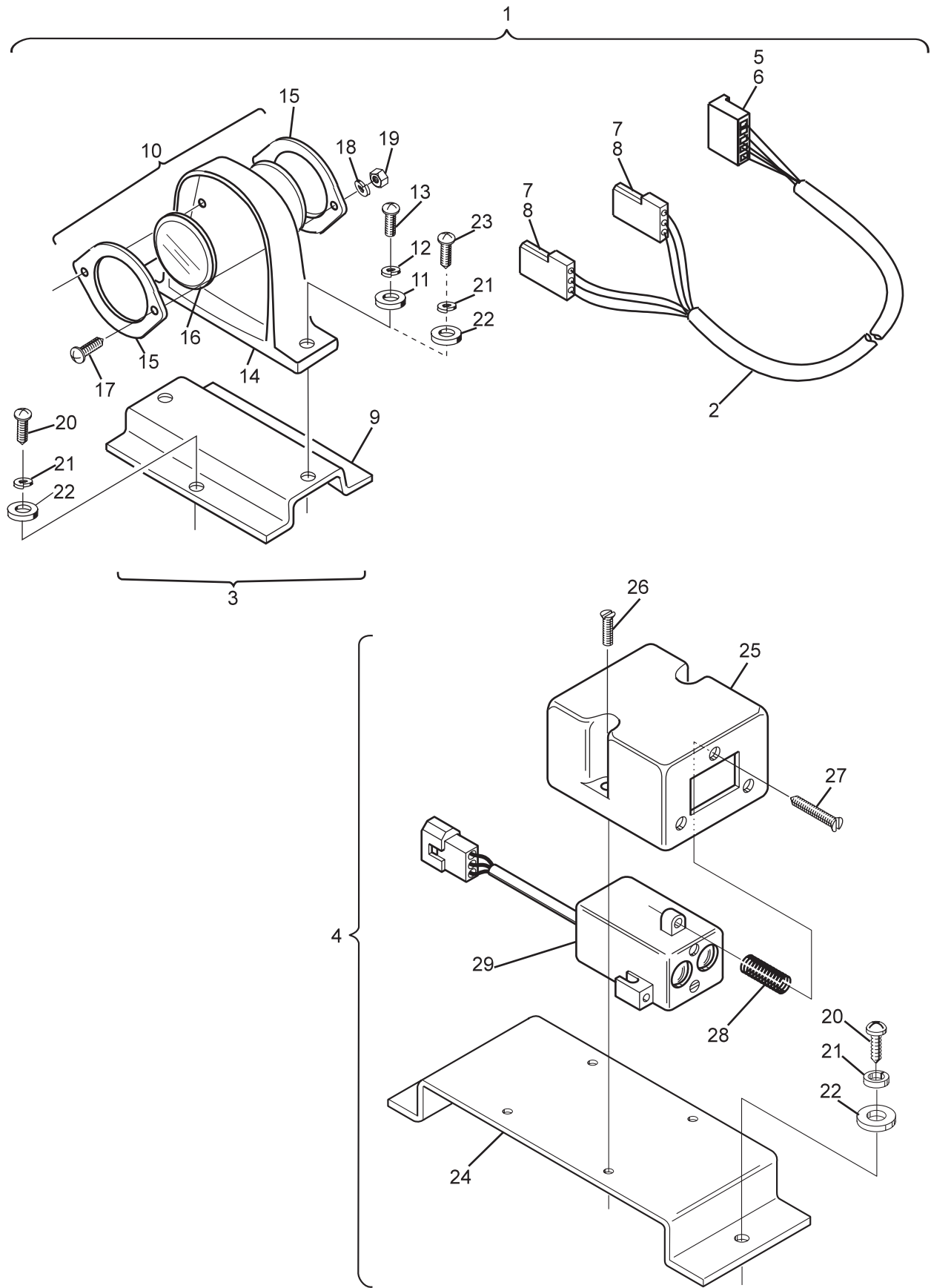
Note 1: Use if bracket is used.

Note 2: Use if going directly into capping.

Associated Interconnecting Cables

57-214902-000	Ball Detect to 86 Scanner or CCD Processor (3')
57-215391-000	Ball Detect to 86 Scanner or CCD Processor (30')

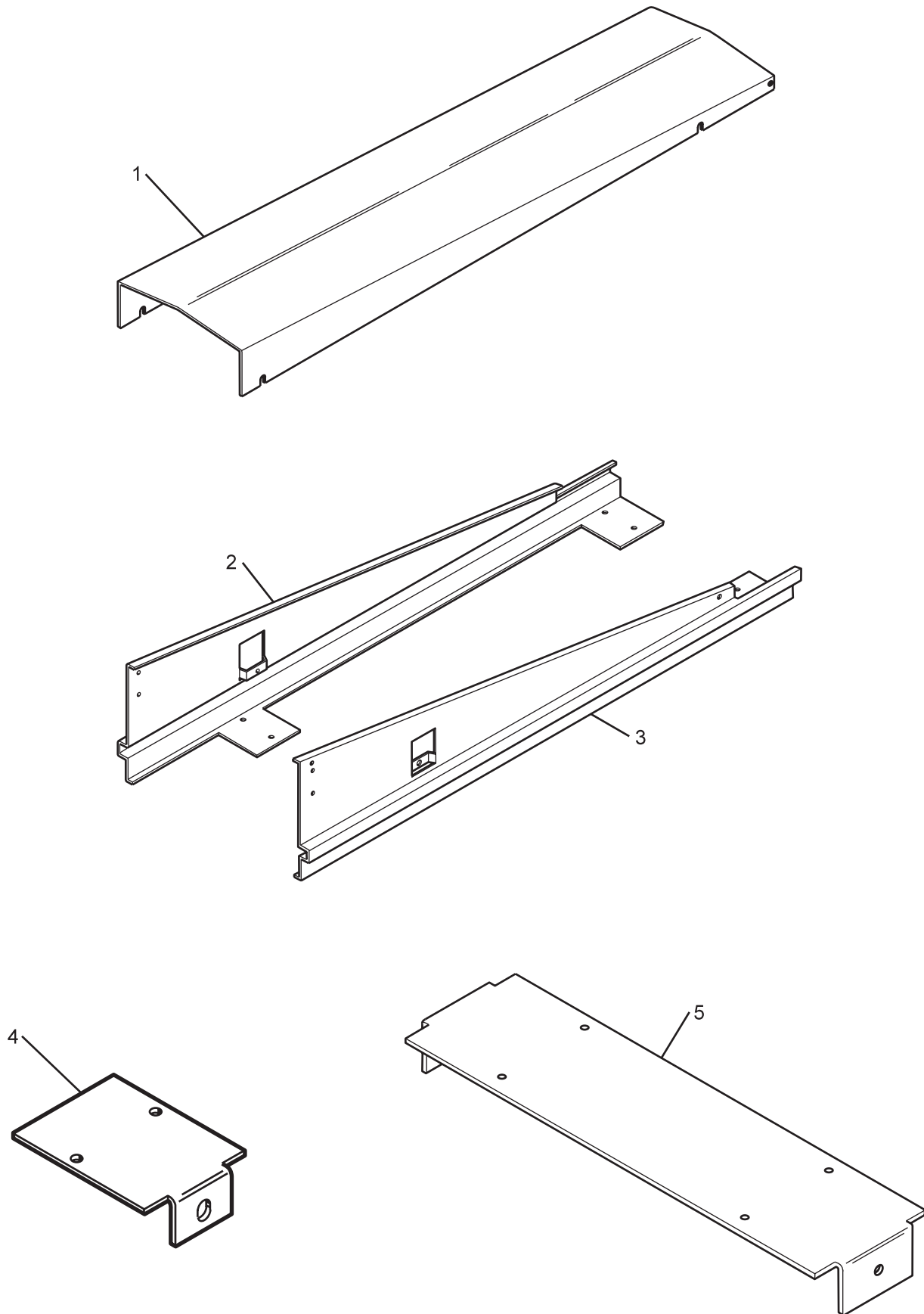
Reflector and Ball Detector Assemblies



Reflector and Ball Detector Assemblies

Index No.	Part No.	Description
1.	57-215321-000	Cover (10-1/2" Capping) - Original with Subway Return
2.	57-215134-002	Side Cover Assembly R.H. - Original with Subway Return
3.	57-215134-003	Side Cover Assembly L.H. - Original with Subway Return
4.	57-215337-000	Mounting Bracket - Ball Detect with Original Cover
5.	57-215132-000	Mounting Bracket - Ball Detect with Original Cover 10-1/2" Subway Returns only

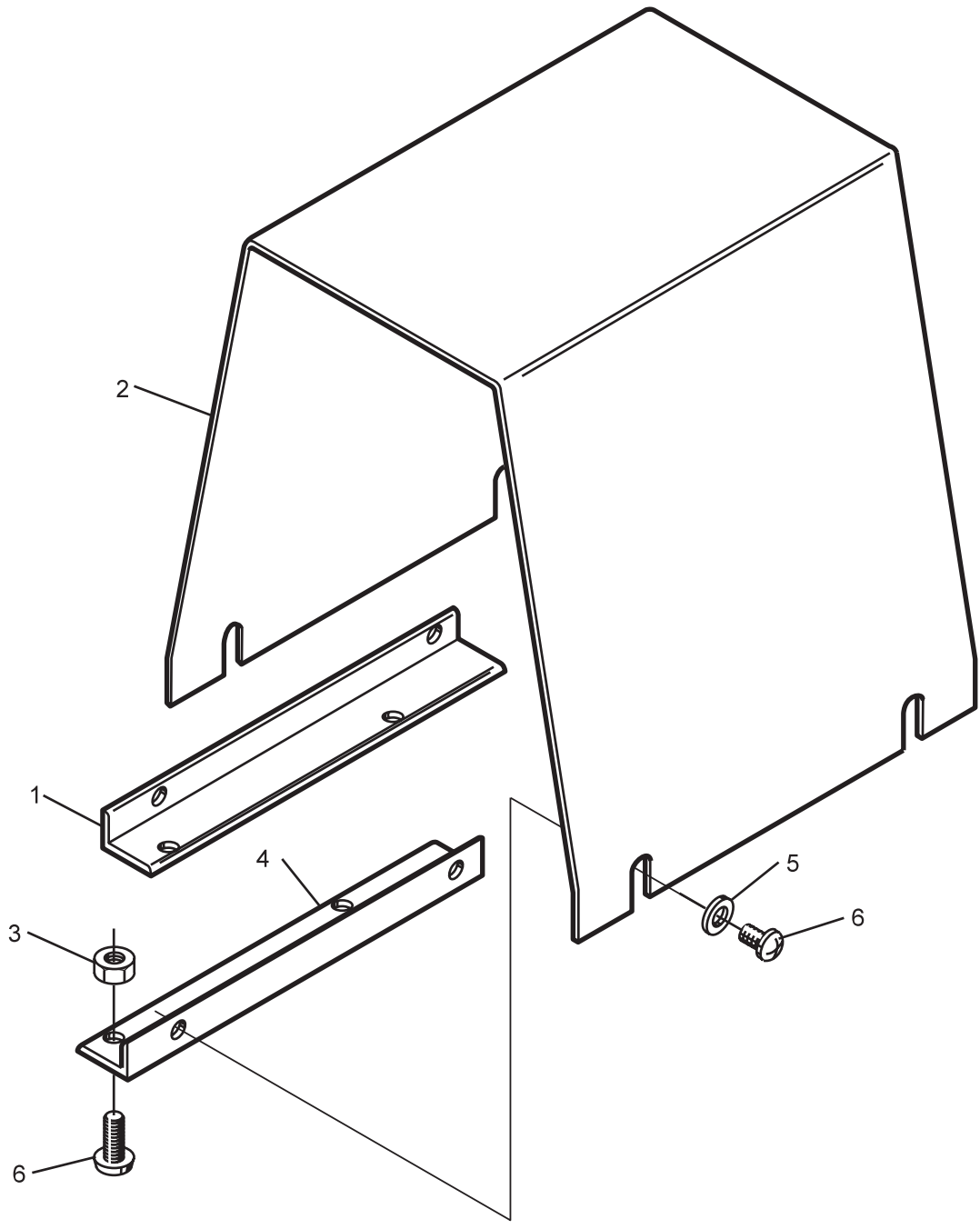
CCD Camera Cover & Ball Detect Mounting Brackets



CCD Camera Cover & Ball Detect Mounting Brackets

Index No.	Part No.	Description
1.	57-215384-000	Bracket R.H.
2.	57-215385-000	Cover
3.	11-125007-001	Hex Nut (1/4-20)
4.	57-215394-000	Bracket L.H.
5.	11-190012-003	Plain Washer (1/4)
6.	11-012385-004	C.R. Pan Hd. Screw (1/4-20 x 3/4")

CCD Camera Cover Assembly

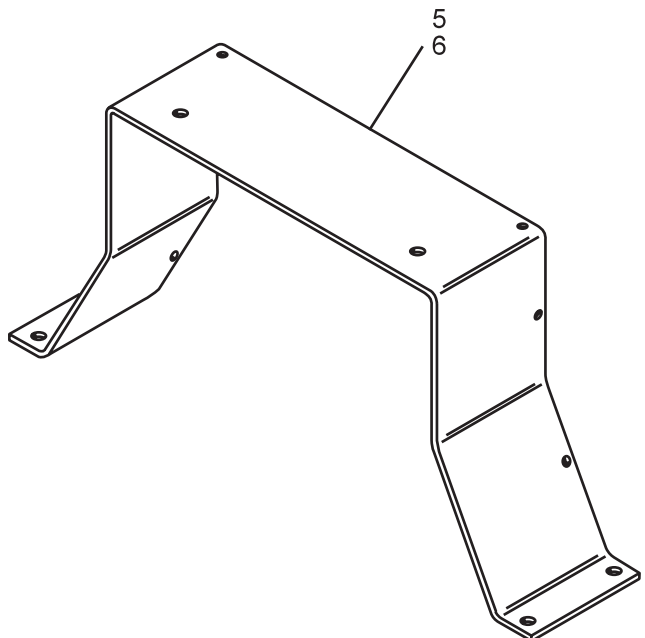
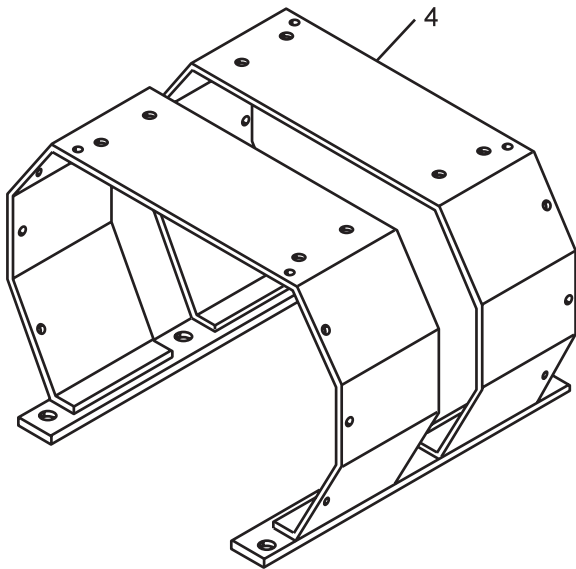
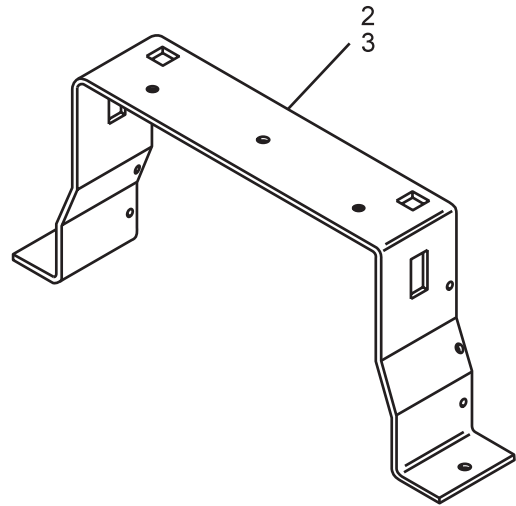
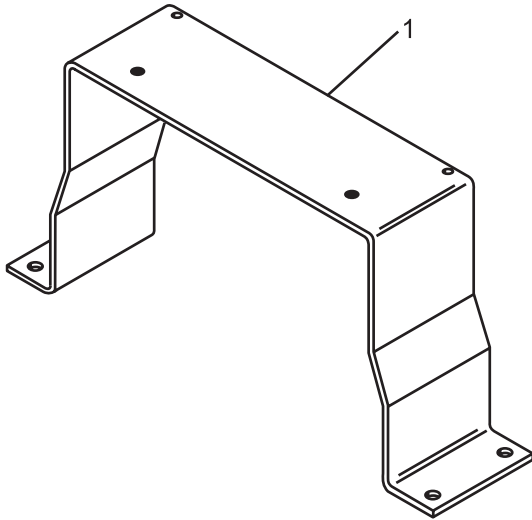


CCD Camera Cover Assembly

Index No.	Part No.	Description
1.	57-215420-000	Support Bracket (Surface to Subway - 10-1/2" Returns) 6-3/8" High
2.	53-520349-000	Support Bracket (Concealed Surface - 9-1/2" Returns) 5-5/8" High
3.	53-520364-000	Support Bracket (Concealed Surface - 10-1/2" Returns) 5-5/8" High
4.	N.A.	Support Bracket (Surface Returns)
5.	57-215400-000	Support Bracket (AMF Concealed Surface - 10-1/2" Returns) 6-7/8" High
6.	57-215387-000	Support Bracket (AMF Concealed Surface - 9-1/2" Returns) 6-7/8" High

N.A. = No Longer Available

CCD Camera Support Brackets



CCD Camera Support Brackets