

Section A

PINSETTER AREA

Index No.	Part No.	Description
1.	57-214023-000	Switch Cluster Assembly - Complete
2.	17-204243-000	Dual Gear
3.	11-537016-001	Retaining Ring
4.	57-214024-000	Cam Shaft Assembly
5.	57-214025-000	Cam Shaft Only
6.	17-204244-000	Gear Only
7.	17-204234-000	Switch Plate Assembly
8.	10-616051-000	Nut Plate (#4-40)
9.	11-617501-000	Fabric Insulator
10.	11-616015-000	Switch
11.	11-199000-001	Internal Tooth Lockwasher (#4)
12.	11-010509-001	Hex Hd. Screw w/Washer (#4-40 x 3/4")
13.	11-010513-001	Hex Hd. Screw w/Washer (#4-40 x 1-1/4")
14.	11-010022-001	Hex Hd. Screw (#6-32 x 3/8")
15.	11-195006-001	Lockwasher (#6)
16.	11-190528-001	Plain Washer
17.	10-386107-000	Spacer
18.	57-214227-000	Switch Cam (36° to 136°)
19.	11-420141-000	Oilite Bearing
20.	17-204237-000	Switch Cam (0° to 270°)
21.	11-420138-000	Oilite Bearing
22.	11-195014-001	Lockwasher (1/4)
23.	11-125100-001	Hex Nut (1/4-20)
24.	11-001186-001	Hex Hd. Cap Screw (1/4-20 x 1-1/4")
25.	*57-860109-000	Reset Button Kit - Complete - (Take Data Relay)
26.	11-671503-000	Relay 5 PST
27.	11-015165-001	Hex Hd. Screw (#10-24 x 5/8")
28.	17-204255-000	Adapter Bracket
29.	**57-860594-000	Surge Suppressor - Model SP-1S for 120/240 V Single Phase Wye Sub-Panel
30.	**57-860592-000	Surge Suppressor - Model SP-3Y for 120/208 V Three Phase Wye Sub-Panel
31.	**57-860593-000	Surge Suppressor - Model SP-3D for 120/240 V Three Phase Delta Sub-Panel
32.	**57-860595-000	Surge Suppressor - Model SP-240NN for 240NN V Three Phase Delta Sub-Panel
33.	**57-860596-000	Surge Suppressor - Model SP-220/380 for 220/380 V Three Phase Wye Sub-Panel
34.	11-195010-001	Lockwasher (#10)
35.	11-125004-001	Hex Nut (#10-24)
36.	17-204274-000	Cable Support Bracket
37.	11-005264-001	Hex Socket Hd. Cap Screw (5/16-18 x 1")
38.	11-195015-001	Lockwasher (5/16)
39.	11-603105-000	Cable Tie
40.	12-750789-000	Cable Clamp (2 Req'd)
41.	11-107087-001	Rd. Hd. Screw (#10-24 x 5/8")

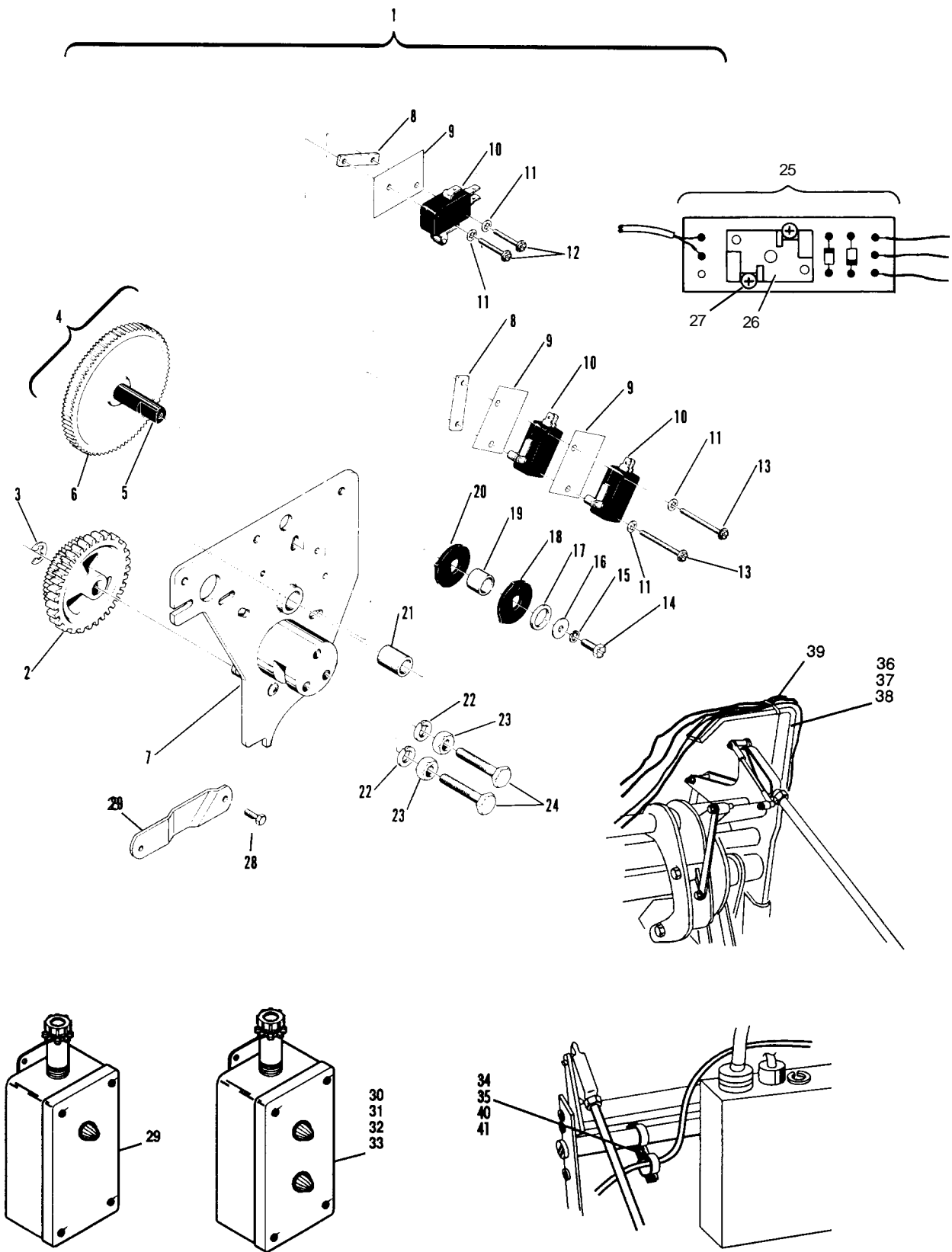
* Components other than Index No. 26, Relay, are not available for sale or repair. Purchase new assembly if unit fails.

** The surge suppressors are voltage and phase specific to your bowling center. A licensed electrician should identify which suppressor is needed before ordering.

Associated Interconnecting Cables

57-214173-000 Brunswick Pinsetter Cable Assembly

Switch Cluster and Reset Button Kit Assemblies



Switch Cluster and Reset Button Kit Assemblies

Index No.	Part No.	Description	Index No.	Part No.	Description
1.	17-204097-051	Channel Assembly	29.	17-204040-000	Mounting Plate
2.	11-107026-001	Round Hd. Screw (#6-32 x 1/2")	30.	*12-100166-026	Pin
3.	11-603108-000	Cable Tie	31.	*11-230000-001	X-Washer
4.	57-214173-000	Pinsetter Cable Assembly	32.	17-204038-000	Wire Link
5.	11-602101-000	Cord Grip	33.	57-214048-000	Solenoid Box Only
6.	11-602002-001	Electrical Locknut (1/2)	34.	11-125000-001	Hex Nut (#4-40)
7.	11-696600-000	Solid State Relay	35.	11-612007-000	Terminal
8.	11-619007-000	Terminal Strip	36.	11-010089-001	Hex Hd. Screw (#10-24 x 2-1/4")
9.	11-017041-001	Round Hd. C.R. Sems Screw (#6-32 x 3/8")	37.	11-124001-001	Hex Nut (#6-32)
10.	11-696910-000	MOV 130 Volts	38.	11-190002-001	Plain Washer (#6)
11.	11-691067-000	Resistor (18 Ohm, 1/2 Watt)	39.	11-604005-000	Wire Clamp (3/8)
12.	57-214050-000	Cover	40.	17-204083-000	Channel Hanger
13.	11-125004-001	Hex Nut (#10-24)	41.	N.A.	Shield
14.	11-195010-001	Lockwasher (#10)	42.	N.A.	Relay Assembly - See Index No. 55
15.	17-204213-000	Crank	43.	11-693008-000	Diode (1N4003)
16.	17-204218-000	Split Bushing Crank	44.	11-024003-001	T. Hd. C.R. Screw (#4-40 x 1/4")
17.	17-204214-000	Split Bushing	45.	***57-860263-000	A/P Control PCB Assembly
18.	17-204220-000	Cycle Crank Assembly	46.	57-215007-000	PCB to Solenoid Cable Assembly
19.	11-001064-001	Hex Hd. Cap Screw (#10-24 x 1")	47.	11-680326-000	Terminal
20.	11-230001-001	X-Washer	48.	11-697237-000	Connector
21.	17-204222-000	Cycle Link Assembly ("A-2" Machine)	49.	11-609502-000	Wire Splice
	*17-204284-000	Cycle Link Assembly ("A" Machine)	50.	11-612151-000	Faston Terminal
	17-204222-010	Cycle Link Assembly (Japanese Machine)	51.	11-012253-001	Screw (#4-40 x 5/16")
22.	11-017161-001	Round Hd. C.R. Sems Screw (#10-24 x 3/8")	52.	12-700041-000	Micro-Switch Spring
23.	11-696113-000	Capacitor .10 MFD 600 Volts	53.	**17-860047-000	Detector Mechanism Modification Kit - Complete
24.	11-013004-001	Pan Hd. C.R. Screw (#4-40 x 3/8")	54.	53-600170-000	Isolation Transformer
25.	11-195004-001	Lockwasher (#4)	55.	57-860252-000	AS-80 New Pins Solenoid Relay Kit
26.	11-680208-000	Receptacle	56.	11-198000-001	Lockwasher (#4)
27.	11-680301-000	Terminal	57.	11-185319-000	Spacer (#4-40, 1/4 x 1/2)
28.	12-100022-000	Solenoid 110 Volt	58.	57-215006-000	Insulator

* Not Illustrated

** Does not include Index No. 21, Cycle Link Assembly

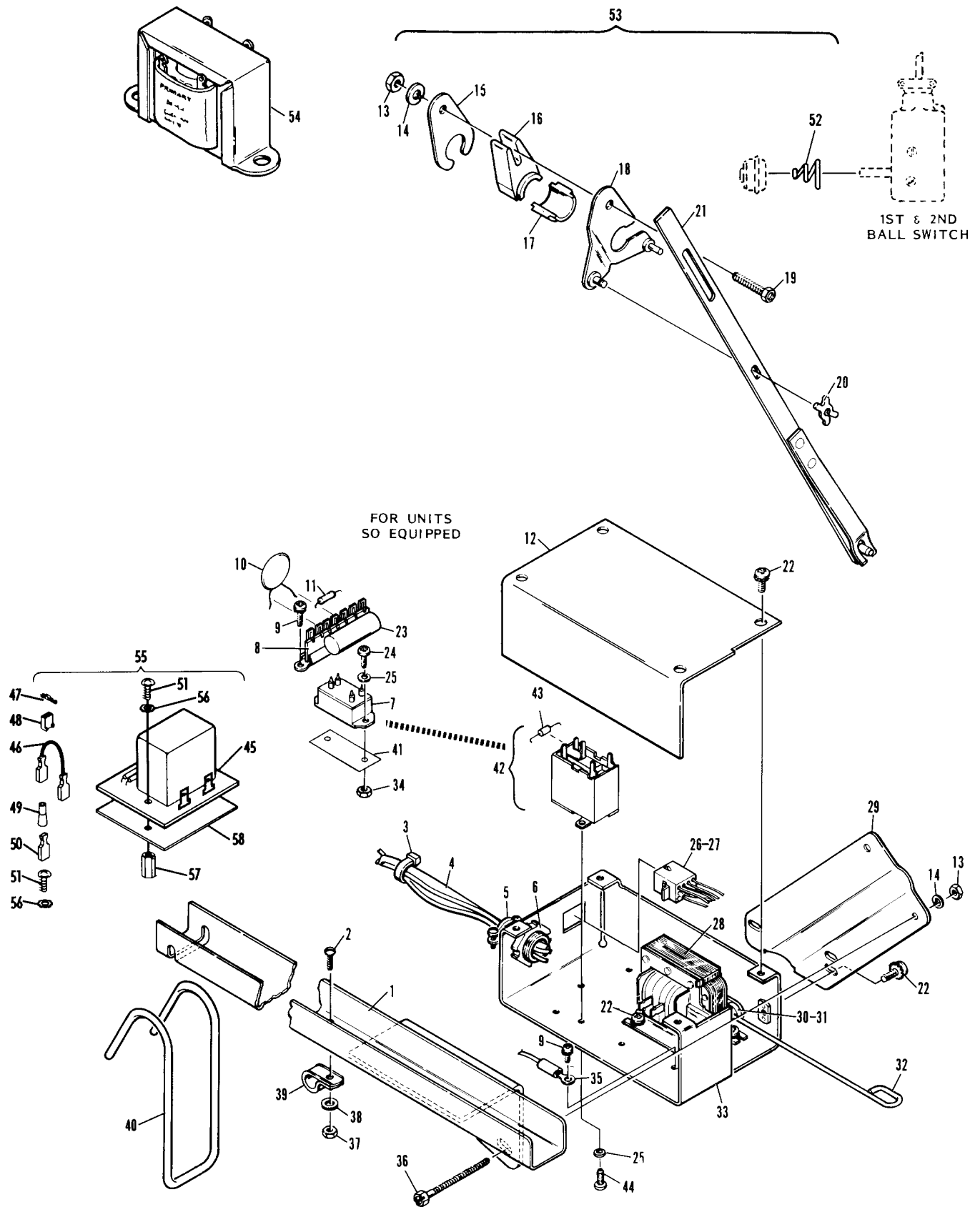
*** No. 45, A/P Control PCB Assembly, is not available except through ordering
No. 55, AS-80 New Pins Solenoid Relay Kit

N.A. = No Longer Available

Associated Interconnecting Cables

57-214165-000	Scanner to New Pins Solenoid Cable (AS-K, AS-80, & AS-90)
57-214896-000	Scanner to New Pins Solenoid (BowlerVision with A-2 Pinsetter)

New Pins Solenoid & Cycle Link Assemblies



New Pins Solenoid & Cycle Link Assemblies

Index No.	Part No.	Description
1.	11-686101-000	Cover
2.	11-686001-000	Box
3.	N.A.	Transformer
4.	11-010779-000	Ground Screw
5.	11-609502-000	Wire Nut
6.	11-602101-000	Cord Clamp
7.	57-214294-000	Power and Foul Box Assembly - Complete
8.	N.A.	Interface Cover
9.	57-860326-000	PC Adapter Board (Brunswick Repair/Exchange)
10.	11-107023-001	Round Hd. Screw (#6-32 x 5/16")
11.	N.A.	Wood Screw (#6)
12.	*57-860199-000	AMF Interface Board w/Cover - Complete
13.	11-185307-000	Standoff (#6-32 x 1-1/4")
14.	N.A.	Switch

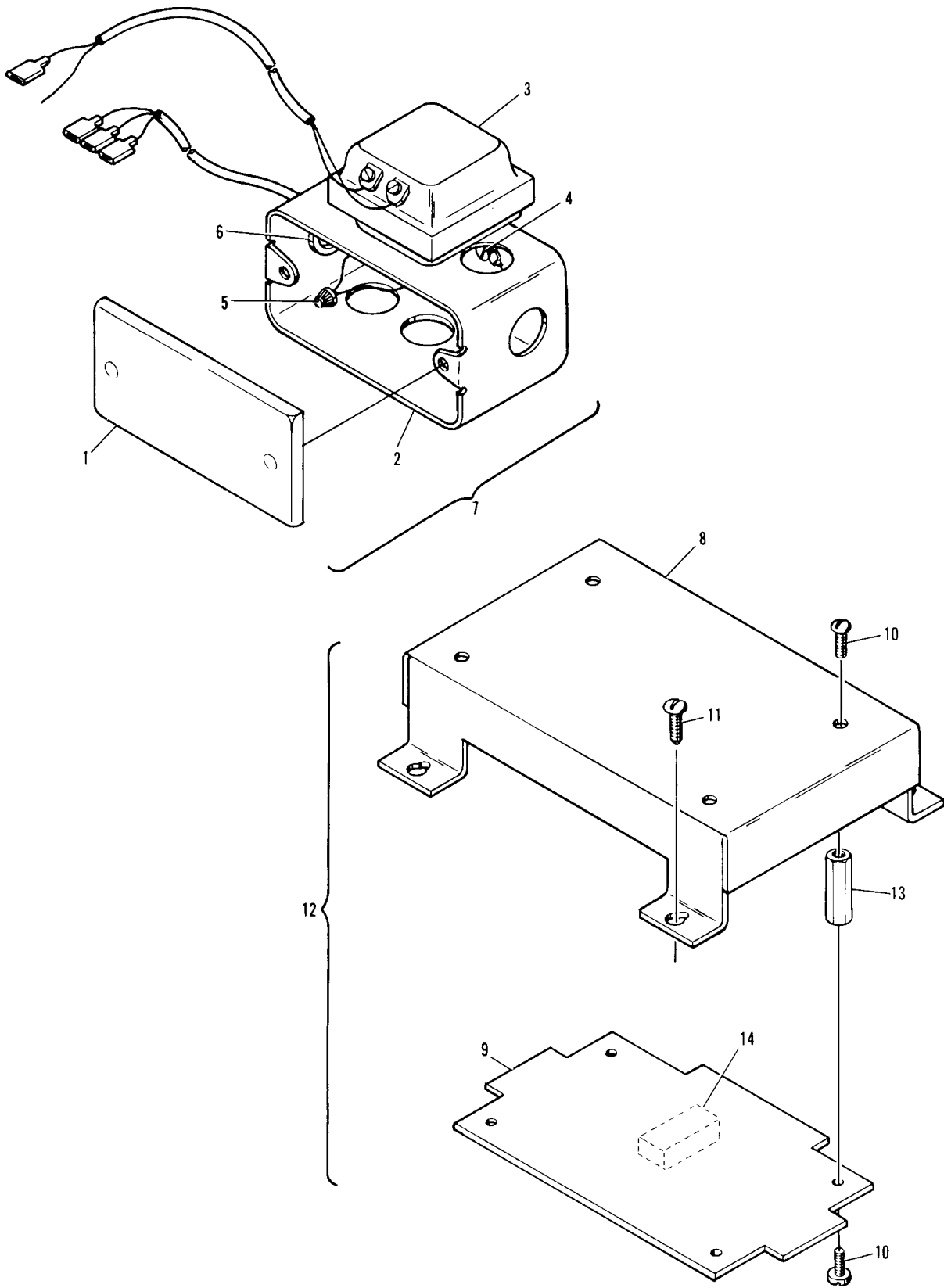
N.A. = No Longer Available

*Does not include Item No. 11, Wood Screw.

Associated Interconnecting Cables

57-214286-000	AMF 82-70SS Lane #1 Cable Assembly
57-214287-000	AMF 82-70SS Lane #2 Cable Assembly
57-214301-000	AMF 82-70 Lane #1 Cable Assembly
57-214302-000	AMF 82-70 Lane #2 Cable Assembly
57-214591-000	AMF 82-30 Lane #1 Cable Assembly
57-214592-000	AMF 82-30 Lane #2 Cable Assembly
57-214285-000	AMF Interface to 79 Scanner (All AMF Models)
57-214927-000	AMF Interface to 86 Scanner (All AMF Models)
	AMF Interface to CCD Camera

Power & Foul Box and AMF Interface Box Assemblies



Power & Foul Box and AMF Interface Box Assemblies

Index

Index No.	Part No.	Description
1.	*57-214295-000	Sweep Switch Assembly - Complete
2.	N.A.	Actuator
3.	17-600526-000	Switch Plate
4.	17-600581-000	Switch (Sweep)
5.	11-013009-001	Pan Hd. Screw (#4-40 x 3/4")
6.	11-195004-001	Lock Washer (#4)
7.	10-616051-000	Nut Plate
8.	N.A.	Cable Clip
9.	N.A.	Switch Bracket (Table or Sweep)
10.	10-616009-000	Switch (Table)
11.	11-617501-000	Insulator
12.	11-190000-001	Plain Washer (#4)
13.	11-013011-001	Pan Hd. Screw (#4-40 x 1")
14.	57-214590-000	Switch and Bracket Assembly (Table and Sweep) - Complete
15.	57-214589-000	Bracket Only
16.	11-176009-001	Keeps Nut (#4-40)
17.	11-012256-001	Pan Hd. C.R. Screw (#4-40 x 1/2")
18.	11-013242-001	Pan Hd. Screw (#2-56 x 5/8")
19.	57-214588-000	Lever Switch Cable Assembly
20.	11-199020-001	Lock Washer (#2)
21.	11-124105-001	Hex Nut

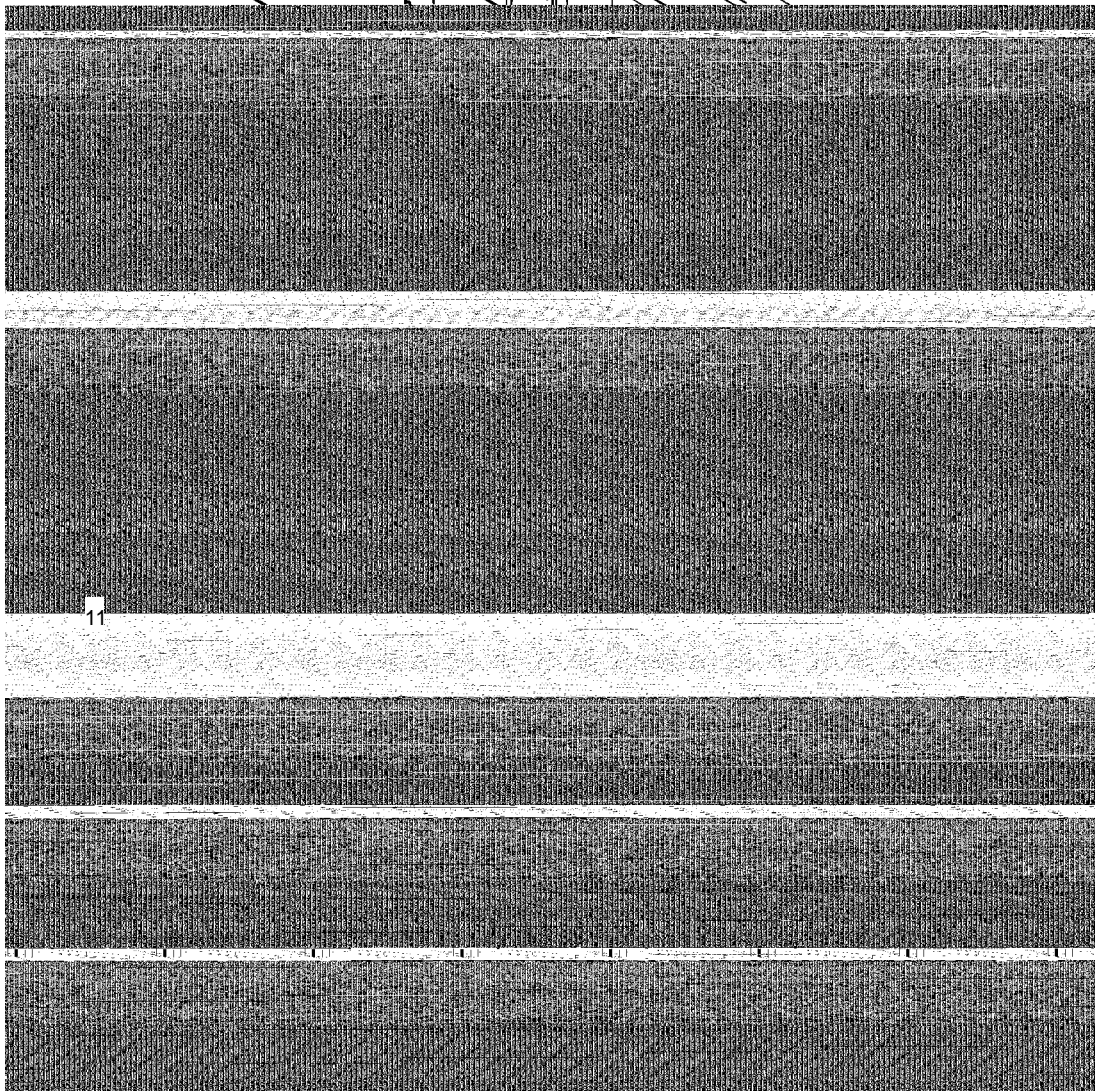
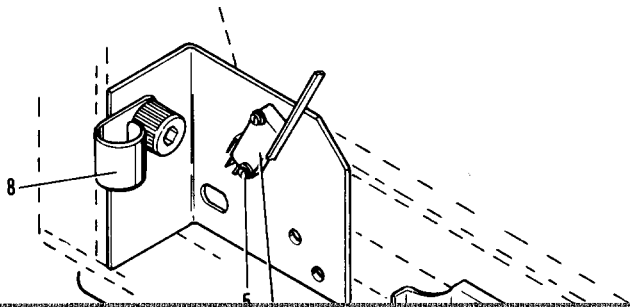
N.A. = No Longer Available

*Does not include Index Nos. 2, Actuator and 8, Cable Clip

Associated Interconnecting Cables

57-214591-000	AMF Lane #1 Cable Assembly (82-30)
57-214592-000	AMF Lane #2 Cable Assembly (82-30)

**Sweep Switch and Table Switch Assemblies
(AMF 82-30)**



**Sweep Switch and Table Switch Assemblies
(AMF 82-30)**

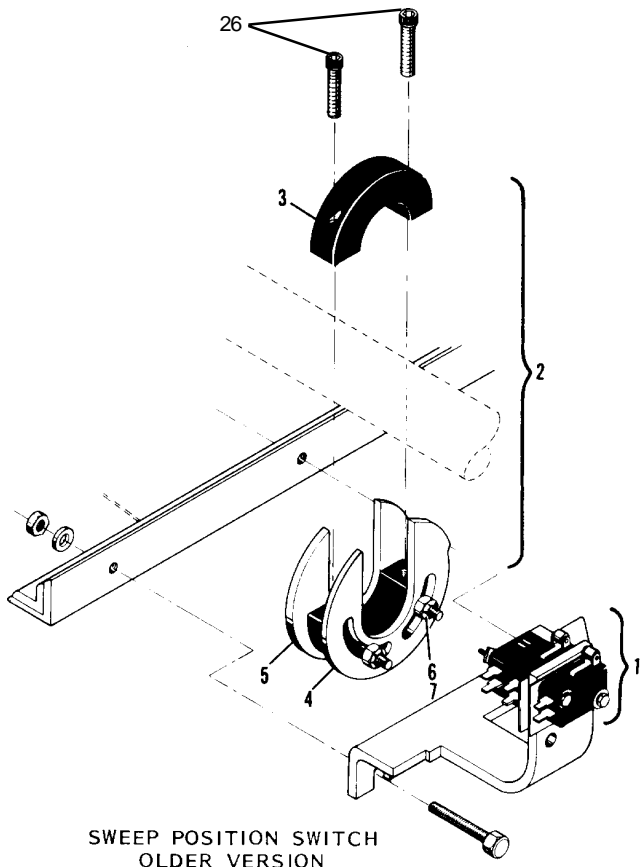
Index No.	Part No.	Description
1.	57-214299-000	Sweep Position Switch and Bracket Assembly
2.	57-214300-000	Sweep Position Switch Cam Assembly w/Two Piece Collar Assembly
3.	N.A.	Two Piece Collar Assembly
4.	57-215757-000	Rake-Up Cam
5.	17-600842-000	Data Cam
6.	11-001105-001	Hex Hd. Cap Screw (10-32 x 1-1/8")
7.	11-170006-001	Self Locking Nut
8.	57-214529-000	Sweep Position Switch and Bracket Assembly
9.	11-170007-001	Locknut (1/4-20)
10.	11-190010-001	Plain Washer
11.	57-214633-000	Hook
12.	57-214634-000	Angle Bracket
13.	11-001182-001	Hex Hd. Bolt (1/4-20 x 3/4")
14.	10-616009-000	Switch
15.	17-204247-000	Spacer
16.	10-616051-000	Nut Plate
17.	11-617501-000	Insulator
18.	57-214635-000	Switch Plate
19.	11-195004-001	Lockwasher (#4)
20.	11-190000-001	Plain Washer (#4)
21.	11-010014-001	Hex Hd. Screw (#4-40 x 1-1/2")
22.	11-071022-001	Carriage Bolt (1/4-20 x 1-3/4")
23.	17-600849-000	Table Position Switch Cam Assembly w/Two Piece Collar Assembly
24.	11-001098-001	Hex Hd. Cap Screw (10-32 x 1/2")
25.	57-214636-000	Table Position Switch and Bracket Assembly
26.	N.A.	Socket Head Cap Screw (1/4-28 x 5/8")

N.A. = No Longer Available

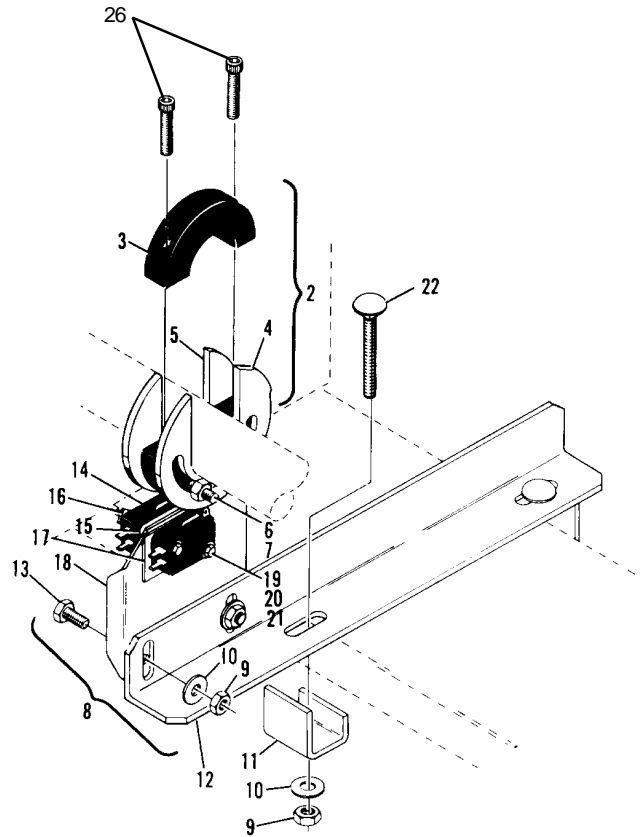
Associated Interconnecting Cables

57-214286-000	AMF 82-70SS Lane #1 Cable Assembly
57-214287-000	AMF 8270SS Lane #2 Cable Assembly
57-214301-000	AMF 82-70 Lane #1 Cable Assembly
57-214302-000	AMF 82-70 Lane #2 Cable Assembly

Sweep Switch and Table Switch Assemblies (AMF 82-70 & 82-70SS)



SWEEP POSITION SWITCH
OLDER VERSION



SWEEP POSITION SWITCH
NEWER VERSION

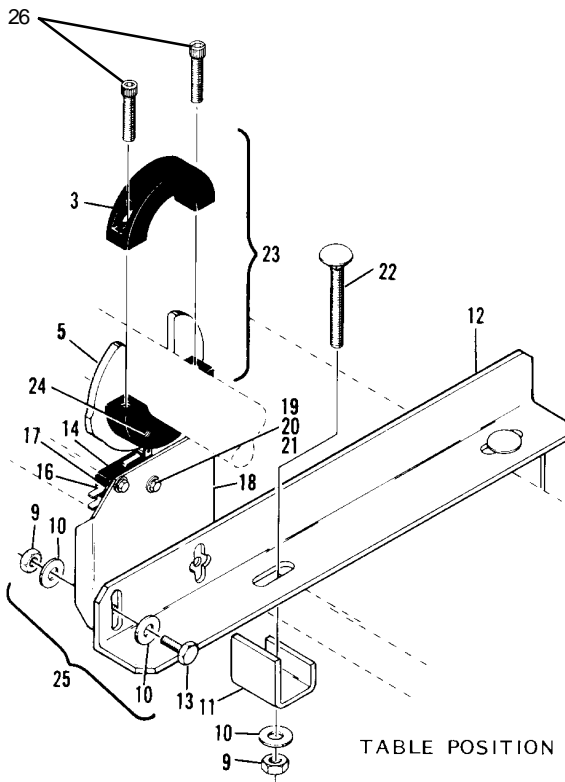


TABLE POSITION SWITCH

**Sweep Switch and Table Switch Assemblies
(AMF 82-70 & 82-70SS)**

Index No.	Part No.	Description
1.	*68-860131-402	Gamemaker Assembly (115 VAC) (Brunswick Repair/Exchange)
2.	68-860075-000	Gamemaker Assembly (UHF Version) (Brunswick Repair/Exchange)
3.	*68-860075-402	Gamemaker Assembly (230 VAC) (BNC Version) (Brunswick Repair/Exchange)
4.	N.A.	Copper Mesh Display Screen (1-1/2" x 1-1/2")
5.	N.A.	Screen Retainer
6.	11-012254-001	Screw (#4-40 x 3/8")
7.	N.A.	LED Assembly
8.	47-142833-000	Key Switch Assembly
9.	47-142830-000	Switch Assembly
10.	47-142546-000	Mounting Nut (M12 THD)
11.	11-680989-000	Screw Lock
12.	68-100152-000	Gamemaker Wire Assembly
13.	68-100151-000	Gamemaker Wire Assembly
14.	11-199005-001	Internal Tooth Lockwasher (#1/4-20)
15.	11-018144-001	Screw (#1/4-20 x 3/8")
16.	N.A.	Gamemaker Power Supply Assembly
17.	11-697233-000	Connector
18.	68-100120-000	Gamemaker Power Supply Cover
19.	11-199001-001	Internal Tooth Lockwasher (#6)
20.	11-012270-001	Screw (#6-32 x 1/4")
21.	N.A.	Gamemaker Cover
22.	11-199002-001	Lockwasher (#8-32 x 3/8")
23.	11-012308-001	Screw (#8-32 x 3/8")
24.	12-502527-000	Switch Guard
25.	68-100134-000	Gamemaker Video Exit Cable Assembly
26.	11-675099-000	LED
27.	11-680326-000	Terminal
28.	N.A.	3 Position Alt Action Switch
29.	N.A.	Connector
30.	68-100690-000	AC Power Cord (115 VAC)
31.	N.A.	Lens
32.	N.A.	LED
33.	11-697217-000	Connector
34.	11-680995-000	Connector
35.	11-680983-000	Contact Socket
36.	11-680985-000	Connector
37.	11-680981-000	Contact Pin
38.	11-012272-001	Screw (#6-32 x 3/8")
39.	N.A.	AC Extension Outlet
40.	11-611016-000	Strain Relief Bushing
41.	68-100124-000	AC Power Cord (230 VAC)
42.	68-100125-000	Fuse Holder
43.	11-685009-000	Fast-Blo Fuse (1.5 Amp)
44.	11-176009-001	Keps Nut (#4-40)
45.	11-199003-001	Internal Tooth Lockwasher (#10)
46.	11-012330-001	C.R. Pan Head Screw (#10-24 x 5/8")
47.	11-012284-001	C.R. Pan Head Screw (#6-32 x 2")

N.A. = No Longer Available

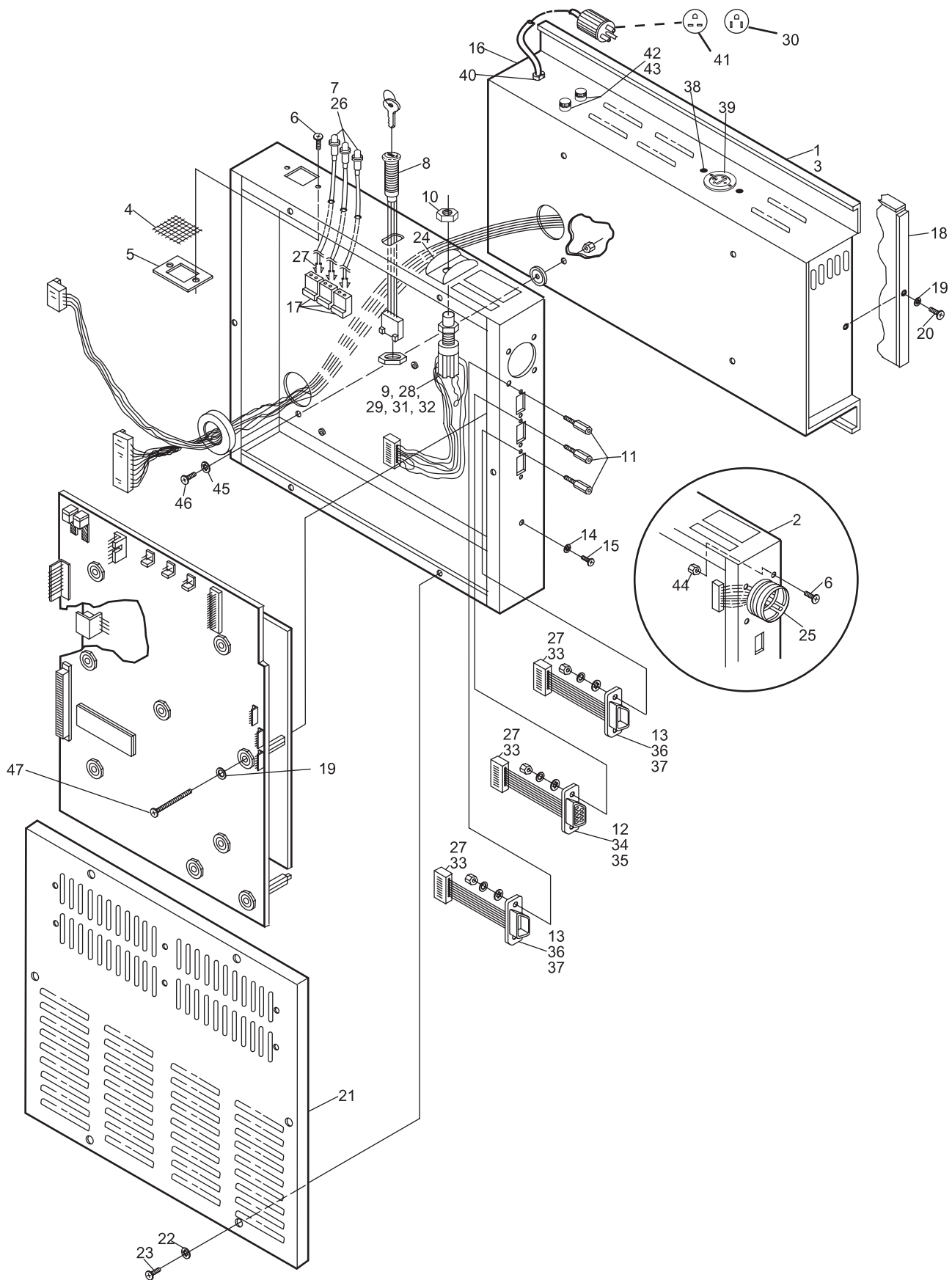
Associated Interconnecting Cables

68-100215-000	Local Comline "Y" Cable (J8)
68-100494-020	Video Cable - Four Monitor Version (Internal Hook-up)
68-100272-000	Ground Strap Cable (Gamemaker To Video Switcher to Pinsetter)
68-100212-000	Master Comline (J7 Master Com "Out" to J6 Master Com "In")
**27-609857-000	Master Comline (to first Gamemaker)

* You must contact Brunswick Customer Service to determine the correct software for your center. Call 1-800-YES-BOWL (1-800-937-2695)

** Custom cable only to first Gamemaker in system

BowlerVision Gamemaker



BowlerVision Gamemaker

Index No.	Part No.	Description
1.	68-860002-000	Video Switcher (UHF Version, 230 VAC) (Brunswick Repair/Exchange)
2.	68-860130-000	Video Switcher (BNC Version, 115 VAC, 4 Monitor) (Reference Power Plug) (Brunswick Repair/Exchange)
3.	68-860128-000	Video Switcher (BNC Version, 230 VAC, 4 Monitor) (Reference Power Plug) (Brunswick Repair/Exchange)
4.	N.A.	Terminal
5.	***N.A.	75 Ohm 4-3 Monitor Terminator
6.	68-100494-020	Serial Out-Video Cable Assembly
7.	11-176005-001	Keps Nut (#6-32)
8.	11-012274-001	Screw (#6-32 x 1/2")
9.	11-601800-000	Quick Lock Stud
10.	11-685126-000	Fuse Holder
11.	11-684011-000	Fuse (for 230 V Version)
12.	11-684002-000	Fuse (for 115 V Version)
13.	*11-696267-000	75 Ohm Terminator (UHF)
14.	*11-696265-000	75 Ohm Terminator (BNC)

Note: If you have a Coach/Playpad in your center, order 1 each index no. 3 and 1 each index no. 13.

* Only on last Video Switcher in system

** Custom cables only

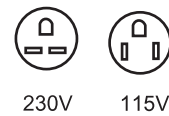
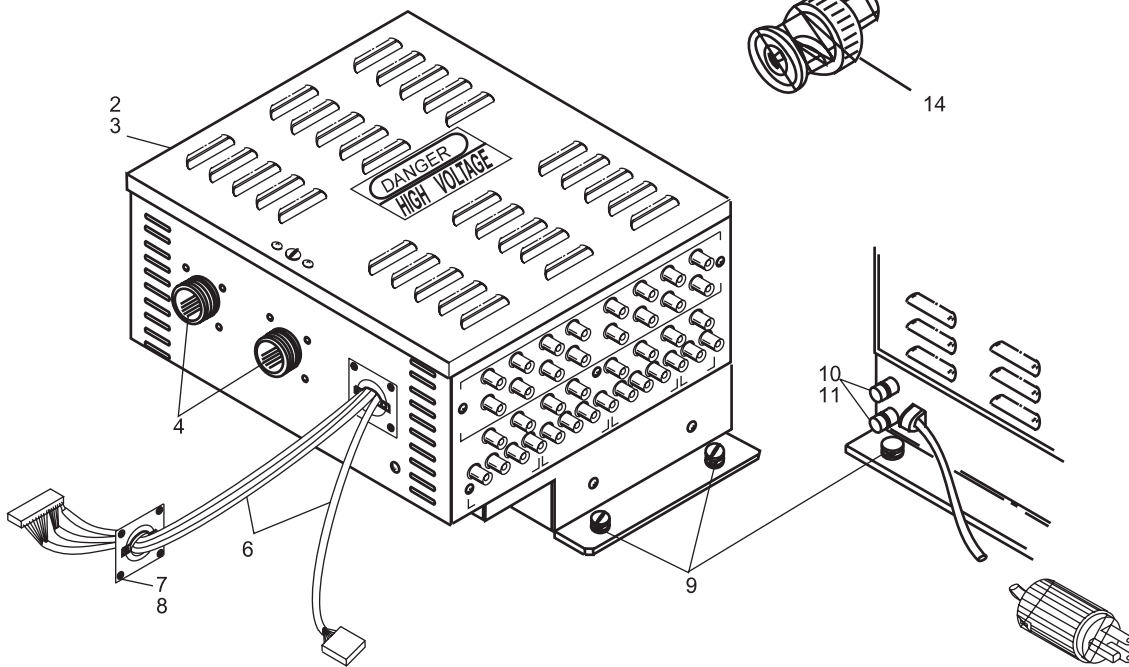
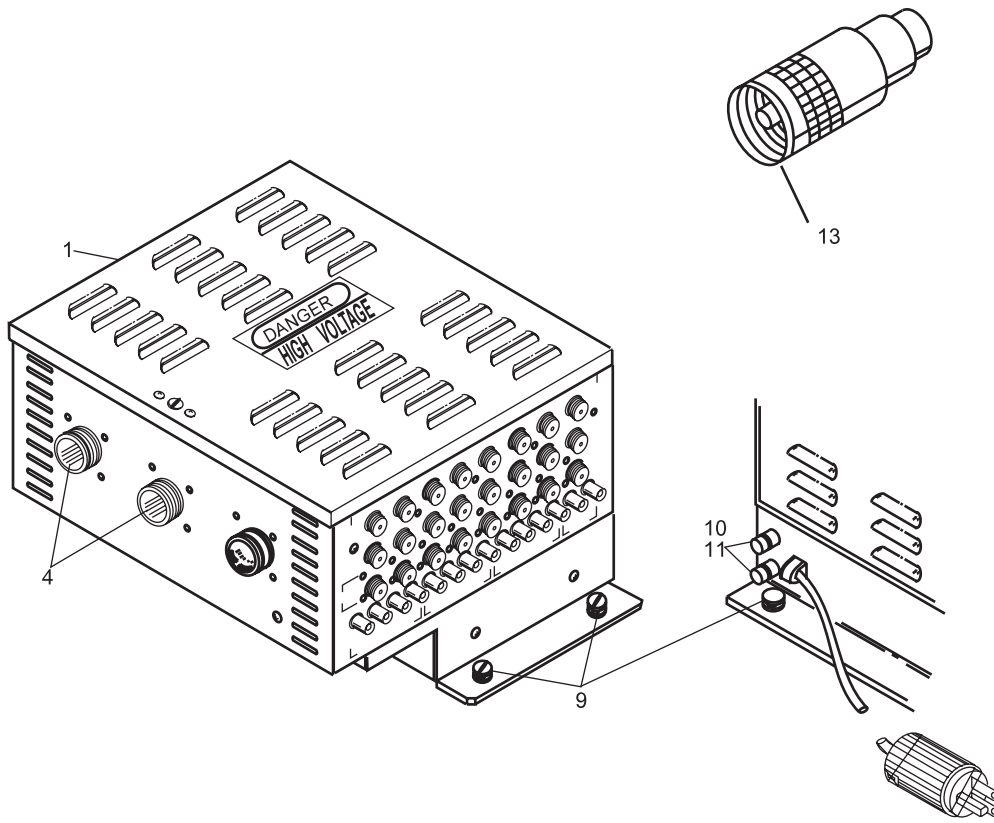
*** Not illustrated

N.A. = No Longer Available

Associated Interconnecting Cables

68-100272-000	Ground Cable Assembly (Video Switcher to Gamemaker to Pinsetter)
68-100523-000	Scorer Correct Video Cable Assembly (Video Switcher to next Video Switcher.)
68-100523-000	Global Video Cable Assembly (Video Switcher to next Video Switcher)
68-100328-000	Global Audio Cable Assembly (Video Switcher to next Video Switcher)
68-100656-000	Lower Right Fourth Monitor Video Cable Assembly
68-100487-000	Overhead Left or Right RGBS Video Cable Assembly (100')
68-100467-000	Coach RGBSA Video Cable Assembly (110')
68-100488-000	Score Correct/Global Video Cable Assembly
**27-619032-000	Score Correct Video and Global Video Cable Assembly (to first Video Switcher in system)
**27-609011-000	Global Audio Cable Assembly (to "Audio In" on Video Switcher)

BowlerVision Lane Pair Video Switchers



BowlerVision Lane Pair Video Switchers

Index No.	Part No.	Description
1.	68-860125-400	A/P Controller Package (Brunswick Repair/Exchange)
2.	*68-860125-401	A/P Controller Assembly
3.	68-300217-000	Enclosure
4.	68-300218-000	Cover
5.	68-300219-000	Divider
6.	68-300221-000	Mounting Bracket
7.	*68-860173-402	PC Board Assembly
8.	11-696627-000	Circuit Breaker (1.0 Amp)
9.	11-696630-000	PC Mount Circuit Breaker
10.	11-012024-001	Screw (#6-32 x 5/16")
11.	68-300211-000	Switch Assembly
12.	68-300213-000	Plug Assembly
13.	11-685126-000	Fuse Holder
14.	11-684104-000	Fuse (1 Amp)
15.	68-300212-000	Transformer Assembly
16.	11-170004-001	Nylok Nut (#8-32)
17.	68-300216-000	Wire Assembly
18.	68-300214-000	Wire Assembly
19.	11-070700-001	Carriage Bolt (1/4-20 x 5-1/2")
20.	11-001178-001	Screw (1/4-20 x 1/2")
21.	11-012057-001	Screw (#8-32 x 5/16")
22.	11-125007-001	Nut (1/4-20)
23.	11-615038-000	3 Position Toggle Lock Switch
24.	N.A.	Connector
25.	N.A.	Utility Outlet
26.	68-300210-000	A/P Input Power Plug
27.	11-692091-000	Terminal
28.	11-692306-000	Receptacle

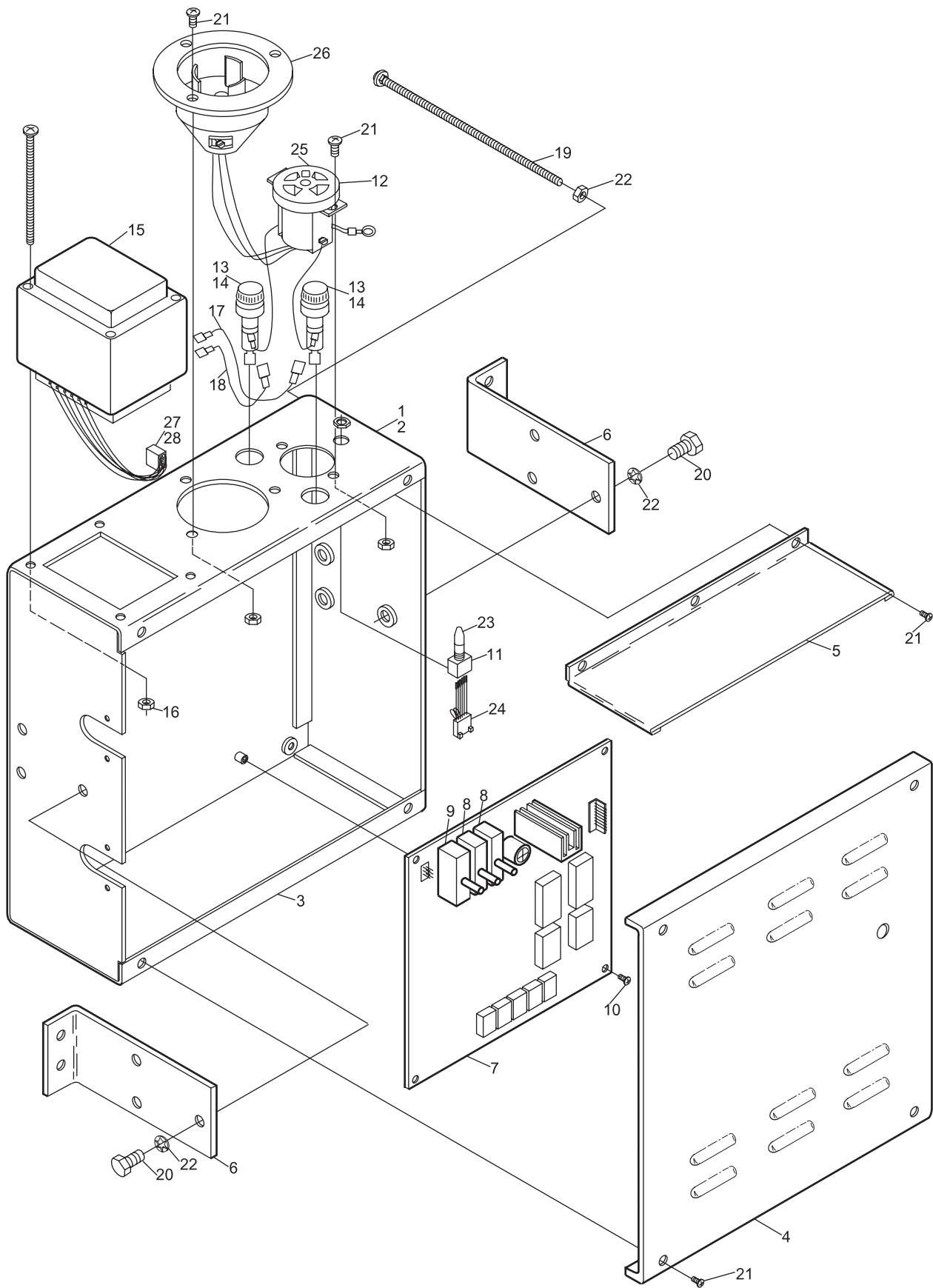
* You must contact Brunswick Customer Service to determine the correct software for your center. Call 1-800-YES-BOWL (1-800-937-2695)

N.A. = No Longer Available

Associated Interconnecting Cables

68-300226-000	A/P Controller to Scanner Cable Assembly (J3)
68-300207-000	Respot Right Control Cable Assembly (J8)
68-300225-000	APS Right Control Cable Assembly (J12)
68-300228-000	Foul Control Cables Assembly (J9)
68-300231-000	Pinfall Display Cable Assembly (J2)
68-300230-000	Overhead Control Cable Assembly (J5)
68-300239-000	Playpad/Service Light Cable Assembly (J6)
68-300236-000	APS Left Control Cable Assembly (J11)
68-300208-000	Respot Left Control Cable Assembly (J7)

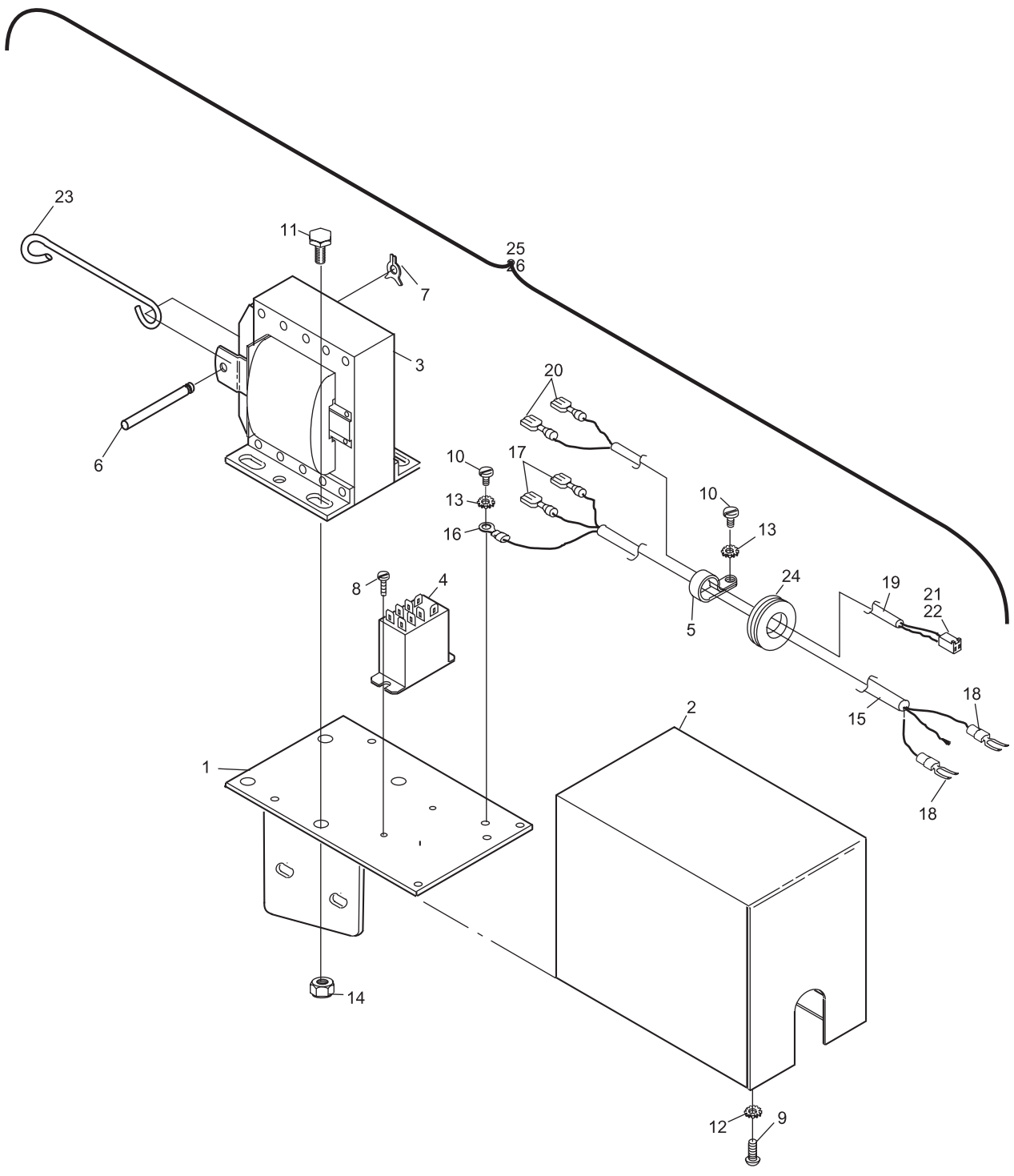
BowlerVision A/P Controller (A-2)



BowlerVision A/P Controller (A-2)

Index No.	Part No.	Description
1.	68-300203-000	Bracket
2.	68-300204-000	Cover
3.	68-300202-000	A-2 Respot Pins Solenoid Assembly
4.	11-696622-000	Relay
5.	11-604106-000	Cable Clamp
6.	12-100166-019	Pin - "X" Washer
7.	11-230000-001	"X" Washer
8.	11-013004-001	Pan Hd. Mach. Screw (#4-40 x 3/8")
9.	11-013019-001	Pan Hd. Mach. Screw (#6-32 x 3/16")
10.	11-013056-001	Pan Hd. Sltd. Mach. Screw (#8-32 x 1/2")
11.	11-001178-001	Hex Hd. Screw (#1/4-20 x 1/2")
12.	11-198001-001	External Tooth Washer (#6)
13.	11-198002-001	External Tooth Washer (#8)
14.	11-170007-001	Nylok Locknut
15.	68-300206-000	Cable Assembly
16.	11-612010-000	Terminal
17.	11-612151-000	Receptacle
18.	11-612021-000	Terminal
19.	68-300208-000	L.H. A/P Control Cable Assembly
	68-300207-000	R.H. A/P Control Cable Assembly
20.	11-612151-000	Receptacle
21.	11-697233-000	Terminal
22.	11-680326-000	Terminal
23.	68-300205-000	Link
24.	11-651018-000	Grommet
25.	68-300201-010	Right Respot Pins Solenoid Assembly - Complete
26.	68-300201-020	Left Respot Pins Solenoid Assembly - Complete

BowlerVision A-2 Respot Pins Solenoid and Relay Assembly



BowlerVision A-2 Respot Pins Solenoid and Relay Assembly

Index No.	Part Number	Description
1.	N.A.	Cover
2.	*N.A.	PCB Assembly
3.	N.A.	Enclosure
4.	11-185353-000	Standoff (#8-32 x 3/4")
5.	N.A.	Mounting Bracket
6.	11-176007-001	Keps Nut (#8-32)
7.	11-012057-001	Pan Hd. C.R. Mach. Screw w/Internal Tooth Lockwasher (#8-32 x 5/16")
8.	11-679604-000	Vibration Insulator
9.	57-215035-000	Cable Clamp
10.	57-215034-000	Cable Clamp
11.	11-603105-000	Cable Tie
12.	11-611009-000	Strain Relief Bushing
13.	11-611650-000	Split Bushing
14.	11-012271-001	Pan Hd. C.R. Mach. Screw (#6-32 x 5/16")
15.	11-176005-001	Keps Nut (#6-32)
16.	11-012330-001	Pan Hd. C.R. Screw (#10-24 x 5/8")
17.	11-176006-001	Keps Nut (#10-24)
18.	10-191516-000	Washer
19.	*57-860437-401	Model "M" 5 Pin String Interface to AS-80 (Brunswick Repair/Exchange)
20.	N.A.	Rod Bracket Assembly
21.	N.A.	Angled Bracket Assembly
22.	57-215287-000	Clamp
23.	57-215285-000	Shaft (3/8" Dia.)
24.	N.A.	Bearing Bracket Assembly
25.	11-125100-001	Hex Nut (#1/4-20)
26.	11-010144-001	Hex Hd. Mach. Screw (#1/4-20 x 2-1/2")
27.	11-616015-000	Switch
28.	11-010509-001	Slt'd. Hex Hd. Mach. Screw (#4-40 x 3/4")
29.	10-616051-000	Nut Plate (#4-40)
30.	11-199000-001	Lockwasher (#4)
31.	11-617501-000	Insulator
32.	12-100084-000	Spring
33.	12-250011-003	Spacer
34.	11-190014-001	Plain Washer (#3/8)

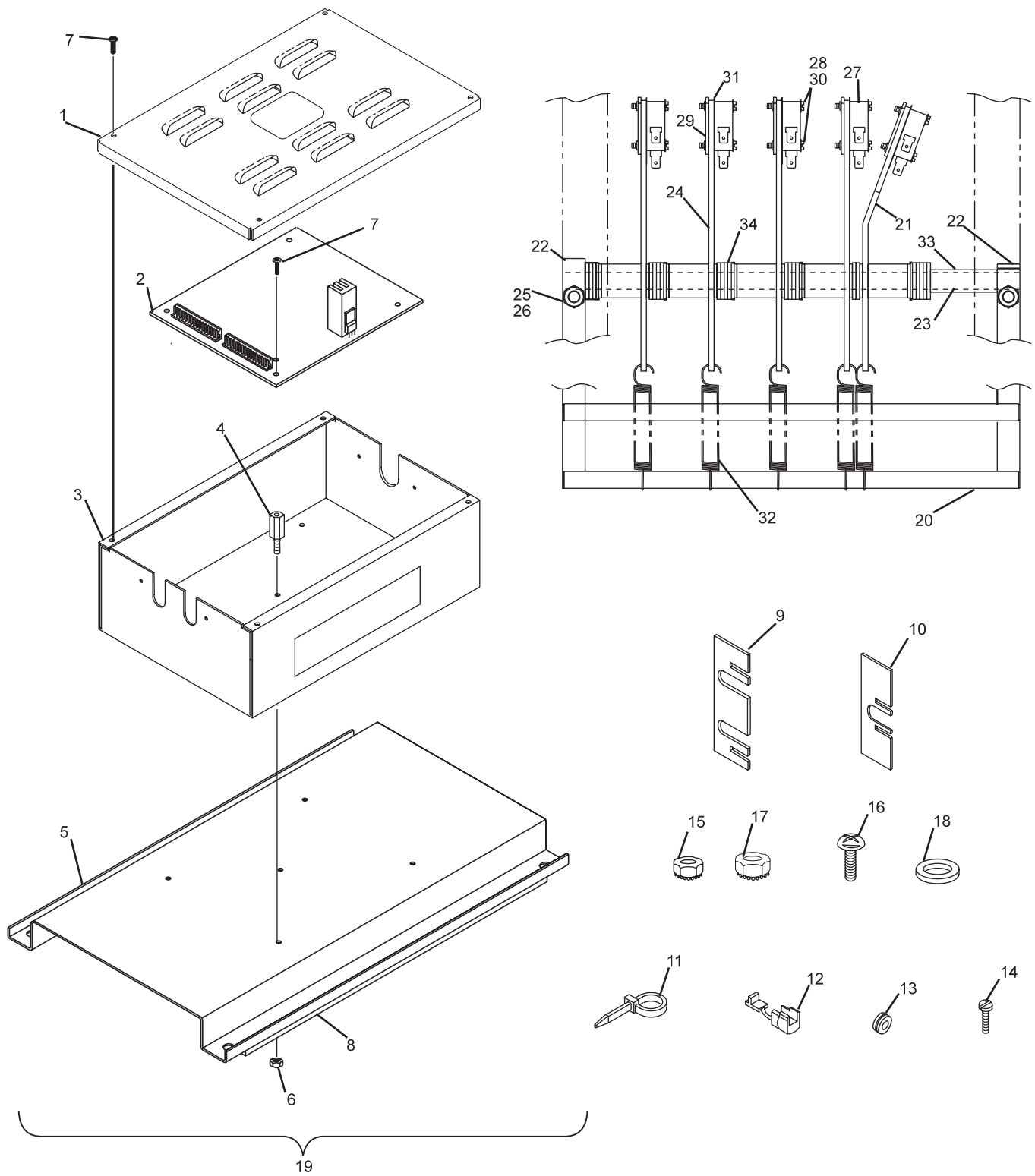
N.A. = No Longer Available

* You must contact Brunswick Customer Service to determine the correct software for your center. Call 1-800-YES-BOWL (1-800-937-2695)

Associated Interconnecting Cables

57-215231-000	Foul Cable Assembly
57-215230-000	Ball Detect Cable Assembly
57-215054-000	AS-80 Lane Data Cable Assembly
57-215267-000	A/P Lane 1 Cable Assembly
57-215266-000	A/P Lane 2 Cable Assembly
57-215265-000	Pin Data Cable Assembly

PinSensor for String Pinsetter Model "M" (5 Pins)



PinSensor for String Pinsetter Model "M" (5 Pins)

Index No.	Part No.	Description
1.	57-860459-402	Package - Model "P" Five Pin String Machine Interface to AS-80 without Scanner (Brunswick Repair/Exchange)
2.	11-679604-000	Vibration Insulator
3.	57-215034-000	Cable Clamp
4.	57-215035-000	Cable Clamp
5.	11-611009-000	Strain Relief Bushing
6.	11-611650-000	Split Bushing
7.	11-012271-001	Pan Hd. C.R. Screw (#6-32 x 5/16")
8.	11-176005-001	Keps Nut (#6-32)
9.	11-603105-000	Cable Tie
10.	11-082125-001	Round Hd. C.R. Self Tapping Screw (#12 x 7/8")
11.	N.A.	Mounting Bracket
12.	N.A.	Enclosure
13.	N.A.	Cover
14.	*57-215299-402	PCB Assembly
15.	11-185353-000	Hex Thd. Standoff (#5-32 x 3/4")
16.	11-012057-001	Pan Hd. C.R. Screw w/ Int. Tooth Lockwasher (#8-32 x 5/16")
17.	11-176007-001	Keps Nut (#8-32)

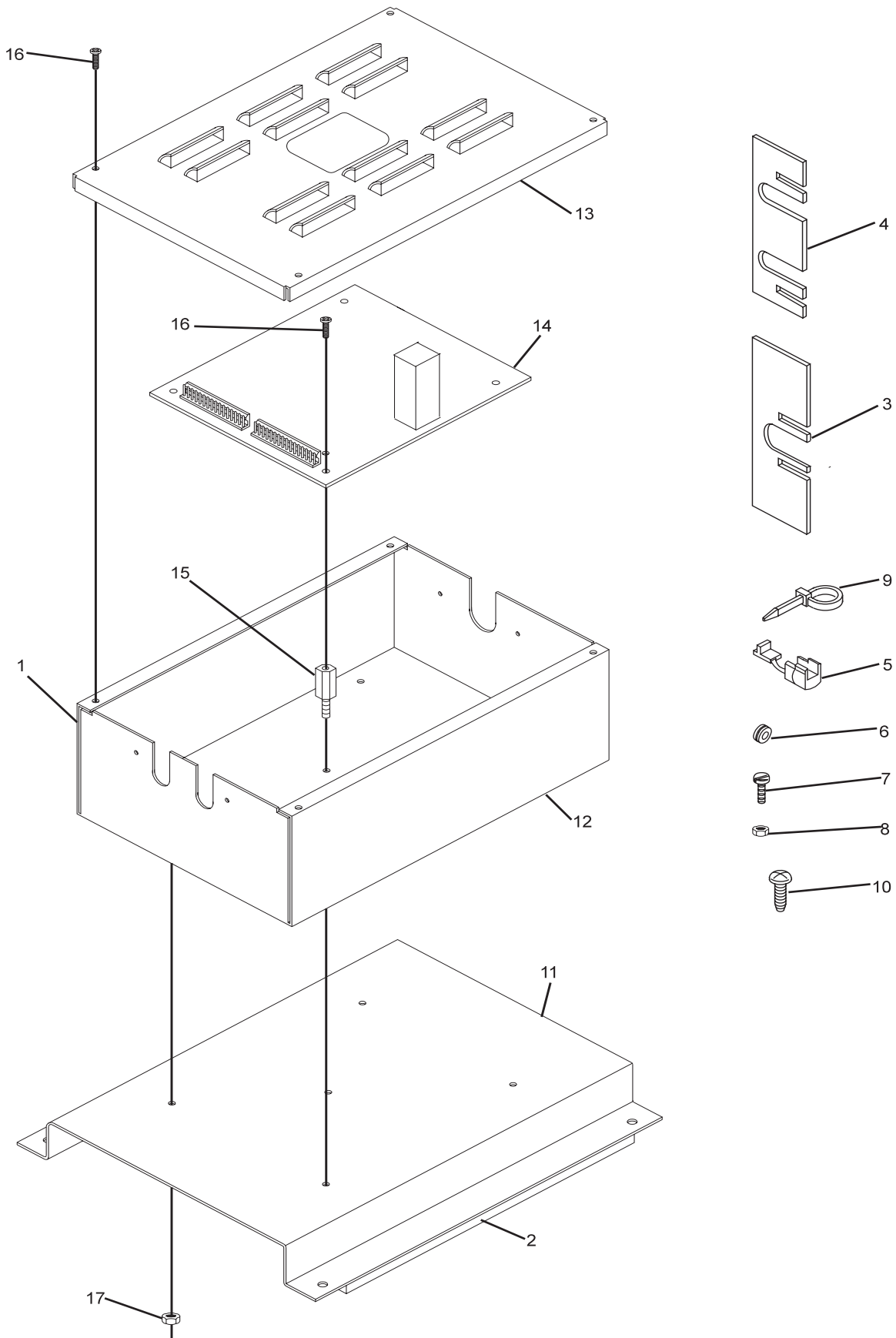
* You must contact Brunswick Customer Service to determine the correct software for your center. Call 1-800-YES-BOWL (1-800-937-2695)

N.A. = No Longer Available

Associated Interconnecting Cables

57-215054-000	Lane Data Cable Assembly
57-215230-000	Ball Detect Cable Assembly
57-215231-000	Foul Cable Assembly
57-215325-000	A/P Cable Assembly
57-215326-000	A/P Control Harness Cable Assembly

PinSensor for String Machine Model "P" (5 Pins)

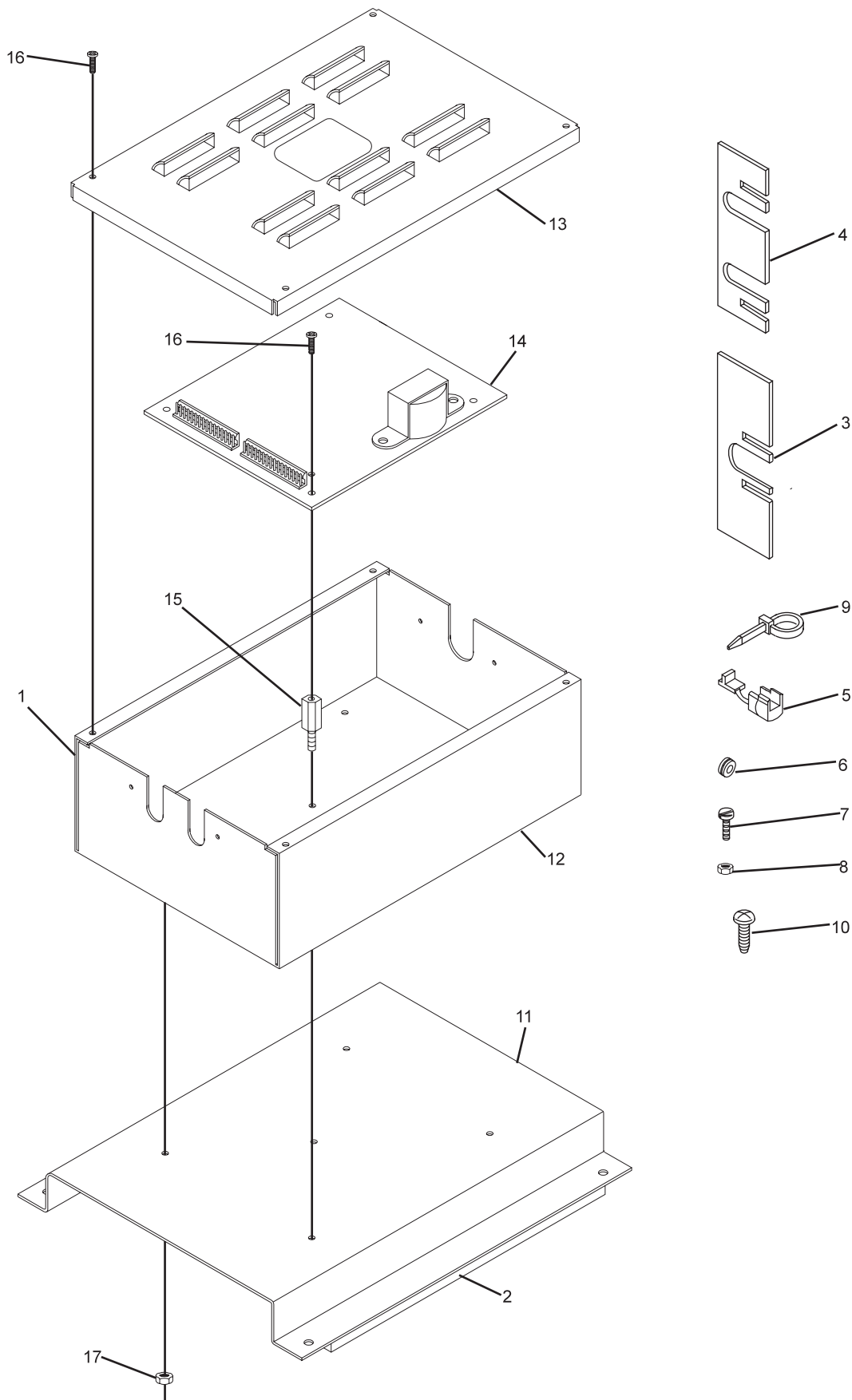


PinSensor for String Machine Model "P" (5 Pins)

Index No.	Part No.	Description
1.	57-860270-400	Package - Duckpin Model "S" 10 Pin String Machine Interface to AS-80 without Scanner (Brunswick Repair/Exchange)
2.	11-679609-000	Vibration Insulator
3.	57-215034-000	Cable Clamp
4.	57-215035-000	Cable Clamp
5.	11-611009-000	Strain Relief Bushing
6.	11-611650-000	Split Bushing
7.	11-012271-001	Pan Hd. C.R. Screw (#6-32 x 5/16")
8.	11-176005-001	Keps Nut (#6-32)
9.	11-603105-000	Cable Tie
10.	11-082125-001	Round Hd. C.R. Self Tapping Screw (#12 x 7/8")
11.	N.A.	Mounting Bracket
12.	N.A.	Enclosure
13.	N.A.	Cover
14.	N.A.	PCB Assembly
15.	11-185353-000	Hex Thd. Standoff (#5-32 x 3/4")
16.	11-012057-001	Pan Hd. C.R. Screw w/ Int. Tooth Lockwasher (#8-32 x 5/16")
17.	11-176007-001	Keps Nut (#8-32)

N.A. = No Longer Available

PinSensor for Duckpin String Machine Model "S" (10 Pins)



PinSensor for Duckpin String Machine Model "S" (10 Pins)

Index

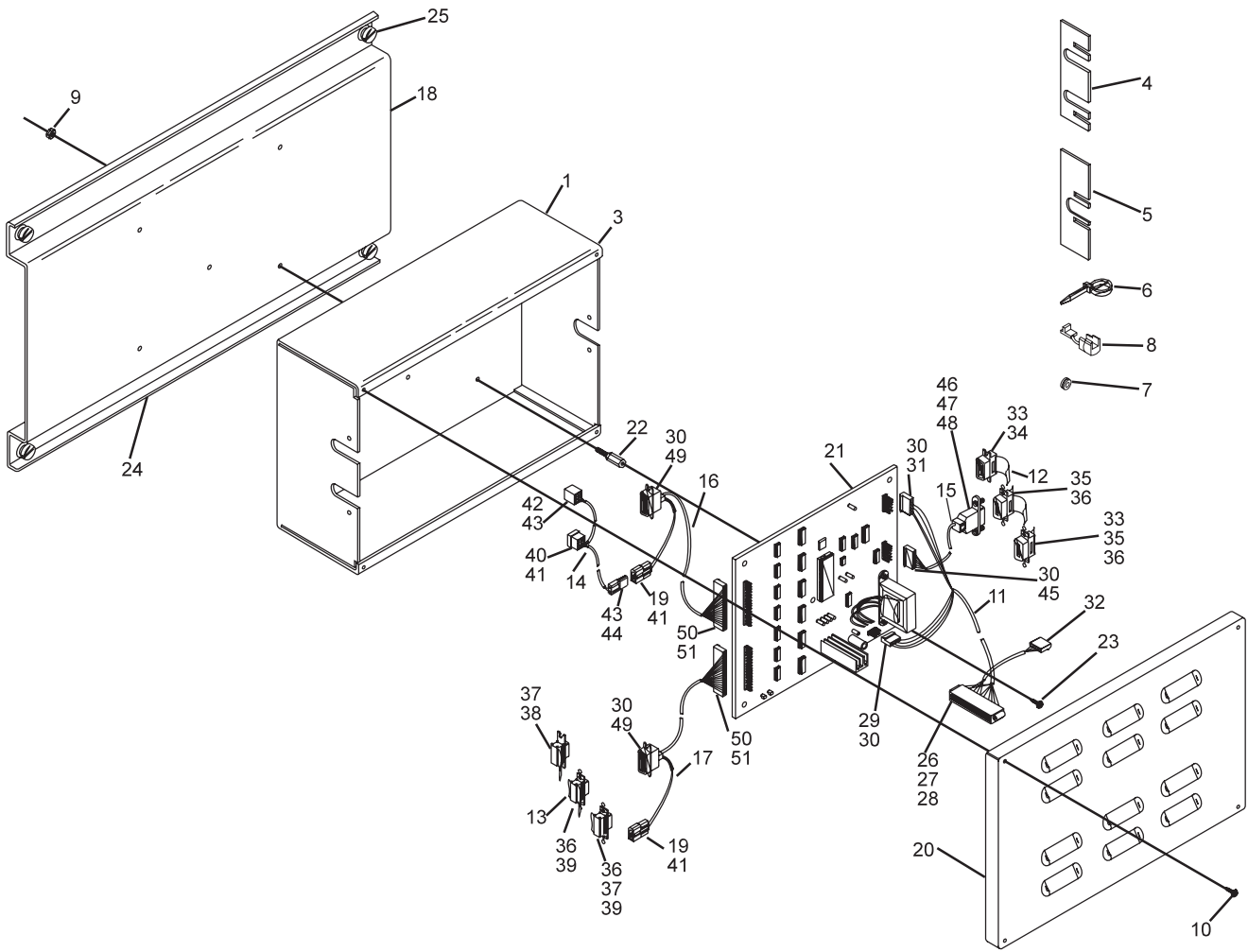
No.	Part No.	Description
1.	N.A.	Enclosure Only
2.	*57-860347-000	Cable Package -Scorer to GS-92 Cables
3.	57-860342-401	Interface PCB & Cover Assembly
4.	57-215035-000	Cable Clamp
5.	57-215034-000	Cable Clamp
6.	11-603105-000	Cable Tie
7.	11-611650-000	Split Bushing
8.	11-611009-000	Strain Relief Bushing
9.	11-176007-001	Keps Nut (#8-32)
10.	11-012271-001	C.R. Screw (#6-32 x 5/16")
11.	57-215054-000	A/C to Interface Box Cable Assembly
12.	57-215084-000	Foul & Ball Detect Interface Cable Assembly
13.	N.A.	Switch Data Interface Cable Assembly
14.	57-215086-000	Manager's Control Interface Cable Assembly
15.	57-215087-000	Foul & Ball Detect Cable Assembly
16.	57-215088-000	Left Lane Pin Data Cable Assembly
17.	N.A.	Right Lane Pin Data Cable Assembly
18.	N.A.	Mounting Bracket
19.	N.A.	Plug Connector
20.	N.A.	Cover
21.	**57-860350-401	PCB Assembly
22.	11-185353-000	Hex Head, Threaded Standoff (#8-32 x 3/4")
23.	11-012057-001	Pan Hd. C.R. Screw w/Int. Tooth Lockwasher (#8-32 x 3/4")
24.	11-679604-000	Vibration Insulator
25.	11-601800-000	Quick Lock Stud
26.	11-696801-000	Connector
27.	11-696927-000	Terminal
28.	11-680425-000	Polarizing Key
29.	11-697238-000	Connector
30.	11-680326-000	Terminal
31.	11-697216-000	Connector
32.	57-215236-000	Cable Assembly
33.	N.A.	Strain Relief
34.	11-697333-000	Plug Connector
35.	11-697334-000	Socket Connector
36.	11-697317-000	Bail Lock Kit
37.	11-697321-000	Strain Relief
38.	11-697327-000	Plug Connector
39.	11-697335-000	Socket Connector
40.	N.A.	Connector
41.	11-680302-000	Terminal
42.	11-680218-000	Connector
43.	11-680301-000	Terminal
44.	11-680216-000	Connector
45.	11-697239-000	Connector
46.	11-697328-000	Connector
47.	11-697320-000	Cover
48.	11-697324-000	Champ Lok
49.	N.A.	Connector
50.	11-697331-000	Plug Connector
51.	11-697319-000	Cover

N.A. = No Longer Available

* Not Illustrated

** You must contact Brunswick Customer Service to determine the correct software for your center. Call 1-800-YES-BOWL (1-800-937-2695)

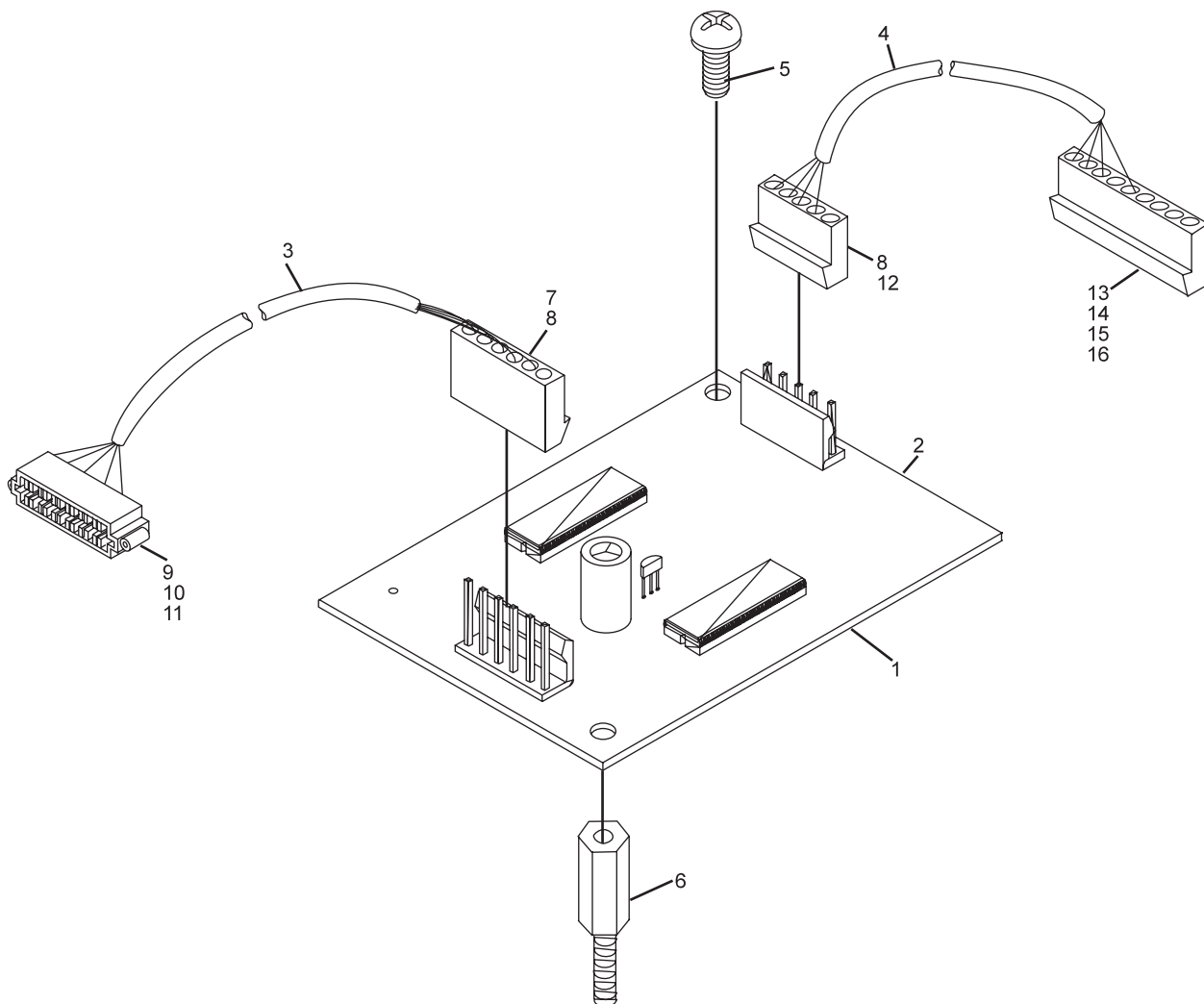
PinSensor for GS-92 Pinsetters



PinSensor for GS-92 Pinsetters

Index No.	Part No.	Description
1.	57-860566-000	AS-90/GS-92 Interface
2.	57-215426-000	AS-90/GS-92 Interface PCB
3.	57-215452-000	AC to AS-90/GS-92 Interface Cable Assembly
4.	57-215453-000	Gamesetter to AS-90 Interface Cable Assembly
5.	11-012022-001	Pan Hd. C.R. Screw (#6-32 x 3/8")
6.	11-185306-000	Standoff (#6-32)
7.	11-697239-000	Connector
8.	11-680326-000	Terminal
9.	11-696801-000	Connector
10.	11-696927-000	Terminal
11.	11-680425-000	Polarizing Key
12.	11-697216-000	Connector
13.	11-680988-000	Screw Retainer
14.	11-680985-000	Connector
15.	11-680981-000	Terminal
16.	11-680996-000	Cover

AS-90/GS-92 Interface



AS-90/GS-92 Interface