

Section L

POWER LIFT HOODS

Index

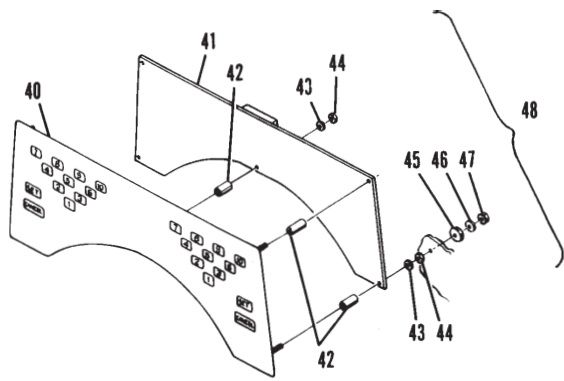
| No. | Part No. | Description |
|------------|-----------------|--|
| 1. | 11-001262-001 | Hex Hd. Cap Screw (5/16-18 x 3/4") |
| 2. | 11-170009-001 | Self Locking Nut (5/16-18 x 3/4") |
| 3. | 11-534514-000 | Retaining Ring |
| 4. | 11-440010-000 | N.A. Nylon Bearing |
| 5. | N.A. | Switch Actuator Assembly |
| 6. | N.A. | Support Bracket |
| 7. | 11-013012-000 | N.A. Sltd. Pan Hd. Machine Screw (4-40 x 1-1/8") |
| 8. | 11-199000-001 | Internal Tooth Lockwasher (#4) |
| 9. | 17-200185-000 | N.A. Spring |
| 10. | 11-616016-000 | N.A. Switch |
| 11. | N.A. | Spacer |
| 12. | 10-616051-000 | Nut Plate (4-40) |
| 13. | 11-693018-000 | N.A. Diode LED |
| 14. | N.A. | Pinfall Display PCB - Complete (See Note) |
| 15. | N.A. | Push Button Switch |
| 16. | 11-014032-009 | C.R. Flat Hd. Machine Screw (6-32 x 1-1/4") |
| 17. | 10-386115-000 | Spacer (7/32 x 3/8) |
| 18. | 53-100417-000 | N.A. Glass Face (for Units w/Reset Switch) |
| | 53-100417-020 | Glass Face (for Units w/o Reset Switch) |
| | 53-100488-000 | Glass Face (for Non-Pinfinder) |
| 19. | N.A. | Face Panel Only |
| 20. | 11-135501-000 | Well Nut (6-32) |
| 21. | 10-616058-000 | N.A. Nut Plate (8-32) |
| 22. | N.A. | Latch |
| 23. | 11-190539-001 | Flat Washer |
| 24. | 11-024127-001 | C.R. T. Hd. Machine Screw (8-32 x 1/2") |
| 25. | N.A. | Exit Switch Assembly - Complete |
| 26. | 11-042606-001 | C.R. R. Hd. Wood Screw (#14 x 1") |
| 27. | 11-006256-000 | B. Socket Hd. Wood Screw (5/16-18 x 3/8") |
| 28. | N.A. | Hood and Base Assembly (One Piece) |
| 29. | 11-131007-001 | N.A. Self Threading Nut (1/4-20) |
| 30. | 53-100440-000 | N.A. Name Plate - "Brunswick" |
| 31. | 53-100491-000 | Hood and Base Assembly - Complete |
| 32. | N.A. | C.R. Flat Hd. Wood Screw (#6 x 1/2") |
| 33. | N.A. | Hood Extrusion |
| 34. | 53-100455-000 | Hood Guide |
| 35. | N.A. | Hood Base Support |
| 36. | 11-081017-001 | Self Tapping Hex Hd. Washer Screw (#10 x 5/8") |
| 37. | 53-860708-000 | N.A. Pinfall Display PCB - Complete (See Note) |
| 38. | N.A. | Shim (As Required) |
| 39. | N.A. | Universal Pinfinder PCB - Complete (See Note) |
| 40. | N.A. | Butterfly Keyboard - Complete |
| 41. | N.A. | Player Control PCB - Complete |
| 42. | 11-185276-000 | Round Spacer (.17 I.D. x 1/4 O.D. x 3/8L) |
| 43. | 11-192011-000 | Nylon Washer |
| 44. | 11-125003-001 | Hex Nut (8-32) |
| 45. | 11-652052-000 | N.A. Rubber Washer (3/16) |
| 46. | 11-190004-001 | Flat Washer |
| 47. | 11-176007-001 | Keps Nut w/Lockwasher (8-32) |
| 48. | N.A. | Player Control Station - Complete |

N.A. = No Longer Available

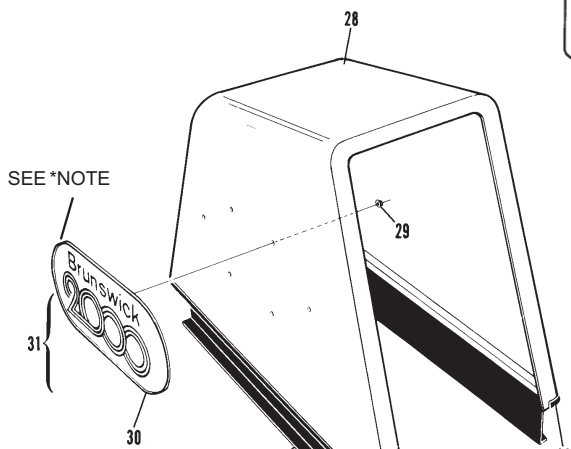
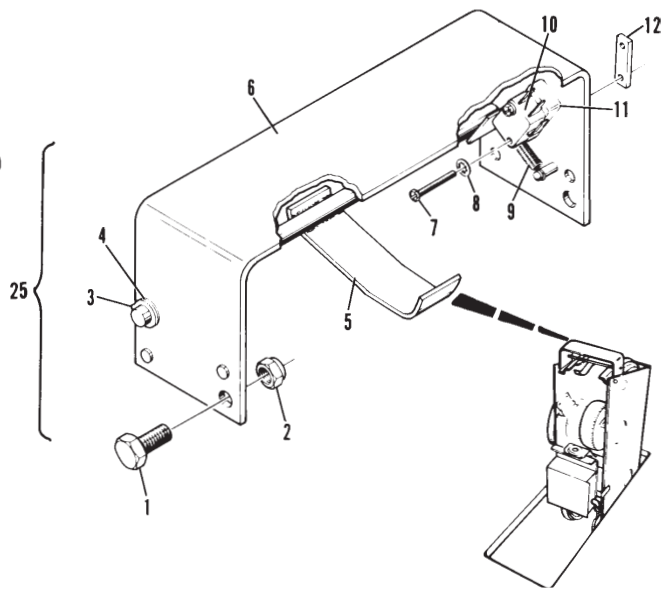
NOTE: Rebuilt PCB assemblies are available on a direct exchange basis. Your defective board assembly should be packaged and a copy of Brunswick Order Form (900.06) included to identify your center and shipped to:

Attn: Electronic Repair Center
 Brunswick Corporation
 525 W. Laketon Avenue
 Muskegon, MI 49443

"2000" Ball Lift Hood

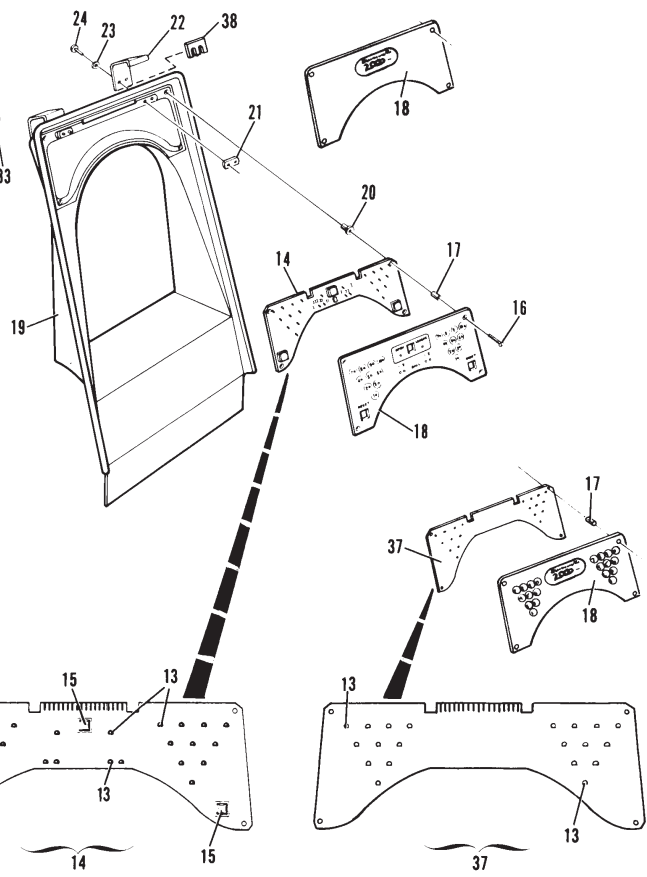
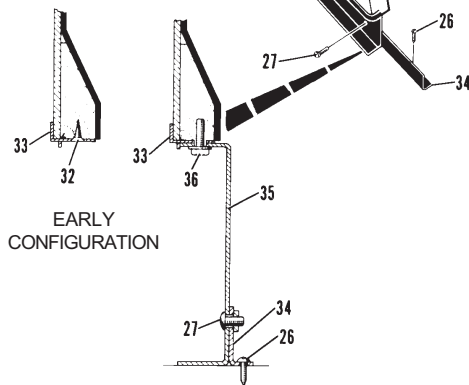


PLAYER CONTROL STATION FOR GS-10 PINSETTER



SEE *NOTE

EARLY CONFIGURATION



"2000" Ball Lift Hood

Index

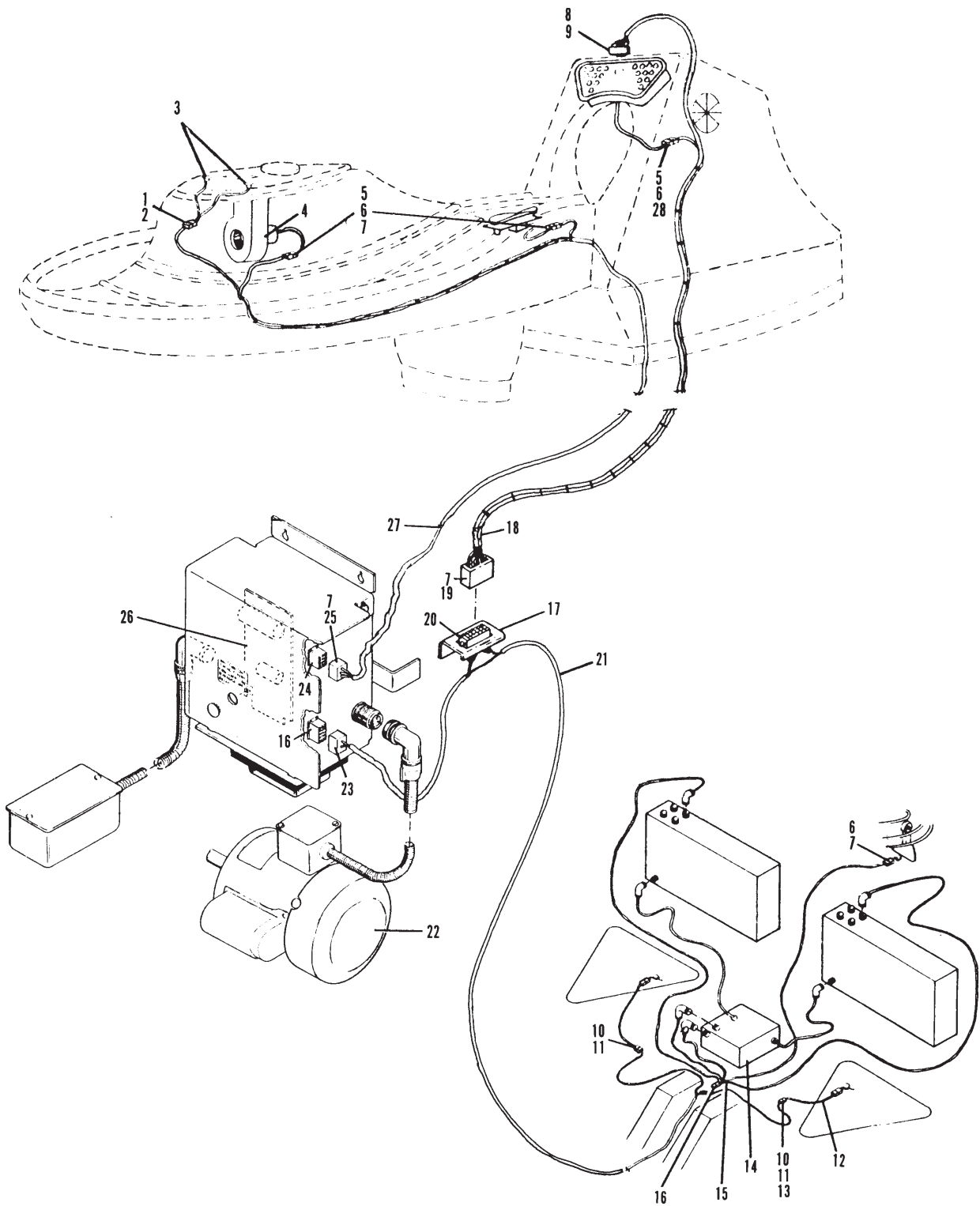
| No. | Part No. | | Description |
|------------|-----------------|------|--|
| 1. | 11-680105-000 | N.A. | Connector Plug (4 Contacts) |
| 2. | 11-680205-000 | N.A. | Receptacle (4 Contacts) |
| 3. | 11-615014-000 | | Reset Button |
| 4. | N.A. | | Blower Assembly (24V) |
| 5. | 11-680101-000 | | Connector Plug (3 Contacts) |
| 6. | 11-680201-000 | | Receptacle (3 Contacts) |
| 7. | 11-680302-000 | | Terminal |
| 8. | N.A. | | Edge Connector (22 Contacts) |
| 9. | 11-680303-000 | N.A. | Terminal |
| 10. | 11-680003-000 | N.A. | Connector Plug (12 Contacts) |
| 11. | 11-612301-000 | N.A. | Contact |
| 12. | 12-750431-000 | N.A. | Deck Switch Cable Assembly (w/o Automatic Scorers) |
| | N.A. | | Deck Switch Cable Assembly (w/ Automatic Scorers) |
| 13. | 11-680503-000 | | Connector (12 Contacts) |
| 14. | 12-502335-000 | | Control Box Assembly |
| 15. | N.A. | | Cable Assembly |
| 16. | N.A. | | Receptacle (15 Contacts) |
| 17. | N.A. | | Mounting Bracket |
| 18. | N.A. | | Cable Assembly |
| 19. | N.A. | | Connector Plug (36 Contacts) |
| 20. | N.A. | | Receptacle (36 Contacts) |
| 21. | N.A. | | Cable Assembly |
| 22. | 53-860322-010 | | Motor (1/4 H.P., 115/230V, 50/60 Hz) - Subway Return |
| | 11-860322-000 | N.A. | Motor (1/4 H.P., 115/230V, 50/60 Hz) - Concealed Surface Return |
| 23. | N.A. | | Connector Plug (15 Contacts) |
| 24. | N.A. | | Receptacle (12 Contacts) |
| 25. | 11-680108-000 | N.A. | Connector Plug (12 Contacts) |
| 26. | N.A. | | PCB Assembly - Complete (See Note) |
| 27. | N.A. | | Cable Assembly - Orbital |
| | N.A. | | Cable Assembly - Linear |
| 28. | 11-680301-000 | | Terminal |

N.A. = No Longer Available

NOTE: Rebuilt PCB assemblies are available on a direct exchange basis. Your defective board assembly should be packaged and a copy of Brunswick Order Form (900.06) included to identify your center and shipped to:

Attn: Electronic Repair Center
Brunswick Corporation
525 W. Laketon Avenue
Muskegon, MI 49443

Universal Voltage Ball Return System



Universal Voltage Ball Return System

Index

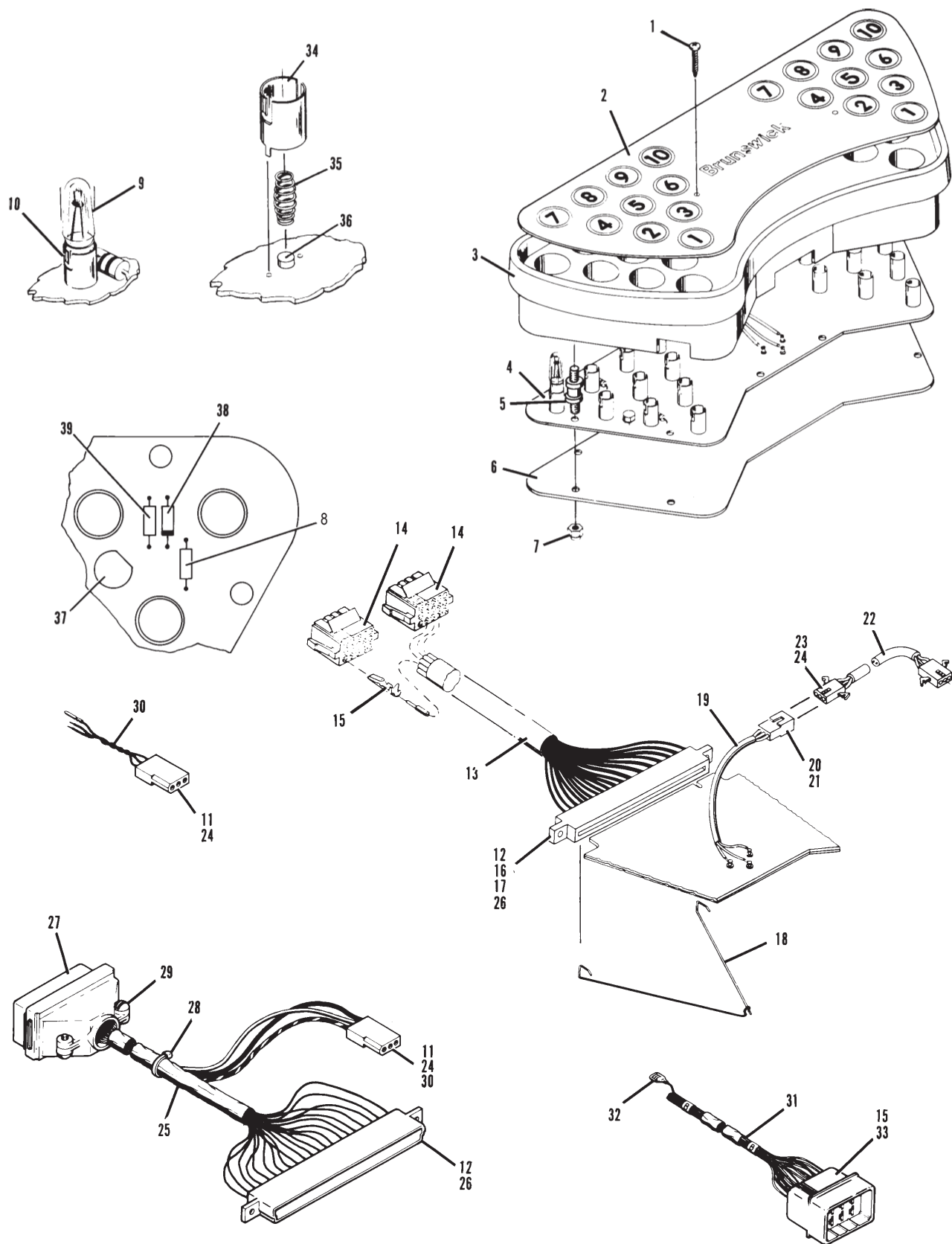
| No. | Part No. | | Description |
|------------|-----------------|------|--|
| 1. | N.A. | | C. R. Pan Hd. Machine Screw (8-32 x 3/8") |
| 2. | N.A. | | Cover Glass |
| 3. | N.A. | | Bezel (Astroline Gray) |
| | N.A. | | Bezel (Astro 2 White) |
| 4. | N.A. | | PCB Assembly - Complete (See Note) |
| 5. | N.A. | | Rubber Mount |
| 6. | N.A. | | Guard |
| 7. | 11-170004-001 | | Self Locking Nut (8-32) |
| 8. | 11-691098-000 | N.A. | Resistor |
| 9. | N.A. | | Lamp #47 |
| 10. | N.A. | | Lampholder |
| 11. | 11-680201-000 | | Receptacle (3 Contacts) |
| 12. | 11-680303-000 | N.A. | Terminal |
| 13. | N.A. | | Cable Assembly |
| 14. | 11-680003-000 | N.A. | Connector Plug (12 Circuits) |
| 15. | 11-612301-000 | N.A. | Contact |
| 16. | N.A. | | Connector - (Blue) |
| 17. | N.A. | | Contacts (for Blue Connector) |
| 18. | N.A. | | Spring Clip (for Blue Connector) |
| | N.A. | | Spring Clip (for White Connector) |
| 19. | N.A. | | Cable Assembly (8") |
| 20. | 11-680101-000 | N.A. | Connector Plug (3 Contacts) |
| 21. | 11-680302-000 | | Terminal |
| 22. | N.A. | | Cable Assembly (144") |
| 23. | 11-680203-000 | | Receptacle (3 Contacts) |
| 24. | 11-680301-000 | | Terminal |
| 25. | N.A. | | Cable Assembly - Complete |
| 26. | N.A. | | Edge Connector (22 Contacts) |
| 27. | N.A. | | Connector Plug (36 Contacts) |
| 28. | 11-603108-000 | N.A. | Cable Tie (3-5/8) |
| 29. | N.A. | | Sltd. Rd. Hd. Machine Screw (6-32 x 5/16") |
| 30. | N.A. | | Cable Assembly |
| 31. | N.A. | | R.H. Pinfinder Adapter Cable |
| | N.A. | | L.H. Pinfinder Adapter Cable |
| 32. | 11-612253-000 | | Faston Connector |
| 33. | 11-680503-000 | N.A. | Connector (12 Circuits) |
| 34. | N.A. | | Shell |
| 35. | N.A. | | Spring |
| 36. | N.A. | | Rivet |
| 37. | N.A. | | Transistor |
| 38. | 11-693004-000 | N.A. | Diode |
| 39. | N.A. | | Resistor |

N.A. = No Longer Available

NOTE: Rebuilt PCB assemblies are available on a direct exchange basis. Your defective board assembly should be packaged and a copy of Brunswick Order Form (900.06) included to identify your center and shipped to:

Attn: Electronic Repair Center
 Brunswick Corporation
 525 W. Laketon Avenue
 Muskegon, MI 49443

Pinfall Display Assembly



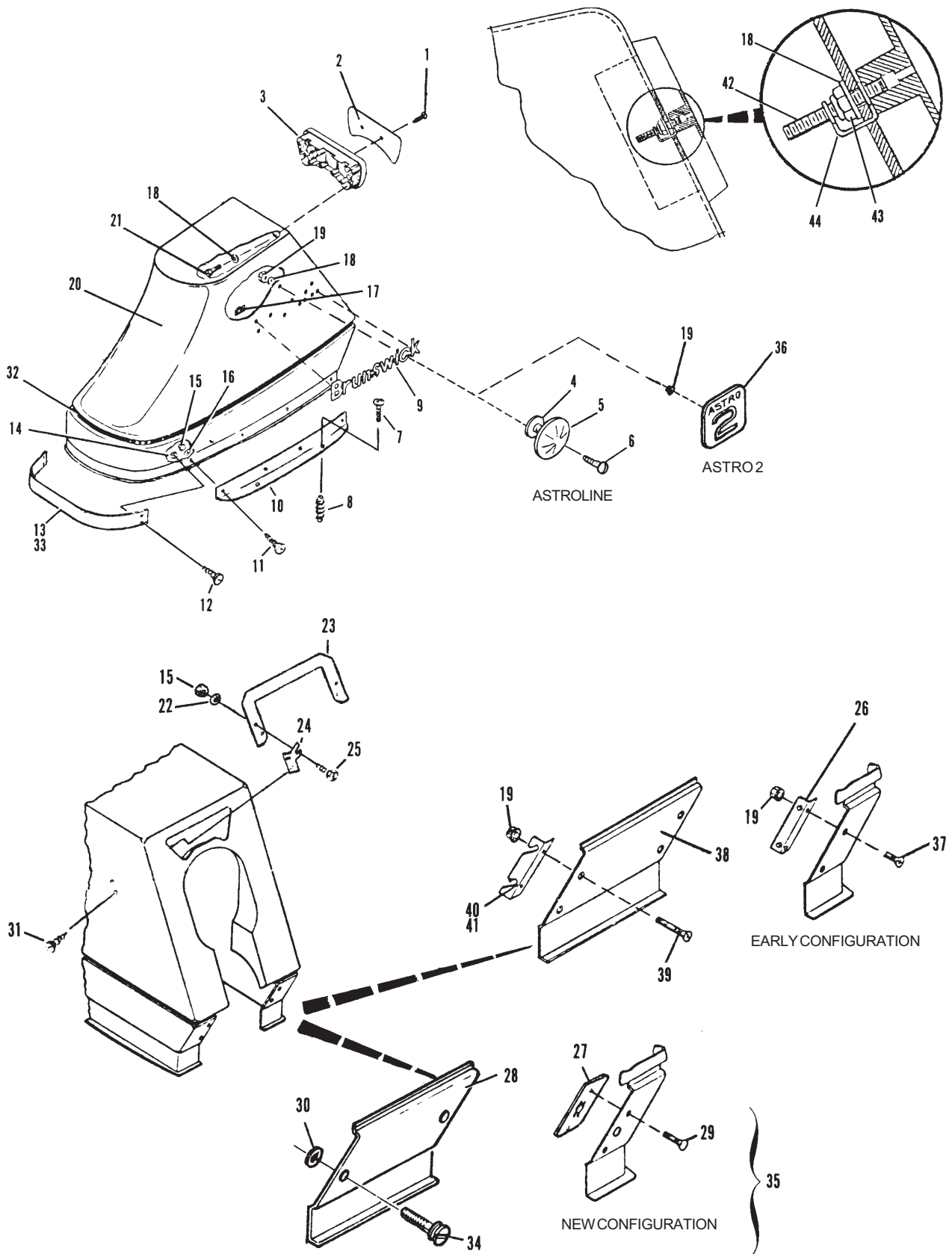
Pinfall Display Assembly

| Index | | | Index | | |
|-------|---------------|--|-------|----------------|---|
| No. | Part No. | Description | No. | Part No. | Description |
| 1. | N.A. | C. R. Pan Hd. Machine Screw (8-32 x 3/8") | 23. | N.A. | Hood Stabilizer |
| 2. | N.A. | Cover Glass | 24. | N.A. | Mounting Bracket |
| 3. | N.A. | Bezel (Astroline Gray) | 25. | 11-001186-001 | Hex Hd. Cap Screw (1/4-20 x 1-1/4") |
| 4. | N.A. | Bezel (Astro 2 White) | 26. | N.A. | Hood Bracket |
| 5. | 53-520078-003 | N.A. Shim | 27. | N.A. | Receptacle |
| 5. | N.A. | Blue Emblem | 28. | N.A. | Door Assembly (Astroline Gray) |
| | N.A. | Yellow Emblem | | N.A. | Door Assembly (Astro 2 Brown) |
| | N.A. | Orange Emblem | 29. | N.A. | Pop Rivet (1/8) |
| | N.A. | Green Emblem | 30. | N.A. | Retainer |
| 6. | N.A. | Ribbed Neck Carriage Bolt (10-24 x 1-1/2") | 31. | N.A. | Self Tapping C.R. Flat Hd. Screw (#6 x 1/2") |
| 7. | N.A. | C.R. T. Hd. Machine Screw w/Nylok (5/16-18 x 3/4") | 32. | N.A. | Black Plastic Tape (3/8") - Roll |
| 8. | N.A. | Taplok Insert (5/16-18) | | N.A. | Blue Plastic Tape (3/8") - Roll |
| 9. | N.A. | Name Plate (Astroline Gray) | 33. | *11-676027-000 | N.A. Cement (Pint) - Used w/index No. 13 |
| 10. | N.A. | Name Plate (Astro 2 Blue) | | 11-676047-000 | Cement (Gallon) |
| 10. | N.A. | Mounting Bracket | 34. | N.A. | Screw Fastener |
| 11. | 11-026289-011 | N.A. C.R. Oval Hd. Machine Screw (1/4-20 x 1") | 35. | N.A. | Door Modification Kit (Astroline Gray Only) |
| 12. | N.A. | C.R. T. Hd. Machine Screw (8-32 x 3/4") | 36. | N.A. | Astro 2 Emblem |
| 13. | N.A. | Base Moulding (Linear Feet) | 37. | N.A. | C.R. Flat Hd. Machine Screw (10-24 x 3/4") |
| 14. | 11-170004-001 | Self Locking Nut (8-32) | 38. | N.A. | Fibreglass Door |
| 15. | 11-170007-001 | Self Locking Nut (1/4-20) | 39. | 11-014082-001 | N.A. C.R. Flat Hd. Machine Screw (10-24 x 3/8") |
| 16. | 11-190010-001 | Flat Washer (1/4) | 40. | N.A. | R.H. Door Bracket - Opposite |
| 17. | N.A. | Push On Fastener | 41. | N.A. | L.H. Door Bracket - Shown |
| 18. | 11-190006-001 | Flat Washer (#10) | 42. | N.A. | Set Screw (10-24 x 1-1/4") |
| 19. | 11-176006-001 | Keps Nut (10-24) | 43. | 11-170104-001 | Self Locking Nut (10-24) |
| 20. | N.A. | Hood Only (Astroline Gray) | 44. | N.A. | Retainer Wire |
| 20. | N.A. | Hood Only (Astro 2 White) | | | |
| 21. | N.A. | Hex Hd. Cap Screw (10-24 x 1/2") | | | |
| 22. | 11-190508-001 | Flat Washer | | | |

N.A. = No Longer Available

* Not Illustrated

Subway Return Power Lift Hood



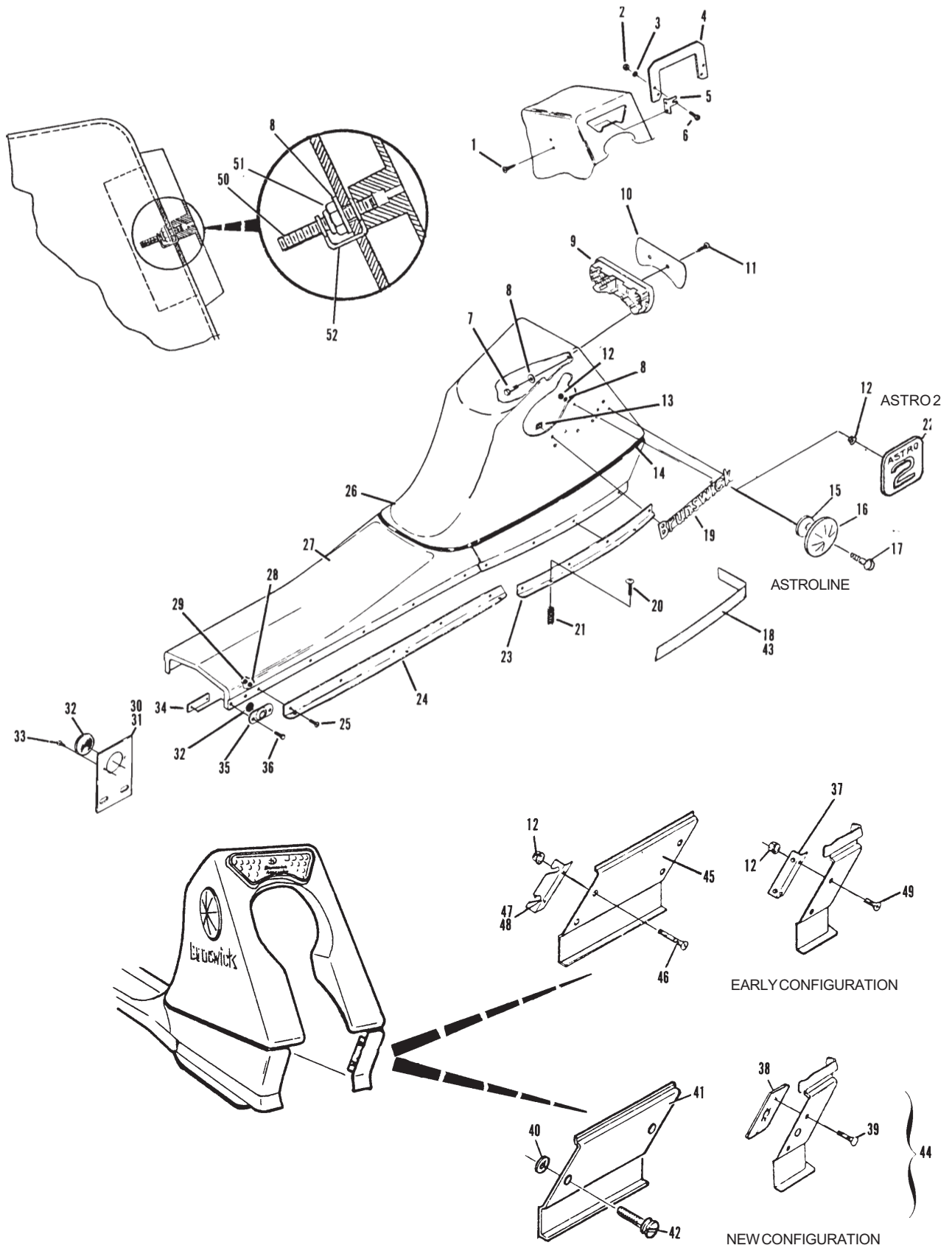
Subway Return Power Lift Hood

| Index | | | Index | | |
|-------|---------------|--|-------|----------------|---|
| No. | Part No. | Description | No. | Part No. | Description |
| 1. | N.A. | Self Tapping C.R. Flat Hd. Screw (#6 x 1/2") | 27. | N.A. | Rear Hood (Astroline Gray) |
| 2. | 11-170007-001 | Self Locking Nut (1/4-20) | 28. | N.A. | Rear Hood (Astro 2 Brown) |
| 3. | 11-190508-001 | Flat Washer | 29. | 11-190010-001 | Flat Washer (1/4) |
| 4. | N.A. | Hood Stabilizer | 30. | 11-170106-001 | Self Locking Nut (1/4-20) |
| 5. | N.A. | Mounting Bracket | 30. | 53-600074-000 | N.A. Reflector and Bracket Assembly |
| 6. | 11-001186-001 | Hex Hd. Cap Screw (1/4-20 x 1-1/4") | | 53-860299-000 | R.O. Upgrade to Tel-E-Foul Reflector Pkg. |
| 7. | 11-001058-001 | N.A. Hex Hd. Cap Screw (10-24 x 1/2") | 31. | 53-600073-000 | N.A. Bracket Only |
| 8. | 11-190006-001 | Flat Washer (#10) | 32. | 53-600101-000 | N.A. Reflector Only |
| 9. | N.A. | Bezel (Astroline Gray) | 33. | 11-024524-001 | N.A. C.R. T. Hd. Machine Screw w/Nylok (6-32 x 5/16") |
| | N.A. | Bezel (Astro 2 White) | 34. | N.A. | Twin Pilot Nut (8-32) |
| 10. | N.A. | Cover Glass | 35. | N.A. | Bracket Only |
| 11. | N.A. | C.R. Pan Hd. Machine Screw (8-32 x 3/8") | 36. | 11-024127-001 | C.R. T. Hd. Machine Screw (8-32 x 1/2") |
| 12. | 11-176006-001 | Keps Nut (10-24) | 37. | N.A. | Hood Bracket |
| 13. | N.A. | Push On Fastener | 38. | N.A. | Receptacle |
| 14. | N.A. | Black Plastic Tape (3/8") - Roll | 39. | N.A. | Pop Rivet (1/8) |
| | N.A. | Blue Plastic Tape (3/8") - Roll | 40. | N.A. | Retainer |
| | | | 41. | N.A. | Door Assembly (Astroline Gray) |
| 15. | 53-520078-003 | N.A. Shim | | N.A. | Door Assembly (Astro 2 Brown) |
| 16. | N.A. | Blue Emblem | 42. | N.A. | Screw Fastener |
| | N.A. | Yellow Emblem | 43. | *11-676027-000 | N.A. Cement (Pint)- to be used w/index number 18 |
| | N.A. | Orange Emblem | | 11-676047-000 | Cement (Gallon) |
| | N.A. | Green Emblem | 44. | N.A. | Door Modification Kit (Astroline Gray Only) |
| 17. | N.A. | Ribbed Neck Carriage Bolt (10-24 x 1-1/2") | 45. | N.A. | Fibreglass Door |
| 18. | N.A. | Base Moulding (Linear Feet) | 46. | 11-014082-001 | C.R. Flat Hd. Machine Screw (10-24 x 3/8") |
| 19. | N.A. | Name Plate (Astroline Gray) | 47. | N.A. | R.H. Door Bracket - Opposite |
| 20. | N.A. | C.R. T. Hd. Machine Screw w/Nylok (5/16-18 x 3/4") | 48. | N.A. | L.H. Door Bracket - Shown |
| 21. | N.A. | Taplok Insert (5/16-18) | 49. | N.A. | C.R. Flat Hd. Machine Screw (10-24 x 3/4") |
| 22. | N.A. | Astro 2 Emblem | 50. | N.A. | Set Screw (10-24 x 1-1/4") |
| 23. | N.A. | Mounting Bracket | 51. | 11-170104-001 | Self Locking Nut (10-24) |
| 24. | N.A. | L.H. Mounting Bracket - Shown | 52. | N.A. | Retainer Wire |
| | N.A. | R.H. Mounting Bracket - Opposite | | | |
| 25. | N.A. | C.R. Oval Hd. Machine Screw (1/4-20 x 3/4") | | | |
| 26. | N.A. | Front Hood (Astroline Gray) | | | |
| | N.A. | Front Hood (Astro 2 White and Brown) | | | |

N.A. = No Longer Available
R.O. = Replacement Option

* Not Illustrated

Concealed Surface Hood



Concealed Surface Hood

Index

| No. | Part No. | | Description |
|------------|-----------------|------|---|
| 1. | 53-400052-000 | N.A. | Player Control Station |
| 2. | 53-400053-000 | N.A. | Pinfall Display |
| 3. | *53-400009-XXX | | Throat Decorative Insert (Dark Gray w/Silver) |
| | 53-400009-229 | | Throat Decorative Insert (Graphite w/Silver) |
| 4. | 11-082703-001 | | Type "B" C.R. Pan Hd. Screw (#12-14 x 1/2") |
| 5. | 53-861034-002 | | Ball Return Hood Assembly (includes Item numbers 3 and 15) - SILVER |
| | 53-860937-000 | | Ball Return Hood Assembly (Gray) includes Item numbers 3 and 15 |
| 6. | 11-082683-001 | | Type "B" C.R. Pan Hd. Screw (#10-16 x 3/8") |
| 7. | *53-400048-xxx | | Side Logo Assembly |
| | 53-400048-227 | | Side Logo Assembly (Black) |
| 8. | 53-861035-000 | | Flange - Ball Lift Hood (includes index numbers 10, 9, and 16) |
| 9. | 11-690544-000 | | Knurled Captive Screw (1-1/2") |
| 10. | 11-081201-000 | | Robertson Flat Hd. Socket Screw (#10 x 1-1/2") |
| 11. | 11-001182-001 | | Hex Head Cap Screw (1/4-20 x 3/4") |
| 12. | 11-195014-001 | | Lockwasher (1/4") |
| 13. | 11-191010-001 | | Flat washer (1/4") |
| 14. | 53-861027-000 | N.A. | Throat - Ball Rack (Gray) |
| | 53-861039-001 | R.O. | Throat Pkg. (Dark Gray) |
| | 53-861039-003 | | Throat Pkg. (Graphite) |
| 15. | 53-400044-000 | | Hood Lip Trim |
| 16. | 11-690545-000 | | Captive Screw Retainer |
| 17. | *53-861090-XXX | | Color Kit - Ball Return includes item numbers 3 and 7. Also includes wear strip, ball rail extrusion and decal vent. - not illustrated. |
| | 53-861122-002 | | Color Kit (Graphite w/Silver) |
| | 53-861090-227 | | Color Kit (Dark Gray w/Silver) |
| 18. | 53-400092-000 | | Brunswick Side Logo Assembly (designed for Silver Hoods only) |
| 19. | 11-532001-009 | | Retaining Clip |

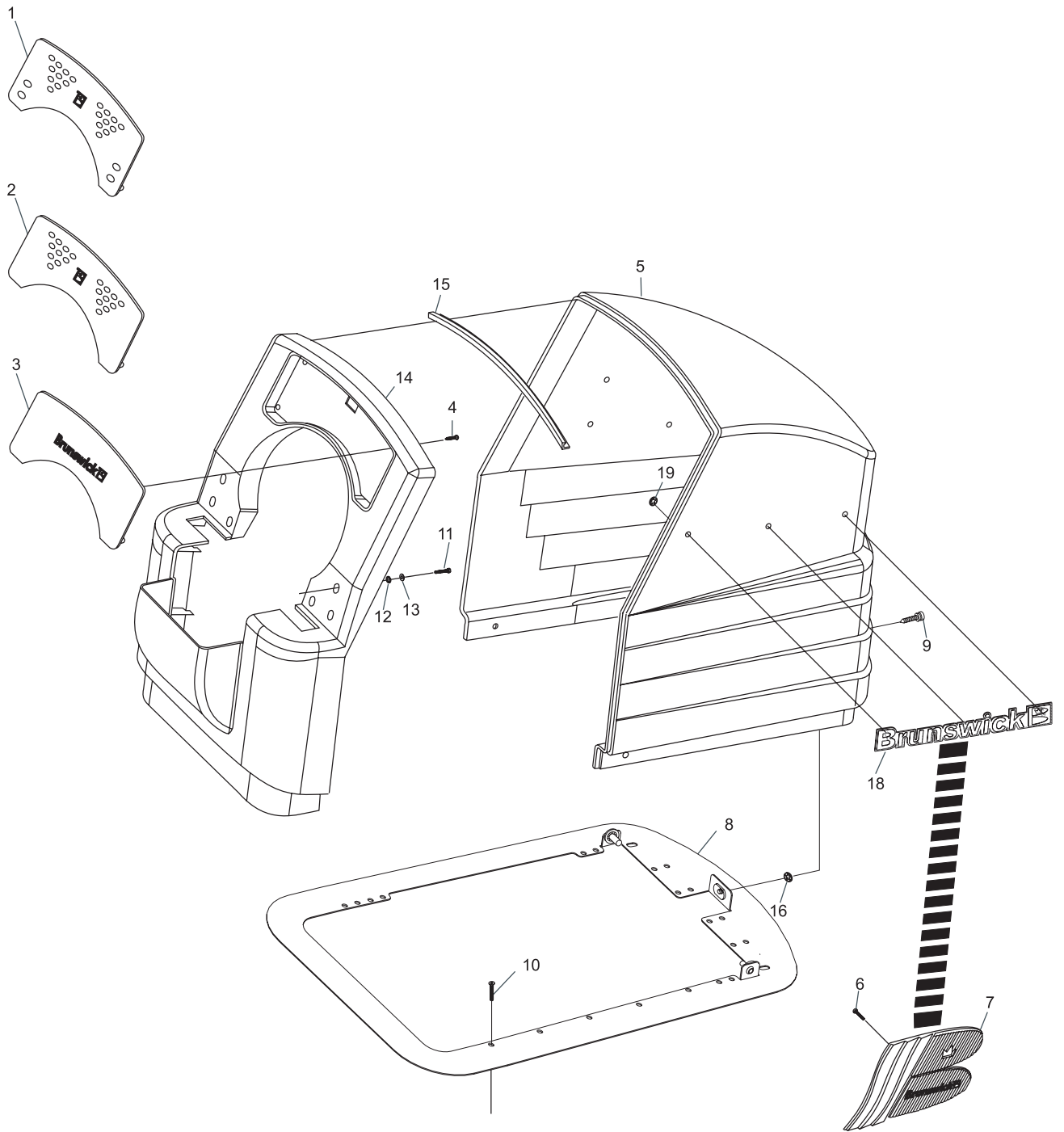
N.A. = No Longer Available

R.O. = Replacement Option

* Color Chart

| Part No. Suffix | Primary Color | Secondary Color |
|-----------------|---------------|------------------|
| -220 | BLUEBERRY | BANANA accent |
| -221 | KIWI | BLUEBERRY accent |
| -222 | CRANBERRY | BANANA accent |
| -223 | GRAPE | KIWI accent |
| -224 | BANANA | GRAPE accent |
| -225 | STRAWBERRY | BANANA accent |

Framework Hood



Framework Hood

Intentionally Blank Page