

Section M

POWER LIFTS

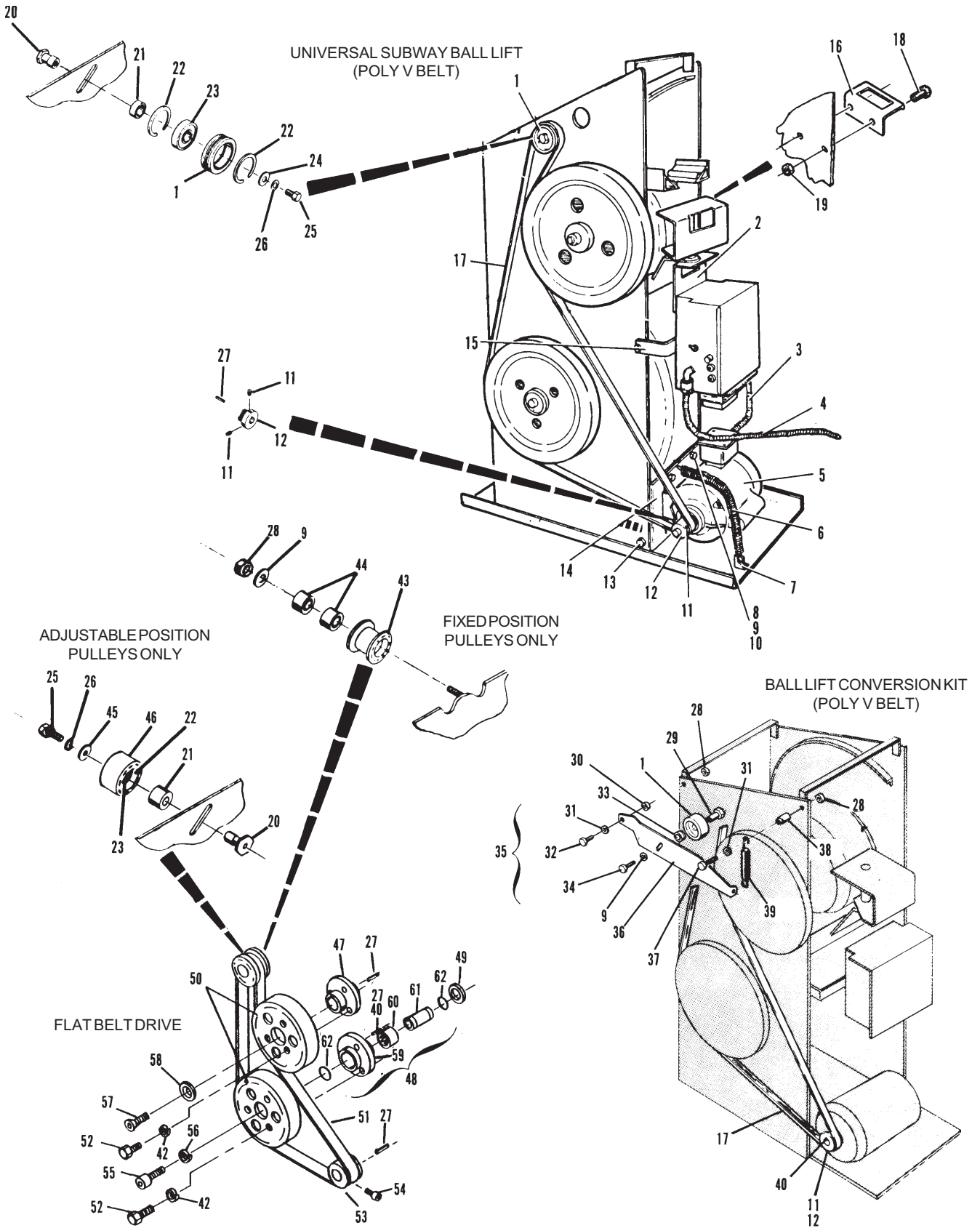
| Index | | | Index | | |
|-------|---------------|--|-------|----------------|---|
| No. | Part No. | Description | No. | Part No. | Description |
| 1. | 53-520244-000 | Poly V Idler Assembly | 32. | 11-001264-001 | Hex Hd. Cap Screw (5/16-18 x 1") |
| 2. | 53-520205-000 | N.A. Mounting Bracket | 33. | 53-520306-000 | Spacer |
| 3. | 53-520212-000 | Cable Assembly | 34. | 11-001909-001 | Hex Hd. Cap Screw (5/16-18 x 1") |
| 4. | 53-600149-000 | Wire Harness Assembly | 35. | 53-860431-000 | Poly V Conversion Kit |
| 5. | 53-860322-010 | Motor (1/4 H.P. 115/230 Volt 50/60 Hz) - See Note | 36. | 53-520300-000 | Idler Arm |
| | 53-860322-000 | N.A. Motor (1/4 H.P. 115/230 Volt 50/60 Hz) - See Note | 37. | 11-001270-001 | Hex Hd. Cap Screw (5/16-18 x 1-3/4") |
| 6. | 53-520234-000 | Tension Spring | 38. | 53-520304-000 | Spring Post |
| 7. | 53-520231-000 | Spring Anchor | 39. | 53-520301-000 | Tension Spring |
| 8. | 11-001262-001 | Hex Hd. Cap Screw (5/16-18 x 3/4") | 40. | 10-621058-000 | Square Key (3/16 x 3/16 x 1-5/16") |
| 9. | 11-190012-001 | Flat Washer (5/16) | 41. | N.A. | Motor Mount Conversion Kit - Not Illustrated (See Note) |
| 10. | 11-170108-001 | Self Locking Nut - Thin (5/16-18) | 42. | 11-195015-001 | Lockwasher (5/16) |
| 11. | 11-101202-001 | Set Screw (5/16-18 x 3/8") | 43. | 24-200775-000 | Idler Pulley (Model A) - Aluminum |
| 12. | 53-520159-000 | Poly V Sheave (1-5/8" Dia.) | | 24-204380-000 | N.A. Idler Pulley (Model A-2) - Nylon |
| | 53-520582-000 | Poly V Sheave (1" Dia.) | 44. | 11-430032-000 | Bearing |
| 13. | 10-003007-000 | Body Fit Hex Hd. Bolt (5/16-18 x 1-1/4") | 45. | 11-190014-001 | Flat Washer (3/8) |
| 14. | 53-520228-000 | Motor Support | 46. | *24-205125-000 | N.A. Idler Pulley Assembly |
| 15. | 53-520241-000 | N.A. Standoff Bracket | 47. | 53-520064-000 | Hub |
| 16. | N.A. | Mounting Bracket | 48. | 53-860555-000 | Clutch Assembly |
| 17. | 53-520235-000 | Poly V Belt | 49. | 53-520088-000 | Spacer |
| 18. | 11-001180-001 | Hex Hd. Cap Screw (1/4-20 x 5/8") | 50. | 53-520063-000 | Pulley |
| 19. | 11-170007-001 | Self Locking Nut (1/4-20) | 51. | 24-200947-000 | Flat Drive Belt |
| 20. | 53-520071-000 | Bearing Stud | 52. | 11-001258-001 | Hex Hd. Cap Screw (5/16-18 x 1/2") |
| 21. | 53-520072-000 | Spacer | 53. | *24-200773-000 | N.A. Motor Pulley (1-17/64" Dia.) - Model A |
| 22. | 11-530531-000 | Retaining Ring | | 24-204378-000 | Motor Pulley (1-29/32" Dia.) - Model A-2 |
| 23. | 11-430028-000 | Bearing | 54. | 15-600946-000 | N.A. Set Screw (10-32 x 1/2") |
| 24. | 11-190514-001 | Flat Washer | 55. | 11-005184-001 | Hex Socket Hd. Cap Screw (1/4-20 x 1") |
| 25. | 11-001342-001 | Hex Hd. Cap Screw (3/8-16 x 3/4") | 56. | 11-195014-001 | Lockwasher (1/4) |
| 26. | 11-195016-001 | Lockwasher (3/8) | 57. | 11-008148-001 | Flat Socket Hd. Cap Screw (1/4-20 x 3/4") |
| 27. | 10-620057-000 | Square Key (3/16 x 3/16 x 1-1/4") | 58. | 53-520069-000 | Retaining Washer |
| 28. | 11-170009-001 | Self Locking Nut (5/16-18) | 59. | 53-520422-000 | N.A. Outer Hub |
| 29. | 53-520302-000 | Bearing Stud | 60. | 11-500552-000 | Clutch and Bearing |
| 30. | 53-520303-000 | Spacer | 61. | 53-520421-000 | Inner Ring |
| 31. | 11-190529-001 | Flat Washer | 62. | 11-533019-000 | Retaining Ring |

N.A. = No Longer Available

NOTE: If your ball lift is equipped with a 1140 RPM motor, order 53-860322-010. If your ball lift is equipped with a 1725 RPM motor or was originally supplied with a flat belt drive, replacement options are no longer available. The new style motor will not fit on the old mouting plate.

* Can convert to Flat Belt Poly "V" with conversion kit 53-860431-000 index No. 35.

Universal Poly V Subway Ball Lift, Flat Belt Drive (A & A-2) & Conversion Kit



Universal Poly V Subway Ball Lift,
Flat Belt Drive (A & A-2) & Conversion Kit

| Index No. | Part No. | Description | Index No. | Part No. | Description |
|-----------|----------------|---|-----------|-----------------|--|
| 1. | N.A. | Wire Clip (5/8) | 41. | 11-195015-001 | Lockwasher (5/16) |
| 2. | 53-520243-000 | Spacer | 42. | 53-520060-000 | Tire and Rim Assembly |
| 3. | 11-170009-001 | Self Locking Nut (5/16-18) | 43. | 53-520066-000 | Shaft Assembly |
| 4. | N.A. | Transition Extrusion | 44. | 10-620057-000 | Square Key (3/16 x 3/16 x 1-1/4") |
| 5. | 53-520075-000 | N.A. Rubber and Plate Assy. | 45. | 11-430013-000 | Bearing |
| 6. | 11-001180-001 | Hex Hd. Cap Screw (1/4-20 x 5/8") | 46. | 53-520067-000 | Spacer |
| 7. | 11-170007-001 | Self Locking Nut (1/4-20) | 47. | 53-520068-000 | Housing |
| 8. | 10-621058-000 | Square Key (3/16 x 3/16 x 1-5/16") | 48. | 11-430042-000 | Bearing |
| 9. | 11-125202-001 | Hex Jam Nut (5/16-18) | 49. | 53-520069-000 | Retaining Washer |
| 10. | 11-001262-001 | Hex Hd. Cap Screw (5/16 -18 x 3/4") | 50. | 15-651243-000 | N.A. Retaining Ring |
| 11. | 11-605023-000 | N.A. Wire Clip (7/16) | 51. | 53-520088-000 | Spacer |
| 12. | 53-520085-000 | N.A. Coupling Assembly | 52. | 11-008148-001 | Hex Socket Hd. Cap Screw w/Nylok (1/4-20 x 3/4") |
| 13. | 53-520092-000 | N.A. Rubber Washer | 53. | 53-860555-000 | Clutch Assembly |
| 14. | 11-422021-000 | Thrust Bearing | 54. | 53-520063-000 | Pulley |
| 15. | 53-520091-000 | Rubber Sleeve (1-3/8" Dia. x 1/4" Thick) | 55. | 90-520060-000 | Urethane Ball Wheel |
| | N.A. | Rubber Sleeve (1-3/8" Dia. x 3/4" Thick) | 56. | 11-195014-001 | Lockwasher (1/4) |
| 16. | N.A. | Support Brace | 57. | 11-005184-001 | Hex Socket Hd. Cap Screw (1/4-20 x 1") |
| 17. | 53-520090-000 | N.A. Coupling Bushing (13/16" Dia. x 15/16" Long) | | 11-002005-001 | Heat Treated Hex Hd. Cap Screw (1/4-20 x 1-1/4") |
| | 24-200756-000 | Coupling Bushing (13/16" Dia. x 1-1/2" Long) | 58. | 11-001263-001 | Hex Hd. Cap Screw (5/16-18 x 7/8") |
| 18. | 53-520089-000 | Washer | 59. | 53-860322-010 | Motor (1/4 H.P. 115/230V 50/60 Hz) - See Note |
| 19. | 11-195020-001 | Lockwasher (5/8) | | 53-860322-000 | N.A. Motor (1/4 H.P. 115/230V 50/60 Hz) - See Note |
| 20. | 11-001674-001 | Hex Hd. Cap Screw (5/8-11 x 2-1/2") | 60. | 11-191012-001 | Flat Washer (5/16) |
| | N.A. | Hex Hd. Cap Screw (5/8-11 x 3") | 61. | 11-111459-000 | N.A. Stud Fastener (1/2-13) |
| 21. | 11-170011-001 | Self Locking Nut (3/8-16) | 62. | 53-520027-000 | Motor Sheave (2.25 O.D.) |
| 22. | 11-001344-001 | Hex Hd. Cap Screw (3/8-16 x 1") | 63. | 53-520049-000 | Motor Support |
| 23. | 11-195018-001 | Lockwasher (1/2) | | 53-860468-000 | N.A. Motor Support Conversion Kit (See Note) |
| 24. | N.A. | Flat Washer | 64. | 53-520064-000 | Hub |
| 25. | 11-111554-000 | N.A. Concrete Fastener (1/2-13) | 65. | 11-190530-001 | Flat Washer |
| 26. | 53-520078-002 | N.A. Shim (18 Ga.) | 66. | 11-002004-001 | Heat Treated Hex Hd. Cap Screw (1/4-20 x 1") |
| | 53-520078-003 | N.A. Shim (12 Ga.) | 67. | 53-520071-000 | Bearing Stud |
| 27. | 53-520032-000 | N.A. Base Plate Assembly | 68. | 53-520072-000 | Spacer |
| 28. | 11-001512-000 | Hex Hd. Cap Screw (1/2-13 x 2") | 69. | 11-530531-000 | Retaining Ring |
| 29. | N.A. | L.H. Side Plate Assembly | 70. | 11-430028-000 | Bearing |
| 30. | N.A. | R.H. Side Plate Assembly | 71. | 53-520025-000 | N.A. Idler Sheave Only |
| 31. | N.A. | Brace | | 53-520026-000 | R.O. Idler Assembly |
| 32. | 53-520146-002 | N.A. R.H. Track Assembly - Complete | 72. | 53-520026-000 | Idler Assembly |
| | 53-520678-000 | R.O. R.H. Track Assembly | 73. | 11-190514-001 | Flat Washer |
| 33. | 53-520146-003 | N.A. L.H. Track Assembly - Complete | 74. | 11-195016-001 | Lockwasher (3/8) |
| | 53-520679-000 | R.O. L.H. Track Assembly | 75. | 11-001342-001 | Hex Hd. Cap Screw (3/8-16 x 3/4") |
| 34. | 53-520171-000 | Rubber Track | 76. | **10-635317-000 | N.A. V-Belt |
| | N.A. | Cement (Quart) | 77. | 90-520171-000 | Urethane Ball Track Assembly (One Piece) |
| | *11-676047-000 | Cement (Gallon) | 78. | 11-001268-001 | Hex. Hd. Cap Screw (5/16-18 x 1-1/2") |
| 35. | 53-520172-000 | Leather Track | 79. | 11-505104-000 | N.A. Tolerance Ring |
| 36. | 53-520058-000 | N.A. Doubler | 80. | N.A. | Tolerance Ring |
| 37. | 53-520094-001 | Bracket | 81. | 11-533019-000 | Retaining Ring |
| 38. | 11-019654-001 | Sems Hex Hd. Machine Screw (10-32 x 1/2") | 82. | 53-520422-000 | N.A. Outer Hub |
| 39. | 11-155101-000 | Spline Nut (10-32) | 83. | 11-500552-000 | Clutch and Bearing |
| 40. | 11-001258-001 | Hex Hd. Cap Screw (5/16-18 x 1/2") | 84. | 53-520421-000 | Inner Ring |

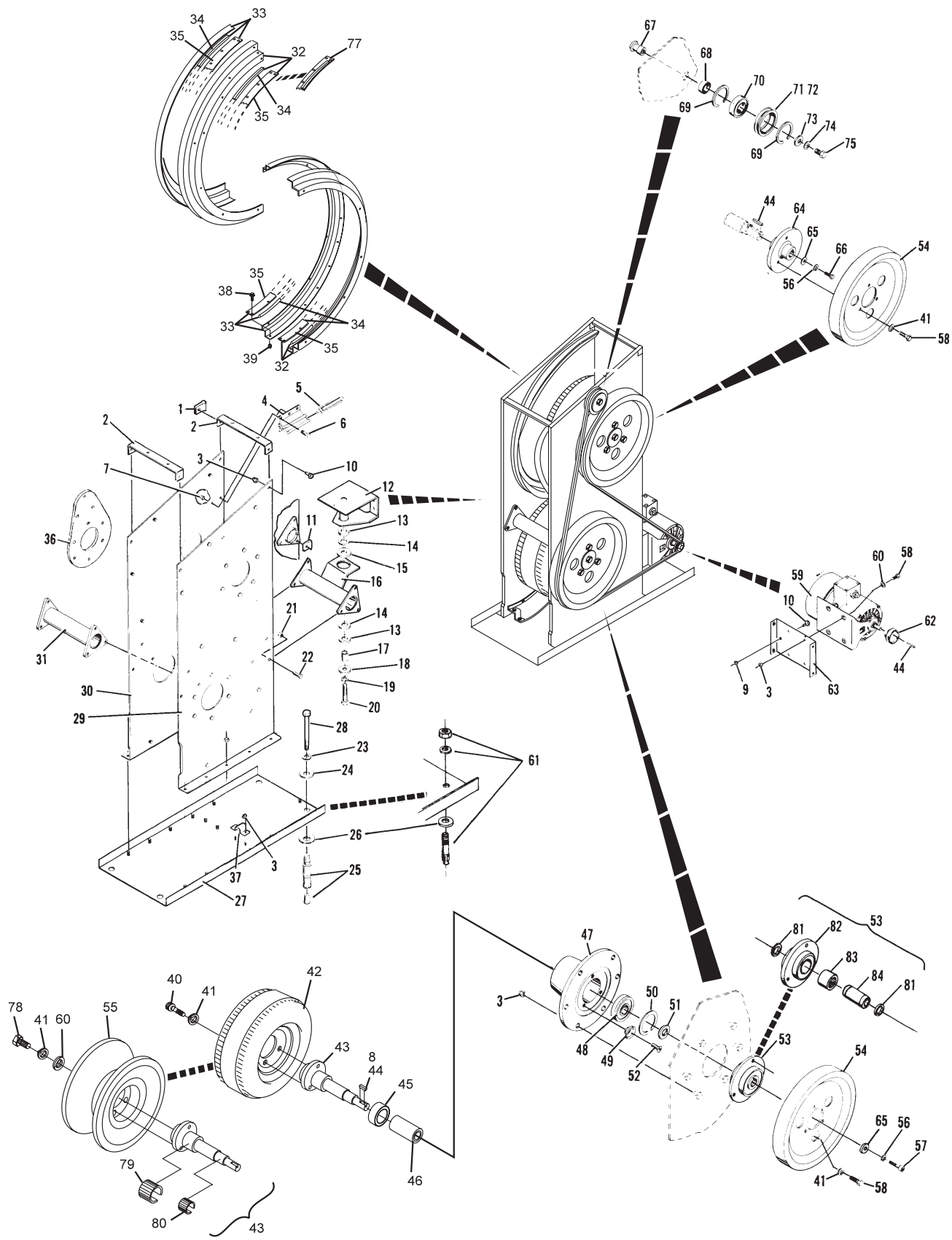
** Not Illustrated

N.A. = No Longer Available
R.O. = Replacement Option

* Use Index No. 34 cement to bond 53-520171-000 rubber track to metal track.

NOTE: If your ball lift is equipped with a 1140 RPM motor, order 53-860322-010. If your ball lift is equipped with a 1725 RPM motor or was originally supplied with a flat belt drive, replacement options are no longer available. The new style motor will not fit on the old mounting plate.

Subway Power Lift Assembly - "V" Belt



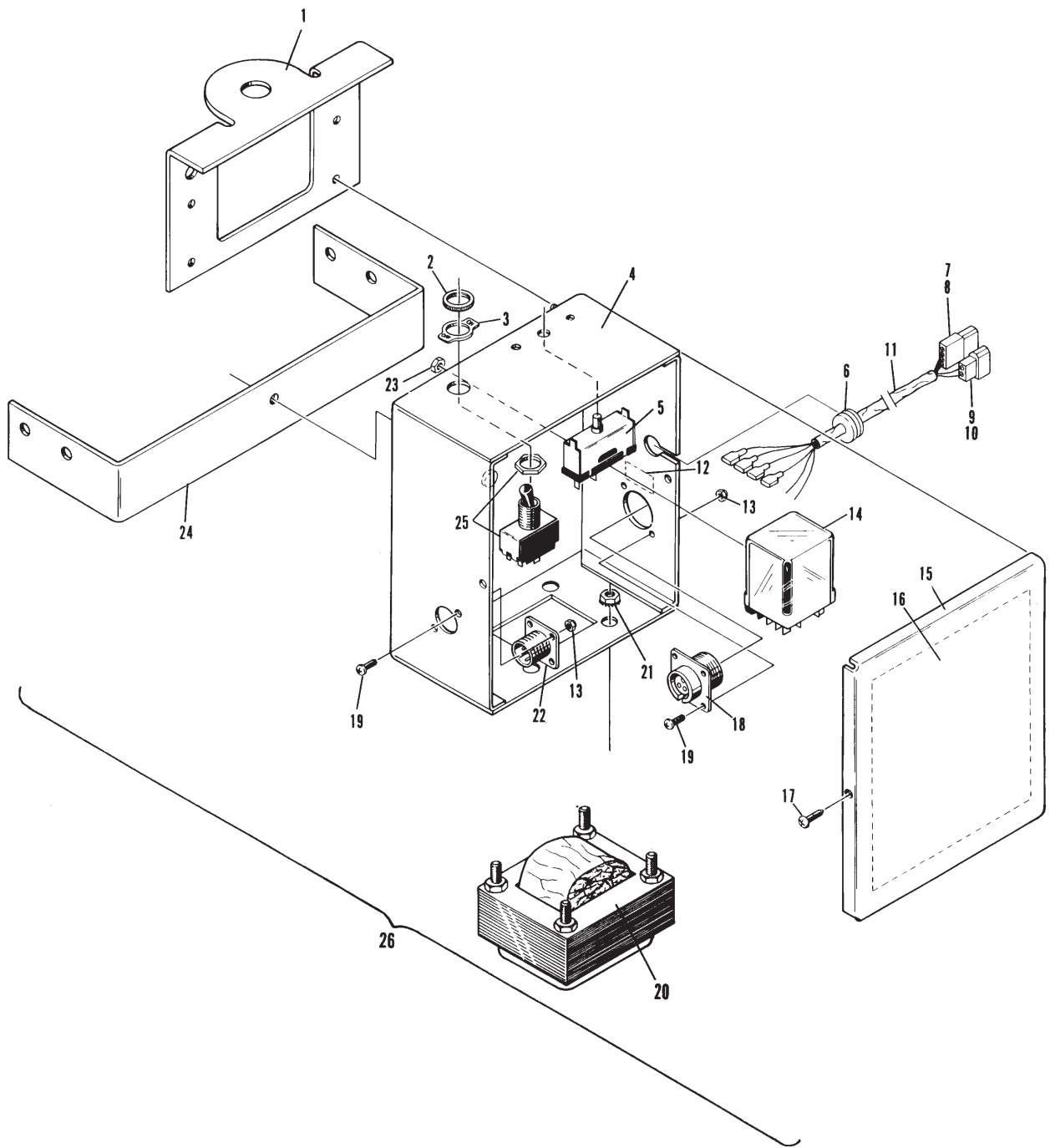
Subway Power Lift Assembly - "V" Belt

Index

| No. | Part No. | | Description |
|------------|-----------------|------|--|
| 1. | 53-520205-000 | N.A. | Mounting Bracket |
| 2. | 11-125360-001 | N.A. | Electrical Face Nut |
| 3. | 11-616602-000 | | Indicating Plate |
| 4. | N.A. | | Box Only |
| 5. | 11-685201-000 | | Circuit Breaker |
| 6. | 11-611015-000 | | Strain Relief |
| 7. | 11-680116-000 | | Connector (2 Contacts) |
| 8. | 11-680302-000 | | Terminal |
| 9. | 11-680217-000 | | Connector |
| 10. | 11-680301-000 | | Terminal |
| 11. | N.A. | | Control Box Cable Assembly |
| 12. | N.A. | | "Line" Decal |
| 13. | 11-170000-001 | | Self Locking Nut (#4-40) |
| 14. | 11-697103-000 | | Relay (24V) |
| 15. | 53-520598-000 | N.A. | Box Cover |
| 16. | N.A. | | Circuit Label |
| 17. | 11-082232-001 | | Truss Hd. Self Tapping Screw (#6 x 1/2") |
| 18. | 11-678905-000 | | Receptacle (3 Contacts) |
| 19. | 11-012253-001 | | C.R. Pan Hd. Machine Screw (#4-40 x 5/16") |
| 20. | 53-100322-000 | | Transformer Assembly |
| 21. | 11-176007-001 | | Keps Nut (#8-32) |
| 22. | 11-678903-000 | | Receptacle (3 Contacts) |
| 23. | 11-176005-001 | | Self Locking Nut - Thin (#6-32) |
| 24. | N.A. | | Standoff Bracket |
| 25. | 11-615502-000 | | Switch |
| 26. | 53-520600-091 | N.A. | Box Assembly - Complete (115V) |
| | N.A. | | Box Assembly - Complete (230V) |
| | 53-520600-093 | | Box Assembly - Complete (208V) |

N.A. = No Longer Available

**Ball Lift Control Box Assembly
For Pan Style Rack**

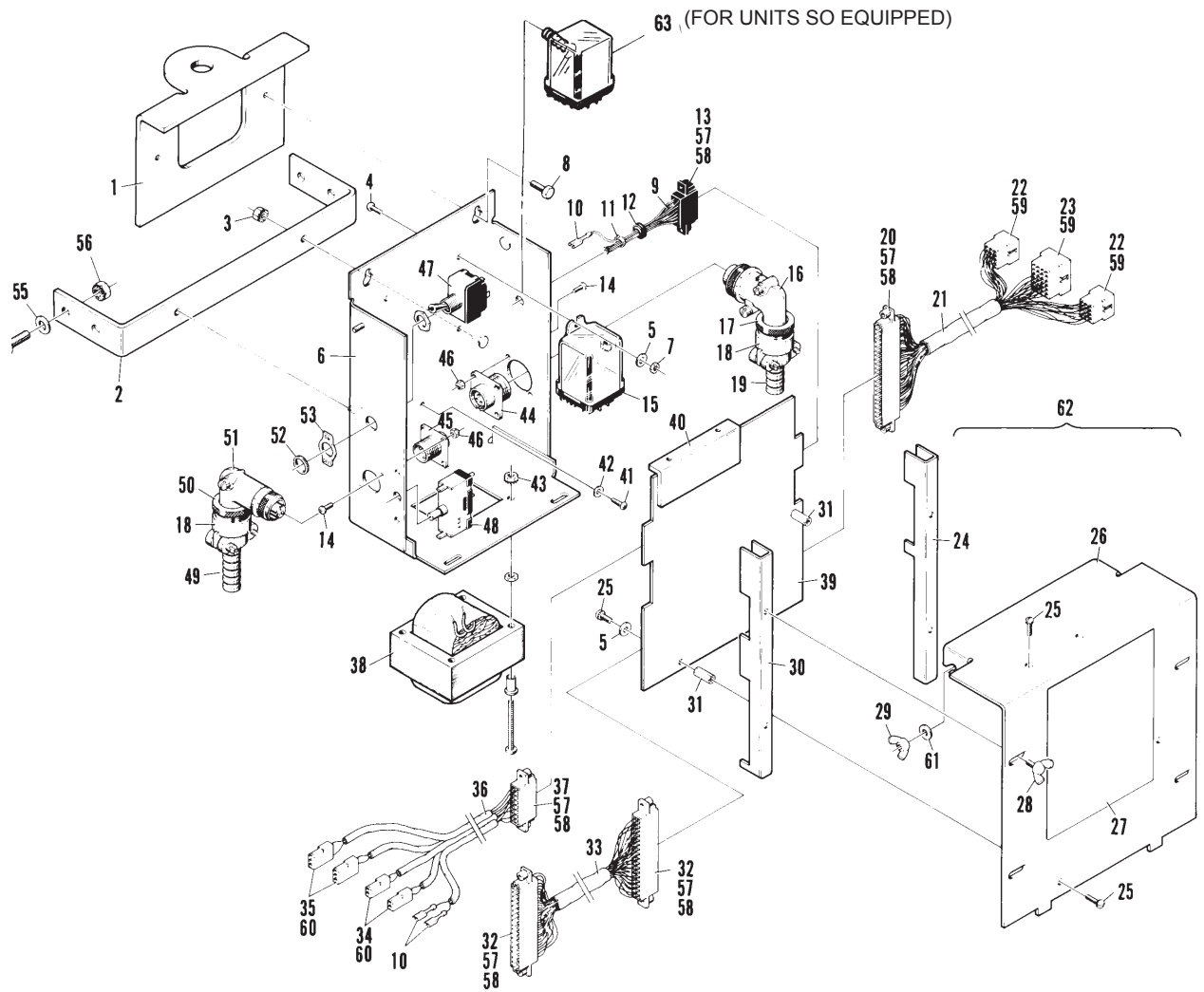


**Ball Lift Control Box Assembly
For Pan Style Rack**

| Index | | | Index | | |
|-------|---------------|---|-------|---------------|---|
| No. | Part No. | Description | No. | Part No. | Description |
| 1. | 53-520205-000 | N.A. Mounting Bracket | 33. | N.A. | Pinfall Display Cable Assembly |
| 2. | 53-520241-000 | N.A. Standoff Bracket | 34. | 11-680216-000 | Receptacle (2 Contacts) |
| 3. | 11-170004-001 | Self Locking Nut (8-32) | 35. | 11-680201-000 | Receptacle (3 Contacts) |
| 4. | 11-013021-001 | N.A. Sltd. Pan Hd. Machine Screw (6-32 x 5/16") | 36. | N.A. | Ball Rack Cable Assy. |
| 5. | 11-190002-001 | Flat Washer (#6) | 37. | 11-696803-000 | Edge Connector (8 Contacts) |
| 6. | 53-520500-091 | Control Box Assembly less Cover (115 V) | 38. | 53-100436-000 | Transformer Assembly (110 VAC to 24 VAC) |
| | N.A. | Control Box Assembly less Cover (230 V) | 39. | 53-860711-000 | N.A. PCB Assembly- Non-Latching Deck Switch |
| | N.A. | Box Only | | N.A. | PCB Assembly |
| 7. | N.A. | Self Locking Nut (6-32) | 40. | 53-520504-000 | Latching Deck Switch |
| 8. | N.A. | Hex Hd. Cap Screw (10-24 x 3/8") | 41. | N.A. | Logic Card MT Angle Self Tapping C.R. Rd. Hd. Screw (#6 x 3/8") |
| 9. | 53-520525-000 | Harness Assembly - Complete | 42. | 11-198001-001 | External Tooth Lockwasher (#6) |
| 10. | 11-612252-000 | N.A. Receptacle | 43. | 11-176007-001 | Keps Nut (8-32) |
| 11. | 11-603108-000 | N.A. Cable Tie (3-5/8") | 44. | 11-678905-000 | Receptacle (3 Contacts) |
| 12. | 11-651006-000 | N.A. Grommet (3/8) | 45. | 11-678903-000 | Receptacle (3 Contacts) |
| 13. | 11-696802-000 | Edge Connector (6 Contacts) | 46. | 11-170000-001 | Self Locking Nut (4-40) |
| 14. | 11-012253-001 | C.R. Pan Hd. Machine Screw (4-40 x 5/16") | 47. | 11-615502-000 | Toggle Switch |
| 15. | 11-697101-000 | Relay (24 V) | 48. | 11-685201-000 | Circuit Breaker |
| 16. | 11-678906-000 | N.A. 90° Angle Plug | 49. | 53-600149-000 | Power Cable Assembly |
| | 11-623001-000 | R.O. 90° Angle Plug | 50. | 32-201654-000 | Cable Clamp Adapter |
| 17. | N.A. | Cable Clamp Adapter | 51. | 11-678904-000 | 90° Angle Plug |
| 18. | 11-605128-000 | Cable Clamp | 52. | 11-125360-001 | N.A. Face Nut (15/32 -32) |
| 19. | 53-520212-000 | Motor Cable Assembly | 53. | 11-616602-000 | Indicating Plate (Off-On) |
| 20. | 11-696813-000 | N.A. Edge Connector (22 Contacts) | 54. | 11-001183-001 | Hex Hd. Cap Screw (1/4 -20 x 7/8") |
| 21. | N.A. | Lane Cable Assembly | 55. | 11-191010-001 | Flat Washer (1/4) |
| 22. | 11-680108-000 | N.A. Connector Plug (12 Contacts) | 56. | 11-170007-001 | Self Locking Nut (1/4-20) |
| 23. | 11-680112-000 | Connector Plug (24 Contacts) | 57. | 11-696926-000 | Terminal |
| 24. | 53-520503-002 | N.A. R.H. Clamp | 58. | 11-680425-000 | N.A. Connector Key |
| 25. | 11-017522-001 | N.A. Sems Sltd. Rd. Hd. Machine Screw (6-32 x 3/8") | 59. | 11-680302-000 | Terminal |
| 26. | 53-520502-000 | N.A. Cover Only | 60. | 11-680301-000 | Terminal |
| 27. | N.A. | Schematic Decal | 61. | 11-190004-001 | Flat Washer (#8) |
| 28. | 11-045053-001 | N.A. Thumb Screw (8-32) | 62. | N.A. | Control Box Cover Assy. (Latching Deck Switch) |
| 29. | 11-149028-001 | N.A. Wing Nut (8-32) | | N.A. | Control Box Cover Assy. (Non-Latching Deck Switch) |
| 30. | 53-520503-003 | N.A. L.H. Clamp | 63. | 11-697103-000 | Relay (24V) for units so equipped |
| 31. | 11-185304-000 | N.A. Hex Threaded Spacer (6-32 x 5/8") | | | |
| 32. | 11-696811-000 | N.A. Edge Connector (18 Contacts) | | | |

N.A. = No Longer Available
R.O. = Replacemnt Option

"2000" Ball Lift Control Box



“2000” Ball Lift Control Box

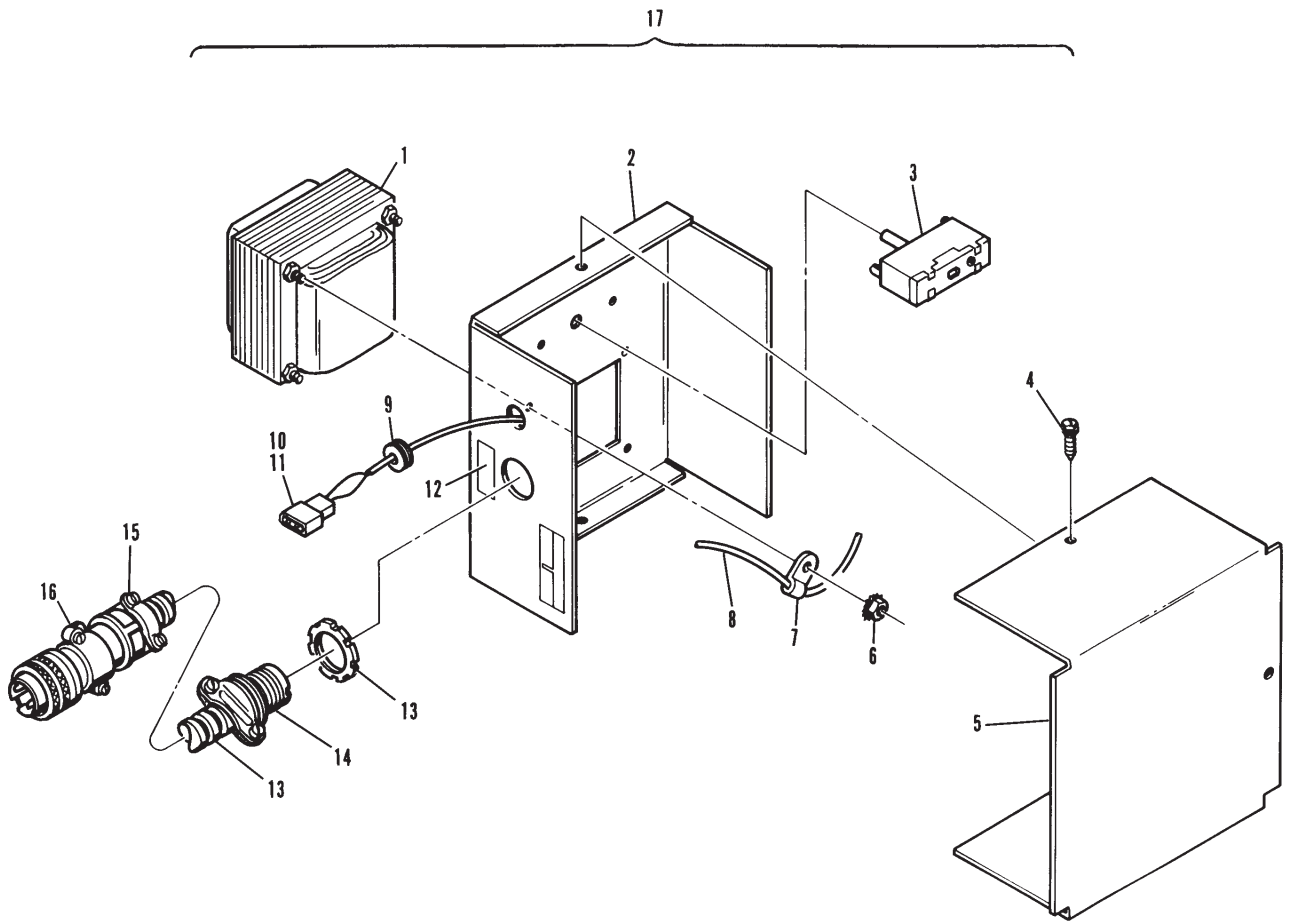
Index

| No. | Part No. | | Description |
|------------|-----------------|------|--|
| 1. | 53-100322-000 | | Transformer |
| 2. | N.A. | | Fan Conversion Cover |
| 3. | 11-685201-000 | | Circuit Breaker |
| 4. | N.A. | | Hex Washer Hd. Tapping Screw (#8 x 3/8") |
| 5. | N.A. | | Fan Conversion Box |
| 6. | 11-176007-001 | | Keps Nut (#8-32) |
| 7. | 11-604001-000 | | Cable Clamp |
| 8. | 53-520592-000 | N.A. | Fan Cable Assembly |
| 9. | 11-651009-000 | N.A. | Grommet (1/4") |
| 10. | 11-680302-000 | | Molex Terminal |
| 11. | 11-680116-000 | | Molex Receptacle |
| 12. | N.A. | | "Line" Decal |
| 13. | N.A. | | Cable Assembly |
| 14. | 11-602104-000 | N.A. | Box Connector |
| 15. | 11-605128-000 | | Cable Clamp |
| 16. | 11-678901-000 | | Connector Plug |
| 17. | 53-860687-000 | N.A. | Fan Conversion Box Assembly - Complete |

N.A. = No Longer Available

NOTE: To convert 115VAC to 24VAC order part number 53-860331-000
Signal adapter Kit.

Fan Conversion Box Assembly



Fan Conversion Box Assembly

Index

| No. | Part No. | Description |
|------------|-----------------|---|
| 1. | N.A. | Cover |
| 2. | 53-600149-000 | Wire Harness |
| 3. | N.A. | Fuse (3.2 Amp) |
| 4. | 11-605128-000 | Cable Clamp |
| 5. | 11-685013-000 | Fuse (5 Amp) |
| 6. | 32-201654-000 | Cable Clamp Adapter |
| 7. | N.A. | Insulating Sleeve |
| 8. | 11-678904-000 | 90° Connector Plug |
| 9. | 11-685021-000 | Fuse (2 Amp) |
| 10. | N.A. | Fuse Cap Only |
| 11. | 53-600056-000 | Fuseholder Assembly |
| 12. | N.A. | Decal |
| 13. | N.A. | Plug Button |
| 14. | 11-615502-000 | Toggle Switch |
| 15. | 11-616602-000 | Indicating Plate (On-Off) |
| 16. | N.A. | Control Box Only |
| 17. | N.A. | Self-Tapping C.R. Rd. Hd. Screw (#6 x 3/8") |
| 18. | 11-672600-000 | Relay (24V) |
| 19. | N.A. | Relay Socket (1/8" Wide Contact) |
| | N.A. | Relay Socket (3/16" Wide Contact) |
| 20. | N.A. | Control Box Assembly - Complete |
| 21. | N.A. | C.R. Rd. Hd. Machine Screw (4-40 x 5/8") |
| 22. | 11-170004-001 | Self-Locking Nut (#8-32) |
| 23. | N.A. | Bridge Rectifier |
| 24. | 11-190004-001 | Flat Washer (#8) |
| 25. | 11-018003-001 | C.R. Rd. Hd. Machine Screw (4-40 x 5/16") |
| 26. | 11-012253-001 | C.R. Pan Hd. Machine Screw (4-40 x 5/16") |
| 27. | 11-170000-001 | Self Locking Nut (4-40) |
| 28. | 11-678905-000 | Receptacle (3 Contacts) |
| 29. | 11-680108-000 | N.A. Connector Plug (12 Contacts) |
| 30. | 53-520212-000 | Cable Assembly |
| 31. | N.A. | Cable Clamp Adapter |
| 32. | 11-678906-000 | N.A. 90° Angle Plug |
| 33. | 11-176007-001 | Keys Nut (8-32) |
| 34. | N.A. | Connector Plug (15 Contacts) |
| 35. | N.A. | Transformer |
| 36. | 11-678903-000 | Receptacle (3 Contacts) |
| 37. | N.A. | Fuseholder (3.6 to 5 Amps) |
| 38. | N.A. | Fuseholder (2.5 to 3.5 Amps) |
| 39. | 53-600119-002 | N.A. Plug Assembly (110 VAC, 50/60 Hz) |
| | N.A. | Plug Assembly (115 VAC, 50/60 Hz) |
| | 53-600119-004 | N.A. Plug Assembly (200 VAC, 50/60 Hz) |
| | 53-600119-005 | N.A. Plug Assembly (250 VAC, 50/60 Hz) |

N.A. = No Longer Available

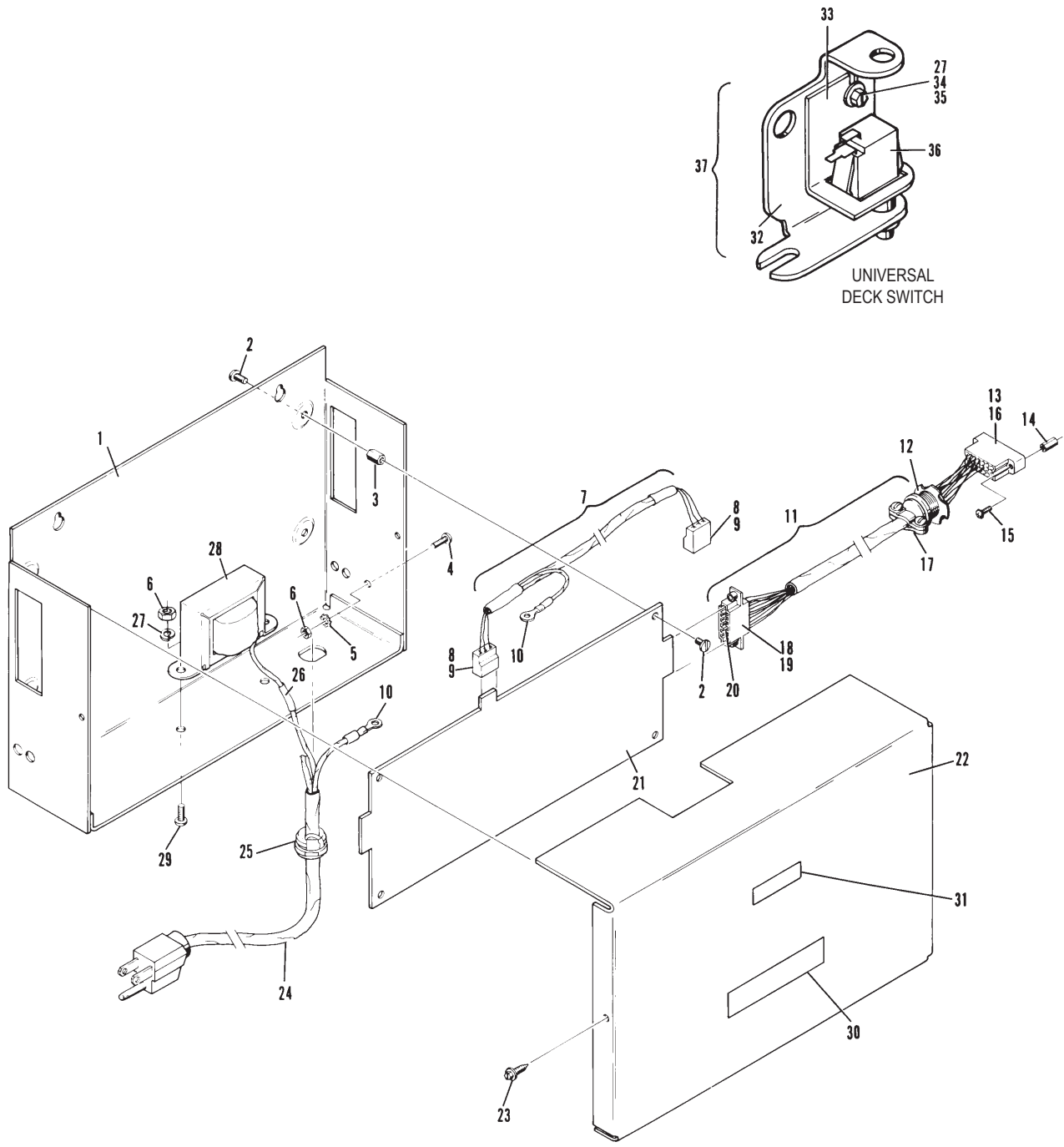
Power Lift Control Box AMF Adapter

Index

| No. | Part No. | | Description |
|------------|-----------------|------|---|
| 1. | N.A. | | Box Only |
| 2. | 11-013056-001 | N.A. | Sltd. Pan Hd. Machine Screw (8-32 x 1/4") |
| 3. | N.A. | | Standoff |
| 4. | N.A. | | Sltd. Rd. Hd. Machine Screw (8-32 x 5/8") |
| 5. | 11-198002-001 | | External Tooth Lockwasher (#8) |
| 6. | 11-125003-001 | | Hex Nut (8-32) |
| 7. | N.A. | | Pinfinder Display to Pin Display Acquisition Cable Assembly |
| 8. | 11-697262-000 | N.A. | Edge Connector (3 Circuits) |
| 9. | 11-697288-000 | N.A. | Contact |
| 10. | N.A. | | Connector |
| 11. | 53-520609-000 | N.A. | Deck Switch Cable Assembly |
| 12. | 11-602002-001 | N.A. | Electrical Locknut (1/2) |
| 13. | 11-678701-000 | N.A. | Connector (20 Contacts) |
| 14. | N.A. | | Guide Pin |
| 15. | N.A. | | Sems C.R. Rd. Hd. Machine Screw (4-40 x 5/16") |
| 16. | N.A. | | Contact |
| 17. | 11-602101-000 | N.A. | Cord Grip |
| 18. | 11-696802-000 | | Edge Connector (6 contacts) |
| 19. | 11-696926-000 | | Terminal |
| 20. | 11-680425-000 | N.A. | Connector Key |
| 21. | 53-860712-000 | N.A. | Pin Display Acquisition PCB Assembly |
| 22. | 53-520612-000 | N.A. | Cover |
| 23. | N.A. | | Self Tapping Hex Hd. Washer Screw (#8 x 3/8") |
| 24. | N.A. | | Power Cord Assembly |
| 25. | 11-611016-000 | N.A. | Strain Relief Bushing |
| 26. | 11-612451-000 | N.A. | Splice |
| 27. | 11-195008-001 | | Lockwasher (#8) |
| 28. | 53-520610-000 | N.A. | Transformer Assembly |
| 29. | 11-107064-001 | | Sltd. Rd. Hd. Machine Screw (8-32 x 3/8") |
| 30. | N.A. | | F.C.C. Class A Label |
| 31. | N.A. | | Decal - "Do Not Remove" |
| 32. | N.A. | | Mounting Bracket Assembly |
| 33. | N.A. | | Switch Bracket |
| 34. | 11-010060-001 | | Sltd. Rd. Hd. Machine Screw (8-32 x 1/2") |
| 35. | 11-190004-001 | | Flat Washer (#8) |
| 36. | 11-674992-000 | | Switch |
| 37. | N.A. | | Deck Switch Assembly - Complete |

N.A. = No Longer Available

**"2000" Universal Pin Display
Acquisition Box & Deck Switch Assemblies**



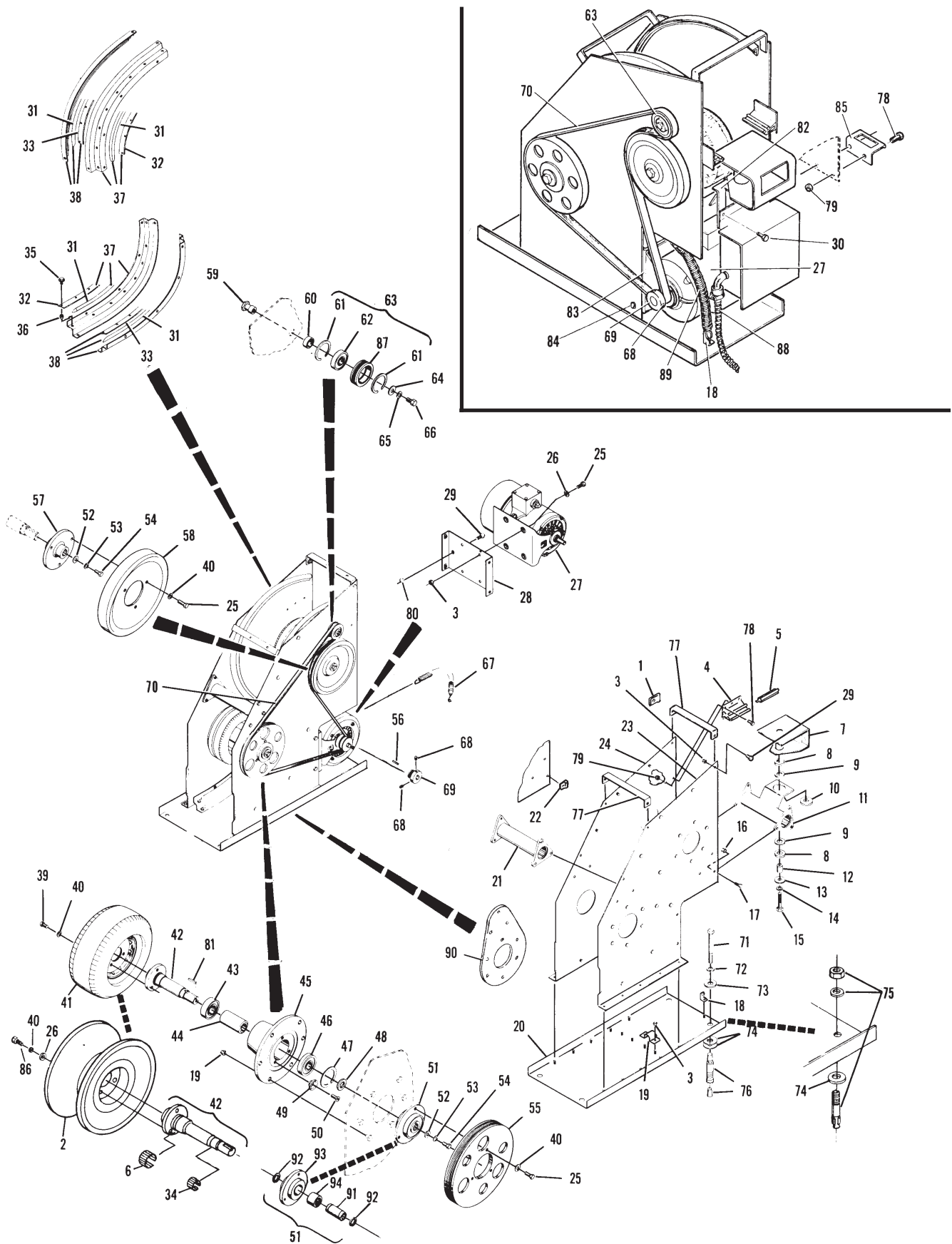
**“2000” Universal Pin Display
Acquisition Box & Deck Switch Assemblies**

| Index No. | Part No. | Description | Index No. | Part No. | Description |
|-----------|----------------|---|-----------|---------------|---|
| 1. | N.A. | Wire Clip (5/8) | 46. | 11-430042-000 | Bearing |
| 2. | 90-520060-000 | Urethane Ball Wheel | 47. | N.A. | Retaining Ring |
| 3. | 11-170009-001 | Self Locking Nut (5/16-18) | 48. | 53-520088-000 | Spacer |
| 4. | 53-520073-000 | Transition Extrusion | 49. | 53-520069-000 | Retaining Washer |
| 5. | 53-520075-000 | N.A. Rubber and Plate Assy. | 50. | 11-008148-001 | Flat Hd. Socket Cap Screw w/Nylok (1/4-20 x 3/4") |
| 6. | N.A. | Tolerance Ring | 51. | 53-860555-000 | Clutch Assembly |
| 7. | 53-520085-000 | N.A. Coupling | 52. | 11-190530-001 | Flat Washer |
| 8. | 53-520092-000 | N.A. Rubber Washer | 53. | 11-195014-001 | Lockwasher (1/4) |
| 9. | 11-422021-000 | Thrust Bearing | 54. | 11-002003-001 | N.A. Heat Treated Hex Hd. Cap Screw (1/4-20 x 7/8") |
| 10. | 53-520091-000 | Rubber Sleeve (1-38" Dia. x 1/4" Thick) | | 11-002005-001 | Heat Treated Hex Hd. Cap Screw (1/4-20 x 1-1/4") |
| 11. | N.A. | Support Brace | 55. | N.A. | Poly V Pulley |
| 12. | 53-520090-000 | N.A. Coupling Bushing (13/16" Dia. x 15/16" Long) | 56. | 10-620057-000 | Square Key (3/16 x 3/16 x 1-1/4") |
| 13. | 53-520089-000 | Washer | 57. | 53-520064-000 | Hub |
| 14. | 11-195020-001 | Lockwasher (5/8) | 58. | 53-520162-000 | N.A. Flat Pulley |
| 15. | 11-001674-001 | Hex Hd. Cap Screw (5/8"-11 x 2-1/2") | 59. | 53-520071-000 | Bearing Stud |
| 16. | 11-170011-001 | Self Locking Nut (3/8-16) | 60. | 53-520072-000 | Spacer |
| 17. | 11-001344-001 | Hex Hd. Cap Screw (3/8-16 x 1") | 61. | 11-530531-000 | Retaining Ring |
| 18. | 53-520231-000 | Spring Anchor | 62. | 11-430028-000 | Bearing |
| 19. | 53-520094-001 | Bracket | 63. | 53-520244-000 | Poly V Idler Pulley Assembly |
| 20. | 53-520032-000 | N.A. Base Plate Assembly | 64. | 11-190514-001 | Flat Washer |
| 21. | N.A. | Brace | 65. | 11-195016-001 | Lockwasher (3/8) |
| 22. | 11-605023-000 | Wire Clip (7/16) | 66. | 11-001342-001 | Hex Hd. Cap Screw (3/8-16 x 3/4") |
| 23. | N.A. | R.H. Side Plate Assy. | 67. | 12-100230-000 | Tension Spring |
| 24. | N.A. | L.H. Side Plate Assy. | 68. | 11-101202-001 | Set Screw (5/16-18 x 3/8") |
| 25. | 11-001263-001 | Hex Hd. Cap Screw (5/16-18 x 7/8") | 69. | 53-520159-000 | Motor Sheave |
| 26. | 11-191012-001 | Flat Washer (5/16) | 70. | 53-520148-002 | Poly V Belt |
| 27. | 53-860322-010 | Motor (1/4 H.P. 115/230V 50/60 Hz) | 71. | 11-001512-000 | Hex Hd. Cap Screw (1/2-13 x 2") |
| 28. | 53-520049-000 | Motor Support | 72. | 11-195018-001 | Lockwasher (1/2) |
| 29. | 11-001262-001 | Hex Hd. Cap Screw (5/16-18 x 3/4") | 73. | N.A. | Flat Washer |
| 30. | 11-001056-001 | N.A. Hex Hd. Cap Screw (10-24 x 3/8") | 74. | 53-520078-002 | Shim (18 Ga.) |
| 31. | 53-520040-000 | Rubber Track | 75. | 11-111459-000 | N.A. Shim (12 Ga.) |
| | N.A. | Cement (Quart) | 76. | 11-111554-000 | N.A. Stud Fastener (1/2-13) |
| | *11-676047-000 | Cement (Gallon) | 77. | 53-520243-000 | N.A. Concrete Fastener (1/2-13) |
| 32. | 53-520042-002 | Track Leather - R.H. Bottom and L.H. Top | 78. | 11-001180-001 | Spacer |
| 33. | 53-520042-003 | Track Leather - L.H. Bottom and R.H. Top | 79. | 11-170007-001 | Hex Hd. Cap Screw (1/4-20 x 5/8") |
| 34. | N.A. | Tolerance Ring | 80. | 11-125202-001 | Self Locking Nut (1/4-20) |
| 35. | 11-019654-001 | Sems Hex Hd. Machine Screw (10-32 x 1/2") | 81. | 10-621058-000 | Hex Jam Nut (5/16-18) |
| 36. | 11-155101-000 | Spline Nut (10-32) | 82. | 53-520205-000 | Square Key (3/16 x 3/16 x 1-5/16") |
| 37. | 53-520034-000 | N.A. Track Assembly - Complete (R.H. Bottom and L.H. Top) | 83. | 53-520228-000 | N.A. Mounting Bracket |
| 38. | 53-520035-000 | N.A. Track Assembly - Complete (L.H. Bottom and R.H. Top) | 84. | 10-003007-000 | Motor Support |
| 39. | 11-001258-001 | Hex Hd. Cap Screw (5/16-18 x 1/2") | 85. | N.A. | Hex Hd. Body Fit Bolt (5/16-18 x 1-1/4") |
| 40. | 11-195015-001 | Lockwasher (5/16) | 86. | 11-001268-001 | Mounting Bracket |
| 41. | 53-520060-000 | Tire and Rim Assembly | 87. | 53-520245-000 | Hex Hd. Cap Screw (5/16-18 x 1-1/2") |
| 42. | 53-520066-000 | Shaft Assembly | 88. | 53-600149-000 | Poly V Idler Pulley Only |
| 43. | 11-430013-000 | Bearing | 89. | 53-520234-000 | Wire Harness Assembly |
| 44. | 53-520067-000 | Spacer | 90. | 53-520058-000 | Tension Spring |
| 45. | 53-520068-000 | Housing | 91. | 53-520421-000 | N.A. Doubler |
| | | | 92. | 11-533019-000 | Inner Ring |
| | | | 93. | 53-520422-000 | Retaining Ring |
| | | | 94. | 11-500552-000 | N.A. Outer Hub |
| | | | | | Clutch and Bearing |

N.A. = No Longer Available

* Used to bond Index No. 31 to Index Nos. 37 and 38.

Concealed Surface Power Lift Assembly



Concealed Surface Power Lift Assembly

Index

| No. | Part No. | Description |
|-----|-----------------|--|
| 1. | 53-520234-000 | Tension Spring |
| 2. | 53-520678-000 | R.H. Ball Lift Track Assembly (upper and lower) |
| | *53-520679-000 | L.H. Ball Lift Track Assembly (upper and lower) |
| 3. | 11-170009-001 | Hex Hd. Nut, Self Locking, (5/16-18) |
| 4. | 53-520675-000 | N.A. Ball Lift Weldment Assembly |
| 5. | 53-520663-001 | Lower Pulley w/Bearing Assembly |
| 6. | 53-520235-000 | "V" Belt |
| 7. | 53-520658-000 | Ball Lift Upper Pulley |
| 8. | 53-520685-000 | Ball Lift Bearing Housing |
| 9. | 10-620057-000 | Square Key (3/16 x 3/16 x 1-1/4) |
| 10. | 53-520060-000 | Tire and Rim Assembly |
| 11. | 11-195015-001 | Lockwasher (5/16") |
| 12. | 11-001258-001 | Hex Hd. Cap Screw, (5/16-18 x 1/2") |
| 13. | 11-170007-001 | Self-Locking Hex Nut (1/4-20) |
| 14. | 53-520073-000 | Ball Transition Assembly |
| 15. | 11-001180-001 | Hex Hd. Cap Screw, (1/4-20 x 5/8") |
| 16. | 53-520071-000 | Bearing Stud |
| 17. | 53-520072-000 | Spacer |
| 18. | 53-520244-000 | Idler Assembly |
| 19. | 11-190014-001 | Flat Washer (3/8") |
| 20. | 11-195016-001 | Lock washer (3/8") |
| 21. | 11-001342-001 | Hex Head Cap Screw (3/8-16 x 3/4") |
| 22. | 11-190530-001 | Flat Washer (9/32") |
| 23. | 11-195014-001 | Lockwasher (1/4") |
| 24. | 11-002004-001 | Hex Hd. Cap Screw (1/4-20 x 1") |
| 25. | **53-860325-000 | N.A. Motor/Mount Bracket/Power Bracket Assembly |
| | 53-860328-000 | R.O. Ball lift Motor 115/230V 1/4 HP 1725 Pkg. |
| 26. | 11-002066-001 | Hex Hd. Cap Screw (5/16-18 x 1-1/2") |
| 27. | 11-533019-000 | Retaining Ring |
| 28. | 53-520421-000 | Inner Ring |
| 29. | 53-520172-000 | Leather Track |
| 30. | 53-520686-000 | Rubber Track |
| 31. | 11-190006-001 | Flat Washer (#10) |
| 32. | 11-081206-000 | Truss Hd. Robertson Screw (10-24 x 5/8") |
| 33. | 53-520532-001 | N.A. Poly V Sheave (1" Dia.) |
| 34. | 90-520172-600 | Frameworkx Urethane Track - includes one L.H. and one R.H. Track |
| 35. | 90-520075-600 | Transition Track Advanced Performance |

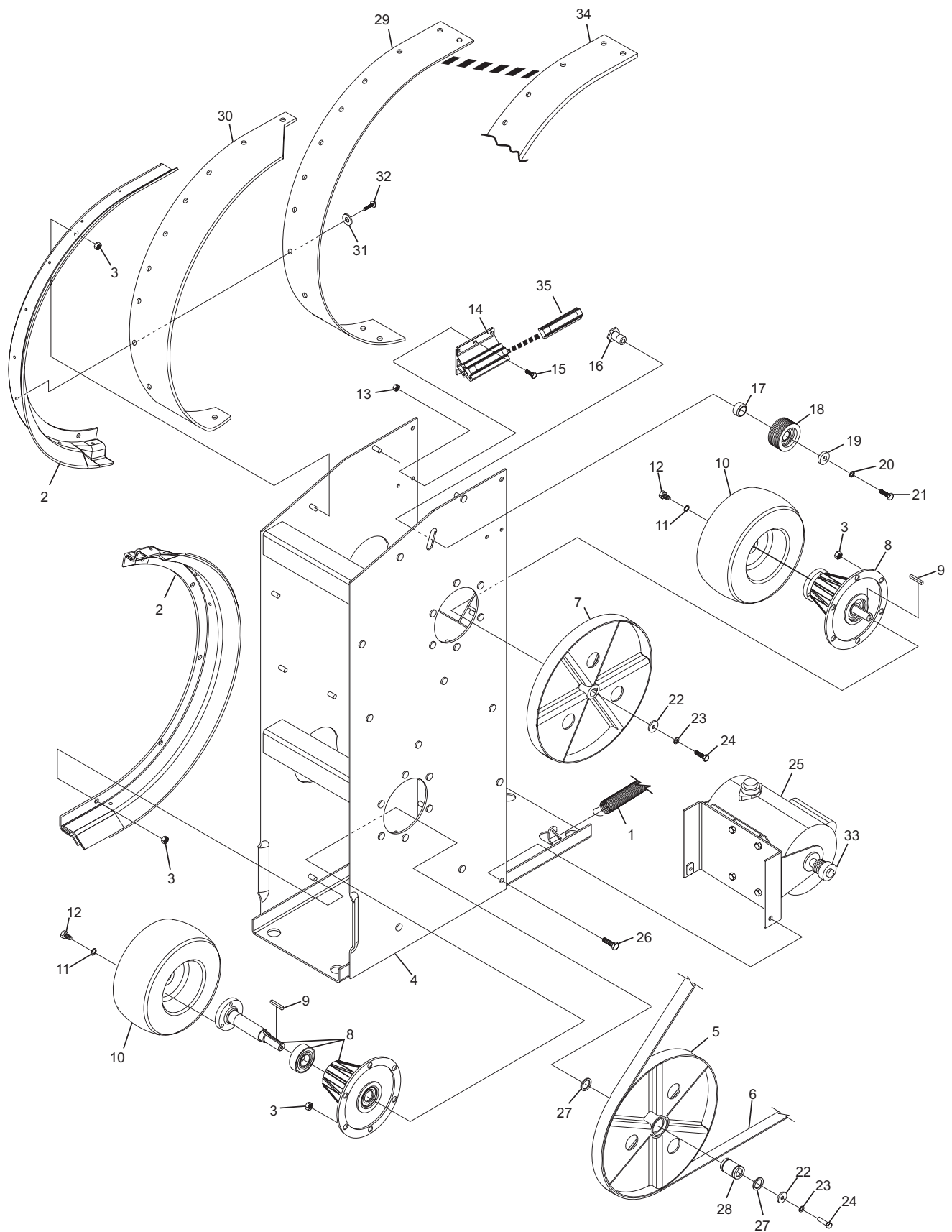
N.A. = No Longer Available

R.O. = Replacment Option

* Not Illustrated

** When using with B2000 Lift Mounting Plate 53-520671-000.

Frameworkx Ball Lift



Frameworx Ball Lift

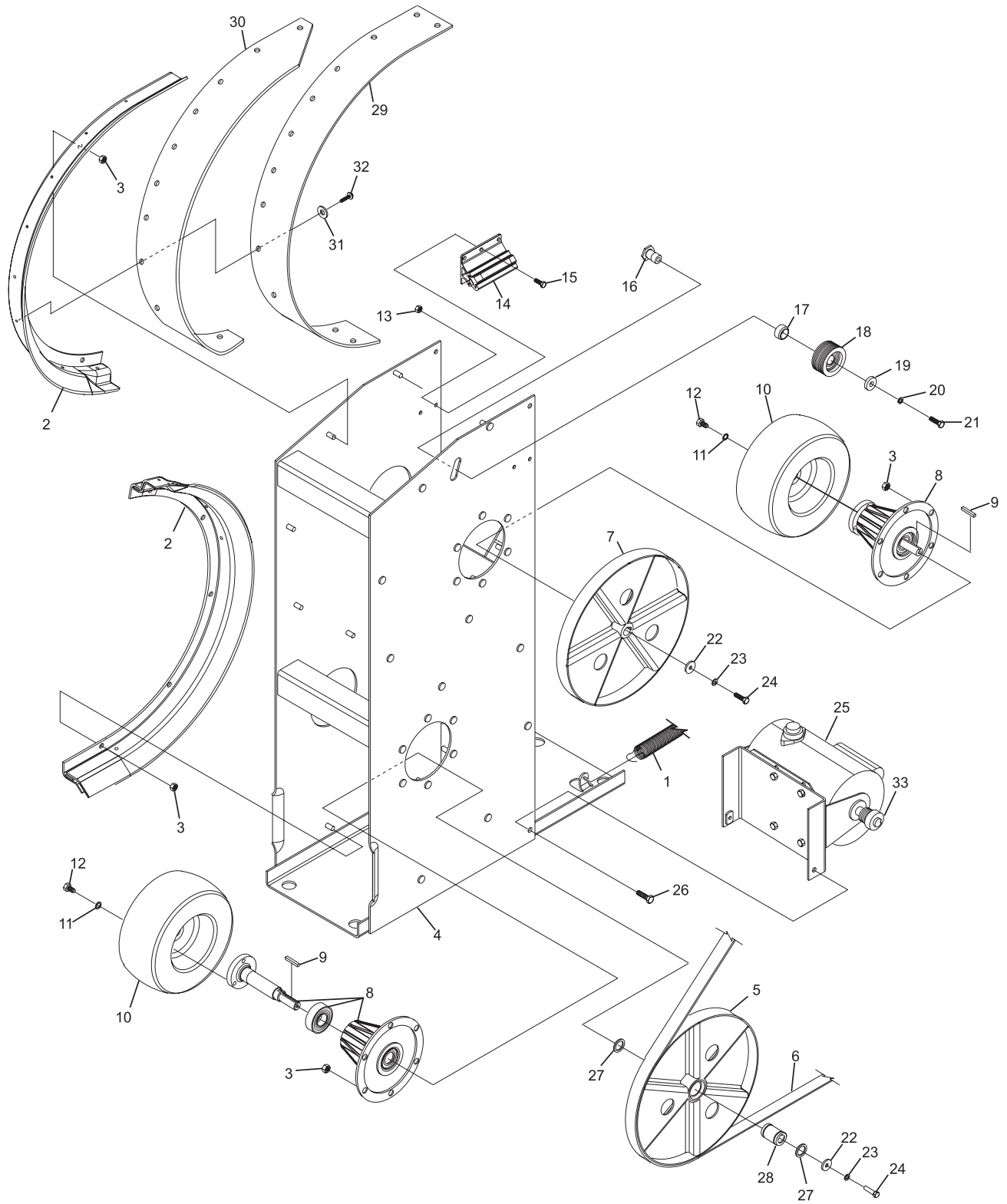
Index

| No. | Part No. | Description |
|------------|-----------------|--|
| 1. | 53-520234-000 | Tension Spring |
| 2. | 53-520678-002 | N.A. R.H. Ball Lift Track Assembly (upper and lower) |
| | *53-520679-002 | N.A. L.H. Ball Lift Track Assembly (upper and lower) |
| 3. | 11-051744-001 | Locknut (M8) |
| 4. | 53-520675-001 | N.A. Ball Lift Weldment Assembly |
| 5. | 53-520663-001 | Lower Pulley w/Bearing Assembly |
| 6. | 53-520230-002 | N.A. "V" Belt |
| | 53-520235-000 | R.O. Poly "V" Belt |
| | 53-520235-000 | Belt (generic) |
| 7. | 53-520658-000 | Ball Lift Upper Pulley |
| 8. | 53-520685-000 | Ball Lift Bearing Housing |
| 9. | 10-620057-000 | Square Key |
| 10. | 53-520060-000 | Tire and Rim Assembly |
| 11. | 11-051770-001 | Lockwasher (8mm) |
| 12. | 11-051043-001 | Hex Hd. Cap Screw (M8 x 12 mm) |
| 13. | 11-051743-001 | Self-Locking Hex Nut (6mm) |
| 14. | 53-520073-000 | Ball Transition Assembly |
| 15. | 11-051035-001 | Hex Hd. Cap Screw (M6 x 16 mm) |
| 16. | 53-520071-001 | N.A. Bearing Stud |
| 17. | 53-520072-000 | Spacer |
| 18. | 53-520244-001 | N.A. Idler Assembly |
| 19. | 11-052018-001 | Flat Washer (10.5 mm) |
| 20. | 11-051771-001 | Lockwasher (M10) |
| 21. | 11-051028-001 | Hex Head Cap Screw (M6 x 25 mm) |
| 22. | 11-052067-001 | N.A. Flat Washer (7.4 mm) |
| 23. | 11-051769-001 | Lockwasher (M6) |
| 24. | 11-051028-001 | Hex Hd. Cap Screw (M6 x 25 mm) |
| 25. | 53-520704-001 | N.A. Motor/Mount Bracket/Power Bracket Assembly |
| | 53-860328-000 | R.O. Ball lift Motor 115/230V 1/4 HP Pkg. |
| 26. | 11-051053-001 | Hex Hd. Cap Screw (M8 x 40 mm) |
| 27. | 11-051856-001 | Retaining Ring (25mm) |
| 28. | 53-520421-000 | Inner Ring |
| 29. | 53-520421-001 | R.H. or L.H. Leather Track |
| 30. | 53-520686-000 | R.H. or L.H. Rubber Track |
| 31. | 11-190006-001 | Flat Washer (#10) |
| 32. | 11-081206-000 | Truss Hd. Robertson Screw (10-24 x 5/8") |
| 33. | 53-520532-001 | Poly V Sheave (1" Dia.) |

N.A. = No Longer Available

R.O. = Replacement Option

* Not Illustrated



**Frameworx Ball Lift
(Metric)**

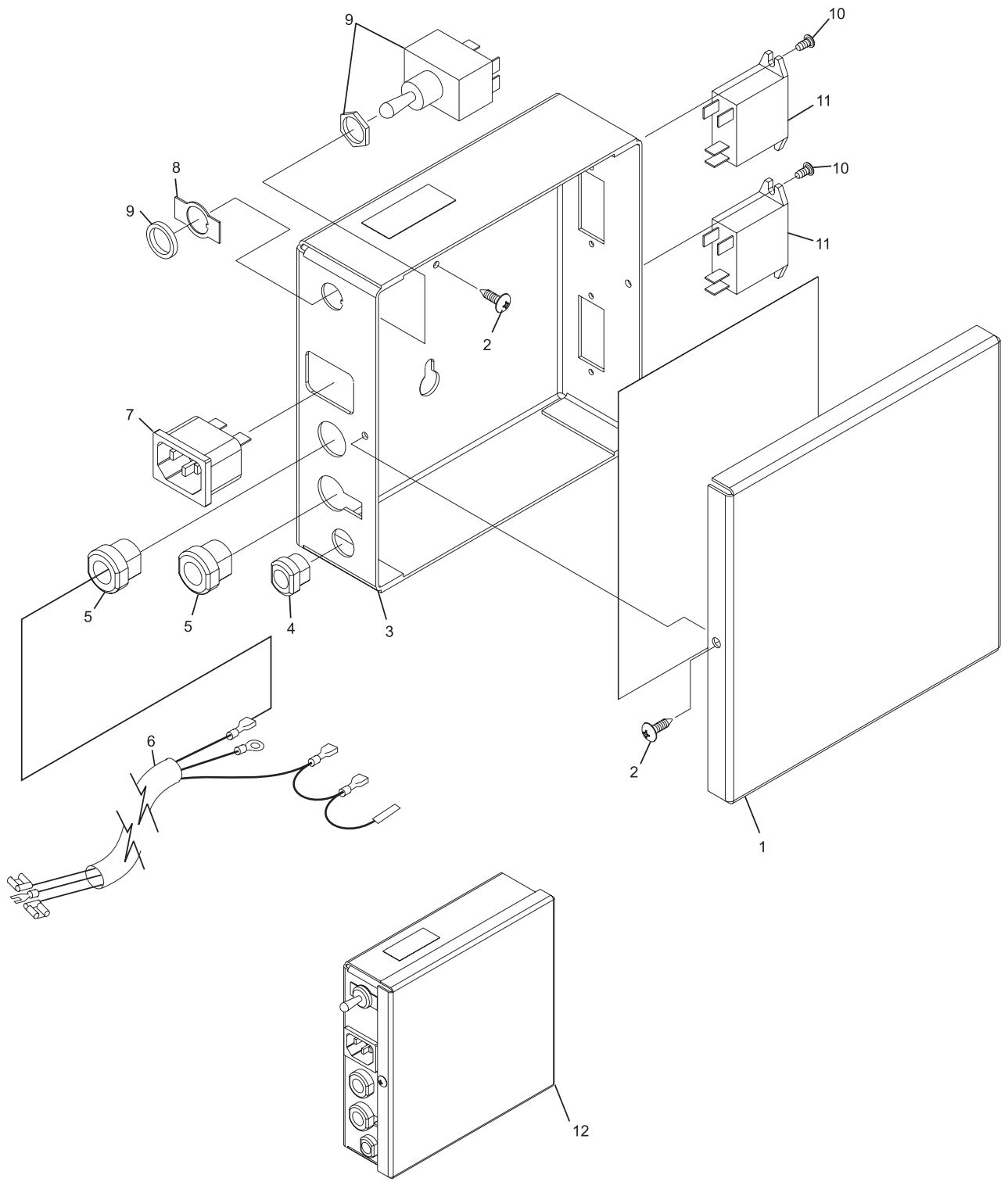
Index

| No. | Part No. | | Description |
|------------|-----------------|------|---|
| 1. | 53-520693-000 | | Cover |
| 2. | 11-082232-001 | | Truss Hd.C.R. Screw (#6 x 1/2") |
| 3. | 53-520691-000 | N.A. | Enclosure |
| 4. | 11-611015-000 | | Strain Relief Bushing |
| 5. | 11-611016-000 | N.A. | Strain Relief Bushing |
| 6. | 53-520701-000 | | Ball Lift Motor Cable Assembly |
| 7. | 11-686558-000 | | Power Receptacle |
| 8. | 11-616602-000 | | Plate-ON/OFF |
| 9. | 11-615522-000 | N.A. | Toggle Switch |
| 10. | N.A. | | Pan Hd. C.R. Self Tapping Screw (#4 x .25") |
| 11. | 11-672523-000 | | Relay |
| 12. | 53-520692-000 | N.A. | Ball Lift Control Box - Complete |
| | 53-520715-000 | R.O. | Ball Lift Control Box Assembly |

N.A. = No Longer Available

R.O. = Replacement Option

NOTE: For cable from ball lift to pinsetter order part number
53-860688-000.



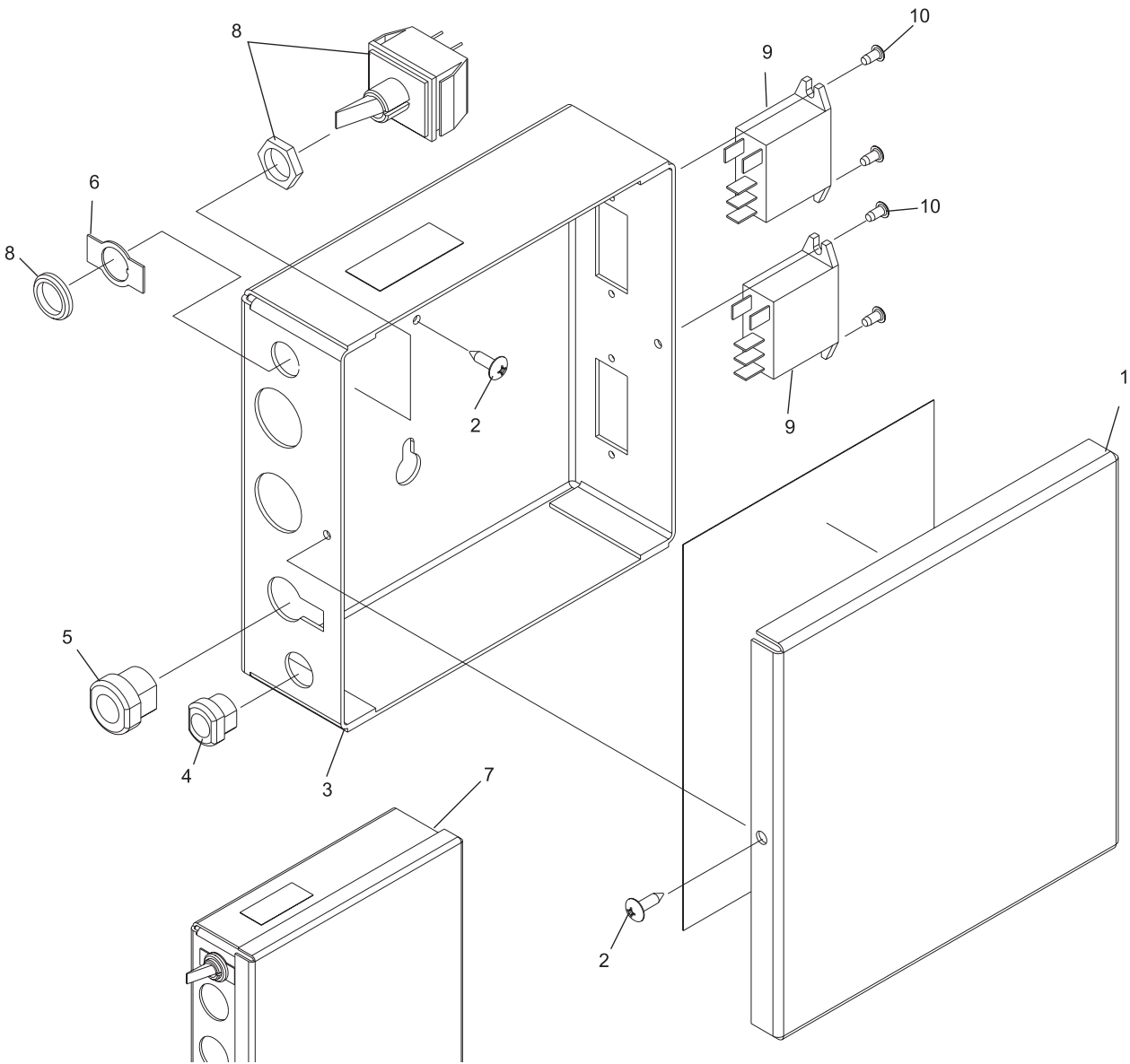
Frameworx Ball Lift Control Box

Index

| No. | Part No. | | Description |
|------------|-----------------|------|--|
| 1. | 53-520693-000 | | Cover |
| 2. | 11-082232-001 | | Truss Hd. C.R. Screw (6 x 1/2) |
| 3. | 53-520714-000 | N.A. | Enclosure |
| 4. | 11-611015-000 | | Strain Relief Bushing |
| 5. | 11-611016-000 | N.A. | Strain Relief Bushing |
| 6. | 11-616602-000 | | Plate-ON/OFF |
| 7. | 53-520715-000 | | Ball Lift Control Box - Complete |
| 8. | 11-615523-000 | | Toggle Switch |
| 9. | 11-087500-000 | N.A. | Pan Hd.C.R. Self Tapping Screw (M2.9 x 9.5 mm) |
| 10. | 11-672523-000 | | Relay |

N.A. = No Longer Available

Frameworkx Ball Lift Control Box (Metric)



Frameworx Ball Lift Control Box (Metric)

Intentionally Blank Page