

Section J

**RETURN TRACK  
& DROP SWEEPS**

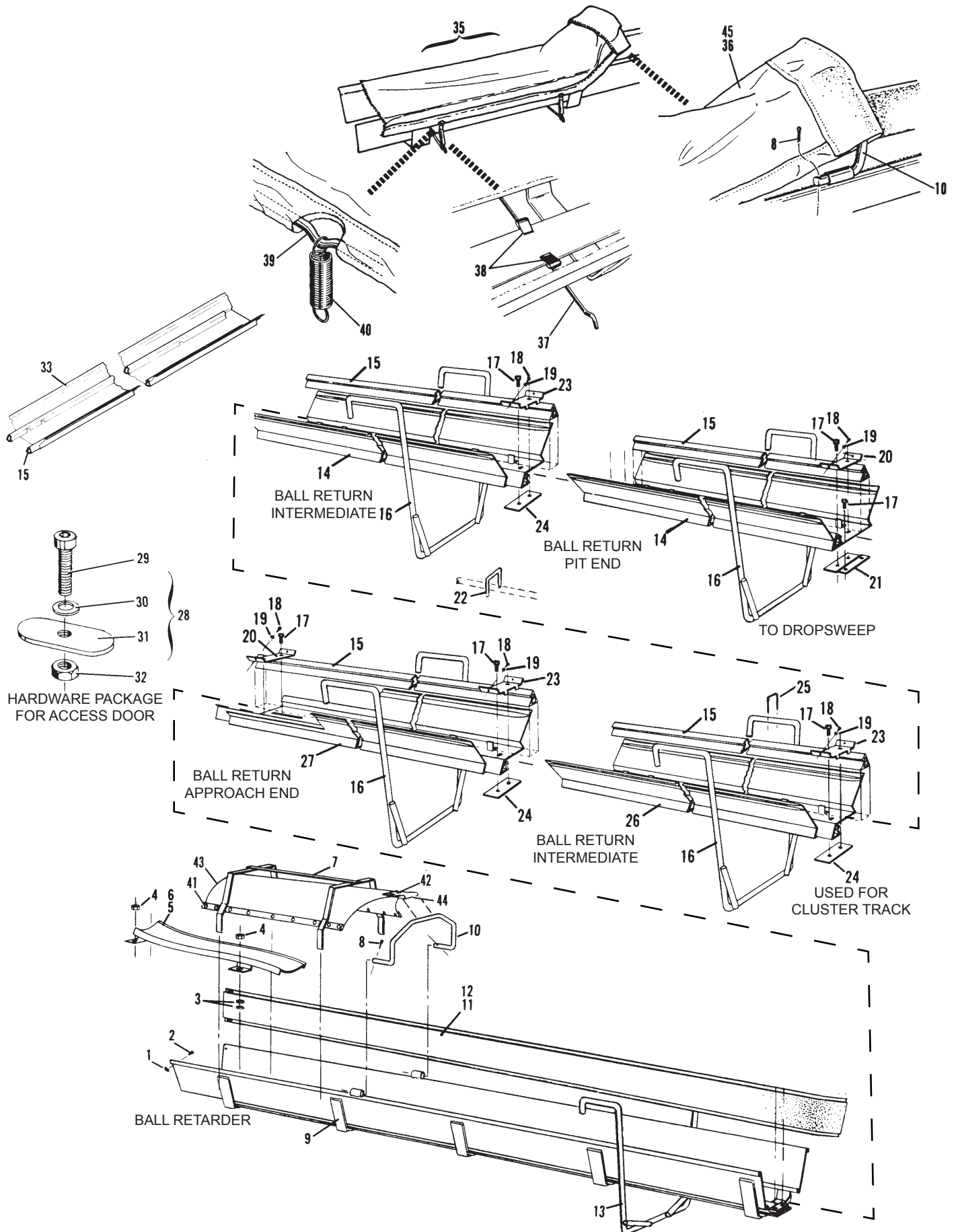
**Index**

<b>No.</b>	<b>Part No.</b>	<b>Description</b>
1.	11-176006-001	Keps Nut (10-24)
2.	N.A.	C.R. Rd. Hd. Machine Screw (10-24 x 3/8")
3.	11-190012-001	Flat Washer (5/16)
4.	11-176001-001	Keps Nut (5/16-18)
5.	19-204370-000	Transition Track w/Leather
	53-860802-000	N.A. GS Series Transition Track w/Transfer Track
6.	*19-204375-000	Leather Only
7.	19-204362-000	Polishing Retarder
8.	11-335155-000	N.A. Cotter Pin (3/32 x 3/4")
9.	N.A.	Retarder Frame Only
10.	53-520386-000	N.A. Attaching Yoke
11.	19-204350-000	Carpet w/Backing Plate
12.	19-204352-000	Carpet Only
13.	19-204356-000	N.A. Hanger Bracket (Retarder)
14.	N.A.	Track Support w/Vinyl (145") Pit End & Intermediate
15.	*53-520095-014	Vinyl Track (74")
16.	19-204207-000	Hanger Bracket
17.	11-015367-001	Sems Hex Hd. Machine Screw (5/16-18 x 3/4")
18.	N.A.	C.R. B. Hd. Machine Screw (8-32 x 3/8")
19.	11-198002-001	External Tooth Lockwasher (#8)
20.	53-520177-000	Hold Down Clamp
21.	53-520292-000	Tie Bracket
22.	N.A.	Staple (For Reset Cable)
23.	19-204229-000	Splice Clip
24.	19-204231-000	Nut Plate (5/16-18)
25.	N.A.	Staple
26.	19-204200-000	N.A. Track Support w/Vinyl (83") For Cluster Rack Only
27.	N.A.	Track Support w/Vinyl (145") Retarder End
28.	N.A.	Complete Set of Hardware for Access Door
29.	11-005266-001	Hex Socket Hd. Cap Screw (5/16-18 x 1-1/4")
30.	12-100344-002	Gasket
31.	N.A.	Weld Nut (5/16)
32.	11-125202-001	Hex Jam Nut (5/16-18)
33.	53-520198-000	N.A. Track Support w/Vinyl (10-3/4")
34.	N.A.	Cement (Quart) - Not Illustrated
35.	N.A.	Polishing Retarder Conversion Kit - Complete
36.	53-860453-000	Ball Wiper Cloth Only
37.	53-520385-000	N.A. Spring Rod
38.	53-520383-000	N.A. Spring Clip
39.	53-520382-000	N.A. Rod
40.	53-520384-000	Tension Spring
41.	11-261502-000	N.A. Copper Rivet w/Washer
42.	11-261501-000	Copper Rivet w/ Washer (.625 LG)
43.	19-204367-000	Leather Only
44.	19-204368-000	Leather Tab Only
45.	53-520405-000	Retarder Cloth

*N.A. = No Longer Available*

\* Vinyl Track replacement. Cut to fit required length.

## Subway Return Track



### Subway Return Track

**Index**

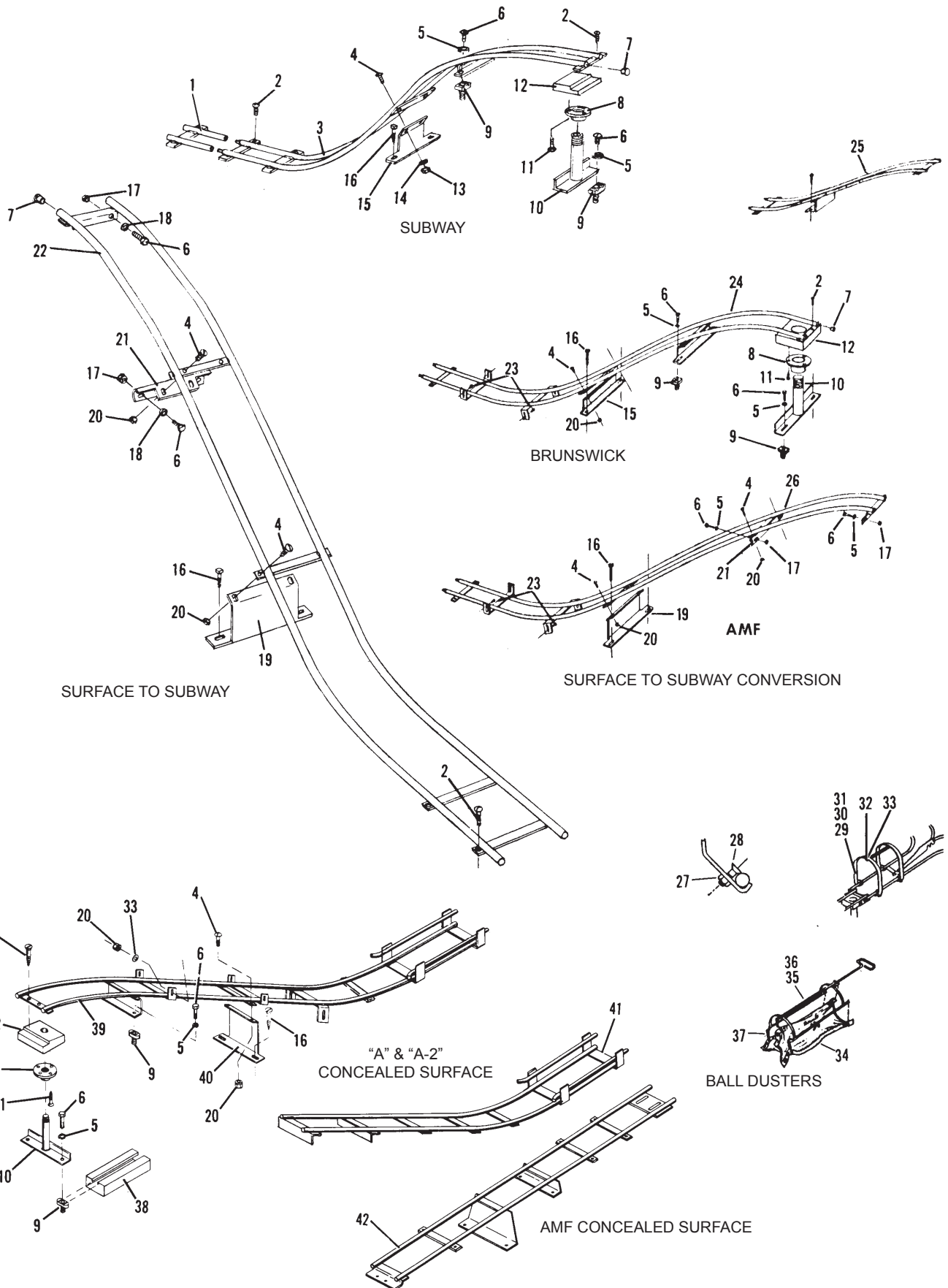
<b>No.</b>	<b>Part No.</b>	<b>Description</b>
1.	12-502445-000	Dropsweep Extension
2.	11-042123-001	N.A. Sltd. Rd. Hd. Wood Screw (#12 x 3/4")
3.	*N.A.	Dropsweep - See Note
4.	11-107147-001	N.A. Sltd. Rd. Hd. Machine Screw (1/4-20 x 5/8")
5.	11-195015-001	Lockwasher (5/16)
6.	11-001264-001	Hex Hd. Cap Screw (5/16-18 x 1")
7.	N.A.	Plug (3/4)
8.	N.A.	Flange
9.	11-180003-001	N.A. Clamp Nut (5/16-18)
10.	19-088437-000	N.A. Support
11.	N.A.	Sltd. Flat Hd. Wood Screw (1/4 x 1-1/2")
12.	19-088440-000	Block
13.	11-125007-001	Hex Nut (1/4-20)
14.	11-195014-001	Lockwasher (1/4)
15.	N.A.	Support Bracket
16.	N.A.	Hex Hd. Lag Screw (1/4 x 1-1/4)
17.	11-176001-001	Keps Nut (5/16-18)
18.	11-190012-001	Flat Washer (5/16)
19.	19-088338-000	N.A. Support Bracket
20.	11-176000-001	Keps Nut (1/4-20)
21.	19-088341-000	N.A. Attaching Bracket
22.	19-202698-000	N.A. Dropsweep - AMF Surface to Subway Conversion
23.	11-001178-001	Hex Hd. Cap Screw (1/4-20 x 1/2")
24.	**19-202567-000	N.A. Dropsweep - Pit End (See Note)
25.	N.A.	Dropsweep - Approach End
26.	N.A.	AMF Dropsweep - Pit End
27.	11-125104-001	Hex Nut (3/8-16)
28.	11-007346-001	Flat Socket Hd. Cap Screw (3/8-16 x 1-1/4")
29.	29-088559-000	N.A. Frame Holder - Standard Automatic Pinsetter
30.	29-203256-000	N.A. Frame Holder - Rear Wall Automatic Pinsetter
31.	12-502442-000	N.A. Frame Holder - Jet Back Equipped Pinsetter
32.	N.A.	Wing Bolt (1/4-20 x 1/2")
33.	11-190010-001	Flat Washer (1/4)
34.	61-860028-000	Apron (All Models)
35.	N.A.	Frame w/Short Handle - Rear Wall and Jet Back
36.	29-088557-000	N.A. Frame w/Long Handle - Standard Pinsetter
37.	29-088568-000	Spring
38.	N.A.	Channel
39.	N.A.	Dropsweep Assembly
40.	53-520284-000	N.A. Support Bracket
41.	N.A.	AMF Dropsweep Assembly
42.	N.A.	Approach Dropsweep

*N.A. = No Longer Available*

\* Also used for Model A Pinsetter w/Ball Boosters to AMF Subway or Surface Track. See Adapters in A/P Catalog.

\*\* This track must be cut off for use with Jet Back Conversion installations.

## Dropsweep Assemblies & Ball Dusters



## Dropsweep Assemblies & Ball Dusters

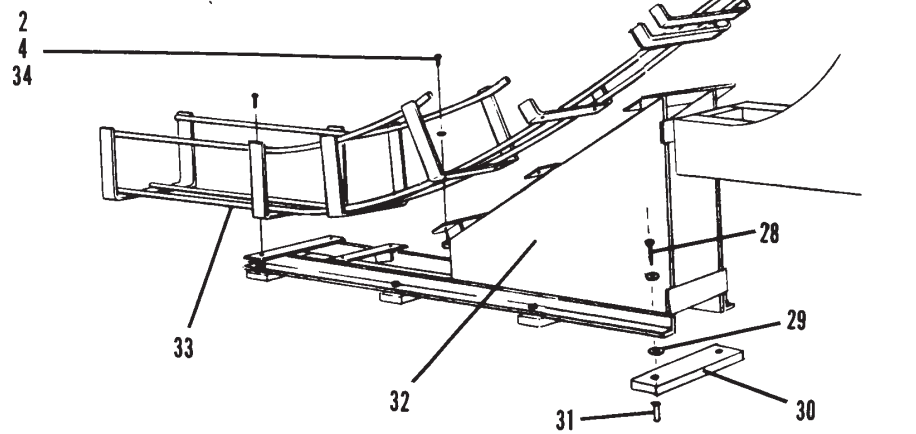
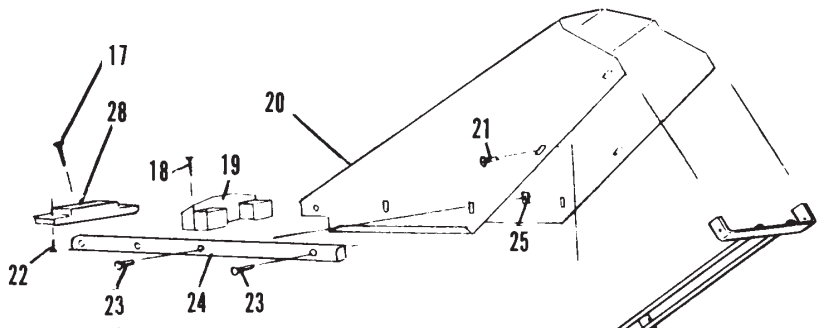
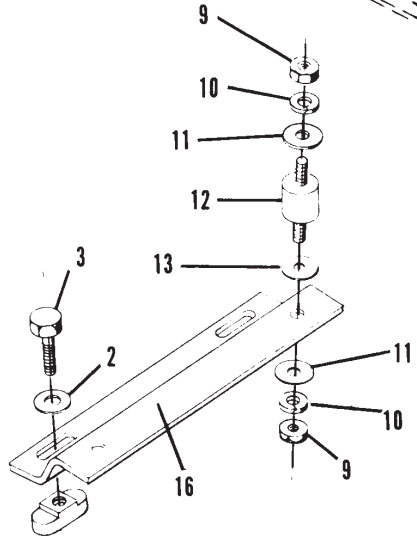
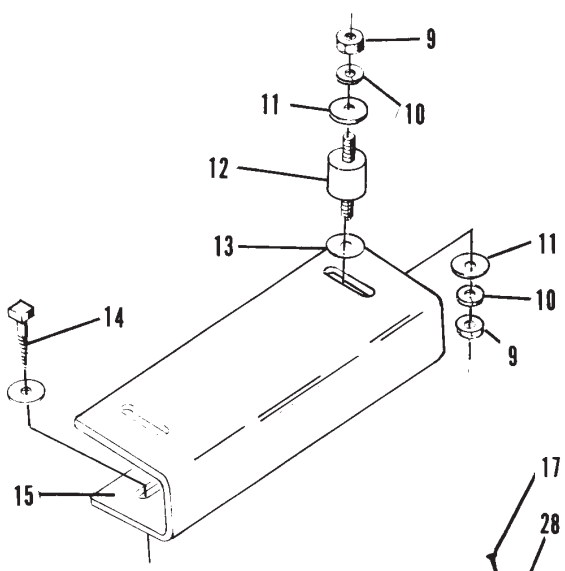
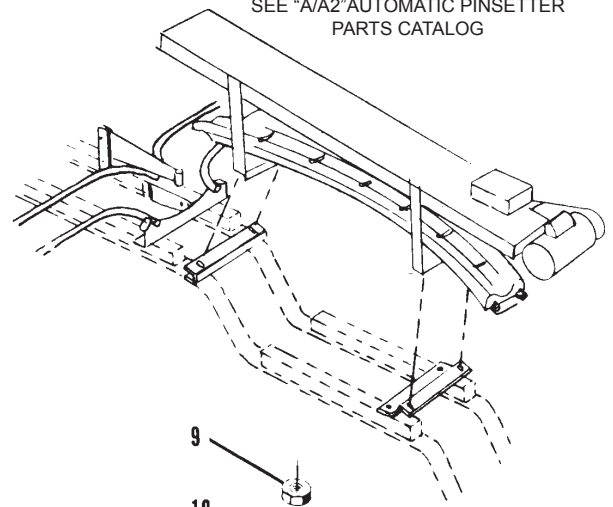
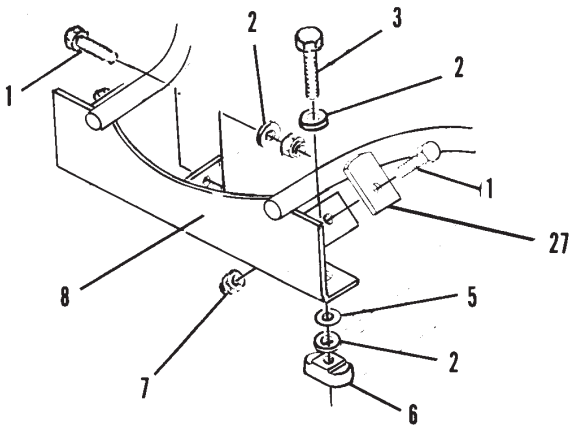
Index No.	Part No.		Description
1.	11-001263-001		Hex Hd. Cap Screw (5/16-18 x 7/8")
2.	11-190012-001		Flat Washer (5/16)
3.	11-001268-001		Hex Hd. Cap Screw (5/16-18 x 1-1/2")
4.	11-176001-001		Keps Nut (5/16-18)
5.	12-350118-005		Shim
6.	11-180003-001	N.A.	Clamp Nut (5/16-18)
7.	11-170009-001		Self Locking Nut (5/16-18)
8.	N.A.		Bracket
9.	11-125202-001		Hex Jam Nut (5/16-18)
10.	11-195015-001		Lockwasher (5/16)
11.	N.A.		Flat Washer
12.	10-675001-000		Rubber Mount
13.	11-190527-001		Flat Washer
14.	N.A.		Hex Hd. Lag Screw (5/16 x 1-1/2")
15.	N.A.		Bracket
16.	N.A.		Bracket
17.	11-043164-002	N.A.	C.R. Oval Hd. Wood Screw (#16 x 3")
	11-043164-001	R.O.	Wood Screw (#16 x 3")
18.	N.A.		Sltd. Flat Hd. Wood Screw (#14 x 2-1/2")
19.	19-204533-000	N.A.	Cover Support
20.	N.A.		Dropsweep Cover (Gray)
	N.A.		Dropsweep Cover ("2000" Brown)
21.	11-024288-001		C.R. T. Hd. Machine Screw (1/4-20 x 5/8")
22.	N.A.		Flat Hd. Wood Screw (#10 x 1-1/4")
23.	15-612306-000		C.R. Flat Hd. Machine Screw w/Nylok (1/4-20 x 1")
24.	N.A.		Cover Strip (Gray)
	53-520402-010		Cover Strip (Brown)
25.	11-179020-001		Grip Nut (1/4-20)
26.	*19-204225-000	N.A.	Cover Support
27.	N.A.		Bracket
28.	N.A.		Hex Hd. Lag Screw (3/8 x 3")
29.	11-190016-001	N.A.	Flat Washer (7/16)
30.	19-204226-000	N.A.	Maple Shim
31.	N.A.		Concrete Fastener (3/8-16)
32.	N.A.		Dropsweep Support
33.	N.A.		Dropsweep
34.	11-001264-001		Hex Hd. Machine Screw (5/16-18 x 1")

N.A. = No Longer Available  
R.O. = Replacement Option

\* Not Illustrated

## Jet-Back Return Subway

FOR BALL ACCELERATOR  
PARTS BREAKDOWN  
SEE "A/A2" AUTOMATIC PINSETTER  
PARTS CATALOG



**Jet-Back Return Subway**

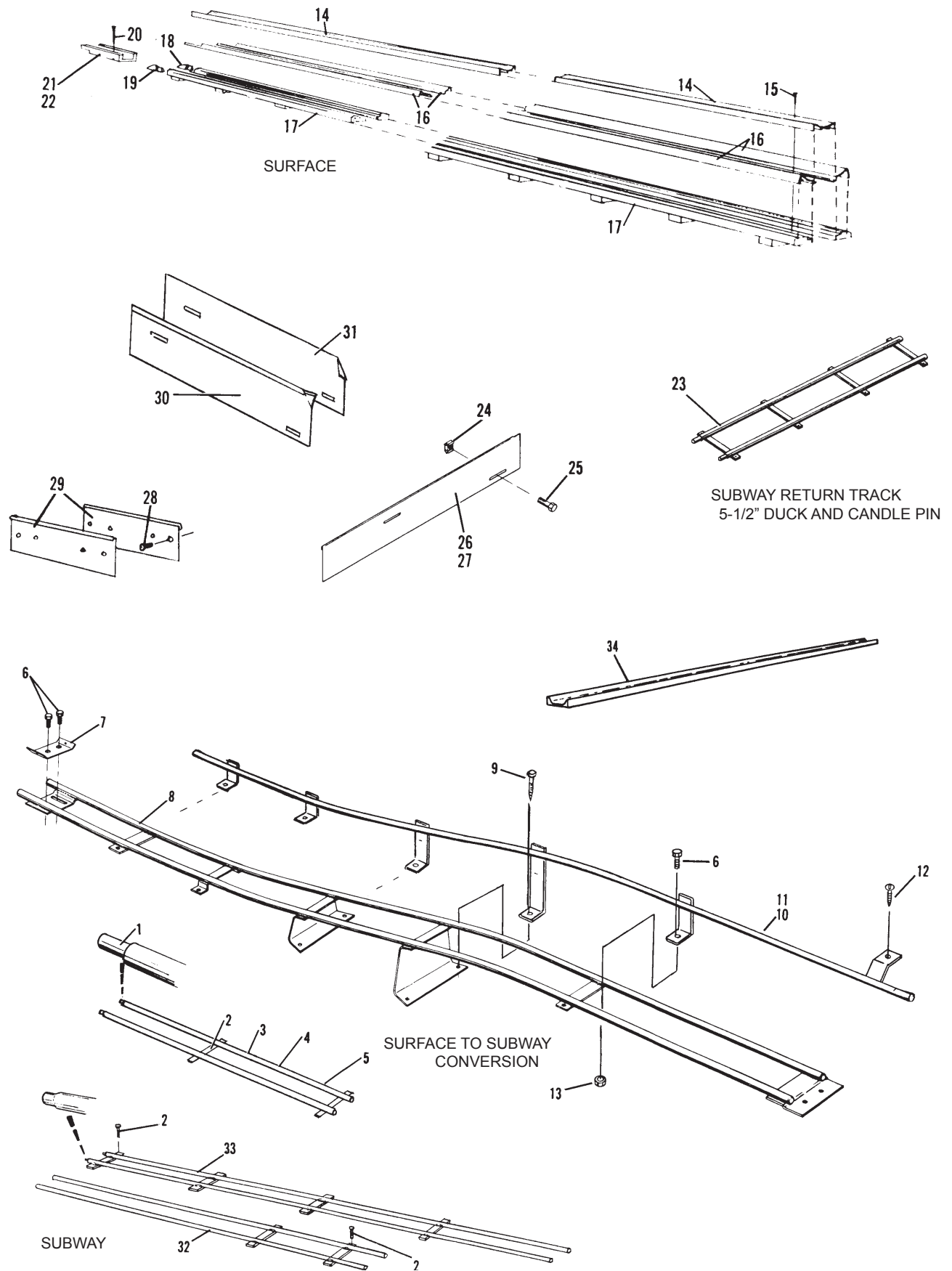
**Index**

<b>No.</b>	<b>Part No.</b>		<b>Description</b>
1.	19-201007-000		Plug Joint
2.	11-042123-001	N.A.	Slted. Rd. Hd. Wood Screw (#12 x 3/4")
3.	N.A.		Return Track - End and Intermediate (144")
4.	N.A.		Return Track - Approach End (82-1/2")
5.	N.A.		Return Track - Approach End (85")
6.	11-015367-001		Sems Hex Hd. Machine Screw (5/16-18 x 3/4")
7.	53-520177-000		Hold Down Clamp
8.	N.A.		Approach Dropsweep
9.	N.A.		Hex Hd. Lag Screw (5/16-18 x 1-1/2")
10.	19-204989-000	N.A.	L.H. Guide Rail Assembly - Shown
11.	19-204988-000	N.A.	R.H. Guide Rail Assembly - Shown
12.	N.A.		Self Tapping C.R. Rd. Hd. Screw (1/4 x 1")
13.	11-125102-001		Hex Nut (5/16-18)
14.	N.A.		Center Moulding
15.	N.A.		C.R. Flat Hd. Wood Screw (#14 x 1-1/4")
16.	N.A.		Plastic Track (2 Pieces 65-1/2")
17.	N.A.		Track Base (9-1/2 and 10-1/2)
18.	N.A.		L.H. Plug Block
19.	N.A.		R.H. Plug Block
20.	11-040157-001	N.A.	C.R. Flat Hd. Wood Screw (#14 x 1-1/2")
21.	N.A.		9-1/2 Support Block
22.	N.A.		10-1/2 Support Block
23.	53-520195-000	N.A.	Track Assembly (94-1/2")
24.	11-179020-001		Grip Nut (1/4-20)
25.	11-001178-001		Hex Hd. Cap Screw (1/4-20 x 1/2")
26.	N.A.		L.H. Side Panel (9-1/2 Return Only ) - Shown
27.	N.A.		R.H. Side Panel (9-1/2 Return Only) - Opposite
28.	N.A.		Slted. Flat Hd. Wood Screw (#10 x 5/8")
29.	N.A.		Side Panel Plate
30.	N.A.		L.H. Side Panel
31.	N.A.		R.H. Side Panel
32.	19-088168-000	N.A.	Track Assembly (99")
33.	19-088167-000		Track Assembly (144")
34.	*19-203999-000	N.A.	Plastic Return Track - Subway

*N.A. = No Longer Available*

\* Not Illustrated

**Ball Return Track & Side Panels**

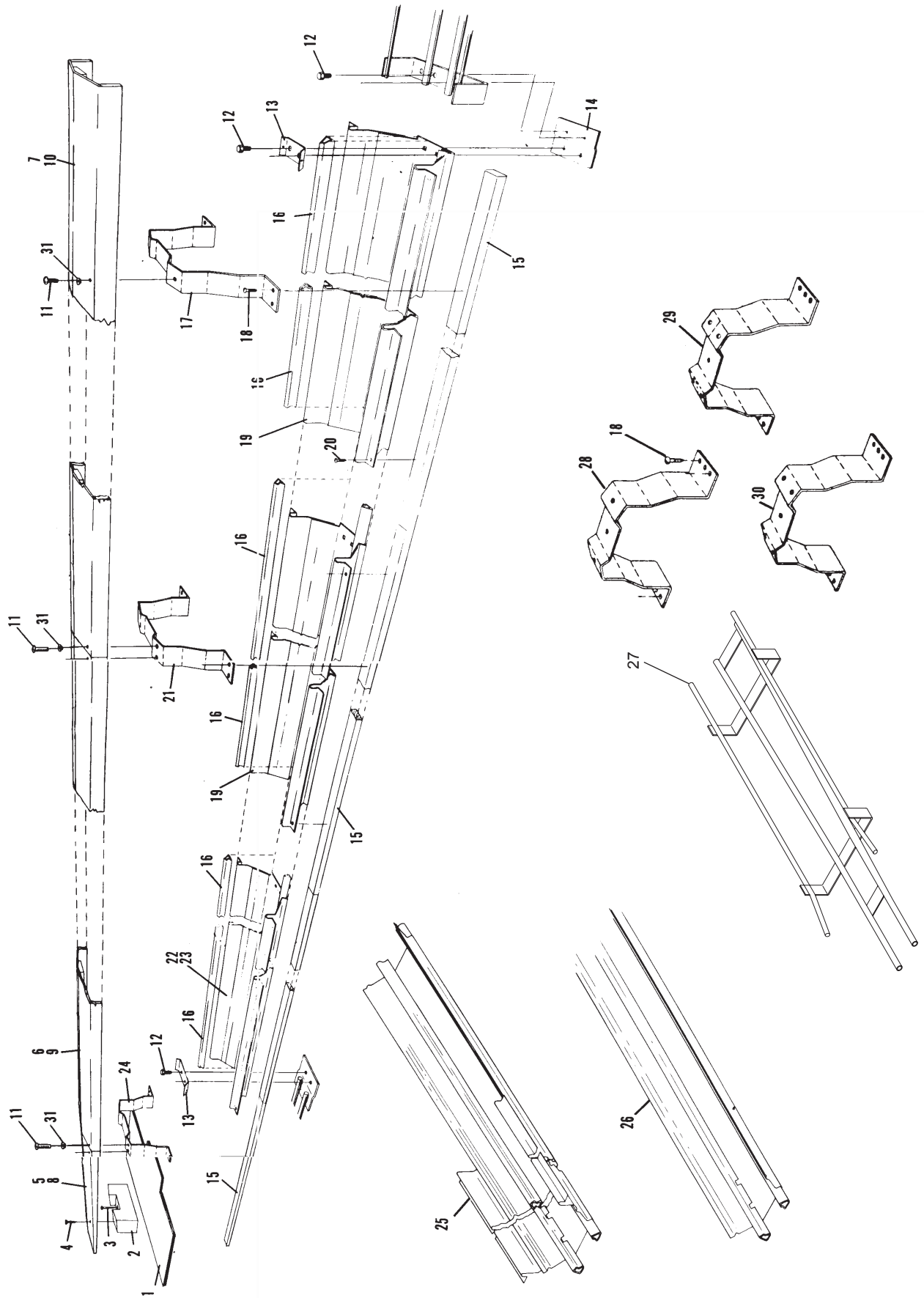


**Ball Return Track & Side Panels**

**Index**

<b>No.</b>	<b>Part No.</b>		<b>Description</b>
1.	N.A.		Support
2.	19-202527-000	N.A.	Support Block (3-3/16")
	N.A.		Support Block (2-7/16")
3.	N.A.		C.R. Flat Hd. Wood Screw (#14 x 2-1/2")
4.	N.A.		Self Tapping C.R. T. Hd. Screw (#14 x 1-1/4")
	N.A.		Self Tapping C.R. Flat Hd. Screw (1/4 x 1-1/4")
5.	N.A.		9-1/2 Approach Capping - Gray (26")
	N.A.		9-1/2 Approach Capping - Gray (31-3/4" No Taper)
6.	N.A.		9-1/2 Intermediate Capping - Gray (119")
7.	N.A.		9-1/2 Pit End Capping - Gray (26-3/4")
8.	N.A.		10-1/2 Approach Capping - Gray (26")
	N.A.		10-1/2 Approach Capping - Gray (31-3/4" No Taper)
9.	N.A.		10-1/2 Intermediate Capping - Gray (119")
10.	N.A.		10-1/2 Pit End Capping - Gray (26-3/4")
11.	11-024288-001		C.R. T. Hd. Machine Screw (1/4-20 x 5/8")
	N.A.		C.R. T. Hd. Machine Screw (1/4-20 x 1")
	N.A.		C.R. Flat Hd. Machine Screw (1/4-20 x 1")
12.	11-015367-001		Sems Hex Hd. Machine Screw (5/16-18 x 3/4")
13.	53-520177-000		Hold Down Clamp
14.	53-520292-000		Tie Bracket
15.	N.A.		Cleat
16.	53-520095-014		Vinyl Track (74")
17.	N.A.		Support Bracket (Used Between Joints)
18.	N.A.		Sltd Rd. Hd. Wood Screw (#14 x 1-1/4")
	N.A.		Sltd. Flat Hd. Wood Screw (#14 x 1-1/4")
19.	N.A.		Track Support w/Vinyl (145")
20.	11-082094-009	N.A.	Self Tapping C.R. Rd. Hd. Screw (#10 x 3/4")
21.	N.A.		Support Bracket (Used at Joints)
22.	N.A.		Track Support w/Vinyl (107")
23.	N.A.		Track Support w/Vinyl (23-5/16")
24.	N.A.		Support Bracket (Tel-E-Foul End)
25.	N.A.		Track Support w/Vinyl (107")
26.	N.A.		Track Support w/Vinyl (94")
27.	*53-861063-000	N.A.	Transition Track Assembly
28.	N.A.		Support Bracket (Used Between Joints)
29.	N.A.		Support Bracket (Tel-E-Foul End)
30.	N.A.		Support Bracket (Used at Joints)
31.	53-520314-000		Retaining Washer

*N.A. = No Longer Available*



**Surface To Subway Conversion  
& Concealed Surface Return Track**

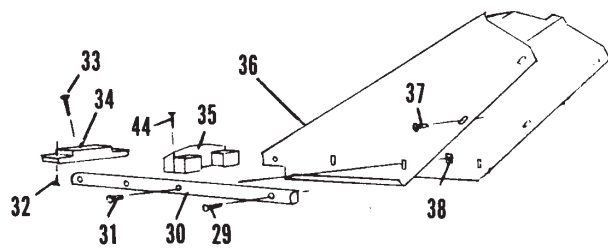
**Index**

<b>No.</b>	<b>Part No.</b>		<b>Description</b>
1.	19-204511-000	N.A.	Dropsweep - A-2 Subway
2.	11-001264-001		Hex Hd. Cap Screw (5/16-18 x 1")
3.	11-190010-001		Flat Washer (1/4)
4.	11-176000-001		Keps Nut (1/4-20)
5.	19-204190-000	N.A.	Dropsweep Support
6.	11-190012-001		Flat Washer (5/16)
7.	11-176001-001		Keps Nut (5/16-18)
8.	N.A.		Hex Hd. Lag Screw (3/8 x 3")
9.	11-190016-001		Flat Washer (7/16)
10.	19-204226-000	N.A.	Maple Shim
11.	N.A.		Concrete Fastener (3/8-16)
12.	N.A.		L.H. Guide Rail Cover
13.	N.A.		R.H. Guide Rail Cover
14.	N.A.		Self Tapping C.R. T. Hd. Screw (#10 x 1/2")
15.	N.A.		Self Tapping C.R. Rd. Hd. Screw (#14 x 1-1/2")
16.	N.A.		Shim
17.	N.A.		Dropsweep Support (9-1/2 and 10-1/2)
18.	11-040228-001		C.R. Flat Hd. Wood Screw (#20 x 4-1/2")
19.	N.A.		Dropsweep - A-2 Surface
20.	N.A.		Hex Hd. Lag Screw (3/8 x 2-1/2")
21.	N.A.		Gutter Support Cleat
22.	11-040663-001	N.A.	Sltd. Flat Hd. Wood Screw (#14 x 3")
23.	N.A.		Dropsweep - A-2 Surface to Subway Conversion
24.	N.A.		Dropsweep Support
25.	N.A.		R.H. Filler Block
26.	11-179022-000	N.A.	Grip Nut (1/4-20)
27.	N.A.		L.H. Filler Block
28.	11-028146-001	N.A.	Sltd. Flat Hd. Machine Screw (1/4-20 x 2")
29.	11-084610-001		Self Tapping C.R. Flat Hd. Screw (#14-10 x 1-3/4")
30.	N.A.		Cover Strip (Gray)
	53-520402-010		Cover Strip (Brown)
31.	15-612306-000		C.R. Flat Hd. Machine Screw w/Nylok (1/4-20 x 1")
32.	N.A.		Sltd. Flat Hd. Wood Screw (#10 x 1-1/4")
33.	11-043164-002	N.A.	C.R. Oval Hd. Wood Screw (#16 x 3")
	11-043164-001	R.O.	Wood Screw (#16 x 3")
34.	19-204225-000	N.A.	Cover Support
35.	19-204533-000	N.A.	Cover Support
36.	N.A.		Dropsweep Cover (Gray)
	N.A.		Dropsweep Cover ("2000" Brown)
37.	11-024288-001		C.R. T. Hd. Machine Screw (1/4-20 x 5/8")
38.	11-179020-001		Grip Nut (1/4-20)
39.	N.A.		Dropsweep Cover (Gray)
	N.A.		Dropsweep Cover ("2000" Brown)
40.	N.A.		L.H. Cover Strip (Gray)
	53-520270-013		L.H. Cover Strip ("2000" Brown)
41.	N.A.		C.R. Flat Hd. Machine Screw w/Nylok (1/4-20 x 1-1/2")
42.	N.A.		R.H. Cover Strip (Gray)
	53-520270-012		R.H. Cover Strip ("2000" Brown)
43.	11-111455-000		Concrete Fastener
44.	N.A.		Sltd. Flat Hd. Wood Screw (#14 x 2-1/2")

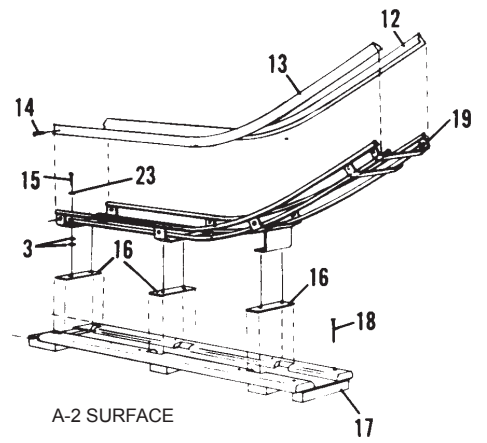
*N.A. = No Longer Available*

*R.O = Replacement Option*

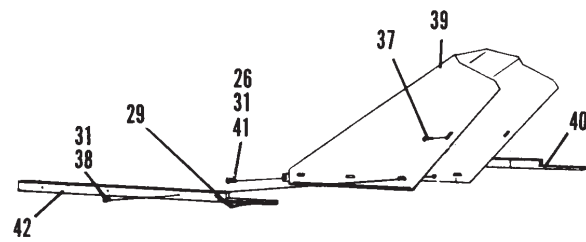
## Pit End Dropsweeps & Covers



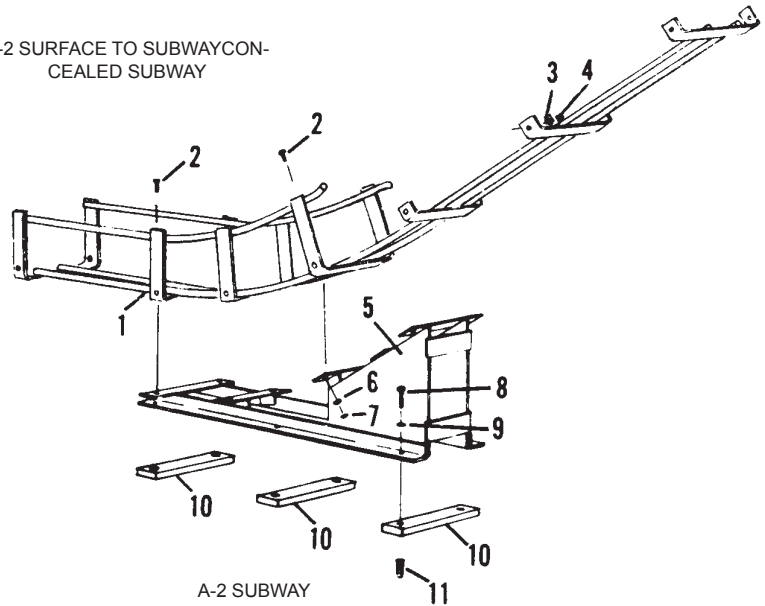
A-2 SUBWAY



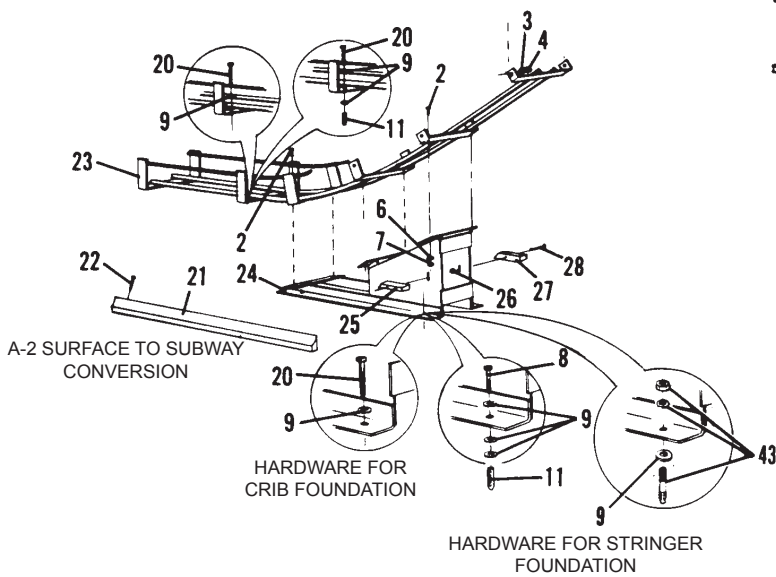
A-2 SURFACE



A-2 SURFACE TO SUBWAY CONCEALED SUBWAY



A-2 SUBWAY



A-2 SURFACE TO SUBWAY CONVERSION

HARDWARE FOR CRIB FOUNDATION

HARDWARE FOR STRINGER FOUNDATION

### Pit End Dropsweeps & Covers

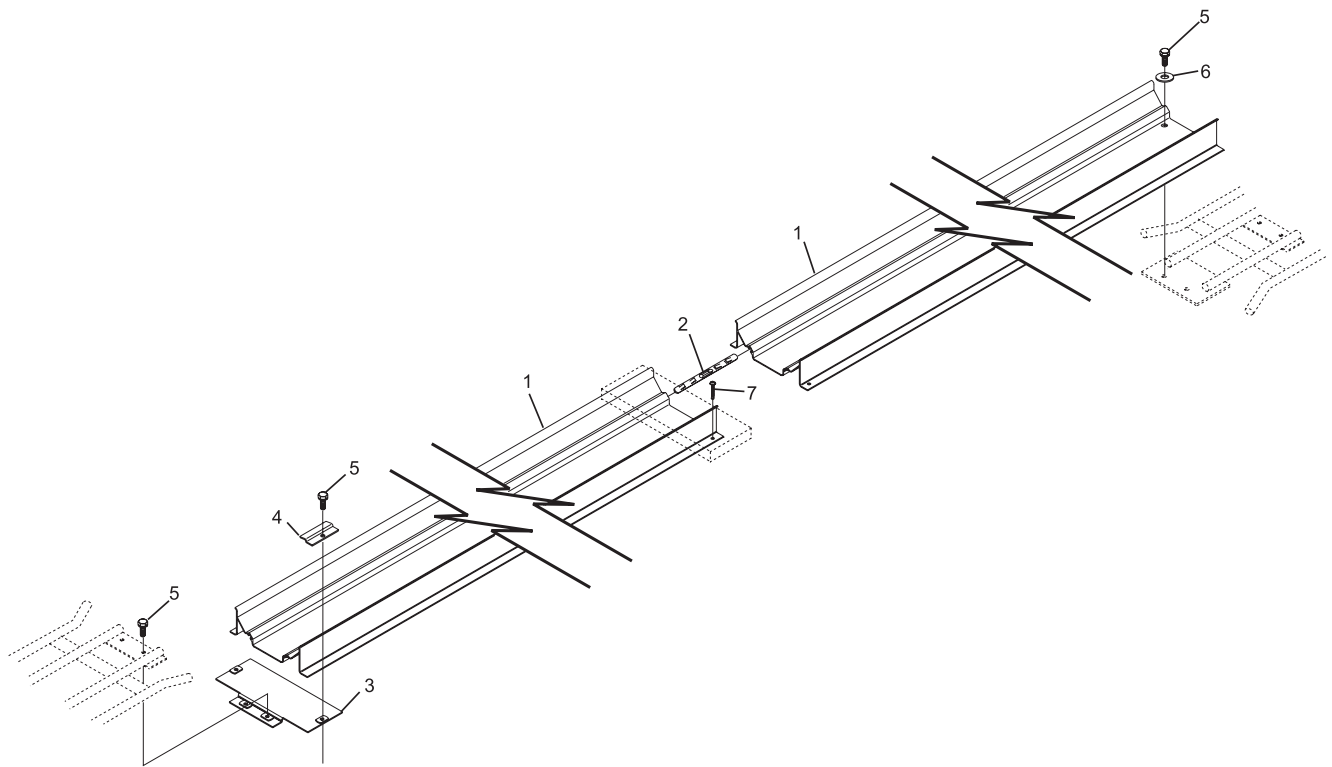
**Index**

<b>No.</b>	<b>Part No.</b>		<b>Description</b>
1.	84-300250-001	N.A.	Track Section (160")
	53-860807-000	N.A.	Track Section (160") - Pkg. of 5
	53-861047-000	R.O.	Ball Return Track and Hardware
	53-861015-000		Track Section (160") - All Plates
2.	84-300251-000		Track Splice
3.	84-300252-000	N.A.	Track Mounting Plate (accelerator)
4.	84-300253-000	N.A.	Track Hold Down Plate (accelerator)
5.	11-015367-001		Hex Head Screw (5/16-18 x 3/4")
6.	11-191012-001		Flat washer (5/16)
7.	11-086487-000		Self Drilling Screw (#8 x 1-1/4")

*N.A. = No Longer Available*

*R.O. = Replacement Option*

**Return Track**



## Return Track

*Intentionally Blank Page*