

Section G

TEL-E-FOUL

Index

| No. | Part No. | Description |
|-----|------------------|---|
| 1. | 53-860155-001 | Cover w/Lens ("2000" Brown) |
| 2. | 53-400241-000 | N.A. Cover Only (Dark Gray) |
| | 53-860995-012 | N.A. Covers - Pkg. of 2 (Dark Gray) |
| 3. | *53-600077-000 | Lens (Red) |
| 4. | 53-600076-000 | Lens Retainer (Black) |
| 5. | 11-095008-000 | Taplok Insert (1/4-20) |
| 6. | **53-600077-002 | N.A. Lens - White Matte Face |
| 7. | 11-178531-000 | Tee Nut (1/4-20) |
| 8. | 53-861068-000 | N.A. Tel-E-Foul - Complete (115/230 Volt 50/60 Hz) |
| | 53-861076-000 | R.O. Tel-E-Foul |
| | N.A. | Tel-E-Foul - Complete (230 Volt 50/60 Hz) |
| | N.A. | Tel-E-Foul - Infrared - under ball return cover only |
| 9. | 11-070505-001 | Hex Hd. Lag Screw (#10 x 2") |
| 10. | 11-042123-001 | N.A. Sltd. Rd. Hd. Wood Screw (#12 x 3/4") |
| 11. | 53-600102-000 | N.A. Mounting Plate |
| 12. | 11-040157-001 | N.A. C.R. Flat Hd. Wood Screw (#14 x 1-1/2") |
| 13. | 11-042061-001 | N.A. Sltd. Rd. Hd. Wood Screw (#8 x 1/2") |
| 14. | 53-600087-000 | N.A. Lamp Clip |
| 15. | N.A. | Cover w/Lens (Astroline Off-White) |
| | N.A. | Cover w/Lens ("2000" Ermine White) |
| 16. | N.A. | Cover Only ("2000" Ermine White) |
| 17. | 11-024524-001 | N.A. C.R. T. Hd. Machine Screw w/Nylok (6-32 x 5/16") |
| 18. | 53-600093-000 | N.A. Shorting Plug Assembly |
| 19. | 11-680201-000 | Receptacle (3 Contacts) |
| 20. | N.A. | Wire w/Pin - White/Gray (2-3/4") |
| 21. | 11-680301-000 | Terminal |
| 22. | 11-026300-004 | C.R. Oval Hd. Machine Screw (1/4-20 x 3-1/2") |
| 23. | 11-190008-001 | Flat Washer (#12) |
| 24. | 53-600088-000 | N.A. Mounting Plate Assembly |
| 25. | 53-600163-000 | N.A. Cover Only ("2000" Ermine White) |
| | 53-860996-012 | N.A. Cover Only (Lt. Gray) |
| | 84-860551-000 | N.A. Cover Only - Framework Plastic |
| | 84-860602-000 | R.O. Division Cover Pkg. |
| 26. | 53-600100-000 | N.A. Reflector and Bracket Assy. |
| | | R.O. order index no. 39 |
| 27. | 53-600099-000 | N.A. Bracket Only |
| | | R.O. order index no. 39 |
| 28. | 11-042524-001 | N.A. C.R. Rd. Hd. Wood Screw (#6 x 3/4") |
| 29. | 53-600101-000 | Reflector Only |
| 30. | 53-600074-000 | N.A. Reflector and Bracket Assy. |
| | | R.O. order index no. 39 |
| 31. | 53-600073-000 | N.A. Bracket Only |
| | | R.O. order index no. 39 |
| 32. | 11-024168-002 | N.A. C.R. T. Hd. Machine Screw (10-24 x 5/8") |
| 33. | N.A. | Twin Pilot Nut (10-24) |
| 34. | N.A. | L.H. Return Cover (Astroline Gray) |
| | N.A. | L.H. Return Cover ("2000" Brown) |
| 35. | N.A. | R.H. Return Cover (Astroline Gray) |
| | N.A. | R.H. Return Cover ("2000" Brown) |
| 36. | 11-042125-000 | N.A. Sltd. Rd. Hd. Wood Screw (#12 x 1") |
| 37. | ***57-860215-000 | N.A. Standard Tel-E-Foul PCB |
| 38. | ***57-861011-001 | N.A. Infrared Tel-E-Foul PCB |
| | ***57-861011-002 | N.A. Infrared Sensor Only |
| 39. | ***53-860299-000 | Reflector and Bracket Package - Contains: (2) 53-860299-001, (2) 53-600101-000, (2) 53 860299-003, (4) 53-860299-004, (4) 53-860299-005 |

N.A. = No Longer Available

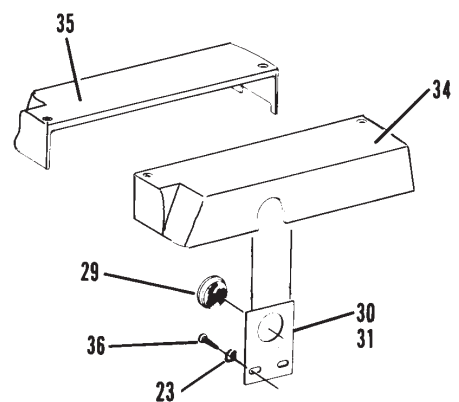
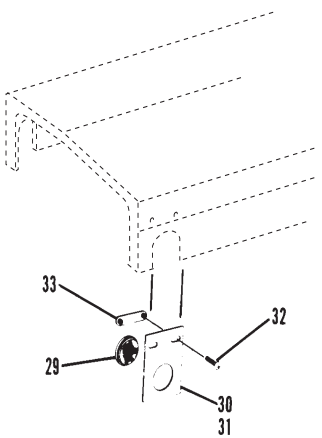
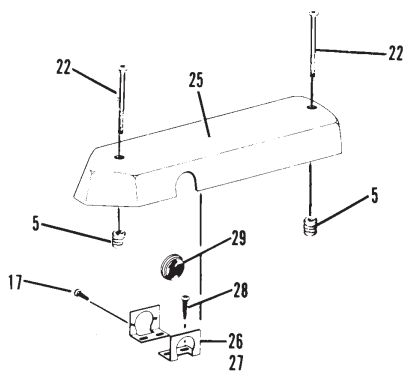
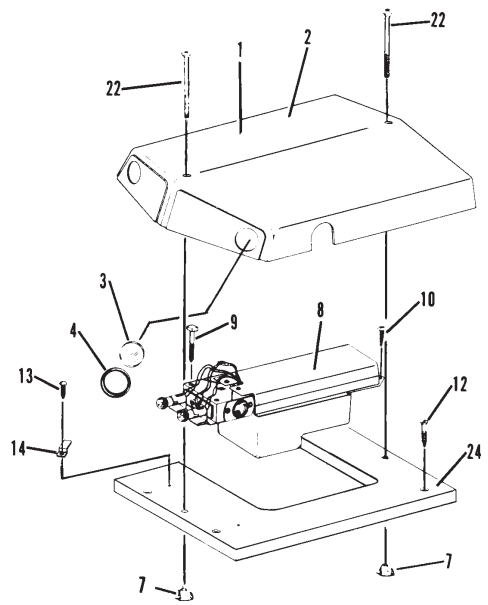
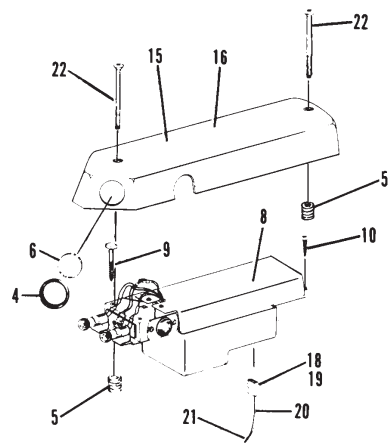
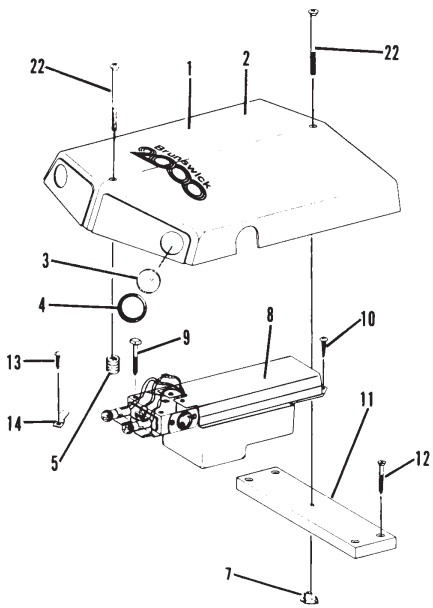
R.O. = Replacement Option

* For Subway Return Systems

** For Surface or Concealed Surface Return Systems

*** Not Illustrated

Tele-E-Foul Cover & Reflector Assembly



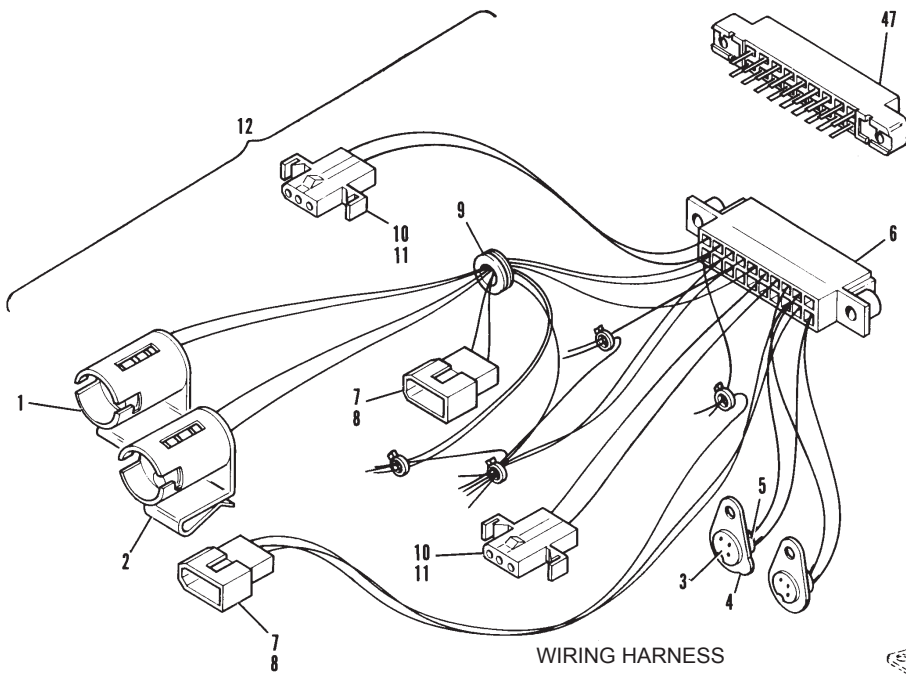
Tele-E-Foul Cover & Reflector Assembly

Index

| No. | Part No. | | Description |
|------------|-----------------|------|---|
| 1. | 53-600040-002 | | L.H. Socket Assembly |
| 2. | 53-600040-003 | | R.H. Socket Assembly |
| 3. | 53-600060-000 | | Photocell Mount |
| 4. | 53-600067-000 | | Photocell Bracket |
| 5. | 53-600059-000 | | Photocell |
| 6. | 11-696805-000 | N.A. | Connector |
| 7. | 11-680101-000 | | Connector Plug (3 Contacts) |
| 8. | 11-680307-000 | | Terminal |
| 9. | 11-651019-000 | N.A. | Grommet |
| 10. | 11-680301-000 | | Terminal |
| 11. | 11-680203-000 | | Connector Housing (3 Contacts) |
| 12. | *53-600141-000 | N.A. | Tel-E-Foul Harness - Complete |
| 13. | 53-600149-000 | | Wire Harness Assembly (45") |
| | N.A. | | Wire Harness Assembly (105") |
| 14. | 11-678904-000 | | Connector Plug (90°) |
| 15. | 32-201654-000 | | Adapter |
| 16. | 11-605128-000 | | Cable Clamp |
| 17. | 11-602104-000 | N.A. | Cord Grip |
| 18. | 11-403501-000 | | Anti-Short Bushing |
| 19. | 11-686001-000 | N.A. | Outlet Box |
| 20. | N.A. | | Outlet Box Cover |
| 21. | N.A. | | Adapter Box Assembly - Complete |
| 22. | N.A. | | PCB Assembly |
| 23. | N.A. | | Cover |
| 24. | N.A. | | Box |
| 25. | N.A. | | Harness Assembly - Complete |
| 26. | 11-013056-001 | N.A. | Sltd. Pan Hd. Machine Screw (8-32 x 1/4") |
| 27. | 11-190004-001 | | Flat Washer (#8) |
| 28. | N.A. | | Self Tapping Hex Hd. Washer Screw (#8 x 3/8") |
| 29. | 11-603109-000 | | Cable Tie (7-1/2") |
| 30. | 11-176006-001 | | Keps Nut (10-24) |
| 31. | 11-013078-001 | N.A. | Sltd. Pan Hd. Machine Screw (10-24 x 1/2") |
| 32. | N.A. | | Standoff |
| 33. | 53-600128-000 | N.A. | Transformer |
| 34. | N.A. | | Resistor |
| 35. | N.A. | | Relay |
| 36. | 11-693004-000 | N.A. | Diode |
| 37. | 11-696109-000 | N.A. | Capacitor |
| 38. | N.A. | | Cable Assembly w/o Connectors |
| 39. | 11-680303-000 | N.A. | Terminal |
| 40. | 11-680251-000 | N.A. | Edge Connector (12 Contacts) |
| 41. | 11-603108-000 | N.A. | Cable Tie (3-5/8") |
| 42. | N.A. | | R.H. Adapter Cable - White (80') |
| 43. | N.A. | | L.H. Adapter Cable - Black (80') |
| 44. | 11-680103-000 | N.A. | Connector Plug (3 Contacts) |
| 45. | N.A. | | Self Tapping Hex Hd. Washer Screw (#8 x 1") |
| 46. | N.A. | | Tap Splice |
| 47. | 53-600058-000 | N.A. | Connector (for units so equipped) |

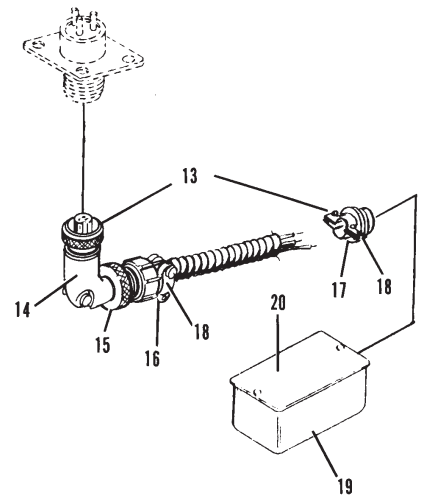
N.A. = No Longer Available

Tel-E-Foul Harness & AMF Adapter Box

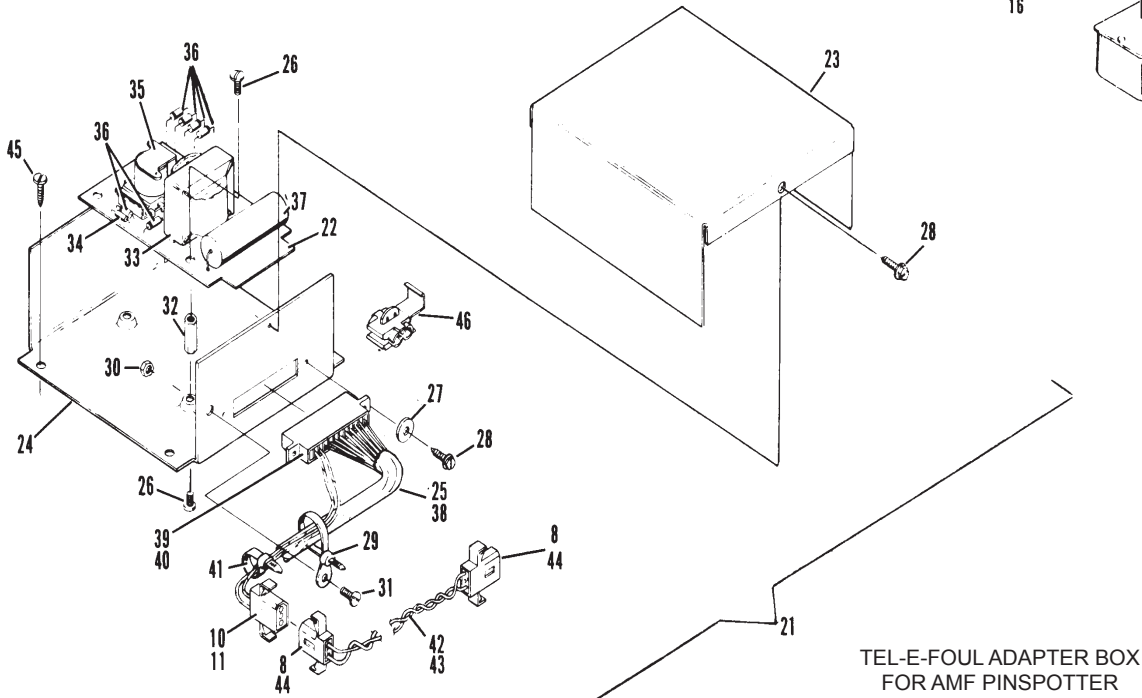


WIRING HARNESS

FOR UNTIS SO
EQUIPTED



TEL-E-FOUL HARNESS ASSEMBLY



TEL-E-FOUL ADAPTER BOX
FOR AMF PINSPOTTER

Tel-E-Foul Harness & AMF Adapter Box

| Index | | | Index | | |
|-------|---------------|--|-------|---------------|---|
| No. | Part No. | Description | No. | Part No. | Description |
| 1. | N.A. | Lamp (10W 115V) | 37. | 11-190004-001 | Flat Washer (#8) |
| 2. | N.A. | Lamp Socket Assembly | 38. | N.A. | C.R. Rd. Hd. Machine Screw (8-32 x 1/4") |
| 3. | N.A. | Bracket (Photocell) | | | Lamp (Special 6 Volt) |
| 4. | N.A. | Photocell | 39. | 15-609567-000 | Divider |
| 5. | 15-614058-000 | N.A. Self Tapping C.R. B. Hd. Screw (#6 x 5/16") | 40. | N.A. | Self Tapping Sltd. B. Hd. Screw (#8 x 3/8") |
| 6. | 11-696159-000 | N.A. Capacitor | 41. | N.A. | Adjusting Plate |
| 7. | N.A. | Transformer | 42. | N.A. | Fill Block |
| 8. | N.A. | Buzzer | 43. | N.A. | Flat Hd. Wood Screw (#10 x 1-3/4") |
| 9. | N.A. | Timing Unit - Complete | 44. | N.A. | Fuse Cap |
| 10. | 11-609502-000 | N.A. Wire Connector | 45. | N.A. | Lamp/Socket/Connector Assembly |
| 11. | 11-018003-001 | Rd. Hd. Machine Screw (4-40 x 5/16") | 46. | N.A. | Internal Tooth Lock-washer (#4) |
| 12. | N.A. | Socket | 47. | 11-199000-001 | Plastic Knob |
| 13. | N.A. | Light Source Lead Assy. (84") | 48. | 32-014500-000 | N.A. Hex Nut (4-40) |
| 14. | N.A. | Cable Assembly w/o Connectors (45") | 49. | 11-125000-001 | Circuit Board Assembly (Index Nos. 55 thru 60) |
| 15. | 11-685127-000 | Fuseholder | 50. | N.A. | Timing Cam - thru Serial #6941 (Ten Pin) |
| 16. | N.A. | Fuse (1 Amp) | 51. | N.A. | Timing Cam - Serial #6942 and Up (Ten Pin) |
| 17. | 11-605128-000 | Cable Clamp | | N.A. | Note: Assemble with Latch 53-600018-000 |
| 18. | 11-678904-000 | Connector Plug (90°) | | | Timing Cam (Duck and Candle) |
| 19. | N.A. | Capacitor | 52. | N.A. | Latch Assembly - thru Serial #6941 |
| 20. | N.A. | Potentiometer | | N.A. | Latch Assembly - Serial #6942 and Up |
| 21. | 11-678903-000 | Receptacle (3 Contacts) | 53. | 32-201654-000 | Adaptor |
| 22. | 11-693001-000 | N.A. Silicon Diode | 54. | N.A. | Plug |
| 23. | N.A. | Control Unit Cover | 55. | *N.A. | Insulating Sleeve (Plastic Cover of Index No. 50) |
| 24. | 15-609641-000 | N.A. Resistor | 56. | 11-693008-000 | N.A. Diode |
| 25. | N.A. | Ambient Light Grid Assy. | 57. | 11-691125-000 | N.A. Resistor |
| 26. | N.A. | Connector (Male) | 58. | 11-696309-000 | N.A. Capacitor |
| 27. | N.A. | Connector (Female) | 59. | 17-860325-000 | N.A. Relay |
| 28. | N.A. | Solenoid | 60. | N.A. | Circuit Board Only |
| 29. | N.A. | Base Mounting Plate | | | |
| 30. | N.A. | Angle Bracket | | | |
| 31. | 11-190006-001 | Flat Washer (#10) | | | |
| 32. | 11-013076-001 | N.A. Sltd. Rd. Hd. Machine Screw (10-24 x 3/8") | | | |
| 33. | 32-200314-000 | N.A. Lens and Case Assembly | | | |
| 34. | 32-200317-000 | N.A. Special Hex Nut (1-20) | | | |
| 35. | 32-201558-000 | N.A. Lamp Socket Assy. w/ Wires | | | |
| 36. | N.A. | Lockwasher (#8) | | | |

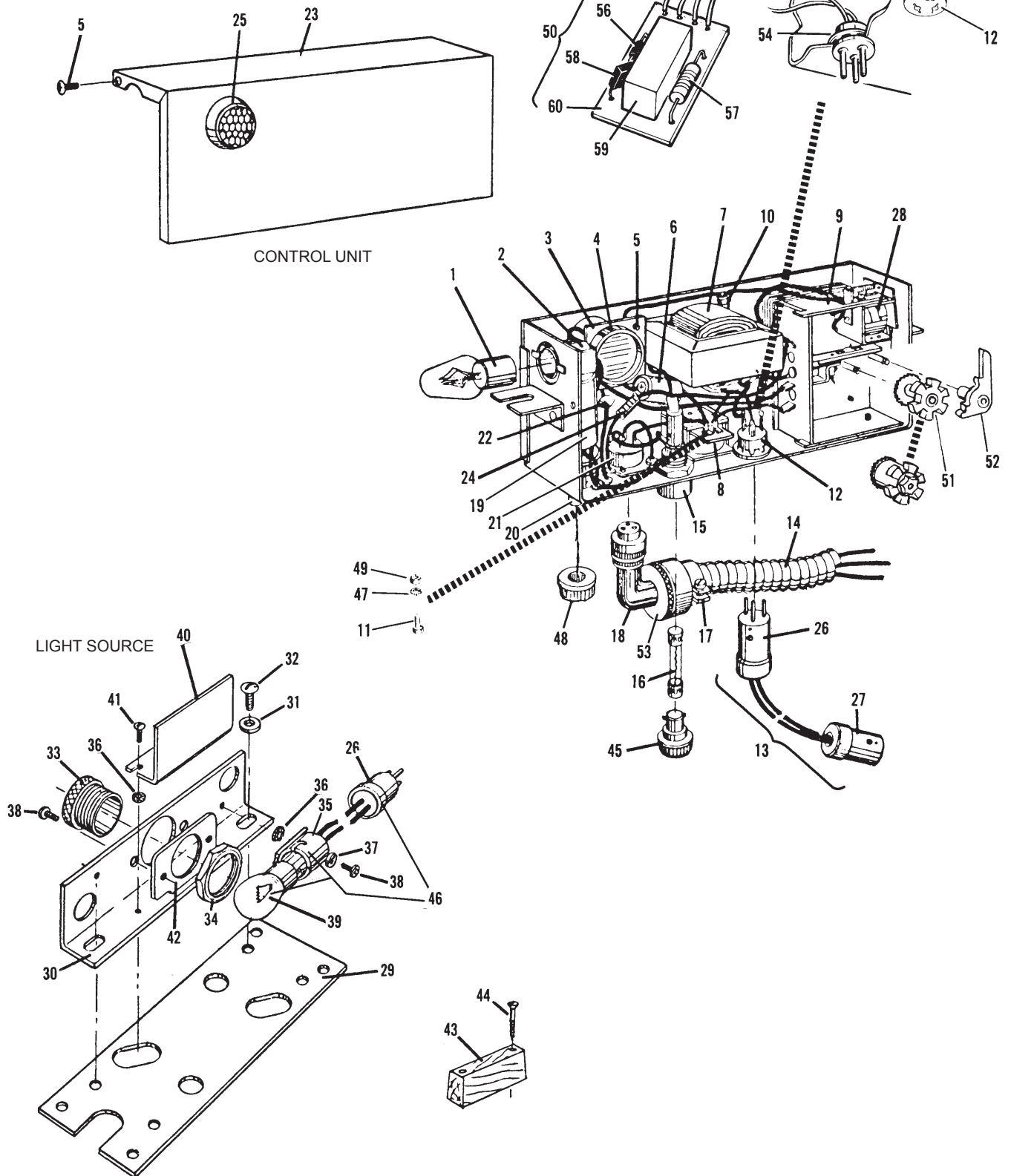
N.A. = No Longer Available

* Not Illustrated

NOTE: The Tel-E-Foul "Exchange Unit" is no longer available for sale. You can, however, have your inoperative unit repaired by Brunswick on a "time plus material" cost basis. For information regarding this program, please contact the regional office for your area. Your unit must be shipped freight prepaid to that office.

Tel-E-Foul Control Unit & Light Source

FOR USE WITH
AUTOMATIC SCORING



Tel-E-Foul Control Unit & Light Source

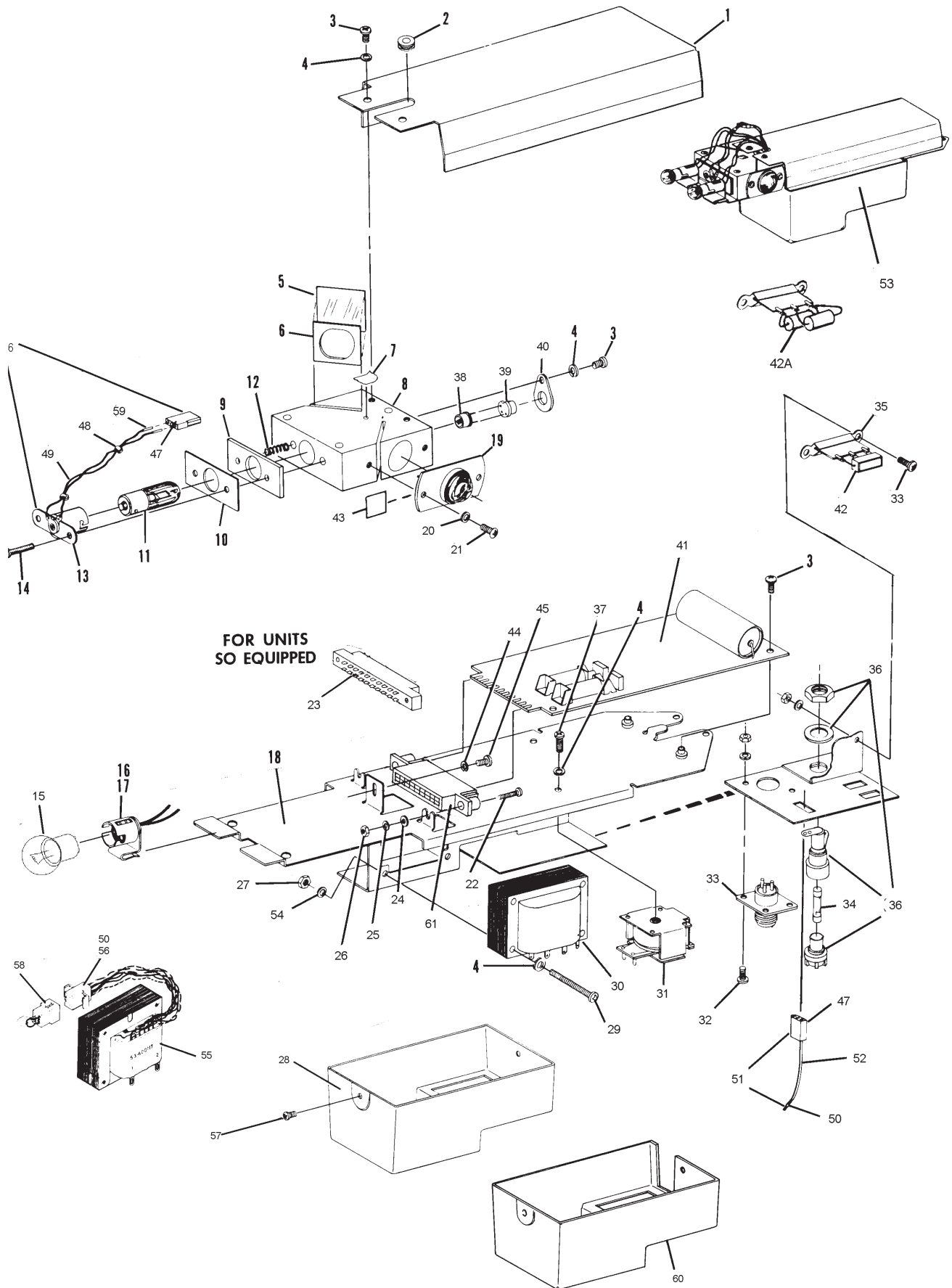
| Index | | | Index | | |
|-------|------------------|---|-------|---------------|---|
| No. | Part No. | Description | No. | Part No. | Description |
| 1. | N.A. | Top Cover | 35. | 11-619003-000 | Terminal Strip |
| 2. | 11-651019-000 | N.A. Grommet | 36. | 53-600056-000 | Fuseholder Assembly |
| 3. | 11-012270-001 | C.R. Pan Hd. Machine Screw (6-32 x 1/4") | 37. | 11-012272-001 | C.R. Pan Hd. Machine Screw (6-32 x 3/8") |
| 4. | 11-195006-001 | Lockwasher (#6) | 38. | 53-600059-000 | Photocell |
| 5. | 53-600063-000 | Mirror | 39. | 53-600060-000 | Photocell Mount |
| 6. | 53-600062-000 | Mirror Seal | 40. | 53-600067-000 | Photocell Bracket |
| 7. | *N.A. | Masking Tape (1") | 41. | 53-860215-000 | Circuit Board - Complete |
| 8. | N.A. | Housing Block | 42. | 11-692503-000 | N.A. Wire Bound Resistor |
| 9. | 53-600037-000 | N.A. Adjusting Seal | 42A. | N.A. | Resistor |
| 10. | 53-600033-000 | N.A. Cover Plate | 43. | 53-600094-000 | N.A. Lens Mask |
| 11. | 11-675514-002 | Lamp 12 Volt (#1876) | 44. | 11-195008-001 | Lockwasher (#8) |
| 12. | 53-600105-000 | Compression Spring | 45. | 11-012307-001 | N.A. C.R. Pan Hd. Machine Screw (8-32 x 5/16") |
| 13. | 53-600096-000 | Socket Assembly w/o Wires | | 11-012057-001 | R.O. Screw (8-32 x 5/16") |
| 14. | 11-012277-001 | C.R. Pan Hd. Machine Screw (6-32 x 3/4") | 46. | 53-600097-000 | Socket and Connector Assy. |
| 15. | 11-675513-002 | Lamp (#90 Clear) | 47. | 11-680201-000 | Connector Housing (3 Contacts) |
| 16. | 53-600040-002 | L.H. Socket Assy. w/Wires | 48. | 11-603108-000 | N.A. Cable Tie |
| 17. | 53-600040-003 | R.H. Socket Assy. w/Wires | 49. | N.A. | Wire w/Pin - White/Gray (6") |
| 18. | 53-600029-000 | N.A. Chassis Assembly | | N.A. | Wire w/Pin - White/Blue (6") |
| 19. | 53-600047-000 | N.A. Lens Assembly | 50. | 11-680301-000 | Terminal Pin |
| 20. | 11-190002-001 | Flat Washer (#6) | 51. | 53-600093-000 | N.A. Shorting Plug Assembly |
| 21. | 11-012271-001 | C.R. Pan Hd. Machine Screw (6-32 x 5/16") | 52. | N.A. | Wire w/Pin - White/Gray (2-3/4") |
| 22. | 11-107006-000 | N.A. Sltd. Rd. Hd. Machine Screw (4-40 x 1/2") | 53. | N.A. | Tel-E-Foul - Complete (115V 50/60 Hz) |
| 23. | 53-600058-000 | N.A. Connector (for Units So Equipped) | | 53-860806-003 | N.A. Tel-E-Foul - Complete (230Vt 50/60 Hz) |
| 24. | 11-190000-001 | Flat Washer (#4) | | N.A. | Tel-E-Foul - Complete (115V 50/60 Hz Canada Only) |
| 25. | N.A. | Lockwasher (#4) | 54. | 11-198001-001 | External Tooth Lockwasher (#6) |
| 26. | 11-125000-001 | Hex Nut (4-40) | 55. | 53-600117-000 | Transformer Assembly |
| 27. | 11-125001-001 | Hex Nut (6-32) | 56. | 11-680207-000 | Connector Housing (6 Contacts) |
| 28. | N.A. | Cover (Use Index #61, 53-600155-002) | 57. | 11-017521-001 | N.A. Sems Sltd. Rd. Hd. Screw (6-32 x 5/16") |
| 29. | 11-012281-001 | N.A. C.R. Pan Hd. Machine Screw (6-32 x 1-1/4") | 58. | 53-600119-002 | N.A. Plug Assembly (100V) |
| 30. | 53-600055-000 | N.A. Transformer (for Units So Equipped) | | 53-600119-003 | N.A. Plug Assembly (115V) |
| 31. | 53-600066-000 | Buzzer | | 53-600119-004 | N.A. Plug Assembly (200V) |
| 32. | 11-012253-001 | C.R. Pan Hd. Machine Screw (4-40 x 5/16") | | 53-600119-005 | N.A. Plug Assembly (230V) |
| 33. | 11-678903-000 | Receptacle (3 Contacts) | 59. | 11-680306-000 | Terminal |
| 34. | ***11-685012-000 | Fuse (AGC-1/2) | 60. | 53-600155-002 | N.A. Cover |
| | ***11-685014-000 | N.A. Fuse (AGC-1/4) | 61. | 11-696805-000 | N.A. Connector |
| | ***11-685015-000 | N.A. Fuse (AGC-3/8) | | | |
| | ****N.A. | Fuse (AGC-3/16) | | | |

N.A. = No Longer Available
R.O = Replacement Option

- * Purchase Locally
- ** Not Illustrated
- *** Used on Tel-E-Foul 53-860806-002 and 53-860806-003
- **** Used on Tel-E-Foul 53-600025-000

NOTE: Rebuilt circuit board assemblies are available on a direct exchange basis. Your defective circuit board assembly should be packaged along with a copy of the Brunswick Order Form (900.6) to identify your center and shipped to:
Brunswick Corporation
Electronic Repair Center
525 West Laketon Avenue
Muskegon, MI 49443

"2000" Tel-E-Foul Control Unit



"2000" Tel-E-Foul Control Unit

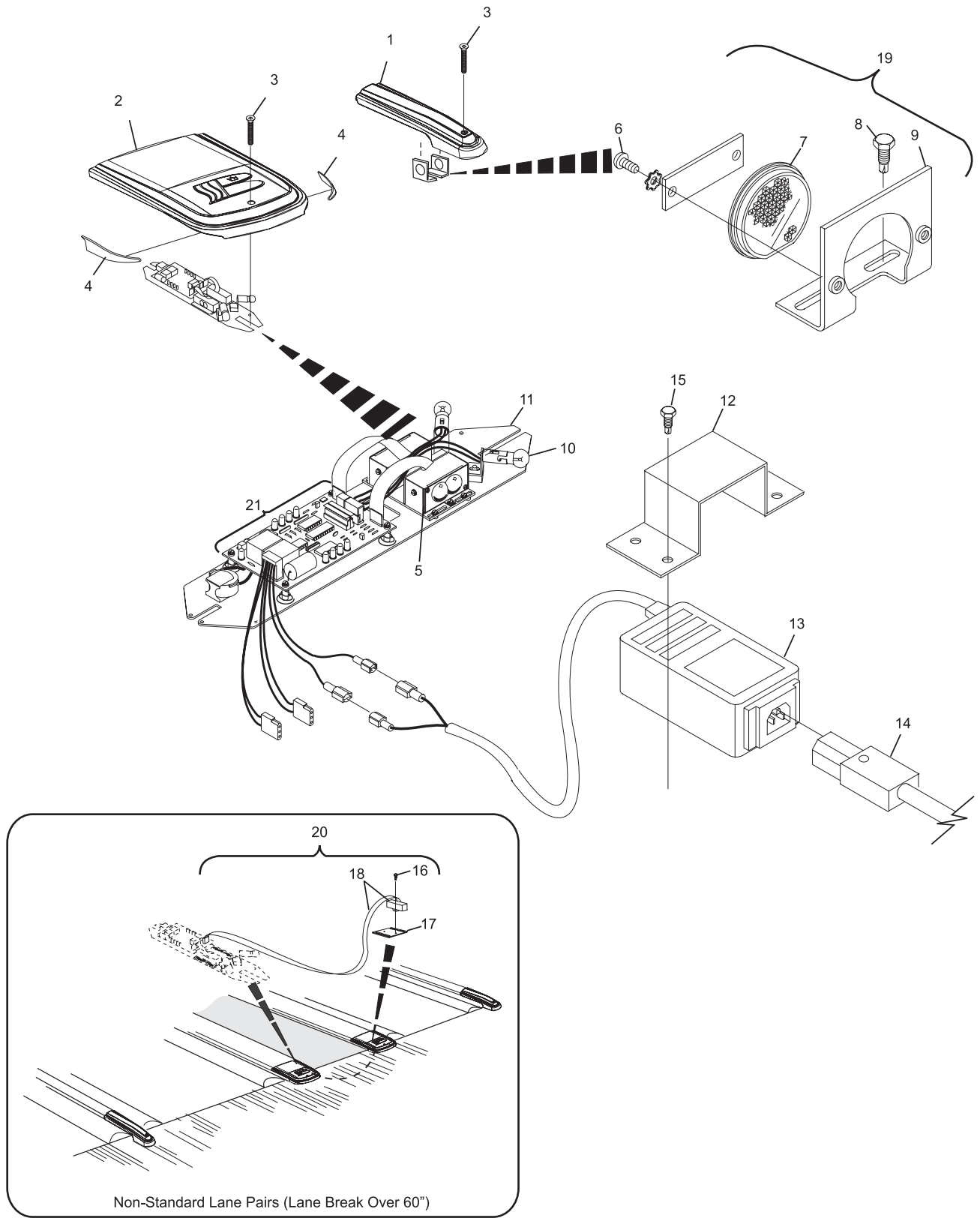
Index

| No. | Part No. | | Description |
|------------|-----------------|------|--|
| 1. | 84-860551-000 | N.A. | Division (Tel-E-Foul) Cover, |
| | 84-860602-000 | R.O. | Frameworkx Tel-E-Foul Cover Pkg. |
| 2. | 84-860550-000 | N.A. | Return (Tele-E-Foul) Cover, Pkg. |
| | 84-860603-000 | R.O. | Return Cover Pkg. |
| 3. | 11-040165-001 | N.A. | Flat Head Robertson Screw (#14-3-1/2") |
| 4. | 84-200249-000 | | Lens Cover Set (right-hand and left-hand) |
| 5. | 53-600177-003 | N.A. | Standard Sensor Assembly |
| 6. | N.A. | | Pan Head Screw (#6-32 x 5/16") |
| 7. | N.A. | | Reflector |
| 8. | N.A. | | Drill Point Screw (#8 x 1-1/4") |
| 9. | N.A. | | Reflector to Division Mounting Bracket |
| 10. | 11-675513-002 | | Lamp - 12V (#9G clear) |
| 11. | 53-861068-000 | N.A. | Tel-E-Foul Assembly, |
| 12. | N.A. | | Transformer Mounting Bracket |
| 13. | 53-860326-230 | N.A. | Tele-E-Foul Transformer - 230VAC, 50 Hz |
| | 53-860327-115 | N.A. | Tele-E-Foul Transformer - 115VAC, 60 Hz |
| | 53-860326-100 | | Tele-E-Foul Transformer - 100VAC, 50 Hz |
| 14. | 53-860326-001 | N.A. | Power Cord |
| 15. | N.A. | | Drill Point Screw (#8 x 3/4") |
| 16. | N.A. | | Drill Point Screw (#6-32 x 1-1/4") |
| 17. | 53-600177-002 | N.A. | Sensor Mounting Plate |
| | 53-600181-002 | R.O. | Sensor Mounting Plate |
| 18. | 53-861069-002 | N.A. | Remote Sensor Cable Assembly (120") |
| 19. | 53-860299-000 | | Reflector and Bracket Assembly |
| 20. | 53-861069-000 | | Remote Sensor Kit (includes items numbers 16, 17, and 18) |
| 21. | 53-600179-001 | N.A. | Tel-E-Foul PCB |
| | 53-600181-005 | R.O. | Tel-E-Foul PCB |

N.A. = No Longer Available

R.O. = Replacement Option

Frameworkx Tel-E-Foul



Frameworx Tel-E-Foul

Intentionally Blank Page