

Section C

BOWLER'S AREA

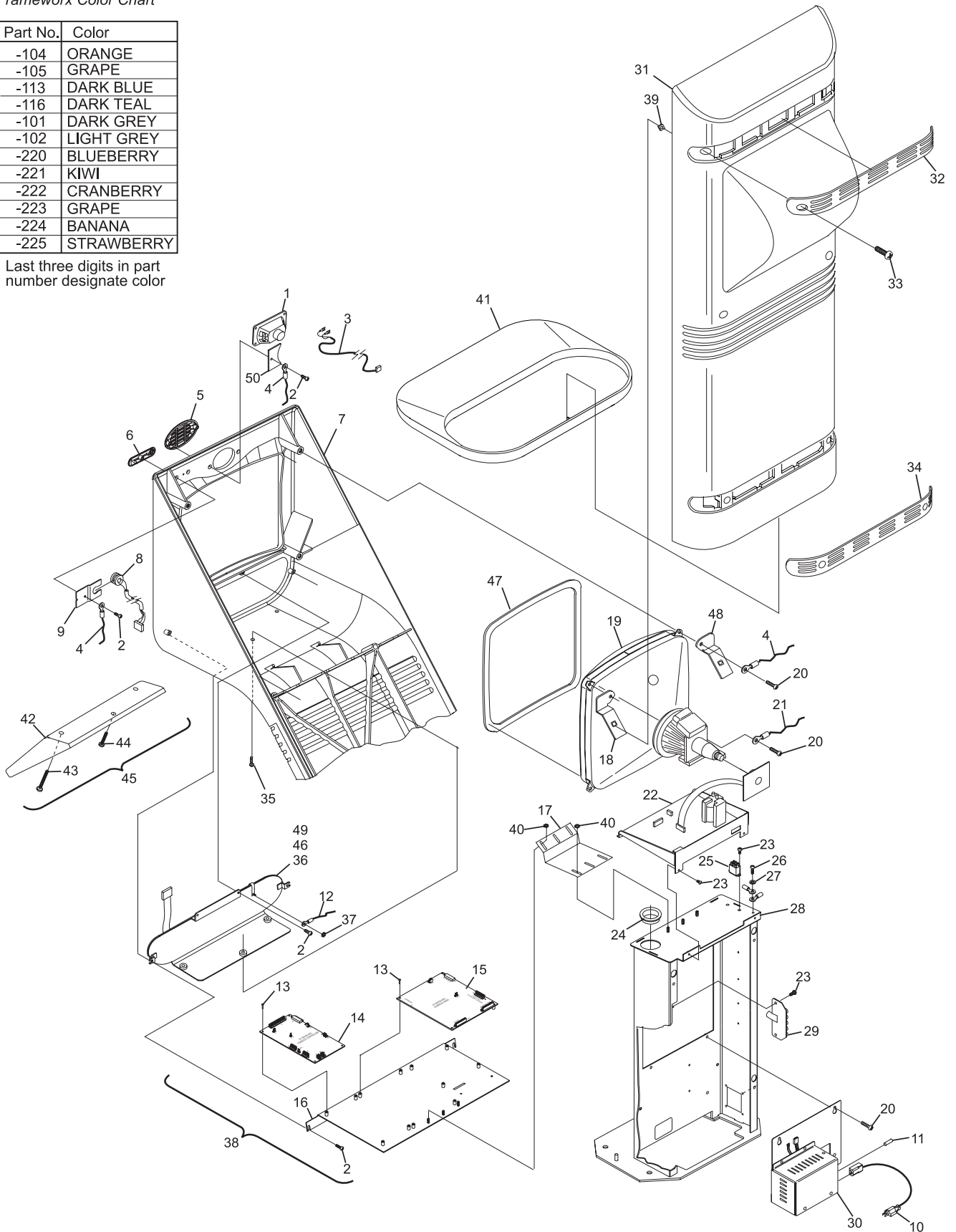
Index			Index		
No.	Part No.	Description	No.	Part No.	Description
1.	11-690508-000	Speaker	26.	11-012058-001	Pan Hd. C.R. W/Lockwasher (#8-32 x 3/8")
2.	11-012022-001	Pan Hd. C.R. Screw (#6-32 x 3/8")	27.	11-019004-002	Plain Washer (#8)
3.	57-300735-000	Speaker Cable Assembly (refer to Cable section for further breakdown)	28.	57-300075-000	Power Chassis Weldment
4.	57-300287-000	Ground Cable Assembly	29.	57-861187-000	Adjustment PCB w/Cable
5.	57-300068-000	Speaker Vent Cover	30.	57-300278-000	Power Panel Assembly
6.	*57-860970-xxx	Microphone Vent Cover (refer to Framework Color Chart below)	31.	57-300065-000	Rear Cover
7.	57-300064-000	Front Cover	32.	57-300067-000	Upper Vent
8.	57-300028-000	Microphone Cable Assembly	33.	11-012385-000	Pan Hd. C.R. Screw (1/4-20 x 3/4")
9.	57-300201-000	Microphone Bracket	34.	57-300066-000	Lower Vent
10.	57-300220-000	Power Supply Cord	35.	11-014148-002	Flat Hd. Screw (1/4-20 x 3/4")
11.	57-861635-000	Fuse, 2.0A, 250V, Slow Blow (100/120VAC)	36.	57-861126-000	Colored Softkey Keyboard-English
	57-861636-000	Fuse, 1.0A, 250V, Slow Blow (220/240VAC)		57-861121-000	Colored Softkey Keyboard-Chinese
12.	57-300281-000	Ground Cable Assembly		57-861129-000	Colored Softkey Keyboard-Korean
13.	11-012021-001	Pan Hd. C.R. Screw (#6-32 x 5/16")	37.	11-176005-001	Keps Nut (#6-32)
14.	57-861271-4xx	Console Controller PCB (Brunswick Repair/Exchange)	38.	N.A.	Console Keyboard Interface Assembly
15.	57-861266-4xx	Console Audio PCB (Brunswick Repair/Exchange)	39.	11-179021-000	Speed Grip
16.	57-300161-000	Keyboard Interface Bracket	40.	11-176007-001	Keps Nut (#8-32)
17.	57-300292-000	ESD Shield Bracket	41.	57-300070-000	Foot Cover
18.	57-300086-002	Monitor Rear Bracket (left-hand)	42.	57-860916-000	Writing Surface
19.	**57-861189-000	Monitor, 13" - Interchangeable	43.	11-012391-001	Pan Head Screw (1/4-20 x 1-3/4")
	**57-861645-000	Monitor, 13" - only for use with 300 mA Chassis Part No. 57-300895-000	44.	11-012389-000	Pan Head Screw (1/4-20 x 1-1/4")
	**57-861630-000	Monitor, 13" - only for use with 600 mA Chassis Part No. 57-300831-001	45.	57-860916-000	Framework Writing Surface Kit (Optional)
20.	11-017287-001	Round Hd. C.R. Screw (1/4-20 x 3/4")	46.	57-861318-000	Softkey Color Labels (Not Illustrated)
21.	57-300286-000	Ground Cable Assembly	47.	11-679620-000	Monitor Foam Gasket (1/8" x 1/4" x 39")
22.	57-861305-000	Monitor Chassis - 300 Ma For use with monitors manufactured before January 2000	48.	57-300086-001	Monitor Rear Bracket (right-hand)
	57-861631-000	Monitor Chassis - 600 mA	49.	57-861595-000	Softkey Keyboard -English (Glow In The Dark)
	57-861646-000	Monitor Chassis - 300 mA	50.	57-300731-000	Bracket - Speaker
23.	11-012003-001	Pan Hd. C.R. w/Lockwasher (#4-40 x 5/16")	<i>N.A. = No Longer Available</i>		
24.	11-611608-000	Insulator	<i>* = See color chart next page.</i>		
25.	11-672522-000	Relay (12 VDC DPST)	<i>** = Chassis part numbers usually located on rear of chassis, right-hand side.</i>		
Associated Interconnected Cables					
			57-300003-000	Console Ethernet	
			57-300022-000	Pinsetter Interface Local LAN	
			57-300023-000	Pinsetter Interface 28VAC	
			57-300025-000	Console Local LAN	
			57-300005-000	Console Video Out	
			57-300012-000	Primary to Secondary Audio	

Secondary Keyboard Console Laneworx & Powerworx

* Framework Color Chart

Part No.	Color
-104	ORANGE
-105	GRAPE
-113	DARK BLUE
-116	DARK TEAL
-101	DARK GREY
-102	LIGHT GREY
-220	BLUEBERRY
-221	KIWI
-222	CRANBERRY
-223	GRAPE
-224	BANANA
-225	STRAWBERRY

Last three digits in part number designate color



**Secondary Keyboard Console
Laneworx & Powerworx**

Index No.	Part No.	Description	Index No.	Part No.	Description
1.	11-690508-000	Speaker	37.	11-176005-001	Keps Nut (#6-32)
2.	11-012022-001	Pan Hd. C.R. Screw (#6-32 x 3/8")	38.	N.A.	Console Keyboard Interface Assembly
3.	57-300735-000	Speaker Cable Assembly	39.	11-179021-000	Speed Grip (1/4-20)
4.	57-300287-000	Ground Cable Assembly	40.	57-300128-000	Power Chassis Weldment
5.	57-300068-000	Speaker Vent Cover	41.	57-300266-000	Hard Drive Mount Bracket
6.	*57-860970-xxx	Microphone Vent Cover (Refer to Framework Color Chart below)	42.	57-861190-4xx	Hard Drive w/Mount Bracket
7.	57-300064-000	Front Cover	43.	57-861306-000	Transformer/AC Power Receptacle Assembly
8.	57-300028-000	Microphone Cable Assembly	44.	57-300220-000	Transformer Power Cord
9.	57-300201-000	Microphone Bracket	45.	11-017140-001	Screw (#8-32 x 2-3/4")
10.	68-100781-000	Switch Button	46.	57-300212-4xx	Power Chassis Assembly
11.	57-861235-000	Fuse, 2.0A, 250V, Slow Blow (100/120VAC)	47.	11-017287-001	Screw (1/4-20 x 3/4")
	57-861236-000	Fuse, 1.0A, 250V, Slow Blow (220/240VAC)	48.	11-012021-001	Screw (#6-32 x 1/4")
12.	57-300281-000	Ground Cable Assembly	49.	57-861195-000	486 CPU PCB Assembly w/4 MB D-Ram
13.	11-012021-001	Pan Hd. C.R. Screw (#6-32 x 5/16")	50.	57-300555-000	D-Ram 4 Meg SIMM Module
14.	57-861271-4xx	Console Controller PCB (Brunswick Repair/Exchange)	51.	57-861192-4xx	LAN Card PCB Assembly
15.	57-861266-4xx	Console Audio PCB (Brunswick Repair/Exchange)	52.	11-012520-001	Screw (#6-32 x 1/4")
16.	57-300161-000	Keyboard Interface Bracket	53.	57-861261-4xx	I/O PCB (Brunswick Repair/Exchange)
17.	57-300292-000	ESD Shield Bracket	54.	57-861167-4xx	Overhead Remote Video PCB Powerworx (Brunswick Repair Exchange)
18.	57-300086-002	Monitor Rear Bracket (left-hand)	55.	57-861264-4xx	Console Video PCB (Brunswick Repair/Exchange)
19.	**57-861189-000	Monitor, 13" - Interchangeable	56.	57-300262-000	Power Supply Cord
	**57-861645-000	Monitor, 13" - only for use with 300 mA Chassis Part No. 57-300895-000	57.	11-697626-000	Card Guide
	**57-861630-000	Monitor, 13" - only for use with 600 mA Chassis Part No. 57-300831-001	58.	11-176007-001	Keps Nut (#8-32)
20.	11-017287-001	Round Head C.R. Screw (1/4-20 x 3/4")	59.	57-300070-000	Foot Cover
21.	57-300048-000	Ground Cable Assembly	60.	57-300071-000	Writing Surface
22.	57-861305-000	Monitor Chassis - 300 Ma For use with monitors manufactured before January 2000	61.	11-012391-000	Pan Head Screw (1/4-20 x 1-3/4")
	57-861631-000	Monitor Chassis - 600 mA	62.	57-860916-000	Framework Writing Surface Kit (Optional)
	57-861646-000	Monitor Chassis - 300 mA	63.	11-012389-000	Pan Head Screw (1/4-20 x 1-1/4")
23.	11-012003-001	Pan Hd. C.R. Screw w/Lockwasher (#4-40 x 5/16")	64.	57-861211-000	Terminator (Audio PCB)
24.	11-611608-000	Insulator	65.	57-300387-000	Switch Bracket
25.	11-672522-000	Relay (12 VDC DPST)	66.	57-861318-000	Softkey Color Labels (Not Illustrated)
26.	11-012058-001	Pan Hd. C.R. Screw w/Lockwasher (#8-32 x 3/8")	67.	11-697002-000	Transformer Cover
27.	11-019004-002	Plain Washer (#8)	68.	57-861386-000	Motherboard Reset Cable Assembly
28.	57-300075-001	Frame Assembly	69.	11-185378-000	PCB Locking Support
29.	57-861187-000	Adjustment PCB w/Cable	70.	57-861201-000	Terminator - Video
30.	57-300268-000	Power Supply Assembly	71.	11-679620-000	Monitor Foam Gasket (1/8" x 1/4" x 39")
31.	57-300065-000	Rear Cover	72.	57-860982-000	Power Supply Switch
32.	57-300067-000	Upper Vent	73.	57-300086-001	Monitor Rear Bracket (right-hand)
33.	11-012385-000	Pan Hd. C.R. Screw (1/4-20 x 3/4")	74.	57-861595-000	Colored Softkey Keyboard - English (Glow in the Dark)
34.	57-300066-000	Lower Vent	75.	57-300371-000	Bracket - Speaker
35.	11-014148-002	Flat Hd. Screw (1/4-20 x 3/4")			
36.	57-861126-000	Colored Softkey Keyboard-English			
	57-861121-000	Colored Softkey Keyboard-Chinese			
	57-861129-000	Colored Softkey Keyboard-Korean			

N.A. = No Longer Available

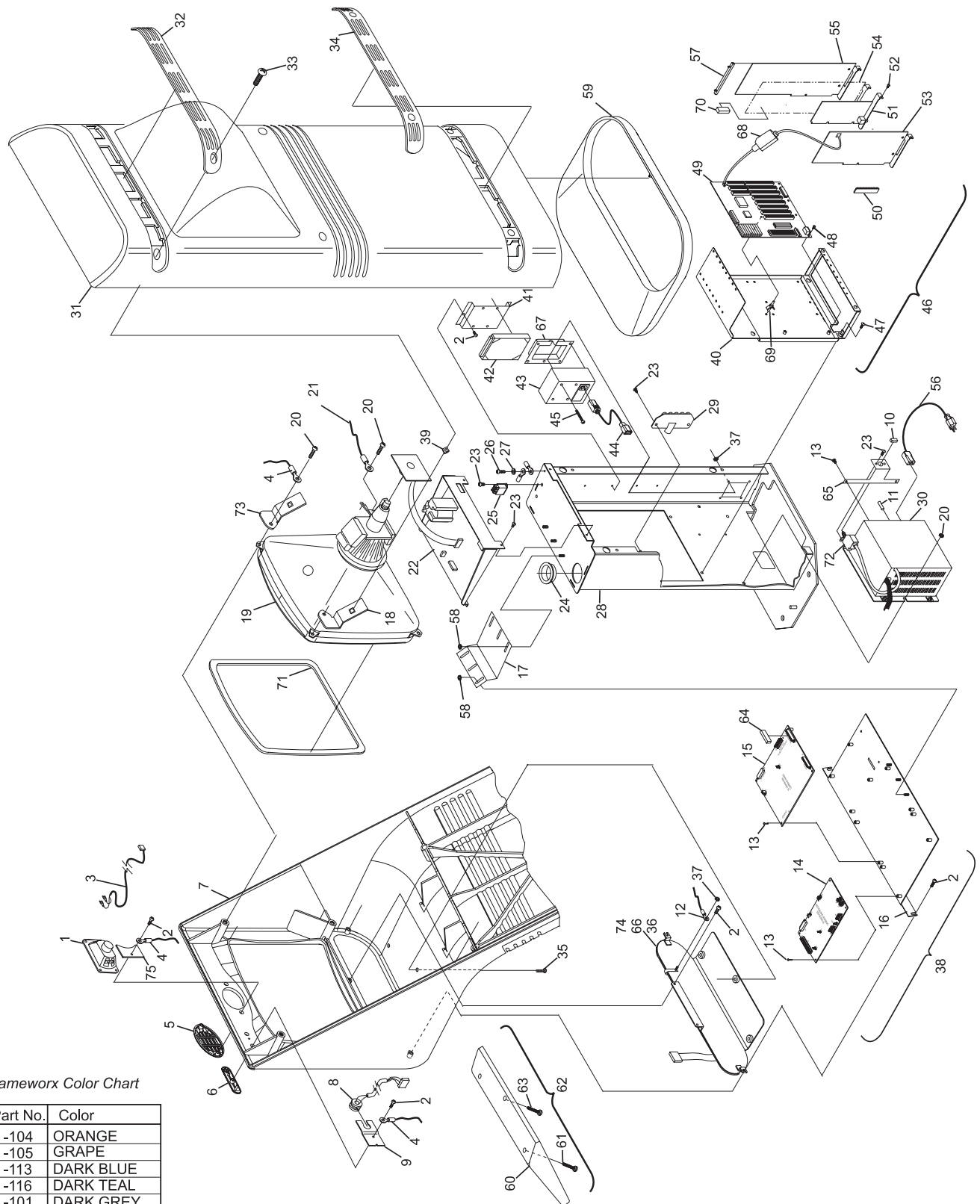
* = See color chart next page.

** = Chassis part numbers usually located on rear of chassis, right-hand side.

Associated Interconnected Cables

57-300003-000	Console Ethernet
57-300022-000	Pinsetter Interface Local LAN
57-300023-000	Pinsetter Interface 28VAC
57-300025-000	Console Local LAN
57-300005-000	Console Video Out
57-300012-000	Primary to Secondary Audio
27-619054-000	Global Audio
27-609857-000	Global Video

Primary Keyboard Console Laneworx and Powerworx



* Framework Color Chart

Part No.	Color
-104	ORANGE
-105	GRAPE
-113	DARK BLUE
-116	DARK TEAL
-101	DARK GREY
-102	LIGHT GREY
-220	BLUEBERRY
-221	KIWI
-222	CRANBERRY
-223	GRAPE
-224	BANANA
-225	STRAWBERRY

Last three digits in part number designate color

Primary Keyboard Console Laneworx and Powerworx

Index No.	Part No.	Description	Index No.	Part No.	Description
1.	11-690508-000	Speaker	43.	57-861306-000	Transformer/AC Power Receptacle Assembly
2.	11-012022-001	Pan Hd. C.R. Screw (#6-32 x 3/8")	44.	57-300220-000	Transformer Power Cord
3.	57-300735-000	Speaker Cable Assembly	45.	11-017140-001	Screw (#8-32 x 2-3/4")
4.	57-300287-000	Ground Cable Assembly	46.	57-300212-4xx	Power Chassis Assembly
5.	57-300068-000	Speaker Vent Cover	47.	11-017287-001	Screw (1/4-20 x 3/4")
6.	*57-860970-xxx	Microphone Vent Cover (Refer to Frameworx Color Chart below)	48.	11-012021-001	Screw (#6-32 x 1/4")
7.	57-300064-000	Front Cover	49.	57-861195-000	486 CPU PCB Assembly w/4 MB D-Ram
8.	57-300028-000	Microphone Cable Assembly	50.	57-300555-000	D-Ram 4 Meg SIMM Module
9.	57-300201-000	Microphone Bracket	51.	57-861192-4xx	LAN Card PCB Assembly
10.	68-100781-000	Switch Button	52.	11-012520-001	Screw (#6-32 x 1/4")
11.	57-861235-000	Fuse, 2.0A, 250V, Slow Blow (100/120VAC)	53.	57-861261-4xx	I/O PCB (Brunswick Repair/Exchange)
	57-861236-000	Fuse, 1.0A, 250V, Slow Blow (220/240VAC)	54.	57-861167-4xx	Overhead Remote Video PCB Powerworx (Brunswick Repair Exchange)
12.	57-300281-000	Ground Cable Assembly	55.	57-861264-4xx	Console Video PCB (Brunswick Repair/Exchange)
13.	11-012021-001	Pan Hd. C.R. Screw (#6-32 x 5/16")	56.	57-300262-000	Power Supply Cord
14.	57-861271-4xx	Console Controller PCB (Brunswick Repair/Exchange)	57.	11-697626-000	Card Guide
15.	57-861266-4xx	Console Audio PCB (Brunswick Repair/Exchange)	58.	11-176007-001	Keps Nut (#8-32)
16.	57-300161-000	Keyboard Interface Bracket	59.	57-300070-000	Foot Cover
17.	57-300292-000	ESD Shield Bracket	60.	57-300071-000	Writing Surface
18.	57-300086-002	Monitor Rear Bracket (left-hand)	61.	11-012391-000	Pan Head Screw (1/4-20 x 1-3/4")
19.	57-861189-000	Monitor (13")	62.	57-860916-000	Frameworx Writing Surface Kit (Optional)
20.	11-017287-001	Round Head C.R. Screw (1/4-20 x 3/4")	63.	11-012389-000	Pan Head Screw (1/4-20 x 1-1/4")
21.	57-300048-000	Ground Cable Assembly	64.	57-300192-4xx	Console Option PCB
22.	57-861305-000	Monitor Chassis - 300 Ma For use with monitors manufactured before January 2000	65.	57-300387-000	Switch Bracket
	57-861631-000	Monitor Chassis - 600 mA	66.	57-300086-001	Monitor Rear Bracket (right-hand)
	57-861646-000	Monitor Chassis - 300 mA	67.	11-697002-000	Transformer Cover
23.	11-012003-001	Pan Hd. C.R. Screw w/Lockwasher (#4-40 x 5/16")	68.	57-861386-000	Motherboard Reset Cable Assembly
24.	11-611608-000	Insulator	69.	11-185378-000	PCB Locking Support
25.	11-672522-000	Relay (12 VDC DPST)	70.	57-861201-000	Terminator - Video
26.	11-012058-001	Pan Hd. C.R. Screw w/Lockwasher (#8-32 x 3/8")	71.	11-679620-000	Monitor Foam Gasket (1/8" x 1/4" x 39")
27.	11-019004-002	Plain Washer (#8)	72.	57-860982-000	Power Supply Switch
28.	57-300075-001	Frame Assembly	73.	57-300377-000	Touch Screen Interface Box
29.	57-861187-000	Adjustment PCB w/Cable	74.	11-012279-001	Pan Hd. C.R. Screw (#6-32 x 1")
30.	57-300268-000	Power Supply Assembly	75.	57-300100-000	Rear Bracket Spacer
31.	57-300065-000	Rear Cover	76.	N.A.	Touchscreen only
32.	57-300067-000	Upper Vent	77.	**57-861632-000	Monitor, 13" with Touchscreen Assembly
33.	11-012385-000	Pan Hd. C.R. Screw (1/4-20 x 3/4")			Monitors before January 2000
34.	57-300066-000	Lower Vent		**57-861632-000	Monitor, 13" with Touchscreen Assembly
35.	11-014148-002	Flat Hd. Screw (1/4-20 x 3/4")			only for use with 600 mA Chassis Part No. 57-300831-001
36.	57-300369-000	Blank Keyboard Assembly with Mount Bracket		**57-861647-000	Monitor, 13" with Touchscreen Assembly
37.	11-176005-001	Keps Nut (#6-32)			only for use with 300 mA Chassis Part No. 57-300895-000
38.	N.A.	Console Keyboard Interface Assembly			
39.	11-179021-000	Speed Grip (1/4-20)			
40.	57-300128-000	Power Chassis Weldment			
41.	57-300266-000	Hard Drive Mount Bracket			
42.	57-861190-4xx	Hard Drive w/Mount Bracket			

N.A. = No Longer Available

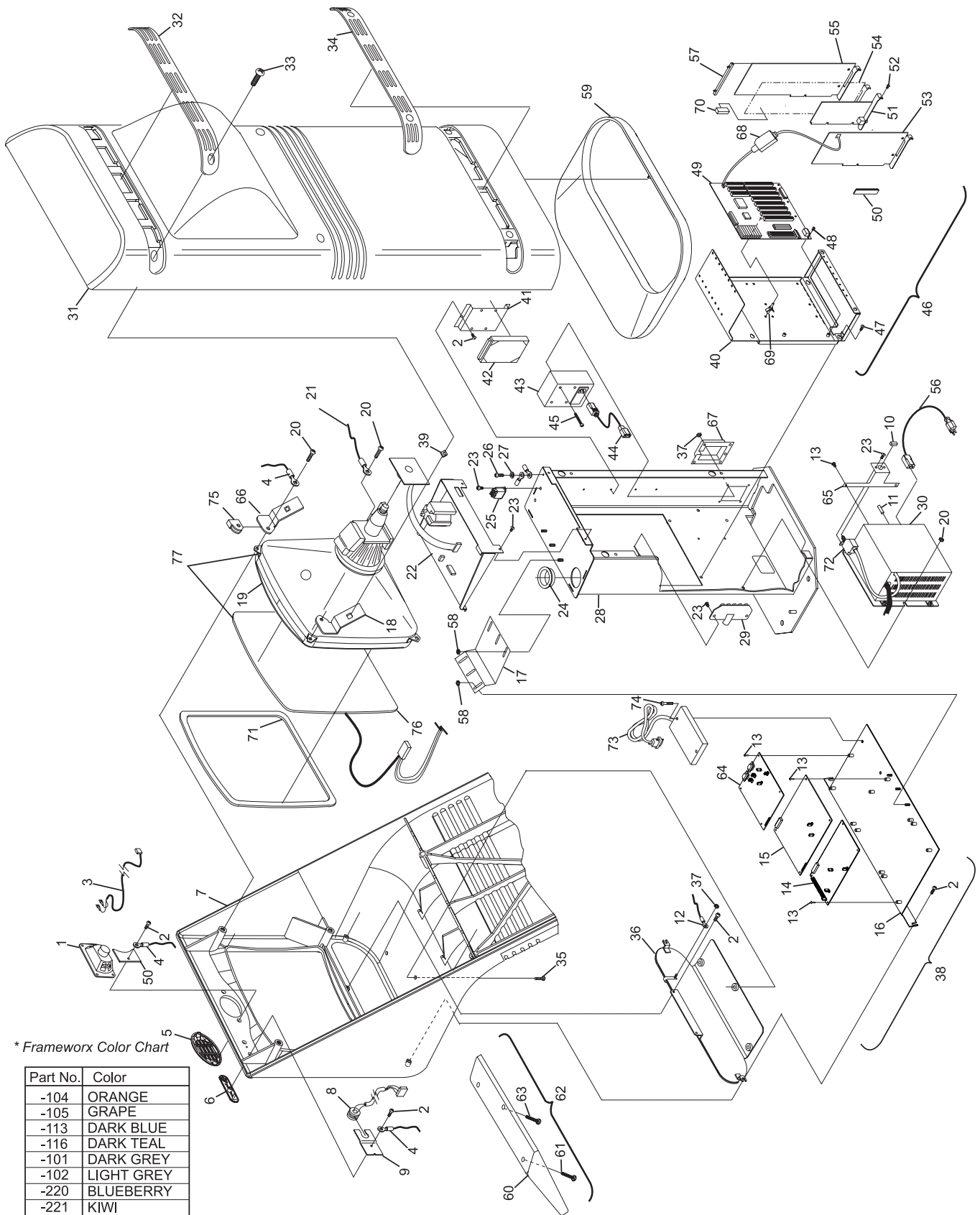
* = See color chart next page.

** = Chassis part numbers usually located on rear of chassis, right-hand side.

Associated Interconnected Cables

57-300003-000	Console Ethernet
57-300022-000	Pinsetter Interface Local LAN
57-300023-000	Pinsetter Interface 28VAC
57-300025-000	Console Local LAN
57-300005-000	Console Video Out
57-300012-000	Primary to Secondary Audio
27-619054-000	Global Audio
27-609857-000	Global Video

Primary Touchworx Console



* Framework Color Chart

Part No.	Color
-104	ORANGE
-105	GRAPE
-113	DARK BLUE
-116	DARK TEAL
-101	DARK GREY
-102	LIGHT GREY
-220	BLUEBERRY
-221	KIWI
-222	CRANBERRY
-223	GRAPE
-224	BANANA
-225	STRAWBERRY

Last three digits in part number designate color

Primary Touchworx Console

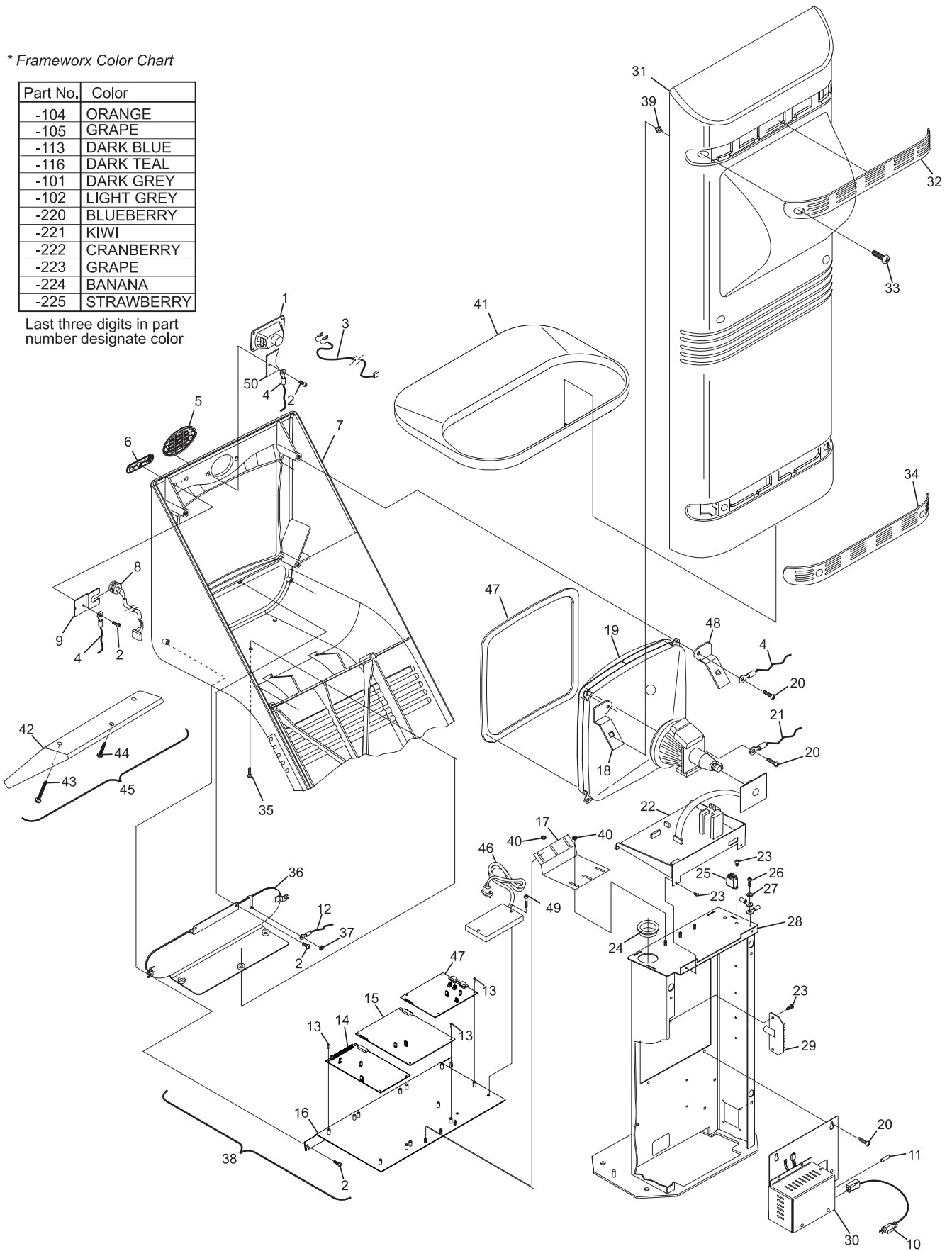
Index			Index		
No.	Part No.	Description	No.	Part No.	Description
1.	11-690508-000	Speaker	23.	11-012003-001	Pan Hd. C.R. w/Lockwasher (#4-40 x 5/16")
2.	11-012022-001	Pan Hd. C.R. Screw (#6-32 x 3/8")	24.	11-611608-000	Insulator
3.	57-300735-000	Speaker Cable Assembly (refer to Cable section for further breakdown)	25.	11-672522-000	Relay (12 VDC DPST)
4.	57-300287-000	Ground Cable Assembly	26.	11-012058-001	Pan Hd. C.R. W/Lockwasher (#8-32 x 3/8")
5.	57-300068-000	Speaker Vent Cover	27.	11-019004-002	Plain Washer (#8)
6.	*57-860970-xxx	Microphone Vent Cover (refer to Framework Color Chart below)	28.	57-300075-000	Power Chassis Weldment
7.	57-300064-000	Front Cover	29.	57-861187-000	Adjustment PCB w/Cable
8.	57-300028-000	Microphone Cable Assembly	30.	57-300278-000	Power Panel Assembly
9.	57-300201-000	Microphone Bracket	31.	57-300065-000	Rear Cover
10.	57-300220-000	Power Supply Cord	32.	57-300067-000	Upper Vent
11.	57-861235-000	Fuse, 2.0A, 250V, Slow Blow (100/120VAC)	33.	11-012385-000	Pan Hd. C.R. Screw (1/4-20 x 3/4")
	57-861236-000	Fuse, 1.0A, 250V, Slow Blow (220/240VAC)	34.	57-300066-000	Lower Vent
12.	57-300281-000	Ground Cable Assembly	35.	11-014148-002	Flat Hd. Screw (1/4-20 x 3/4")
13.	11-012021-001	Pan Hd. C.R. Screw (#6-32 x 5/16")	36.	57-300369-000	Black Keyboard Assembly with Mount Bracket
14.	57-861271-4xx	Console Controller PCB (Brunswick Repair/Exchange)	37.	11-176005-001	Keys Nut (#6-32)
15.	57-861266-4xx	Console Audio PCB (Brunswick Repair/Exchange)	38.	N.A.	Console Keyboard Interface Assembly
16.	57-300161-000	Keyboard Interface Bracket	39.	11-179021-000	Speed Grip
17.	57-300292-000	ESD Shield Bracket	40.	11-176007-001	Keys Nut (#8-32)
18.	57-300086-002	Monitor Rear Bracket (left-hand)	41.	57-300070-000	Foot Cover
19.	**57-861632-000	Monitor, 13" with Touchscreen Assembly Monitors before January 2000	42.	57-860916-000	Writing Surface
	**57-861632-000	Monitor, 13" with Touchscreen Assembly only for use with 600 mA Chassis Part No. 57-300831-001	43.	11-012391-001	Pan Head Screw (1/4-20 x 1-3/4")
	**57-861647-000	Monitor, 13" with Touchscreen Assembly only for use with 300 mA Chassis Part No. 57-300895-000	44.	11-012389-000	Pan Head Screw (1/4-20 x 1-1/4")
20.	11-017287-001	Round Hd. C.R. Screw (1/4-20 x 3/4")	45.	57-860916-000	Framework Writing Surface Kit (Optional)
21.	57-300286-000	Ground Cable Assembly	46.	57-300377-000	Touchscreen Interface Box
22.	57-861305-000	Monitor Chassis - 300 Ma For use with monitors manufactured before January 2000	47.	57-300192-4xx	Console Option PCB
	57-861631-000	Monitor Chassis - 600 mA	48.	57-300086-001	Monitor Rear Bracket (right-hand)
	57-861646-000	Monitor Chassis - 300 mA	49.	11-012279-001	Pan Head C.R. Screw (#6-32 x1")
			50.	57-300731-000	Bracket - Speaker
					<i>N.A. = No Longer Available</i>
					<i>** = Chassis part numbers usually located on rear of chassis, right-hand side.</i>
			Associated Interconnected Cables		
			57-300003-000		Console Ethernet
			57-300022-000		Pinsetter Interface Local LAN
			57-300023-000		Pinsetter Interface 28VAC
			57-300025-000		Console Local LAN
			57-300005-000		Console Video Out
			57-300012-000		Primary to Secondary Audio

Secondary Touchworx Console

* Framework Color Chart

Part No.	Color
-104	ORANGE
-105	GRAPE
-113	DARK BLUE
-116	DARK TEAL
-101	DARK GREY
-102	LIGHT GREY
-220	BLUEBERRY
-221	KIWI
-222	CRANBERRY
-223	GRAPE
-224	BANANA
-225	STRAWBERRY

Last three digits in part number designate color



Secondary Touchworx Console

Index

No.	Part No.	Description
1.	11-690508-000	Speaker
2.	11-012022-001	Pan Hd. Screw w/Lockwasher (#6-32 x 3/8")
3.	57-300734-000	Speaker Cable Assembly
4.	57-300068-000	Speaker Vent Cover
5.	57-300338-000	Front Cover
6.	*57-860970-000	Microphone Vent Cover (Refer to Framework Color Chart below)
7.	11-651012-000	Grommet
8.	57-300129-000	Microphone Cable Assembly
9.	57-300201-000	Microphone Bracket
10.	11-012021-001	Pan Hd. C.R. Screw w/Lockwasher (#6-32 x 5/16")
11.	11-176005-001	Hex Nut
12.	57-300038-000	Keyboard Ext Cable Assembly
13.	57-861440-000	Keyboard w/Mounting Bracket Assembly - English - non - GID
	*57-861642-000	Keyboard w/Mounting Bracket Assembly - English - GID
14.	57-861266-4xx	Console Audio PCB
15.	57-861271-4xx	Console Controller PCB
16.	11-001178-001	Hex Hd. Machine Screw (1/4-20 x 1/2")
17.	11-012058-001	Pan Hd. C.R. Screw w/Lockwasher (#8-32 x 3/8")
18.	57-300337-000	Back Cover
19.	53-400301-003	Button Hd. Socket Cap (Special) Screw (3/8-16 x 3/4")
20.	57-300335-000	Mounting Bracket
21.	57-861318-000	Softkey Color Labels (Not Illustrated)
22.	57-300731-000	Speaker Bracket

* GID = Glow - In - the - Dark

Associated Interconnected Cables

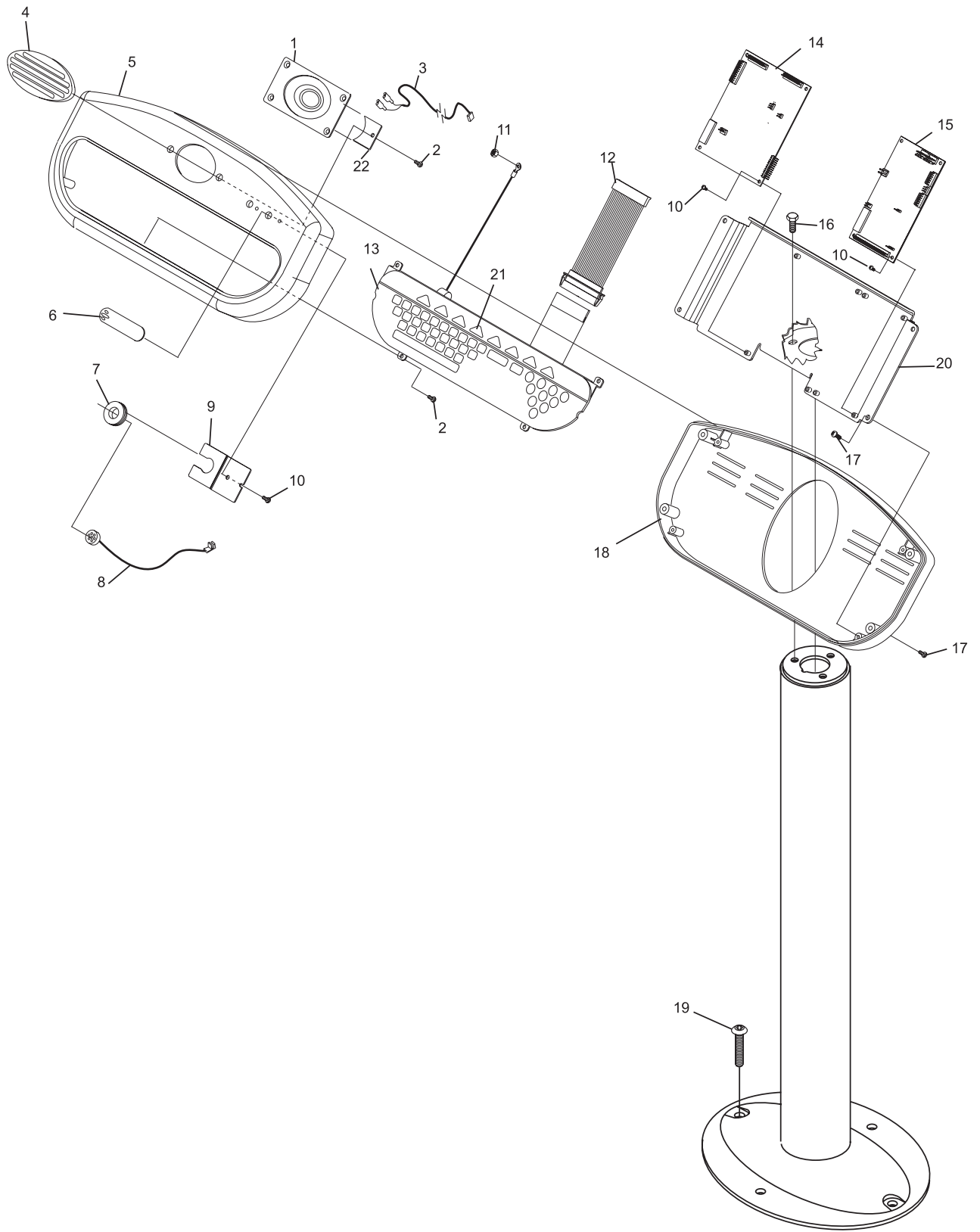
* Framework Color Chart

Part No.	Color
-104	ORANGE
-105	GRAPE
-113	DARK BLUE
-116	DARK TEAL
-101	DARK GREY
-102	LIGHT GREY
-220	BLUEBERRY
-221	KIWI
-222	CRANBERRY
-223	GRAPE
-224	BANANA
-225	STRAWBERRY

Last three digits in part number designate color

57-300025-000	Primary Console to Secondary Console Local LAN
57-300153-000	LGP to Bowler Entry Station Power
57-300154-000	LGP to Bowler Entry Station Local LAN
57-300155-000	Global Audio Primary to Secondary

**Framework Bowler Entry Station
Teamworx**



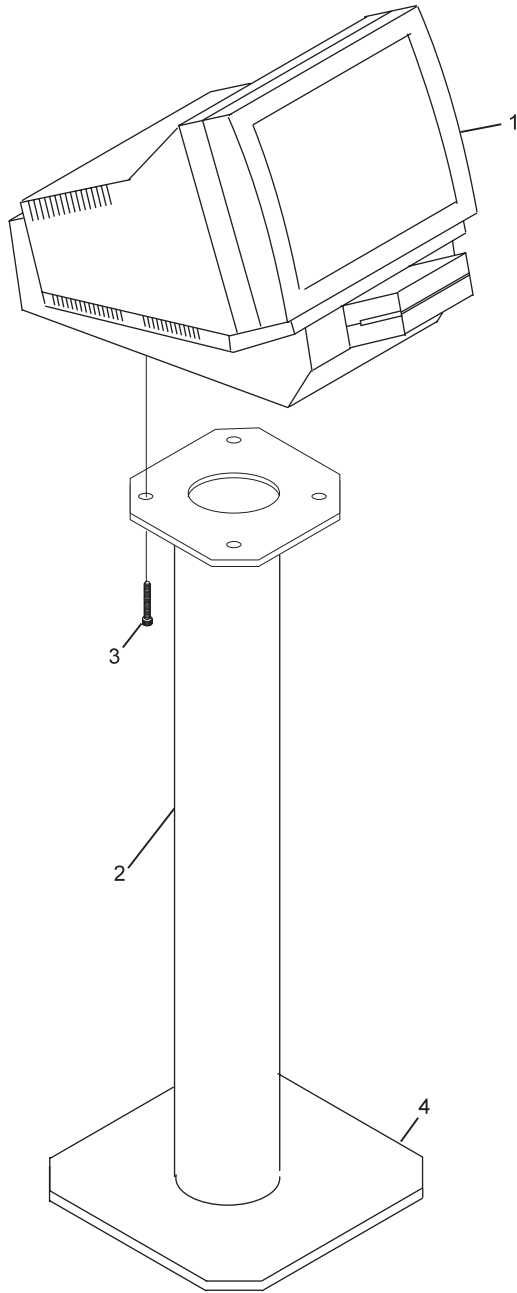
**Framework Bowler Entry Station
Teamworx**

Index

No.	Part No.	Description
1.	57-860390-000	Bowler Express Lane Terminal
2.	57-860379-000	Chrome Mounting Pole W/hardware
3.	57-860418-000	Pole Hardware only
4.	57-860014-000	Floor Mounting Hardware

Associated Interconnected Cables

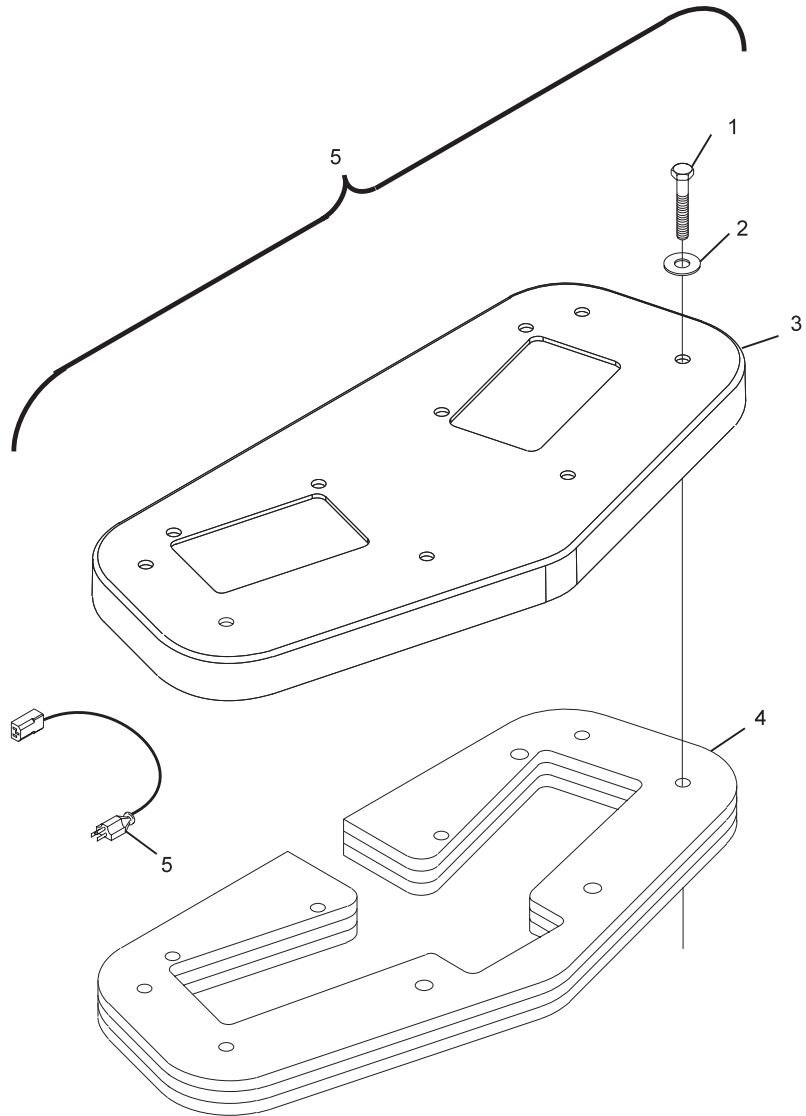
27-619042-000	4-Conductor Phone Cable
---------------	-------------------------



Frameworkx Bowler Express Lane Terminal

Index

No.	Part No.	Description
1.	11-001357-001	Hex Hd. Cap Screw (3/8-16 X 3.25")
2.	11-191014-001	Plain Washer (3/8")
3.	57-300644-000	Cover- Dual Console Riser
4.	57-300645-000	Spacer - Dual Console Riser
5.	57-300677-000	Power Cord (24" Length)
6.	57-861428-000	Dual Console Riser - Complete (includes items 1, 2, 3, 4, and 5)

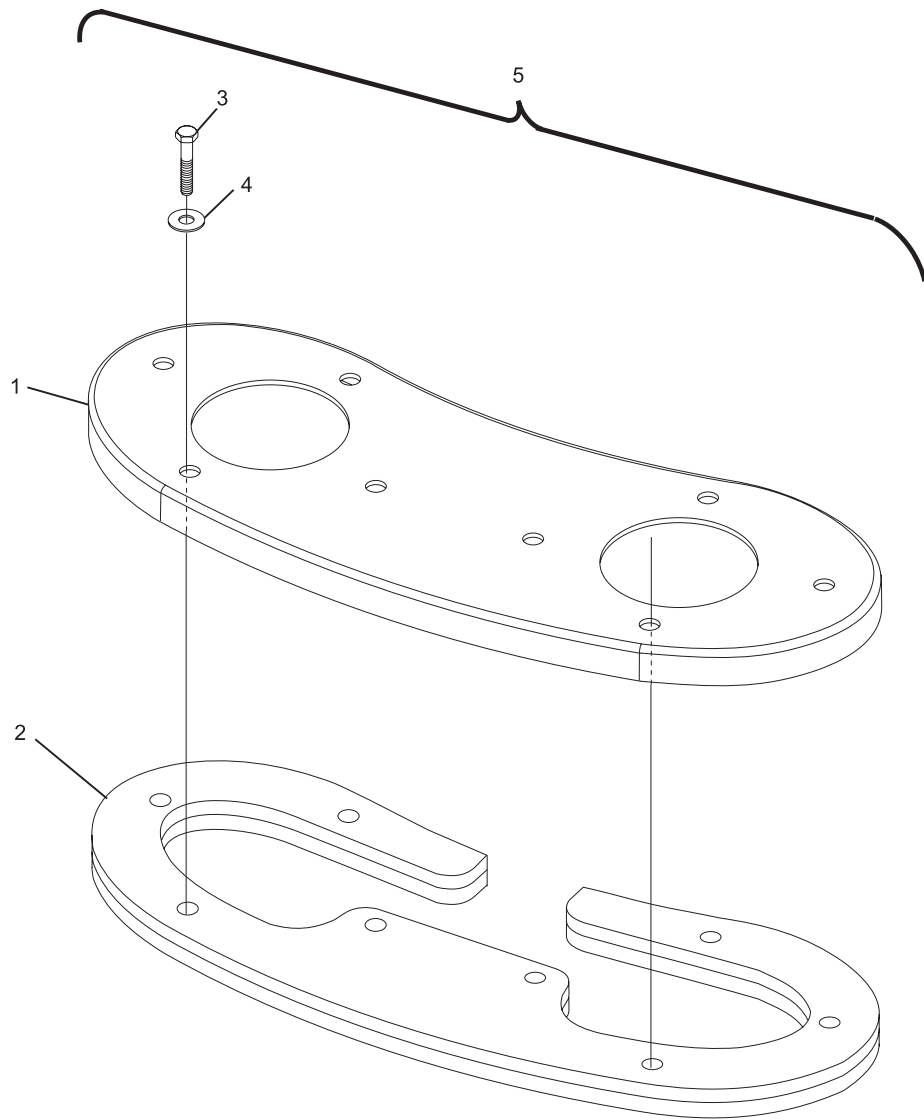


Frameworkx Dual Console Riser

Index

No.	Part No.	Description
1.	57-300646-000	Plastic Cover
2.	57-300647-000	Wood Spacer
3.	11-006066-003	Button Hex Hd. Button Hex Hd. Cap Screw (3/8-16 x 2-1/2")
4.	11-191014-001	Plain Washer (3/8")
5.	57-861429-000	Teamworx Dual Console Riser - Complete (includes 1, 2, 3, and 4)

Teamworx Dual Console Riser

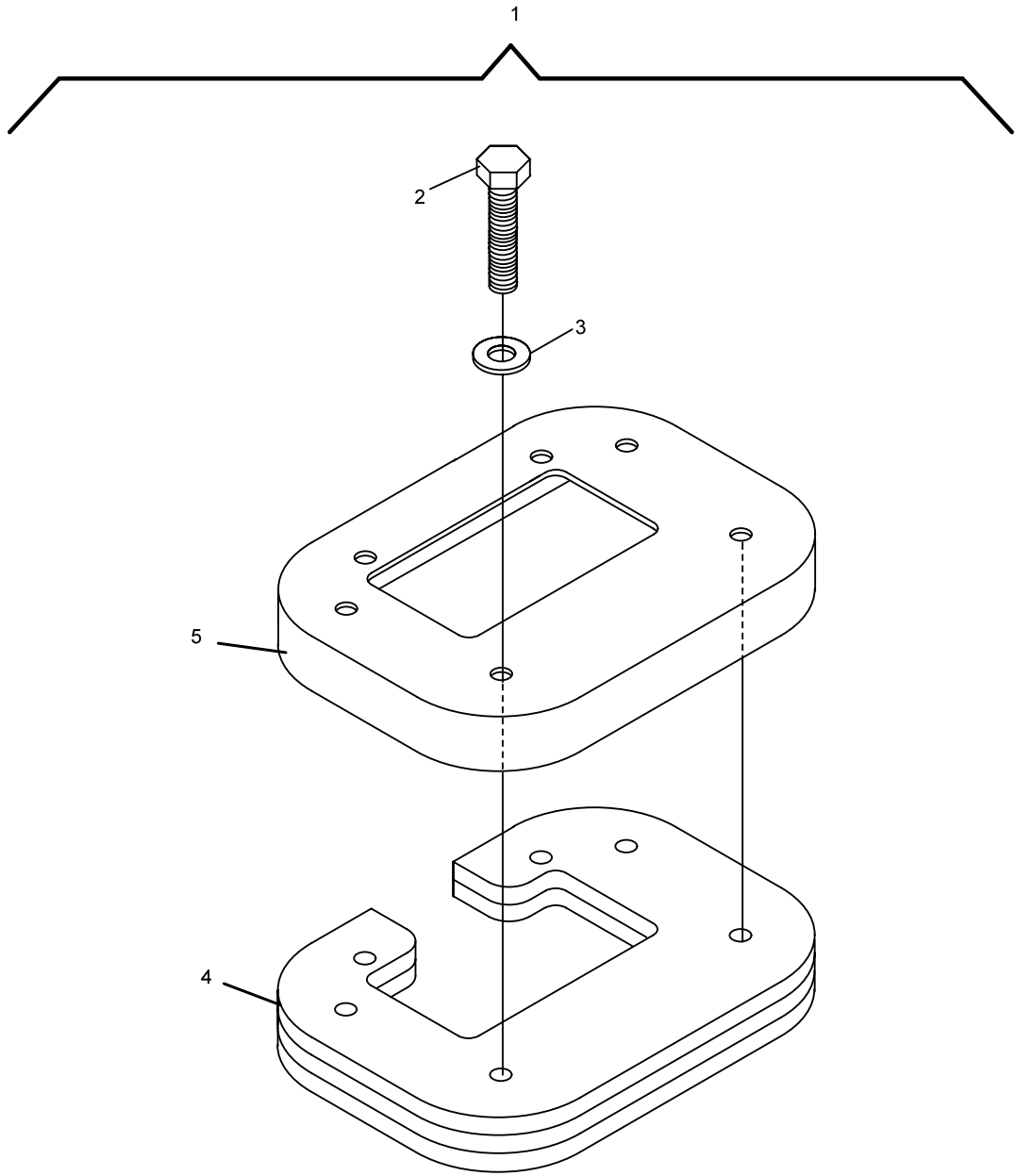


Teamworx Dual Console Riser

Index

No.	Part No.	Description
1.	57-861442-000	Single Console Riser - Complete (includes item numbers 2,3,4, and 5)
2.	11-001358-000	Hex Hd. Cap Screw (3/8-16 x 3-1/2")
3.	11-191014-001	Plain Washer (3/8")
4.	57-300727-000	Spacer - Single Console Riser
5.	57-300728-000	Cover - Single Console Riser

Single Console Riser



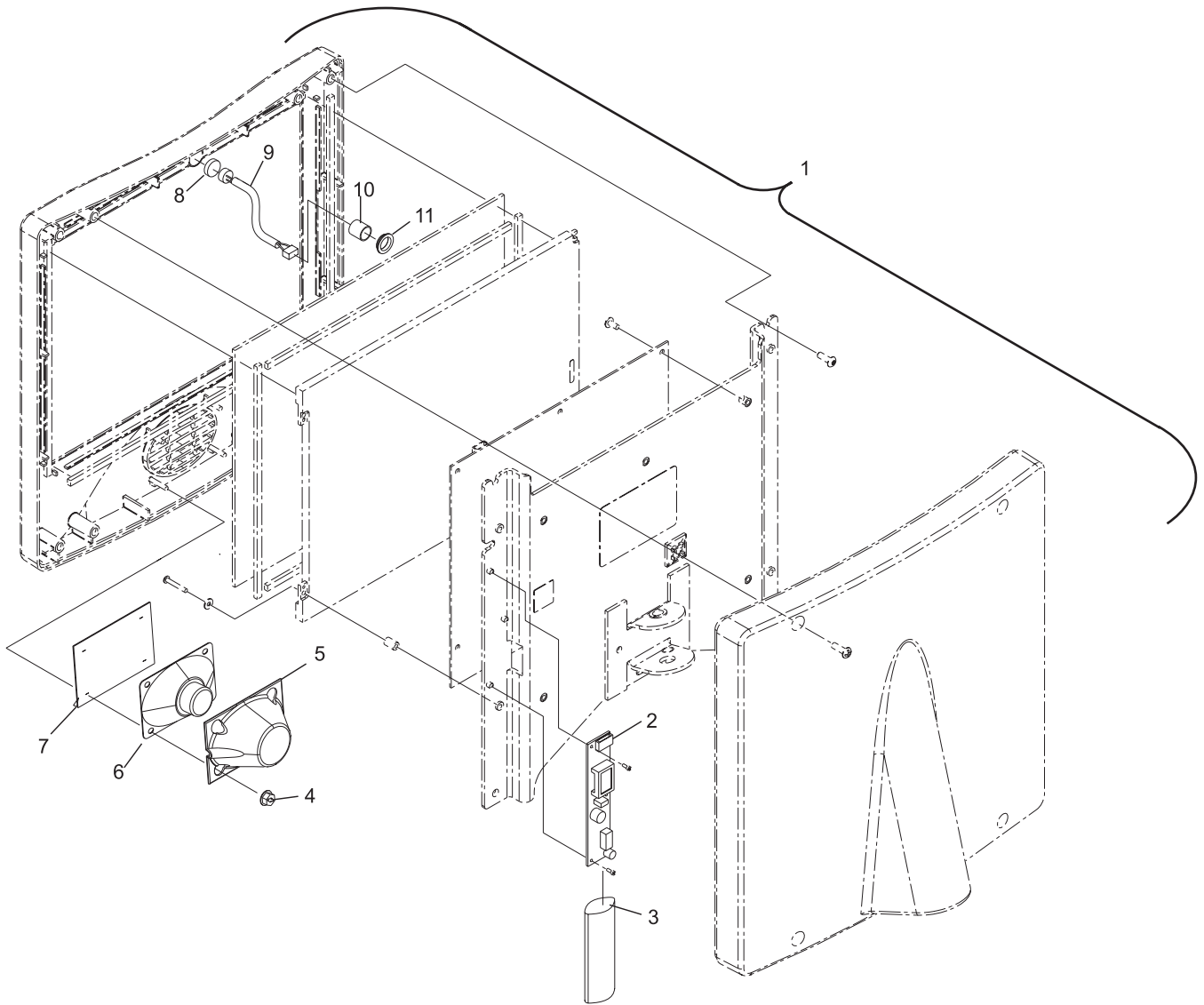
Single Console Riser

Index

No.	Part No.	Description
1.	57-861850-000	Touchworx LCD Assembly - Complete
2.	57-300877-000	Inverter PCB Assembly
3.	11-617015-000	Sleeve
4.	11-125445-000	Self Threading Nut
5.	57-300897-000	Speaker Cover
6.	57-300902-000	Speaker
7.	57-300863-000	Speaker Filter
8.	57-300893-000	Microphone Filter
9.	57-300901-000	Microphone Cable Assembly
10.	57-300894-000	Microphone Insulator
11.	57-300892-000	Microphone Retainer

Associated Interconnected Cables

57-300905-000	Lane Group Processor to LCD Controller Video
57-300903-000	Console Controller to Microphone
57-300904-000	Speaker/Power to Monitor
57-300909-000	LCD Controller to Option Touchscreen



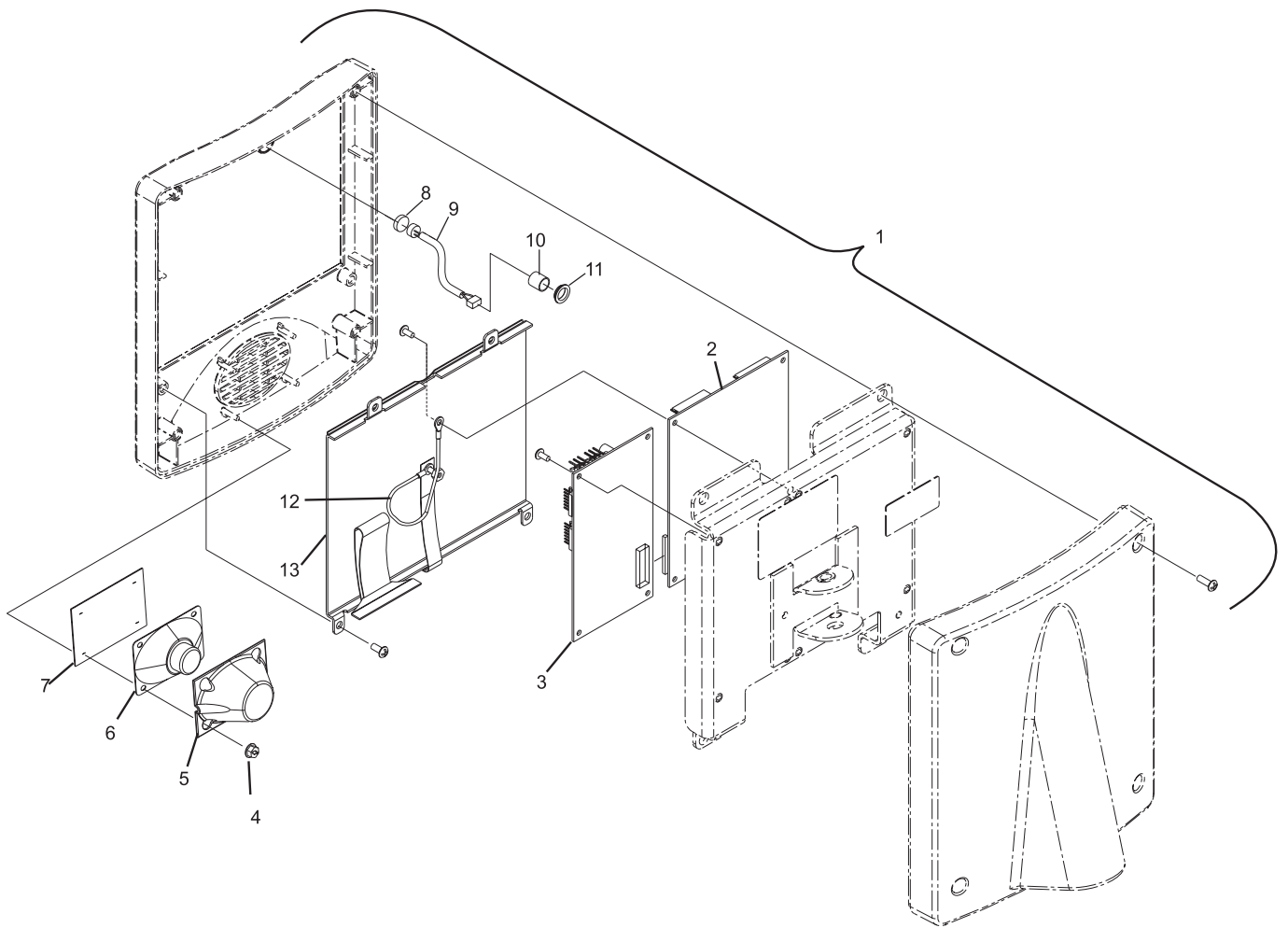
Touchworx Flatscreen Scorer

Index

No.	Part No.	Description
1.	57-861852-4xx	Teamworx Keypad Assembly - Complete
2.	57-861266-4xx	Console Audio PCB Assembly
3.	57-861271-4xx	Console Controller PCB Assembly
4.	11-125445-000	Self Tapping Nut
5.	57-300897-000	Speaker Cover
6.	57-300916-000	Speaker
7.	57-300863-000	Filter
8.	57-300893-000	Microphone Filter
9.	57-300129-000	Microphone Cable Assembly
10.	57-300894-000	Microphone Insulator
11.	57-300892-000	Microphone Retainer
12.	57-300354-000	Ground Wire Only
13.	57-300891-000	Keypad and Backer Plate Assembly

Associated Interconnected Cables

57-300154-000	Lane Group Processor to Console Local LAN
57-861236-000	Local LAN
57-300153-000	Lane Group Processor to Primary Console Power
57-861235-000	Console Power
27-619054-000	Gobal Audio (Bulk)
57-300915-000	Primary to Secondary Power
57-300914-000	Primary to Secondary Local LAN
57-300913-000	Primary to Secondary Audio



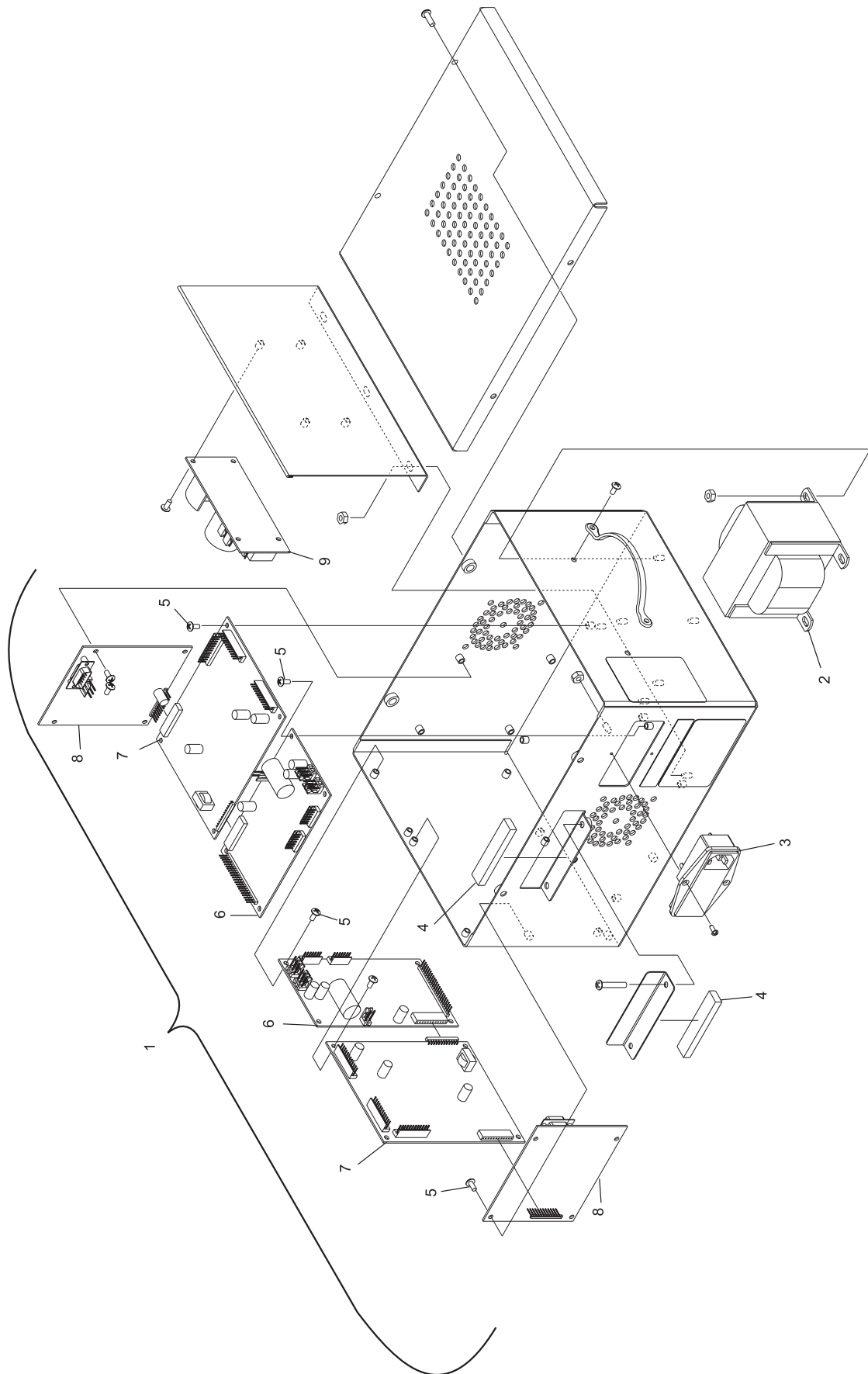
Teamworx Keypad Scorer

Index

No.	Part No.	Description
1.	57-861851-4xx	Touchworx Controller Unit Assembly - Complete with Fuses
2.	57-300918-000	Transformer Assembly
3.	57-300920-000	AC Power Module Assembly
4.	57-300442-000	Conductive Foam
5.	11-012021-001	Screw Pan Heads C.R. (#6-32 x 5/16")
6.	57-861271-4xx	Console Controller PCB (Brunswick Repair/Exchange)
7.	57-861266-4xx	Console Audio PCB (Brunswick Repair/Exchange)
8.	57-300249-4xx	Console Option PCB
9.	57-300815-000	Power Supply and Controller PCB

Associated Interconnected Cables

57-300912-000	Lane Group Processor to Touchworx Controller LAN
57-300905-000	Lane Group Processor to LCD Controller Video
57-300903-000	Console Power
57-300904-000	Speaker/Power to Monitor
57-300909-000	LCD Controller to Option Touchscreen
27-619054-000	Gobal Audio (Bulk)



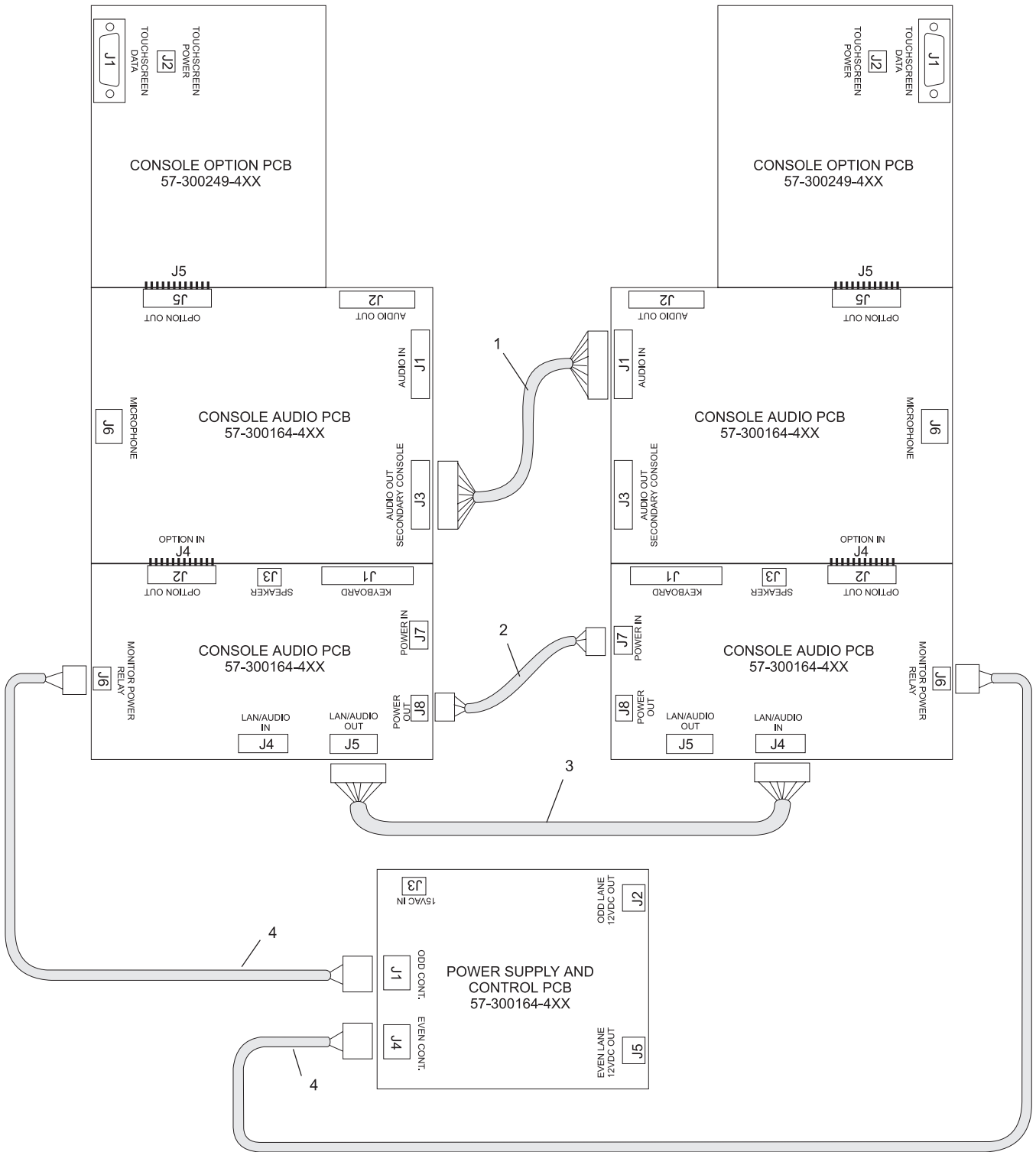
Touchworx Controller Unit

Index

No.	Part No.	Description
1.	57-300907-000	Cable Assembly
2.	57-300908-000	Cable Assembly
3.	57-300906-000	Cable Assembly
4.	57-300910-000	Cable Assembly

PRIMARY

SECONDARY



Touchworx Controller Unit Internal Cables

Index

No.	Part No.	Description
1.	57-300864-000	Tube Weldment
2.	57-300865-000	Table Plate Weldment
3.	53-861104-000	Table Post Adapter Assembly (includes hardware)

Table Mount Supports

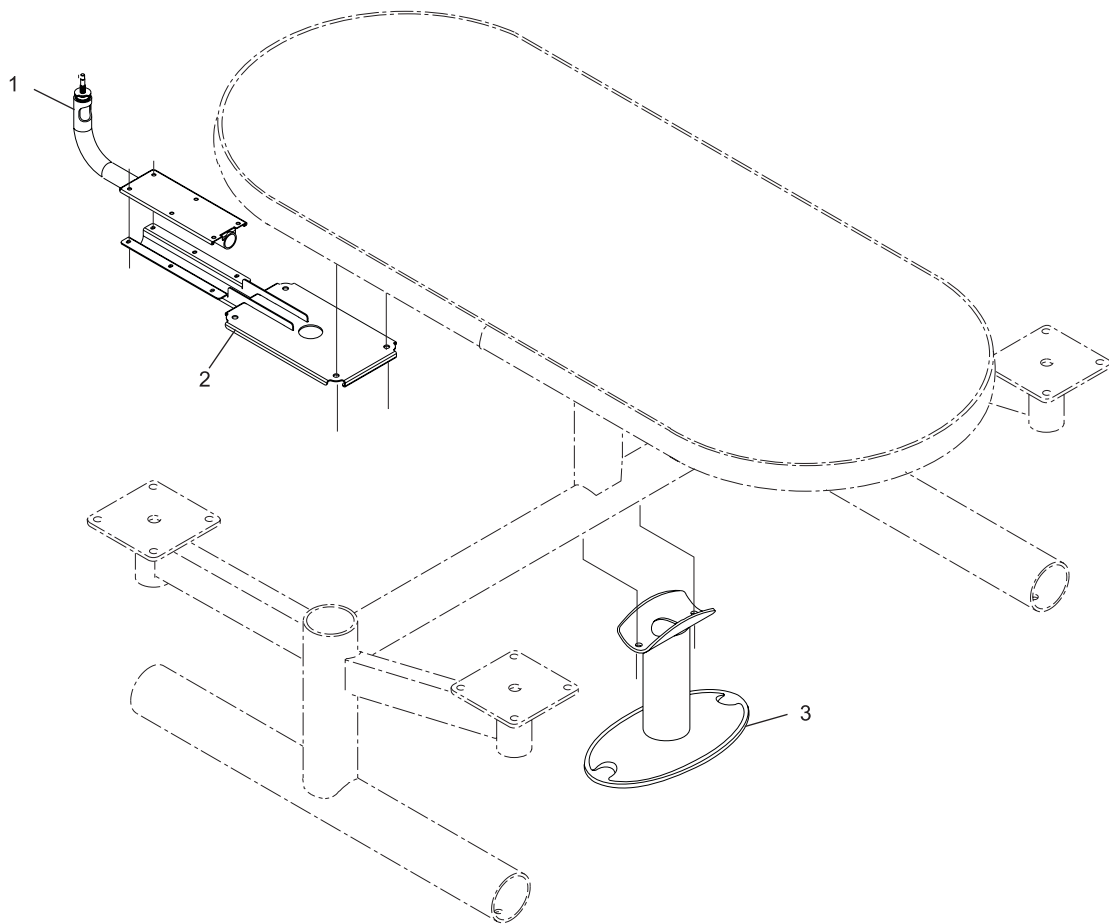
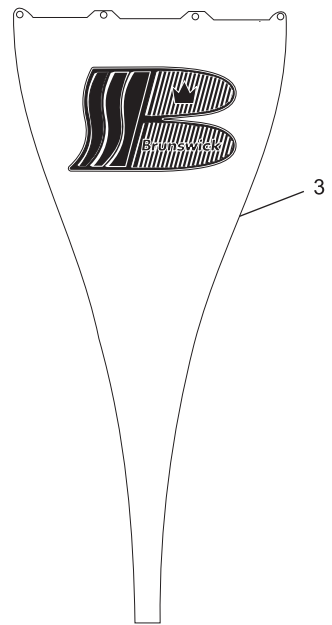
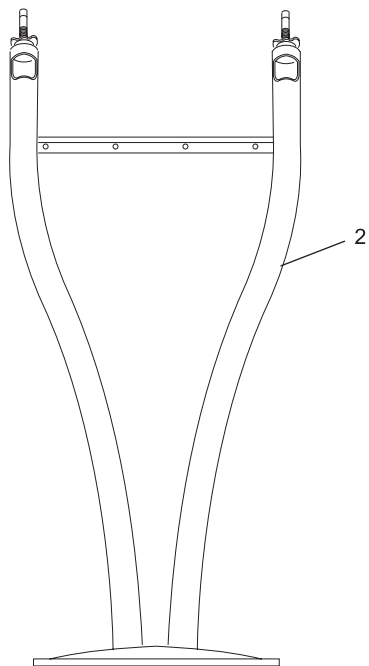
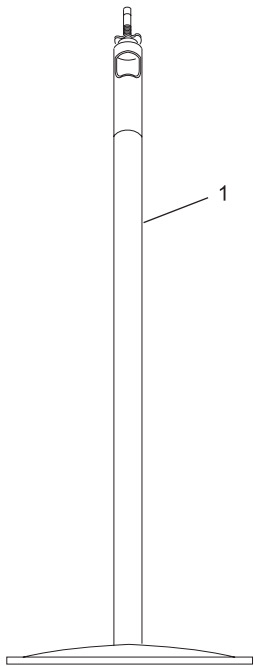


Table Mount Supports

Index

No.	Part No.	Description
1.	57-861861-000	Pedestal Weldment Single
2.	57-861860-000	Pedestal Weldment Double (includes glass retaining Bracket)
3.	57-861862-000	Insert - Clear

Pedestal Assembly



Pedestal Assembly