

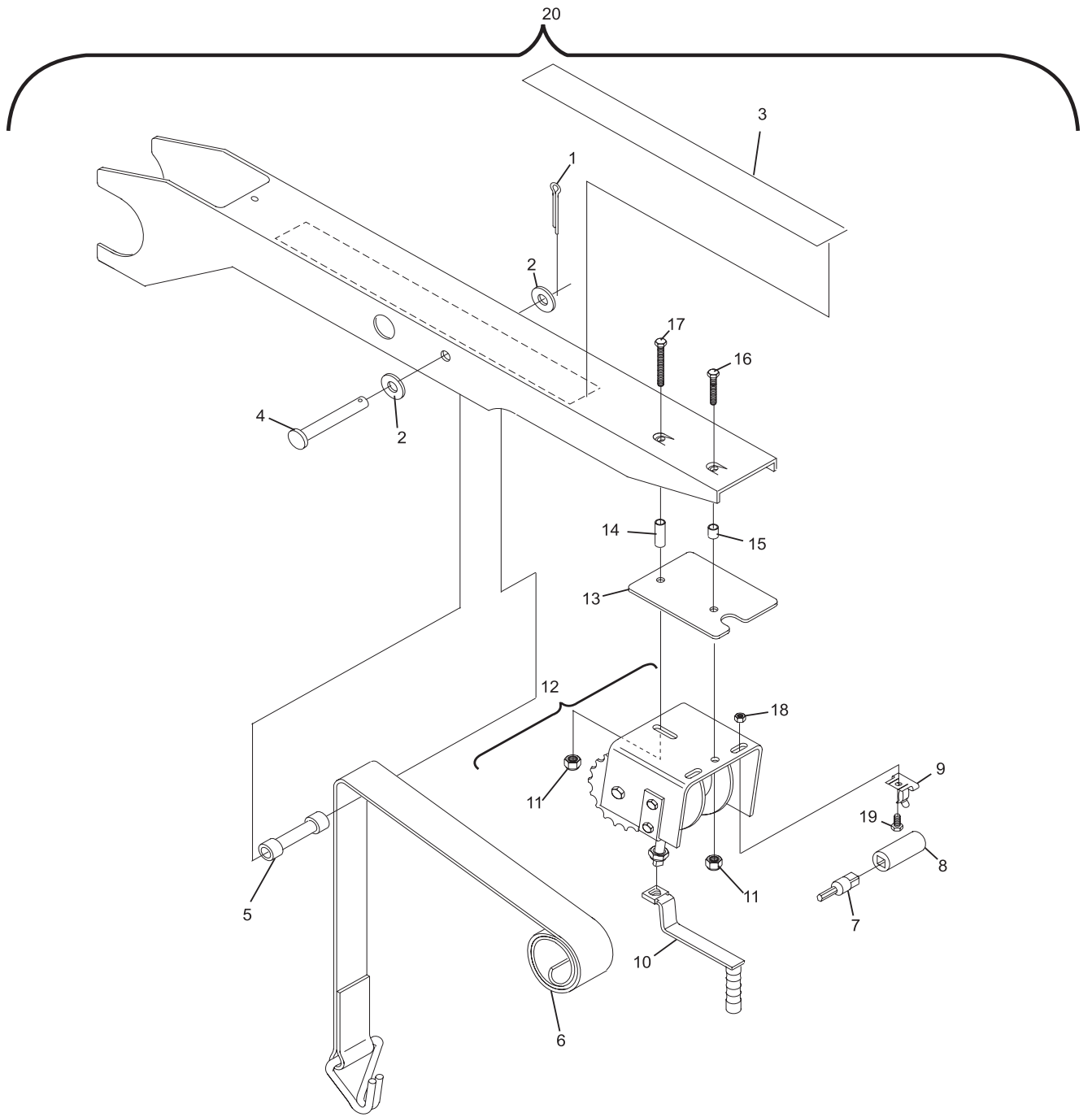
**Section H**

**MISCELLANEOUS**

**Index.**

<b>No.</b>	<b>Part Number</b>	<b>Description</b>
1.	11-335255-001	Cotter Pin
2.	11-052032-001	Plain Washer
3.	57-300063-000	Decal (Operating Instructions)
4.	11-253032-000	Clevis Pin (1/2" x 4-1/2")
5.	57-300227-000	Roller
6.	57-300232-000	Hook and Strap Assembly
7.	12-900186-000	Adapter (1/4 Hex to 3/8 Square)
8.	12-900185-000	3/8" Drive 6 Point, Deep Socket
9.	57-300228-000	Clip
10.	N/A	Handle
11.	11-170011-001	Nut
12.	57-300851-000	Winch Assembly for 27" and 36" overheads
13.	57-300225-000	Plate
14.	57-300229-000	Spacer
15.	57-300230-000	Spacer
16.	11-001350-001	Hex Hd. Screw (3/8-16 x 1-1/4")
17.	11-001353-001	Hex Hd. Screw (3/8-16 x 2-1/4")
18.	11-170009-001	Nut Self Locking Hex (5/16 x 18)
19.	11-001258-001	Hex Hd. Screw (5/16 x 18 x 1/2")
20.	57-861634-000	27" Overhead Monitor Winch Assembly (Complete)

*N.A. = No Longer Available*

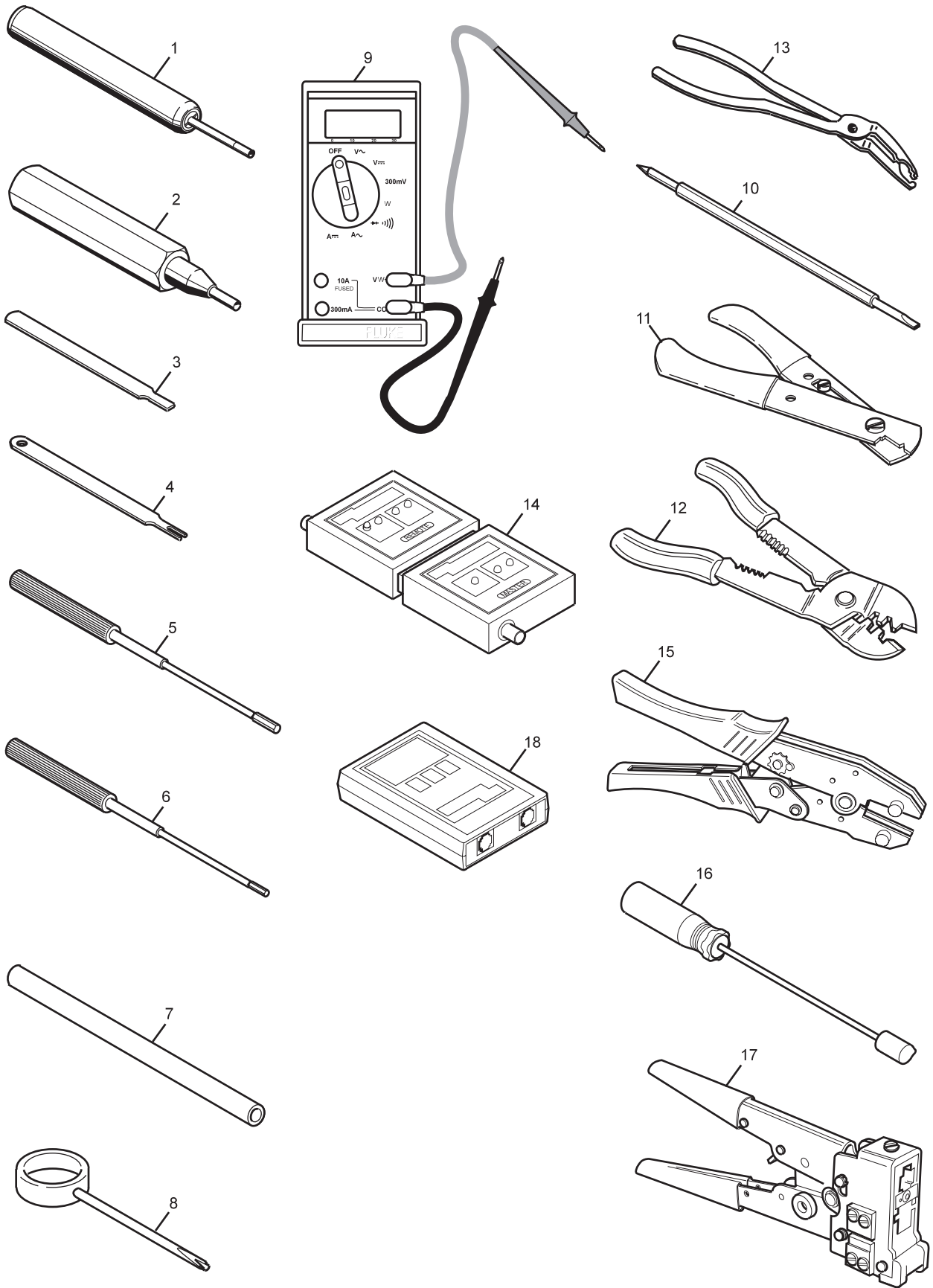


### Frameworx Overhead Winch

**Index.**

<b>No.</b>	<b>Part Number</b>	<b>Description</b>
1.	57-900102-000	Molex Round Extractor
2.	57-900104-000	AMP Extractor
3.	57-900101-000	Molex Flat Extractor
4.	57-900112-000	Forked Extractor
5.	57-900106-000	PTS Hex Tuning Wand (115-4)
6.	57-900105-000	PTS Hex Tuning Wand (115-2)
7.	57-215053-000	Nylon Locking Support Retraction Tool
8.	57-900109-000	Insertion Tool
9.	57-860295-000	Digital Multi-Meter
10.	57-900107-000	PTS Non-Metallic Screwdriver
11.	57-900108-000	Cutter/Stripper
12.	57-900103-000	Molex Crimper
13.	57-900111-000	Scanner Lamp Pliers
14.	57-861043-000	10 Base/2/10 Modular Cable Tester
15.	57-861233-000	Amphenol Crimper w/Die Set
16.	57-861234-000	3-Step Blade Stripper
17.	57-861232-000	4-6 Position Modular Crimper
18.	57-861042-000	RJ-11 Modular Cable Tester

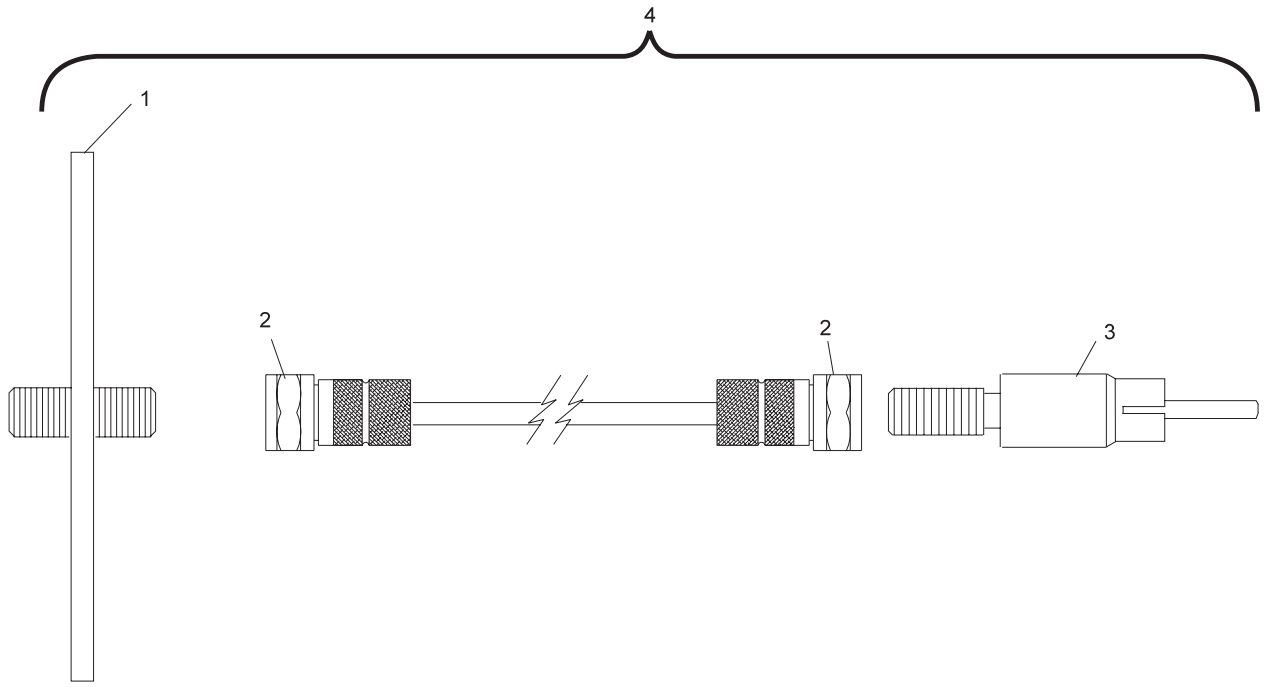
**Scorer Technician's Tools**



## Scorer Technician's Tools

**Index.**

<b>No.</b>	<b>Part Number</b>	<b>Description</b>
1.	11-686106-000	TV Wall Plate
2.	11-690532-000	"F" Connector
3.	11-690539-000	Video to RF Adapter
4.	57-860146-000	Remote Camera Kit

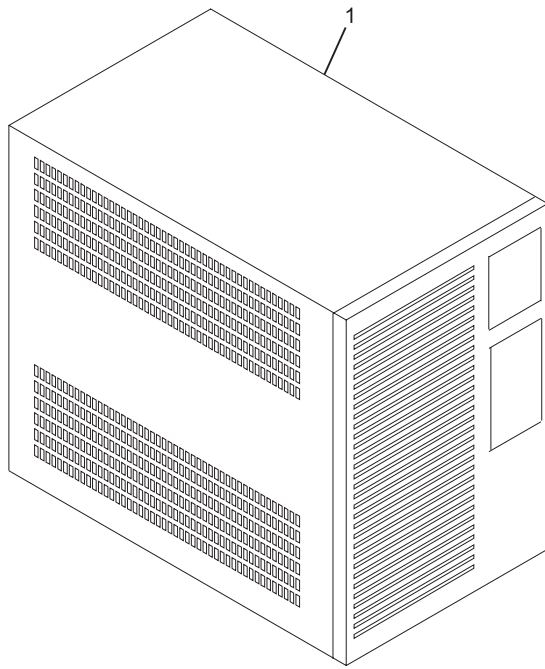


### Remote Camera Kit

**Index.**

<b>No.</b>	<b>Part Number</b>	<b>Description</b>
1.	57-861193-000	Transient Voltage Surge Suppressor 240/480VAC TVSS Single-Phase w/ 1/2" Insulating Spacer
	57-861194-000	Transient Voltage Surge Suppressor 240/415VAC Three-Phase w/ 1/2" Insulating Spacer

**TVSS Surge Suppressor  
240/415 and 240/480 VAC**



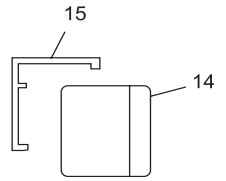
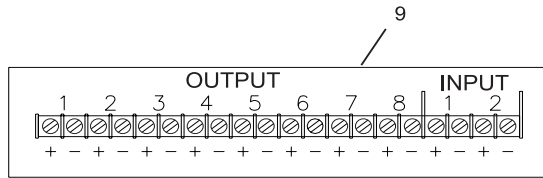
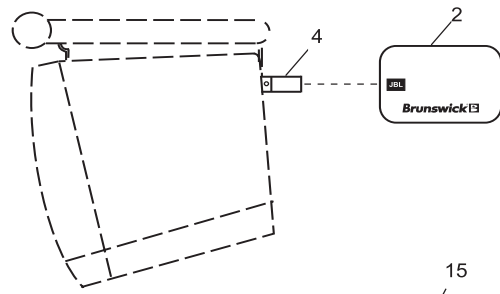
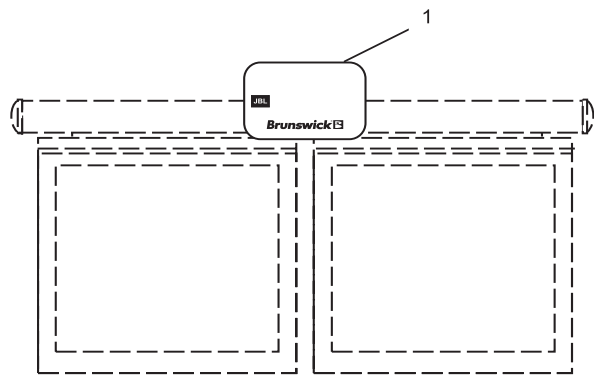
**TVSS Surge Suppressor  
240/415 and 240/480 VAC**

**Index.**

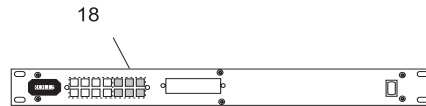
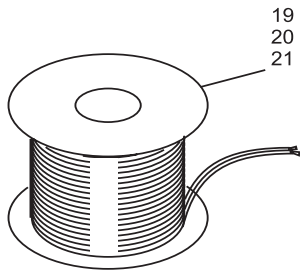
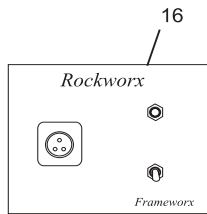
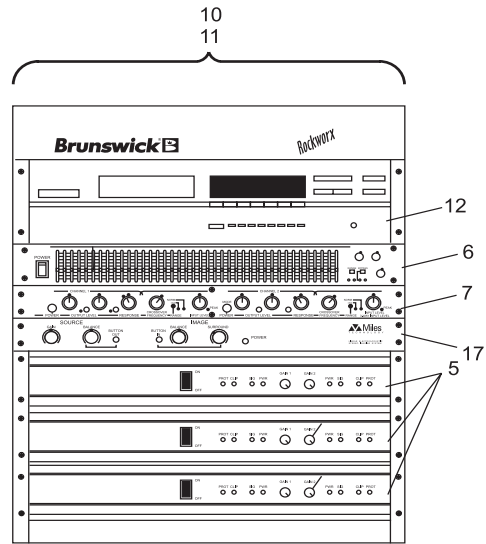
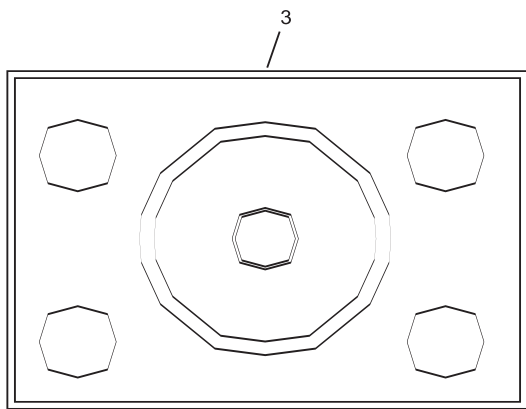
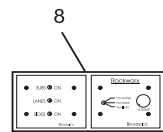
<b>No.</b>	<b>Part Number</b>	<b>Description</b>
1.	57-861343-000	Lane Speaker w/Mounting Bracket
2.	57-861348-000	Side Fill Speaker w/Mounting Bracket
3.	57-861331-000	Sub Woofer Speaker
4.	57-861376-000	Side Fill Speaker - Mounting Bracket Only
5.	57-861326-000	1500 Watt Power Amplifier
6.	57-861327-000	Equalizer
7.	57-861347-000	Crossover
8.	57-861330-000	Control Panel Assembly
9.	*57-861345-000	Breakout Box
10.	57-861355-000	12 - Space Equipment Rack
11.	57-861357-000	20 - Space Equipment Rack
12.	57-861349-000	5 Disc CD Carousel
13.	57-861350-000	200 Disc CD Changer
14.	57-861382-000	Surround Sound Speaker w/Mounting Bracket
15.	57-861377-000	Surround Sound Speaker-Mounting Bracket Only
16.	57-861108-000	Concourse Paging System Control Panel
17.	57-861378-000	Surround Processor
18.	57-861448-000	AM/FM Tuner
19.	57-861447-000	4-Conductor, Bulk Lane Feed Speaker Cable (14/4 AWG)
20.	57-861478-000	2-Conductor, Bulk Speaker Cable (16/2 AWG)
21.	57-861479-000	2-Conductor, Bulk Sub-Woofer Speaker Cable (14/2 AWG)

*\*When ordering P/N 57-861345-000 Breakout Box, contact:*

*Customer response Center  
1-800-323-8141*



SIDE VIEW

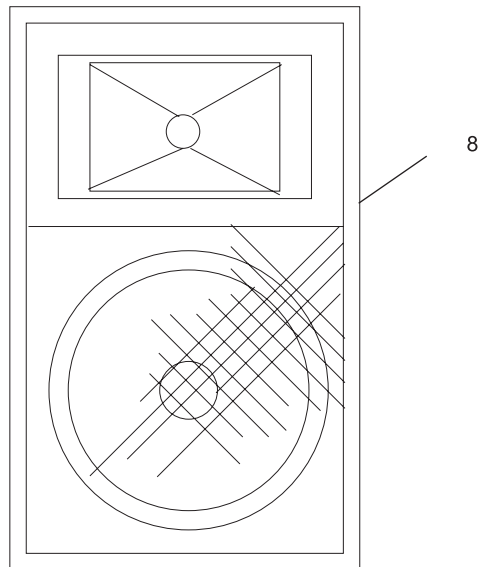
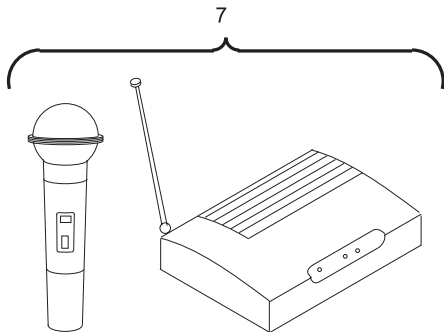
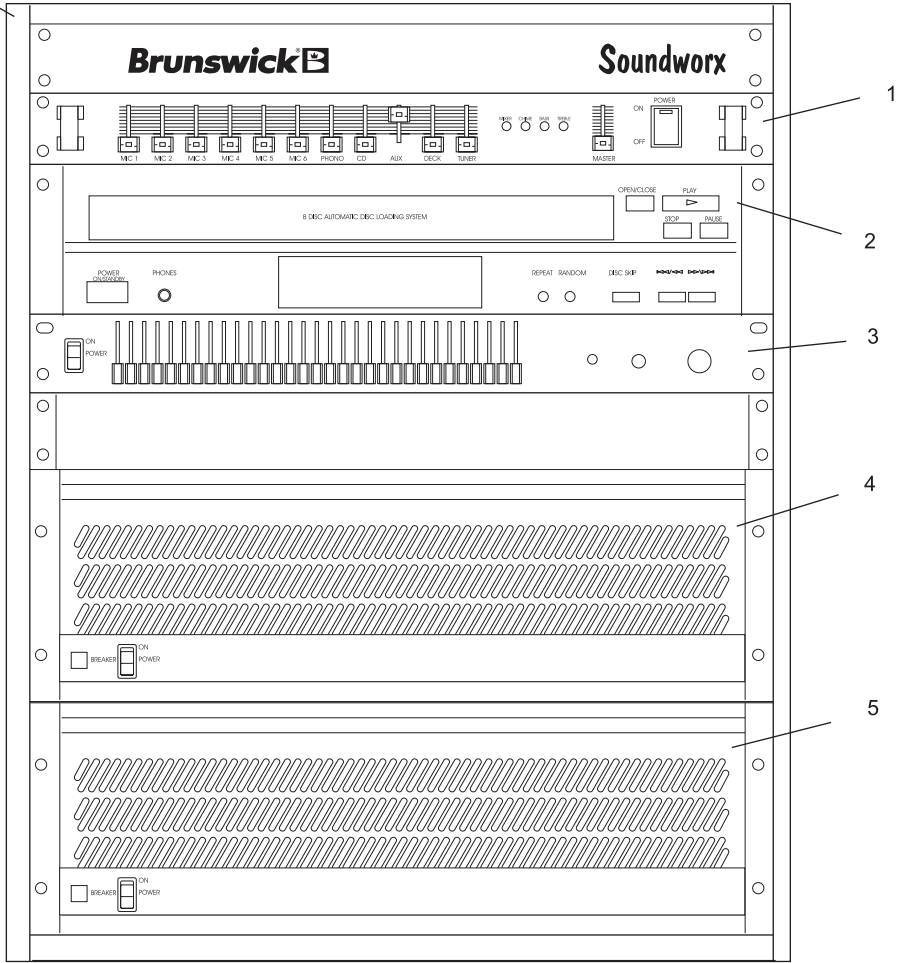


## Framework Rockworx

**Index.**

<b>No.</b>	<b>Part Number</b>	<b>Description</b>
1.	57-861602-000	Mixer Pre-Amp
2.	57-861349-000	5-Disc CD Player
3.	57-861603-000	Equalizer (31 Band)
4.	57-861607-000	900 Watt Power Amplifier
5.	57-861608-000	1310 Watt Power Amplifier
6.	57-861606-000	Equipment Rack (12-space)
7.	57-861604-000	Wireless Microphone
	57-861605-00	Interconnect Cable Assembly
8.	57-861609-00	Speaker System with Mounting Hardware

6

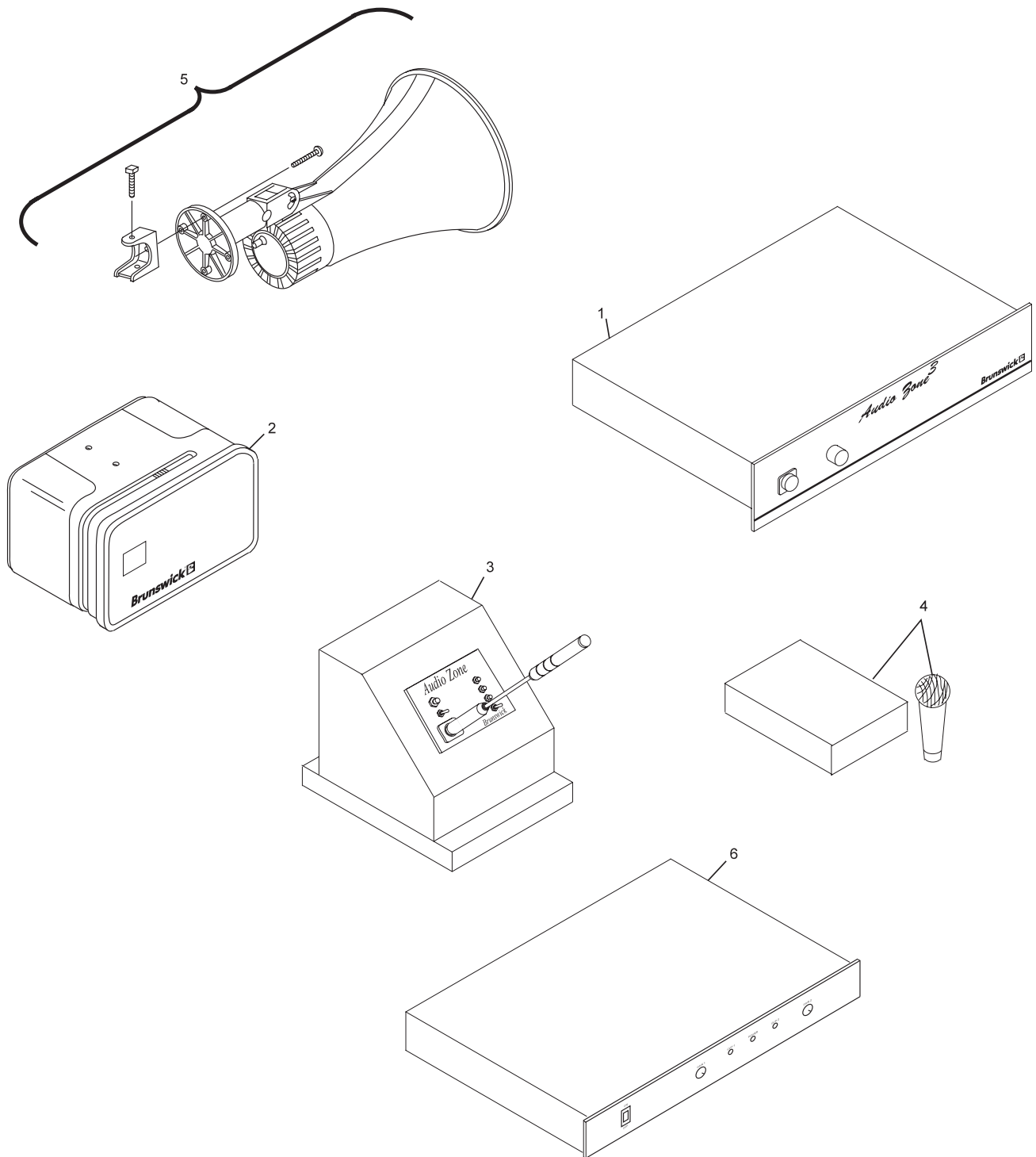


**Soundworx**

**Index.**

<b>No.</b>	<b>Part Number</b>	<b>Description</b>
1.	57-861401-000	Audio Zone 3 - Controller
	57-861403-000	Audio Zone 4 - Controller
2.	57-861343-000	Zone Speaker
3.	57-861402-000	Audio Zone Selector Panel w/Base and Microphone (Zone 3)
	57-861404-000	Audio Zone Selector Panel w/Base and Microphone (Zone 4)
4.	57-861109-000	Cordless Microphone and Receiver
5.	57-861407-000	Paging Horn and Attaching Hardware
6.	57-861325-000	Zone Amplifier - 700 W

**Audio Zone 3/Audio Zone 4 Paging System**



**Audio Zone 3/Audio Zone 4 Paging System**

**Index**

<b>No.</b>	<b>Part No.</b>	<b>Description</b>
1.	57-860235-000	Ball Detector Assembly - Complete (includes index nos. 2, 3 & 4)
2.	57-214902-000	Cable Assembly
3.	57-214920-000	Reflector and Bracket Assembly
4.	57-214921-091	Ball Detector Assembly (Brunswick Repair/Exchange)
5.	11-697239-000	Connector
6.	11-680326-000	Terminal
7.	11-680201-000	Receptacle
8.	11-680301-000	Terminal
9.	57-214901-000	Bracket
10.	17-600771-000	Housing Assembly
11.	11-190004-001	Flat Washer (#8)
12.	11-195008-001	Lockwasher (#8)
13.	11-012308-001	Pan Hd. Screw (#8-32 x 3/8") - See Note 1
14.	17-600770-000	Housing Only
15.	17-600773-000	Plate
16.	53-600101-000	Reflector
17.	11-013007-001	Pan Hd. Screw (#4-40 x 9/16")
18.	11-195004-001	Lockwasher (#4)
19.	11-125000-001	Hex Nut (#4-40)
20.	11-082092-001	R.H. Self Tapping Screw (#10 x 1/2")
21.	11-195010-001	Lockwasher (#10)
22.	11-190006-001	Flat Washer (#10)
23.	11-040593-001	Wood Screw (#10 x 3/4") - See Note 2
24.	57-214900-000	Bracket
25.	99-080186-003	Housing Only
26.	11-013060-001	Pan Hd. Screw (#8-32 x 1/2")
27.	11-086307-001	Flat Hd. Screw (#4 x 1")
28.	99-080180-004	Spring
29.	57-214904-000	Photocell & Cable Assembly (inside guts only)

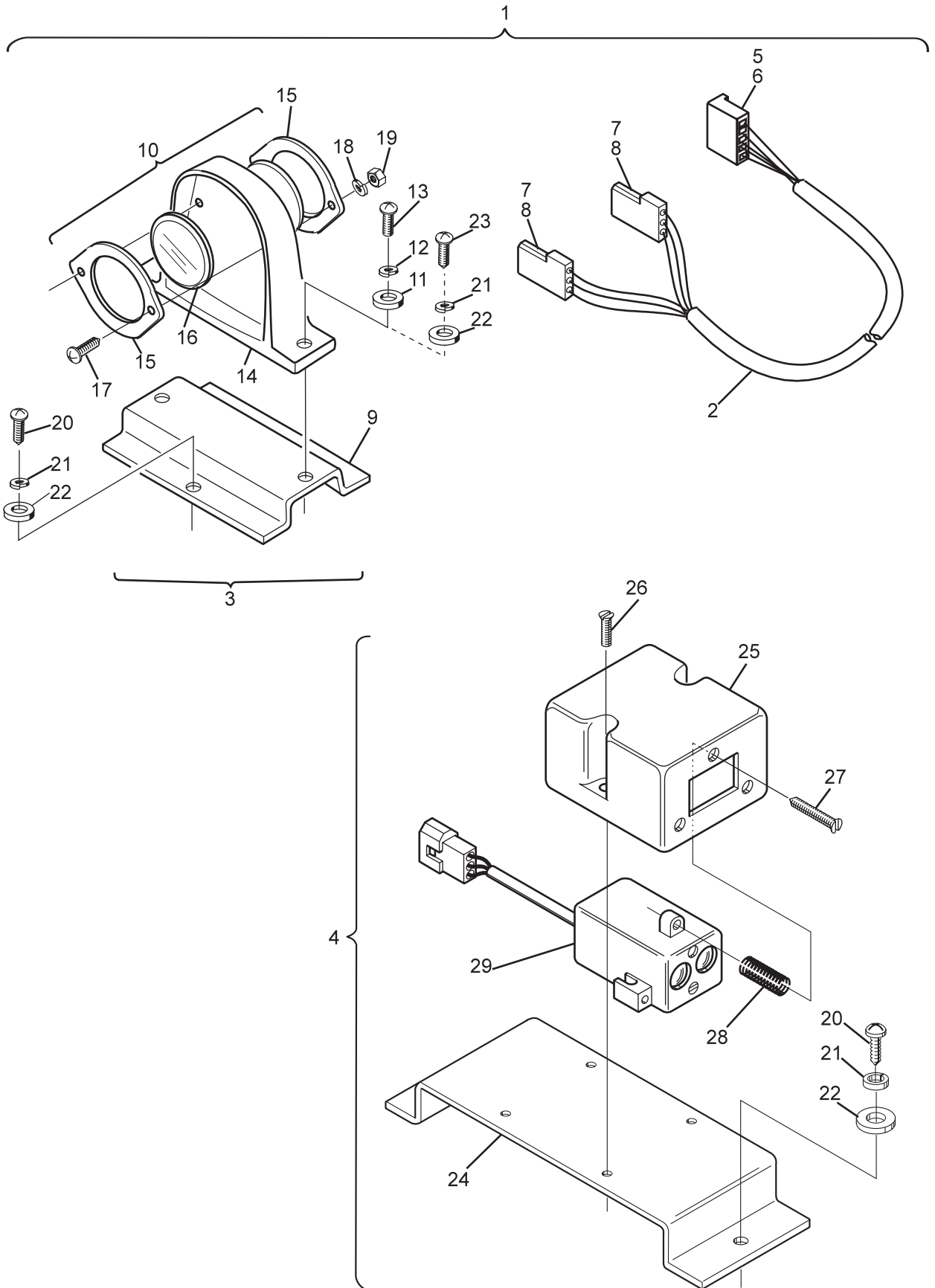
**NOTE 1:** Use if bracket is used.

**NOTE 2:** Use if going directly into capping.

**Associated Interconnecting Cables**

57-214902-000	Ball Detect to 86 Scanner or CCD Processor (3')
57-215391-000	Ball Detect to 86 Scanner or CCD Processor (30')

**Reflector and Ball Detector Assemblies**



**Reflector and Ball Detector Assemblies**

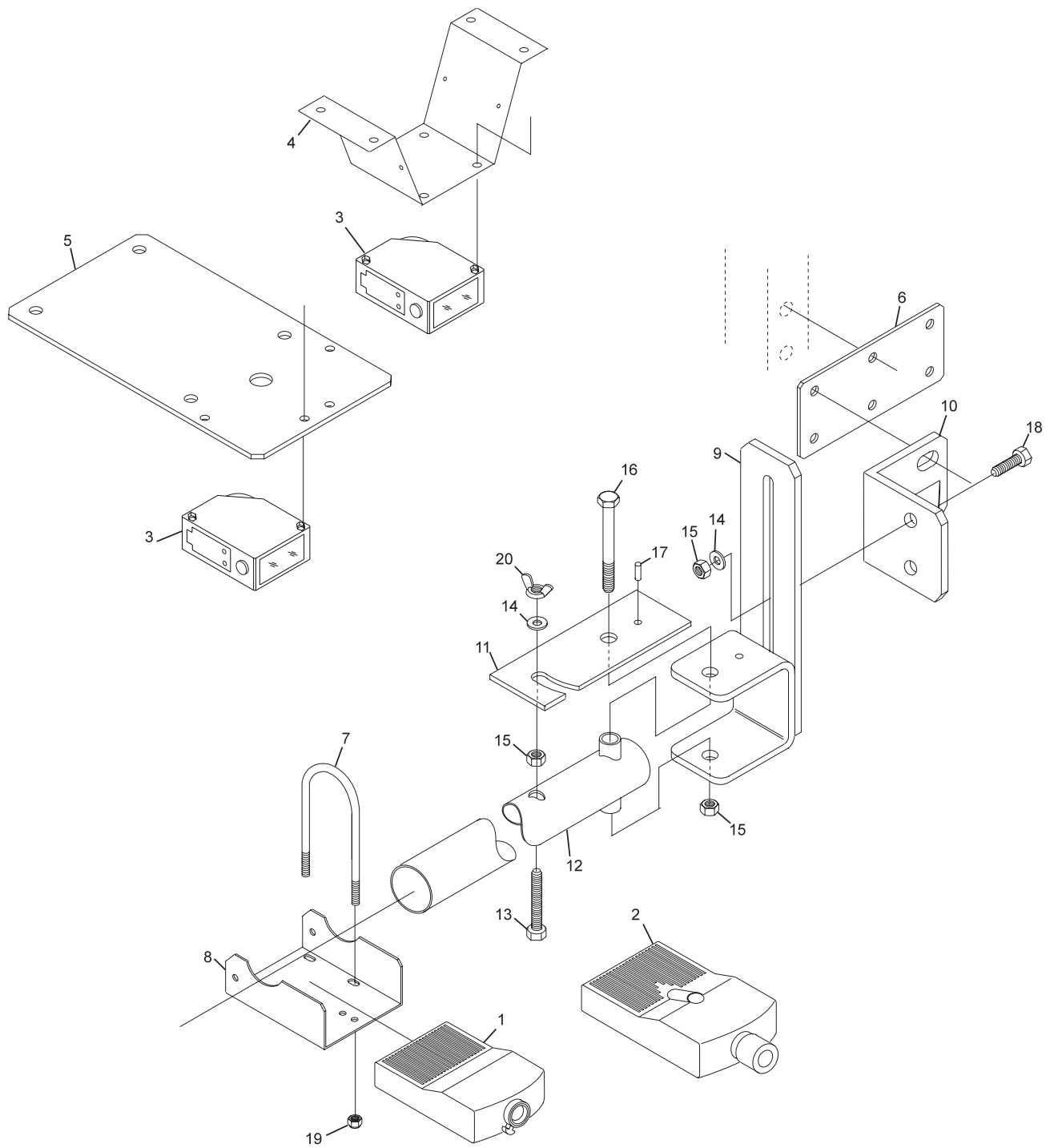
**Index**

<b>No.</b>	<b>Part No.</b>	<b>Description</b>
1.	57-861078-000	Pinfall CCD Camera - Instant Replay
2.	57-861079-000	Delivery, CCD Camera - Instant Replay
3.	57-861087-000	Approach Sensor
4.	57-861080-000	Approach Sensor Mounting Bracket (System 2000 Ball Return)
5.	57-861081-000	Approach Sensor Mounting Plate (Frameworkx Ball Return)
6.	57-300519-000	Adapter Plate
7.	57-300502-000	"U" Bolt
8.	57-300506-000	CCD Camera Mounting Bracket
9.	57-300515-000	Camera Arm Pivot Bracket
10.	57-300518-000	Angle Bracket
11.	57-300516-000	Camera Arm Lock Down Plate
12.	57-300514-000	Camera Mounting Arm
13.	12-100275-001	Hex Hd. Cap Screw (3/8-16 x 3")
14.	11-191014-001	Flat Washer (3/8")
15.	11-170011-001	Nut (3/8")
16.	11-001360-001	Hex Hd. Machine Screw (3/8-16 x 4")
17.	11-345302-000	Roll Pin (5/16-18 x 1")
18.	11-001264-001	Hex Hd. Machine Screw
19.	11-176005-001	Nylok Nut
20.	11-149035-001	Wingnut

**Associated Interconnecting Cables**

57-300543-000	Pinfall Ball Detect
57-300544-000	Delivery Ball Detect
57-300545-000	Approach Sensor
57-300547-000	Camera Power

**Instant Replay Cameras & Approach Sensor**

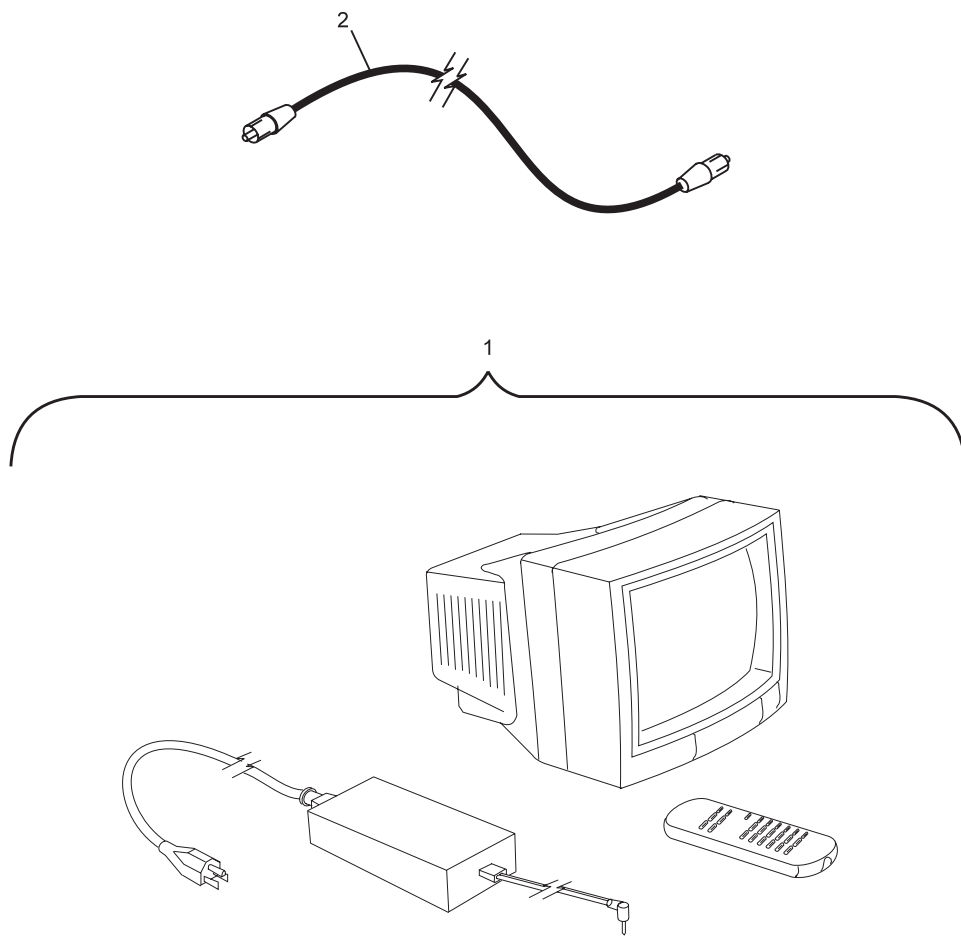


## Instant Replay Cameras & Approach Sensor

**Index**

<b>No.</b>	<b>Part No.</b>	<b>Description</b>
1.	57-861083-000	Instant Replay 9" Alignment Monitor w/Transformer and Remote Control
2.	57-861112-000	RCA to RCA Test Cable - 6 Foot

**9" Alignment Monitor w/Transformer and Remote Control - Instant Replay**



**9" Alignment Monitor w/Transformer and Remote Control - Instant Replay**

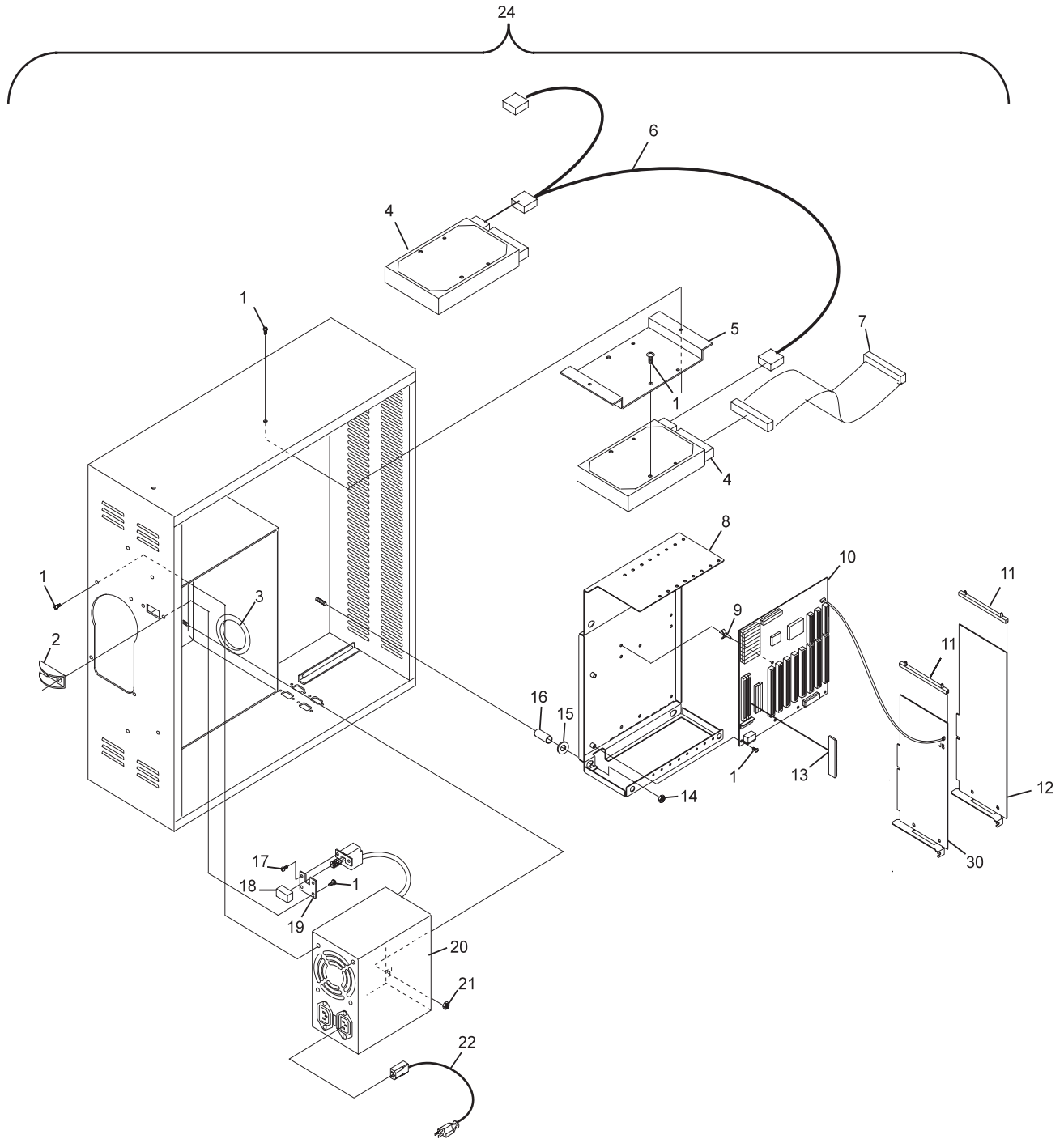
**Index**

<b>No.</b>	<b>Part No.</b>	<b>Description</b>
1.	11-012021-001	Pan Hd.C.R. Mach. Screw (#6-32 x 5-16")
2.	57-300347-000	Instant Replay Processor Switch Guard
3.	11-611608-000	Snap-In Insulator Bushing
4.	57-300549-000	Hard Drive Assembly
5.	57-300266-000	Hard Drive Bracket
6.	57-300564-000	Hard Drive Daisy Chain Cable Assembly
7.	57-300156-000	I/O to Hard Drive Cable Assembly
8.	57-300528-4xx	Power Chassis Assembly
9.	11-185378-000	PCB Locking Support
10.	57-300601-000	486 CPU Assembly
11.	11-697626-000	Card Guide
12.	57-300416-4xx	Instant Replay PCB Assembly
13.	57-300555-000	D-Ram 4 MB SIMM Module
14.	11-176000-001	Keps Nut
15.	11-190010-000	Plain Washer (1/4")
16.	10-386134-000	Spacer
17.	11-050402-001	Pan Hd. C.R. Screws (3 mm x 5 mm)
18.	68-100781-000	Button Switch Cap
19.	68-100785-000	Switch Bracket
20.	57-861188-000	Power Supply (Brunswick Repair/Exchange)
21.	11-176005-001	Keps Nut
22.	57-300220-000	Power Cord
23.	11-012520-001	Pan Hd. C.R. Screw (#6-32 x 1/4")
24.	57-861362-4xx	Instant Replay Processor - Complete (Brunswick Repair Exchange)

**Associated Interconnecting Cable Assemblies**

57-300537-000	Video Input
57-300543-000	Pinfall Ball Detect
57-300544-000	Delivery Ball Detect
57-300545-000	Approach Sensor
57-300546-000	Local LAN
57-300547-000	Camera Power
57-300548-000	Video Input to Camera
57-300558-000	Video Output
57-300562-000	Video In (Instant Replay)
57-300563-000	Video Out (Instant Replay)

**Instant Replay Processor**



**Instant Replay Processor**