

**Section F**

**OFFICE**

**Index**

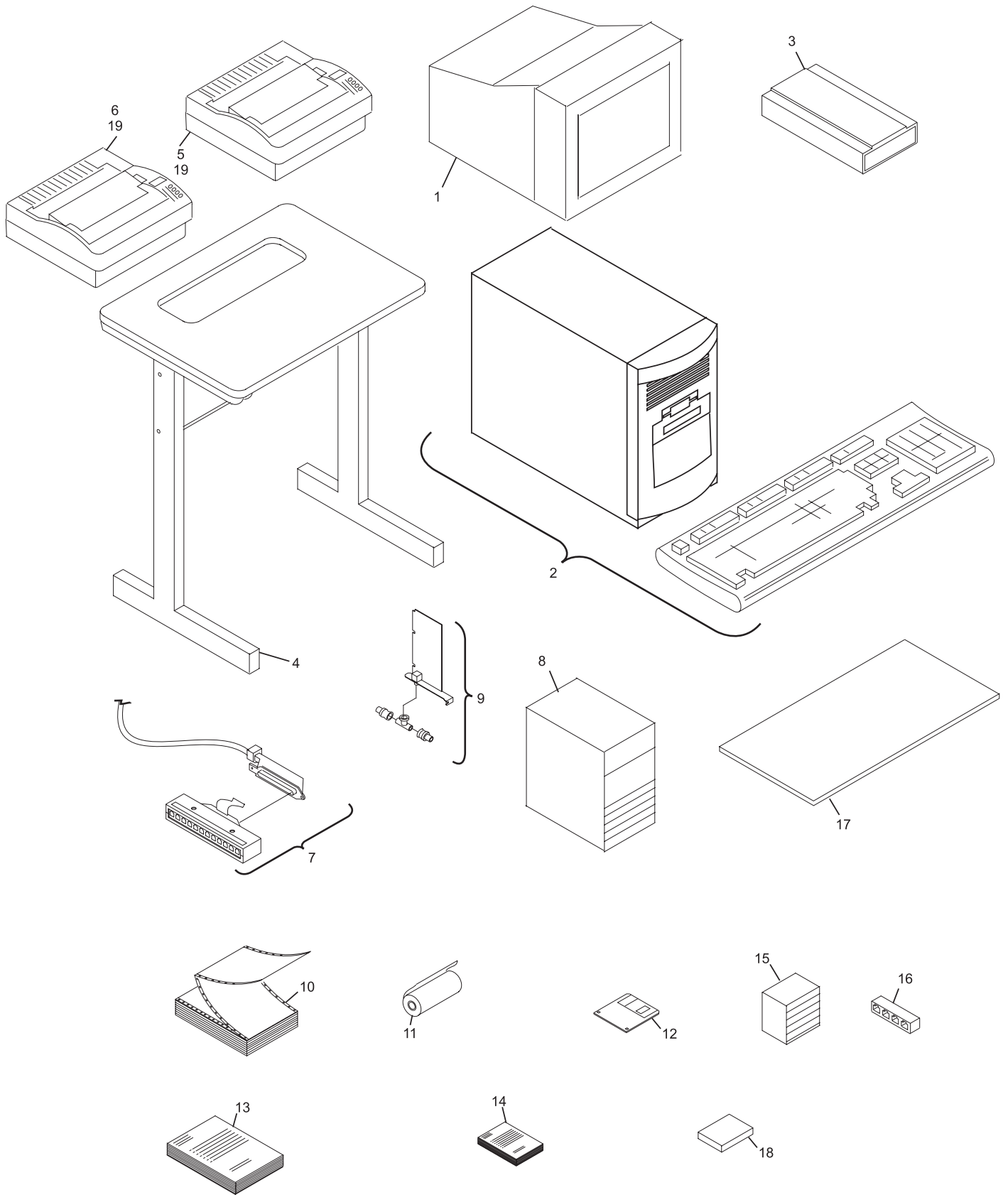
<b>No.</b>	<b>Part No.</b>	<b>Description</b>
1.	57-861599-000	Color Monitor
2.	*57-861115-000	Digital PC3100 Short Tower, 166 Mz, 16 MB, 2.0 GB - PC System (includes Keyboard)
3.	57-861086-000	Modem - U.S. Robotics
4.	57-860421-000	Printer Stand
5.	57-861019-000	Serial Printer-Control Desk or Office (Brunswick Repair/Exchange)
6.	57-861017-000	Parallel Printer Office Only (Brunswick Repair/Exchange)
7.	57-861015-000	12 Port Megaport w/Adapter
8.	57-860588-000	Uninterruptable Power Supply
9.	57-861041-000	Ethernet Card Kit (includes 2 Terminators & "T" Connector)
10.	67-860251-000	Printer Paper Sheets (Tractor Feed)
11.	57-860412-000	Receipt Printer Paper (Roll)
12.	57-861214-000	3.5 DS/HD Diskettes (Box of 10)
13.	61-860011-000	Team Registration Forms
14.	67-860049-000	Bowler Info. Change Notice Pads
15.	N.A.	Back Up Tape Holder
16.	57-861215-000	Phone Connector (4 Position)
17.	57-861222-000	Anti-Static Mat
18.	**57-860643-000	120 MB Back Up Tape Cartridge see ** below
19.	57-860955-000	Printer Ribbon

*N.A. = No Longer Available*

*\*Contact Customer Response Center at 1-800-323-8141 for current replacement parts when ordering PC system components.*

*\*\*For systems installed after February 1998, order new 3.2 GB backup tape cartridge, part number 57-300742-000. The 120 MB backup will not operate in newer office computer systems.*

**Office Computer System  
(Desk Command)**



**Office Computer System  
(Desk Command)**

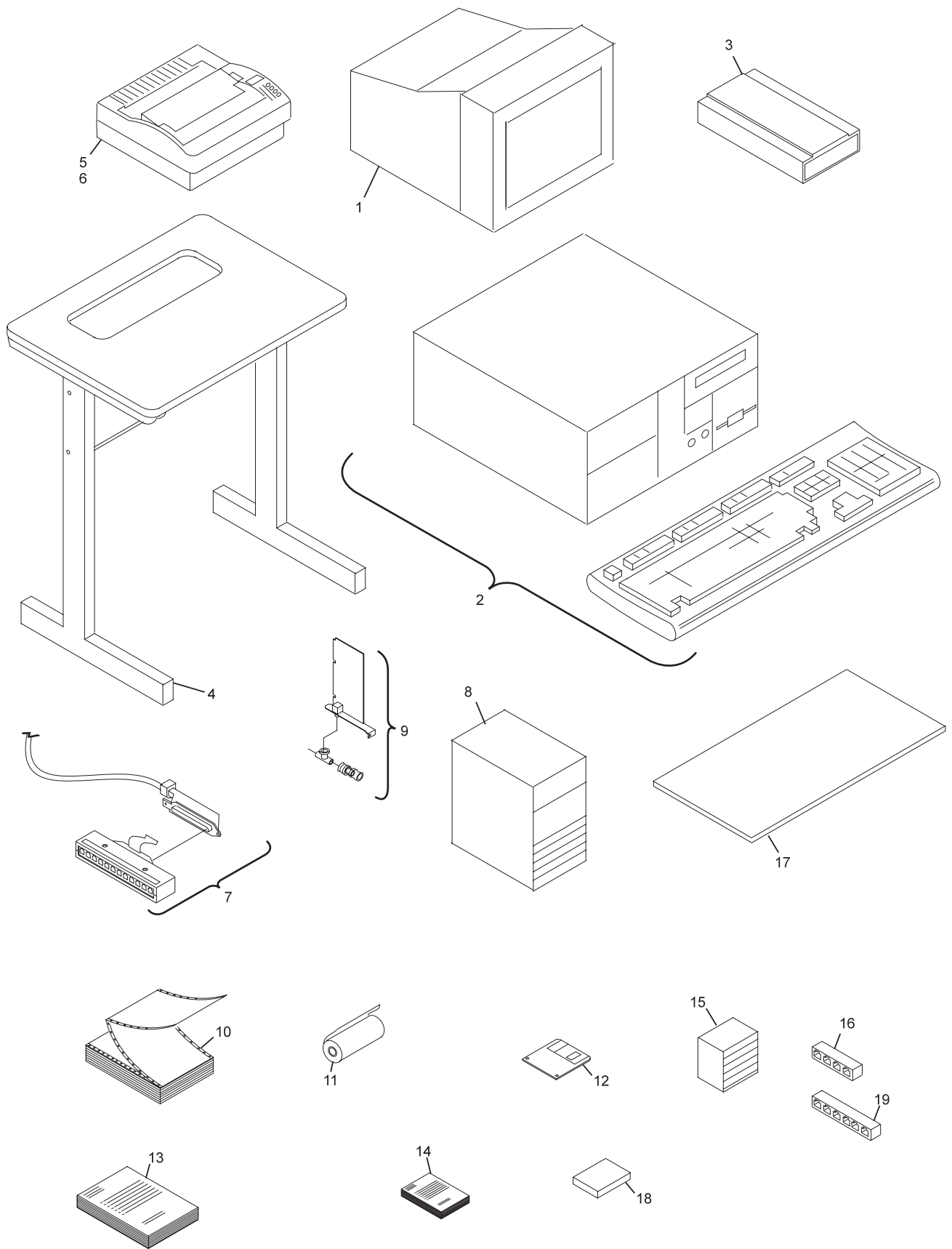
**Index**

<b>No.</b>	<b>Part No.</b>	<b>Description</b>
1.	57-861559-000	Color Monitor
2.	*57-861113-000	Digital PC3100 Short Tower, 166 Mz, 16 MB, 2.0 GB - PC System (includes Keyboard)
3.	57-861086-000	Modem - U.S. Robotics
4.	57-860421-000	Printer Stand
5.	57-861019-000	Serial Printer-Control Desk or Office (Brunswick Repair/Exchange)
6.	57-861017-000	Parallel Printer-Office Only (Brunswick/Repair Exchange)
7.	57-861015-000	12 Port Megaport w/Adapter
8.	57-860588-000	Uninterruptable Power Supply
9.	57-861041-000	Ethernet Card Kit (includes 2 Terminators & T Connector)
10.	67-860251-000	Printer Paper Sheets (Tractor Feed)
11.	57-860412-000	Receipt Printer Paper (Roll)
12.	57-861214-000	3.5 DS/HD Diskettes (Box of 10)
13.	61-860011-000	Team Registration Forms
14.	67-860049-000	Bowler Info. Change Notice Pads
15.	57-860425-000	Back Up Tape Holder
16.	57-861215-000	Phone Connector (4 Position)
17.	57-861222-000	Anti-Static Mat
18.	**57-860643-000	120 MB Back Up Tape Cartridge see ** below
19.	57-861227-000	Phone Connector (6 Position)

*\* Contact Customer Response Center at 1-800-323-8141 for current replacement parts when ordering PC system components.*

*\*\* For systems installed after February 1998, order new 3.2 GB backup tape cartridge, part number 57-300742-000. The 120 MB backup will not operate in newer office computer systems.*

**Office Computer System  
(Command Network)**



**Office Computer System  
(Command Network)**