

Section B

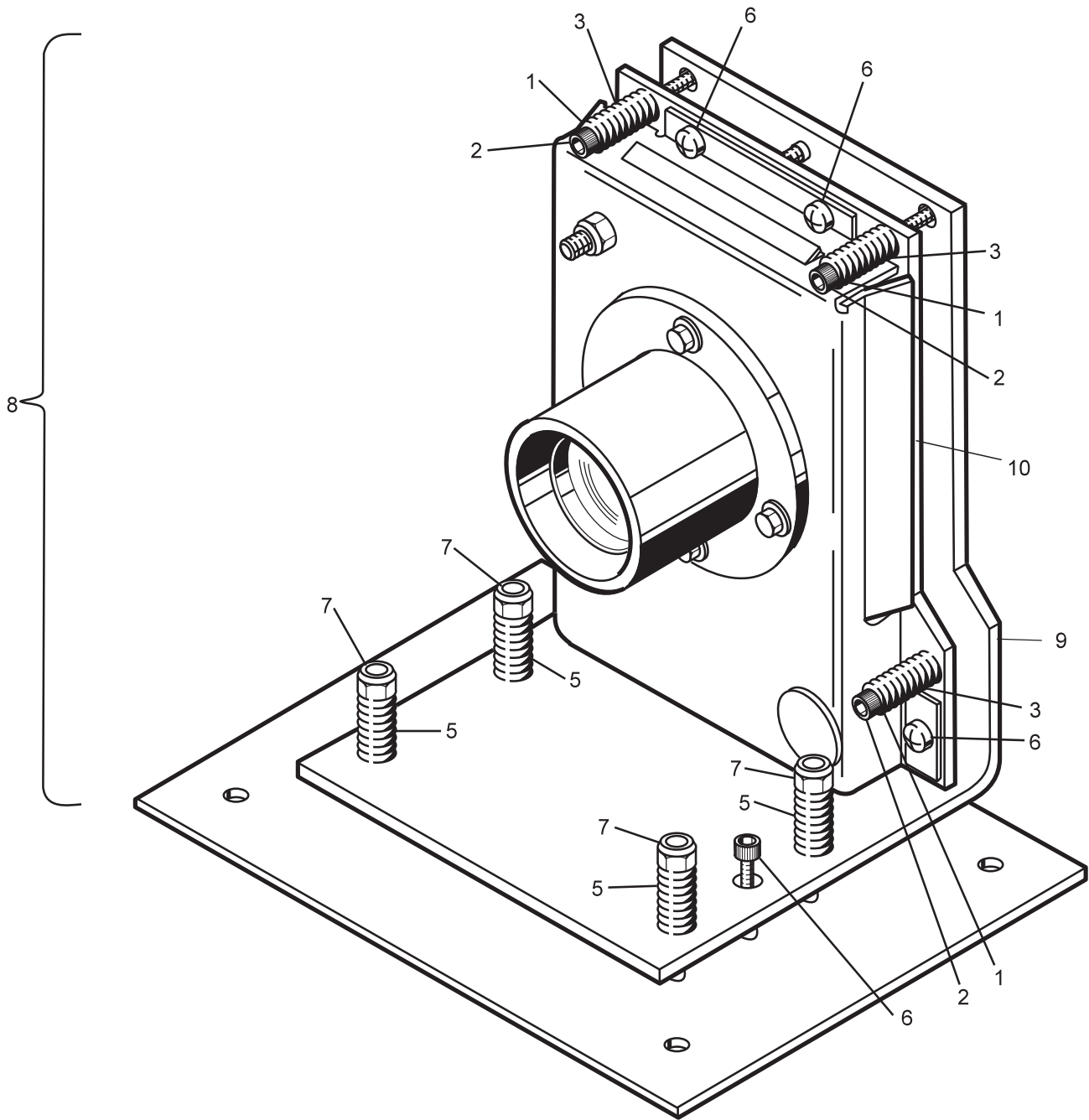
PINSENSING AREA

Index

No.	Part No.	Description
1.	11-190545-001	Plain Washer (3/16")
2.	11-005077-001	Socket Hd. Cap Screw (#8-32 x 2")
3.	11-581008-000	Compression Spring
4.	11-012306-001	C.R. Pan Hd. Screw (#8-32 x 1/4")
5.	11-581009-000	Compression Spring
6.	11-005069-001	Socket Hd. Cap Screw (#8-32 x 1")
7.	11-170004-001	Self Locking Nut (#23FA-832)
8.	57-860407-000	Camera Assembly Complete with Mounting Brackets and Hardware (Brunswick Repair/Exchange)
9.	57-215176-000	Adjusting Plate
10.	57-215177-000	PCB Mounting Plate

Associated Interconnecting Cables

57-215379-000	Camera (J3) to Processor (J901) Cable
57-215377-000	Camera to Processor (Clock or Video) Coax Cable



CCD Camera Assembly

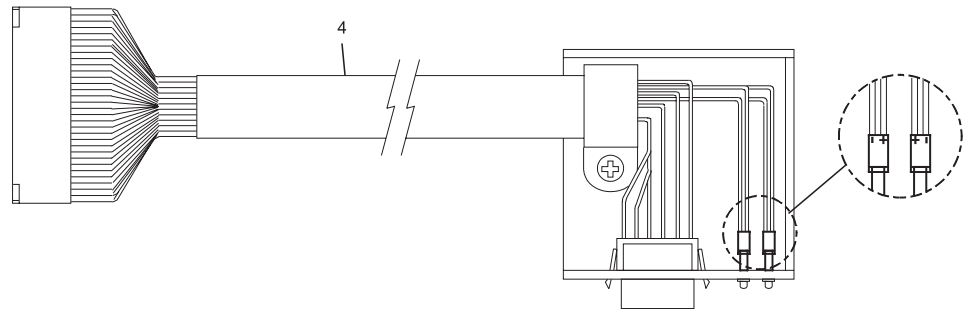
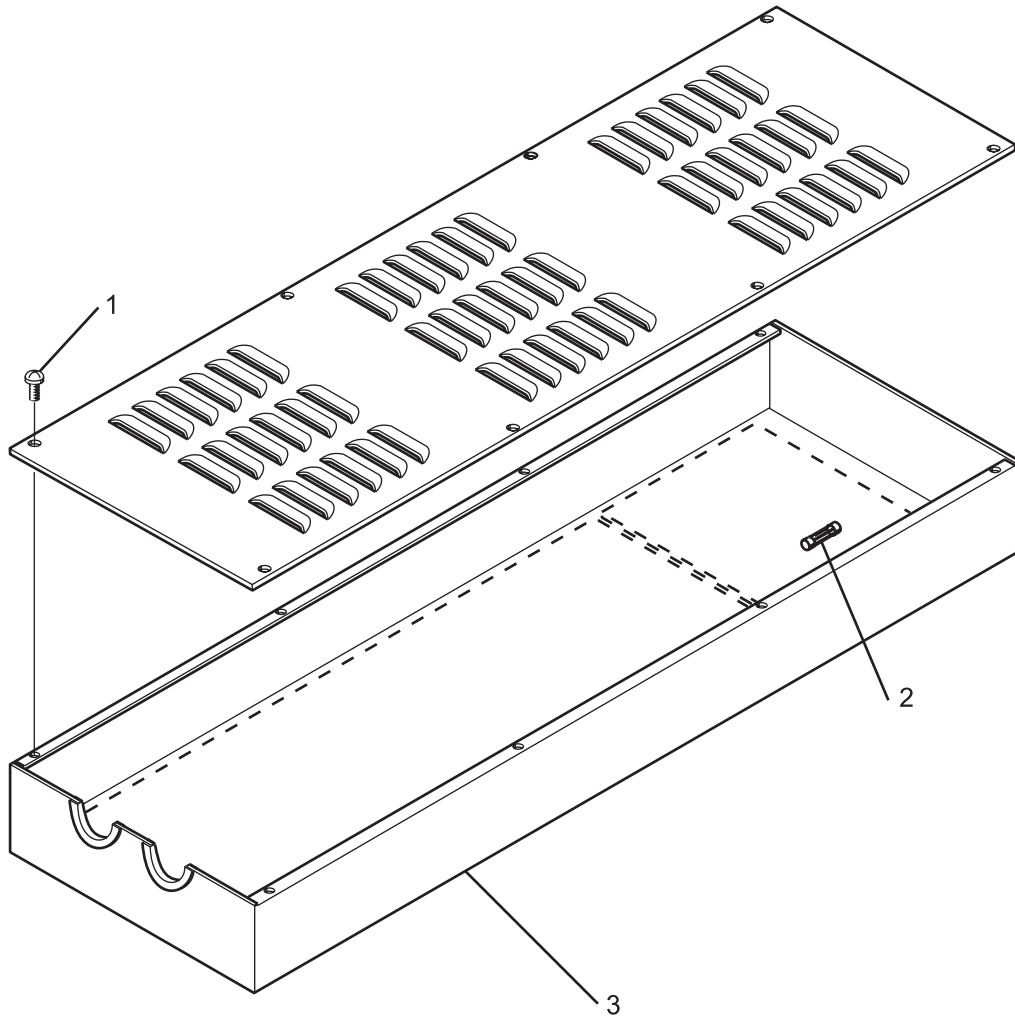
Index

No.	Part No.	Description
1.	11-012306-001	C.R. Pan Hd. Screw (#8-32 x 1/4")
2.	11-685019-000	Fuse - 4 Amp
3.	*57-860408-403	CCD Processor Box Assembly (includes PCBs) (Brunswick Repair/Exchange)
4.	57-215172-000	CCD Processor to Test Set Bracket Cable Assembly

** You must contact Brunswick Customer Service to determine the correct software for your center. Call 1-800-YES-BOWL (1-800-937-2695).*

Associated Interconnecting Cables

57-214895-000	Foul to CCD Processor
57-215171-000	Test Set Bracket Assembly to Test Set
57-215229-000	Pinsetter Interface to CCD Processor
57-215377-000	Camera to CCD Processor (Clock or Video) Coax
57-215379-000	Camera to CCD Processor
57-215391-000	Ball Detect to CCD Processor (Curtain Wall Mount)
57-215396-000	Pinsetter Interface to CCD Processor
57-215421-000	Pinsetter Interface to CCD Processor
57-215507-000	CCD Processor to AMF Interface (Curtain Wall Mount)
68-300226-000	CCD Processor to BowlerVision A/P Controller



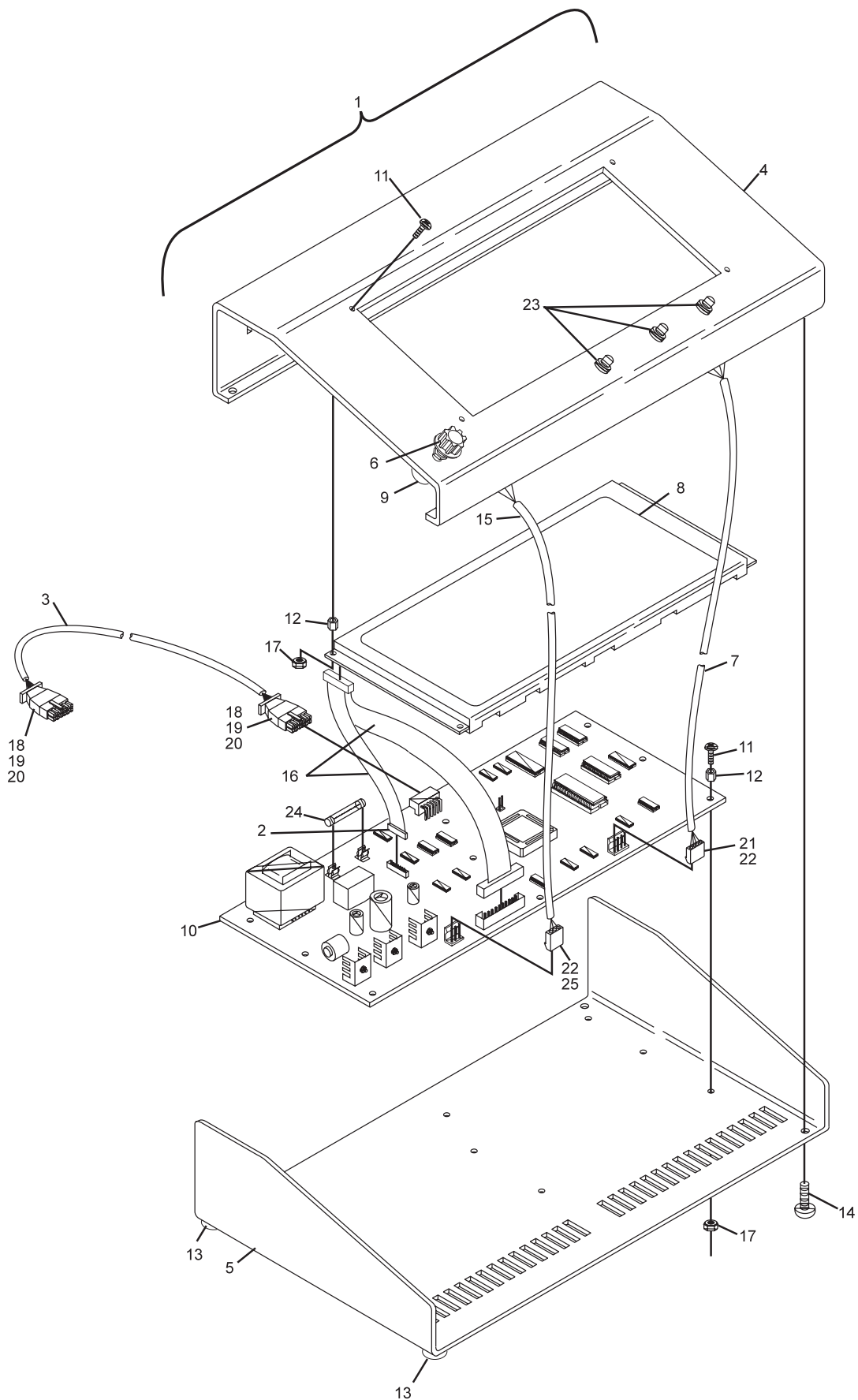
CCD Processor Box Assembly

Index

No.	Part No.	Description
1.	57-860376-400	CCD Camera Tester & Cable Package (Brunswick Repair/Exchange)
2.	11-692054-000	Connector
3.	57-215171-000	Camera Tester Cable Assembly
4.	57-215185-000	Test Box Cover
5.	57-215186-000	Test Box Bottom
6.	11-615479-000	Knob
7.	N.A.	Test Set Switch Cable Assembly
8.	57-215225-000	LCD
9.	11-693522-000	Potentiometer
10.	57-215106-400	Test Set Module Assembly
11.	11-012251-001	Pan Hd. C.R. Screw (#4-40 x 3/16")
12.	11-185355-000	Standoff
13.	57-214708-000	Bumper Foot
14.	11-012524-001	Pan Hd. C.R. Screw (#6-32 x 1/2")
15.	57-215221-000	Test Set/Pot Cable Assembly
16.	N.A.	CCD Tester Cable Assembly
17.	11-176009-001	Keps Nut (#4-40)
18.	11-692312-000	Connector
19.	11-692091-000	Terminal
20.	11-692080-000	Strain Relief
21.	11-697234-000	Connector
22.	11-680326-000	Terminal
23.	11-615018-000	Function Switch
24.	11-685021-000	Fast-Blo Fuse (2 Amp)
25.	11-697236-000	Connector

N.A. = No Longer Available

CCD Camera Tester & Cable Assembly



CCD Camera Tester & Cable Assembly

Index

No.	Part No.	Description
1.	57-860235-000	Ball Detector Assembly - Complete (includes Index nos. 2, 3 & 4)
2.	57-214902-000	Cable Assembly
3.	57-214920-000	Reflector and Bracket Assembly
4.	57-214921-000	Ball Detector Assembly
5.	11-697239-000	Connector
6.	11-680326-000	Terminal
7.	11-680201-000	Receptacle
8.	11-680301-000	Terminal
9.	57-214901-000	Bracket
10.	17-600771-000	Housing Assembly
11.	11-190004-001	Flat Washer (#8)
12.	11-195008-001	Lockwasher (#8)
13.	11-012308-001	Pan Hd. Screw (#8-32 x 3/8") - See Note 1
14.	17-600770-000	Housing Only
15.	17-600773-000	Plate
16.	53-600101-000	Reflector
17.	11-013007-001	Pan Hd. Screw (#4-40 x 9/16")
18.	11-195004-001	Lockwasher (#4)
19.	11-125000-001	Hex Nut (#4-40)
20.	11-082092-001	R.H. Self Tapping Screw (#10 x 1/2")
21.	11-195010-001	Lockwasher (#10)
22.	11-190006-001	Flat Washer (#10)
23.	11-040593-001	Wood Screw (#10 x 3/4") - See Note 2
24.	57-214900-000	Bracket
25.	99-080186-003	Housing Only
26.	11-013060-001	Pan Hd. Screw (#8-32 x 1/2")
27.	11-086307-001	Flat Hd. Screw (#4 x 1")
28.	99-080180-004	Spring
29.	57-214904-000	Photocell & Cable Assembly
30.	57-861237-000	Dual Ball Detector
31.	17-600702-000	Reflector

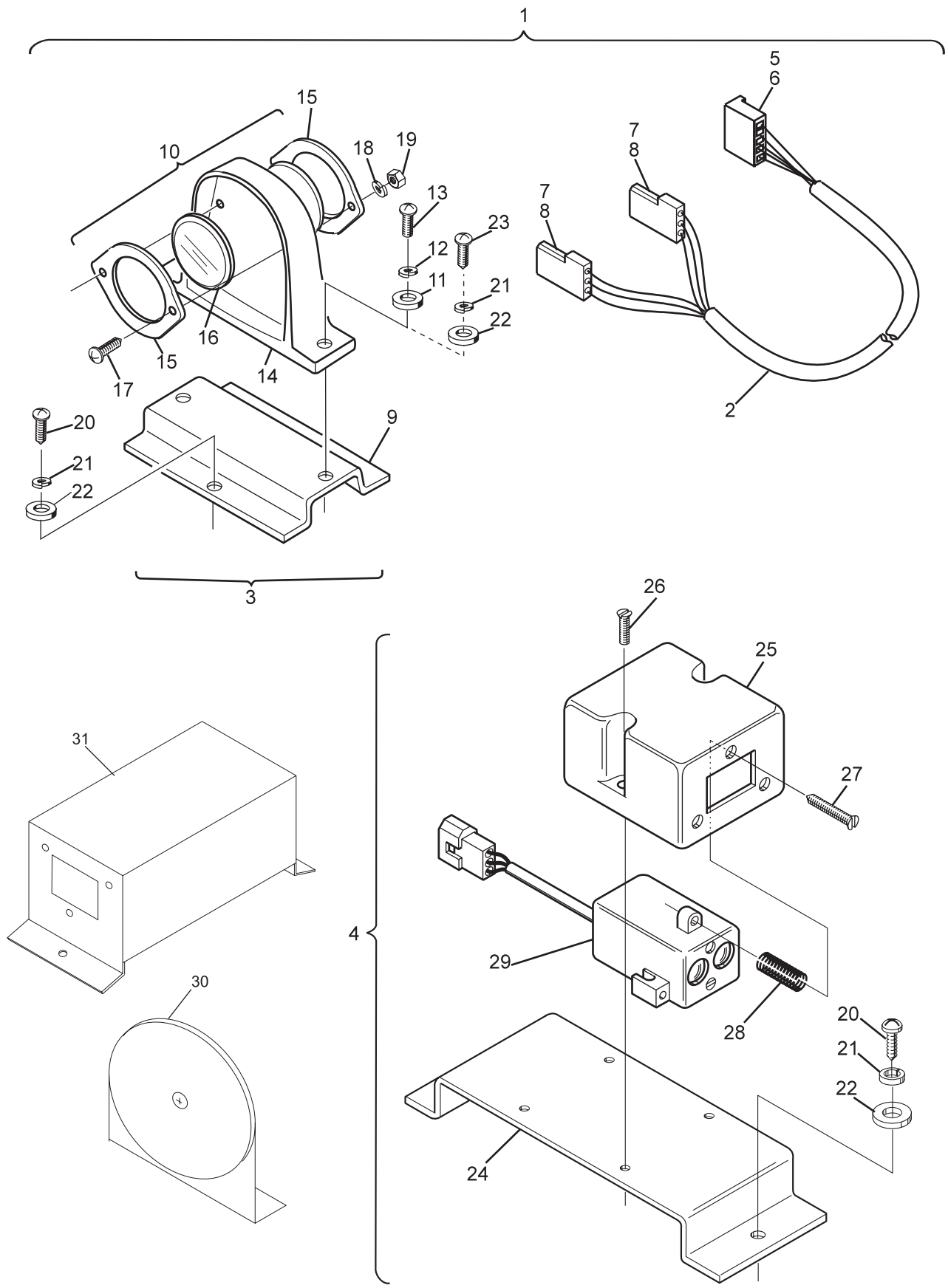
NOTE 1: Use if bracket is used.

NOTE 2: Use if going directly into capping.

Associated Interconnecting Cables

57-215391-000 Ball Detect to 86 Scanner or CCD Processor

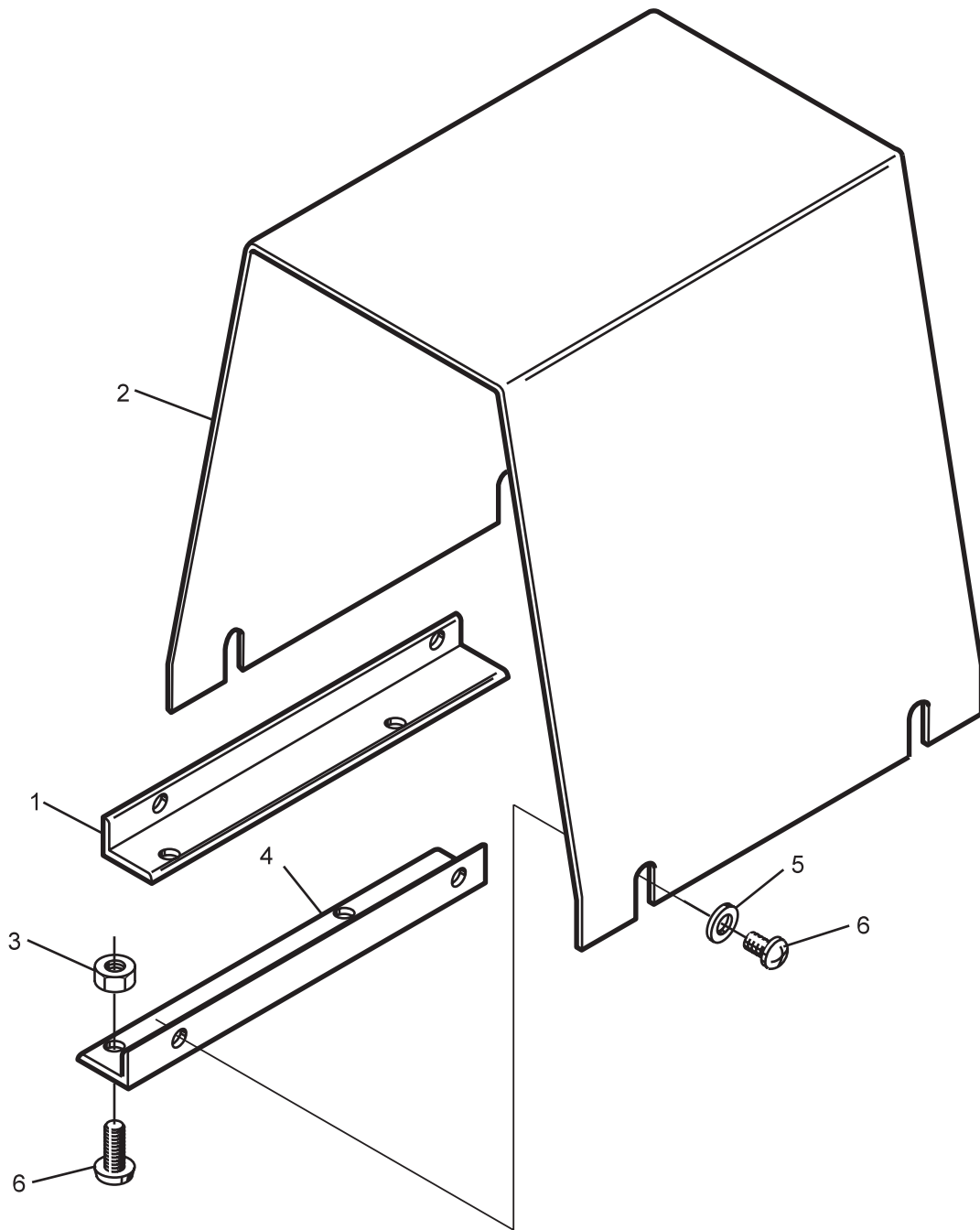
Reflector and Ball Detector Assemblies



Reflector and Ball Detector Assemblies

Index

No.	Part No.	Description
1.	57-215384-000	Bracket R.H.
2.	57-215385-000	Cover (Brown)
	57-215385-001	Cover (Grey)
3.	11-125007-001	Hex Nut (1/4-20)
4.	57-215394-000	Bracket L.H.
5.	11-190012-003	Plain Washer (1/4)
6.	11-012385-004	C.R. Pan Hd. Screw (1/4-20 x 3/4")

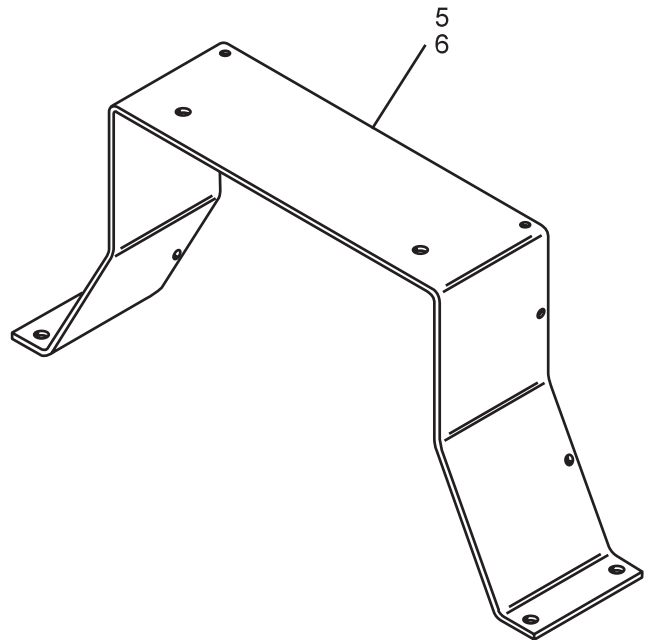
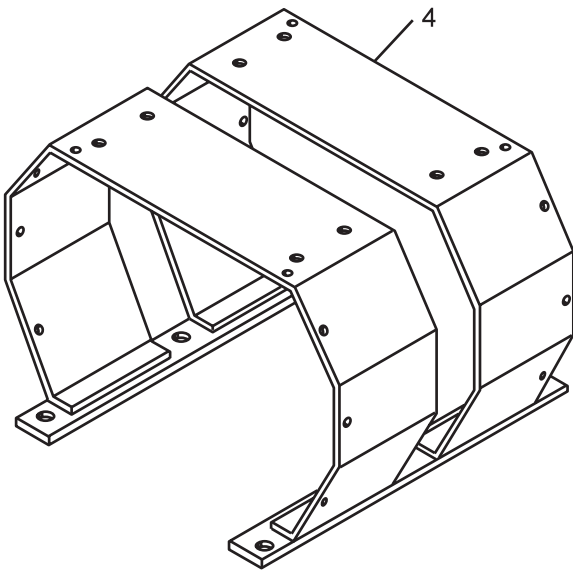
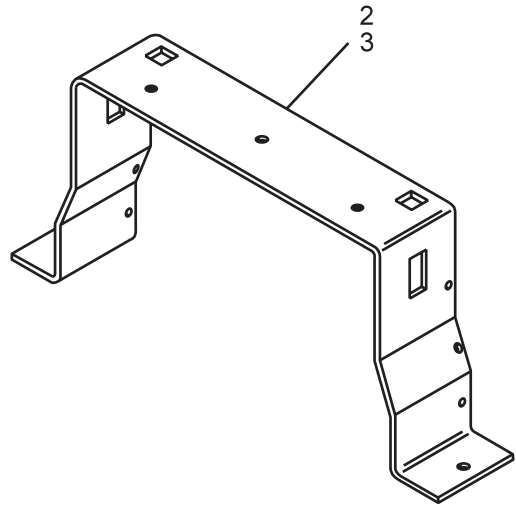
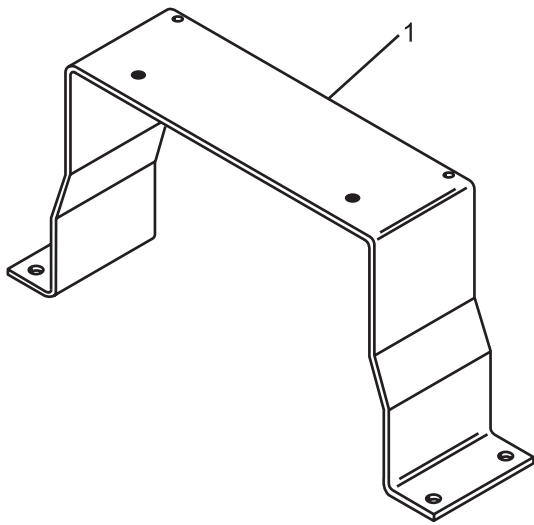


CCD Camera Mounting Cover Assembly

Index

No.	Part No.	Description
1.	57-215420-000	Support Bracket (Surface to Subway - 10-1/2" Returns) 6-3/8" High
2.	53-520349-000	Support Bracket (Concealed Surface - 9-1/2" Returns) 5-5/8" High
3.	53-520364-000	Support Bracket (Concealed Surface -10-1/2" Returns) 5-5/8" High
4.	N.A.	Support Bracket (Surface Returns)
5.	57-215400-000	Support Bracket (AMF Concealed Surface - 10-1/2" Returns) 6-7/8" High
6.	57-215387-000	Support Bracket (AMF Concealed Surface - 9-1/2" Returns) 6-7/8" High

N.A. = No Longer Available



CCD Camera Support Brackets

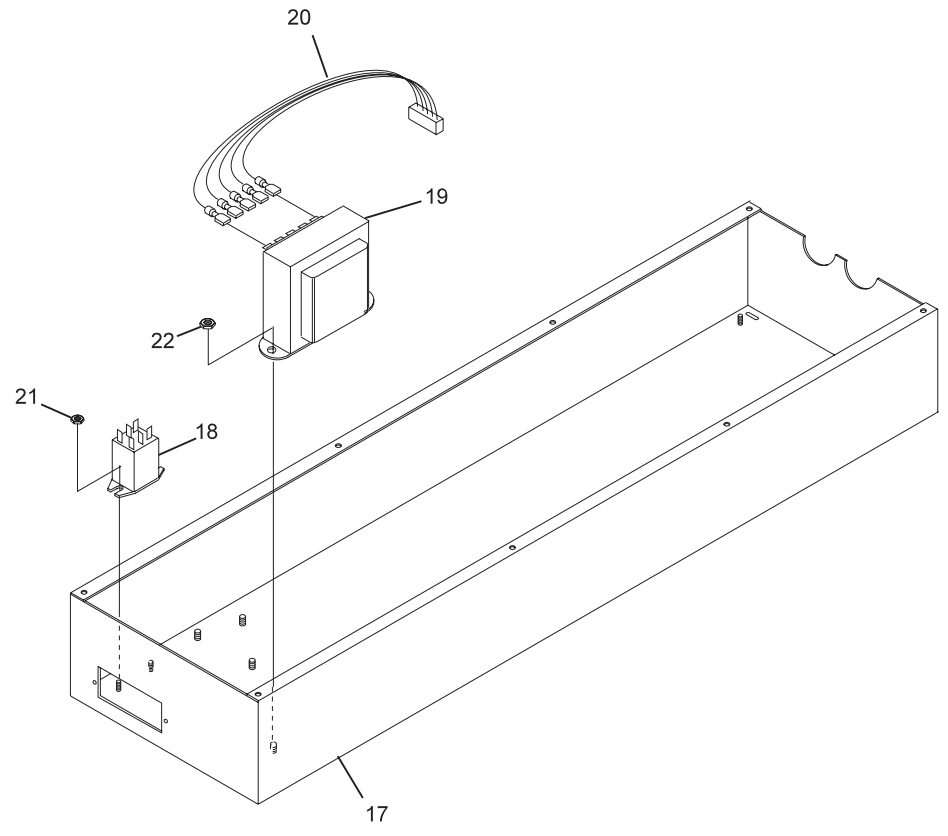
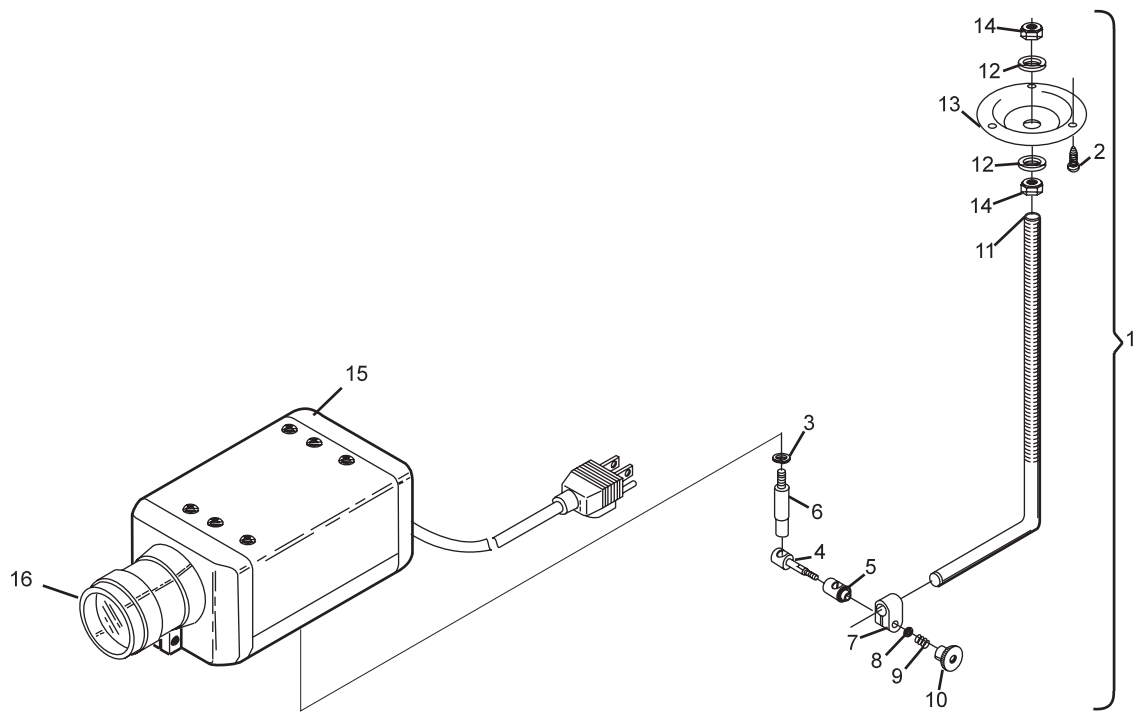
Index

No.	Part No.	Description
1.	68-100292-000	Camera Bracket Assembly
2.	N.A.	Pan Hd. C. R. Tapping Screw (#8-32 x 1-1/2")
3.	11-195014-001	Lockwasher (#1/4)
4.	68-100434-000	Pivot Arm
5.	68-100435-000	Pivot Arm Cover
6.	68-100436-000	Mount Arm
7.	68-100437-000	Vise
8.	68-100438-000	Eyelet
9.	68-100439-000	Spring
10.	68-100440-000	Knurled Knob
11.	68-100441-000	"L" Bracket
12.	11-190018-001	Plain Washer (#1/2)
13.	68-100444-000	Base
14.	11-125208-001	Hex Jam Nut (#1/2-13)
15.	68-860162-000	KP-111u-CCD Solid State CCTV Camera (Brunswick Repair/ Exchange)
16.	68-860161-000	Fujnon TV Lens (1:1.4/9mm) (Brunswick Repair/Exchange)
17.	68-100830-4xx	BowlerTrack Assembly (Brunswick Repair/Exchange)
18.	11-696622-000	Relay
19.	68-100834-000	Transformer
20.	68-100827-000	Power Cable Assembly (refer to Cable section for further breakdown)
21.	11-176009-001	Keps Nut
22.	11-176005-001	Keps Nut

N.A. = No Longer Available

Associated Interconnecting Cables

57-300031-000	Options Local LAN Out
57-691028-000	BowlerTrack Camera Video
57-300142-000	BowlerTrack Local LAN Adapter
57-300141-000	BowlerTrack Local LAN Extension
57-300403-000	BowlerTrack Local LAN w/Gamesetter
57-300404-000	BowlerTrack Local LAN w/o Gamesetter



Framework BowlerTrack System