

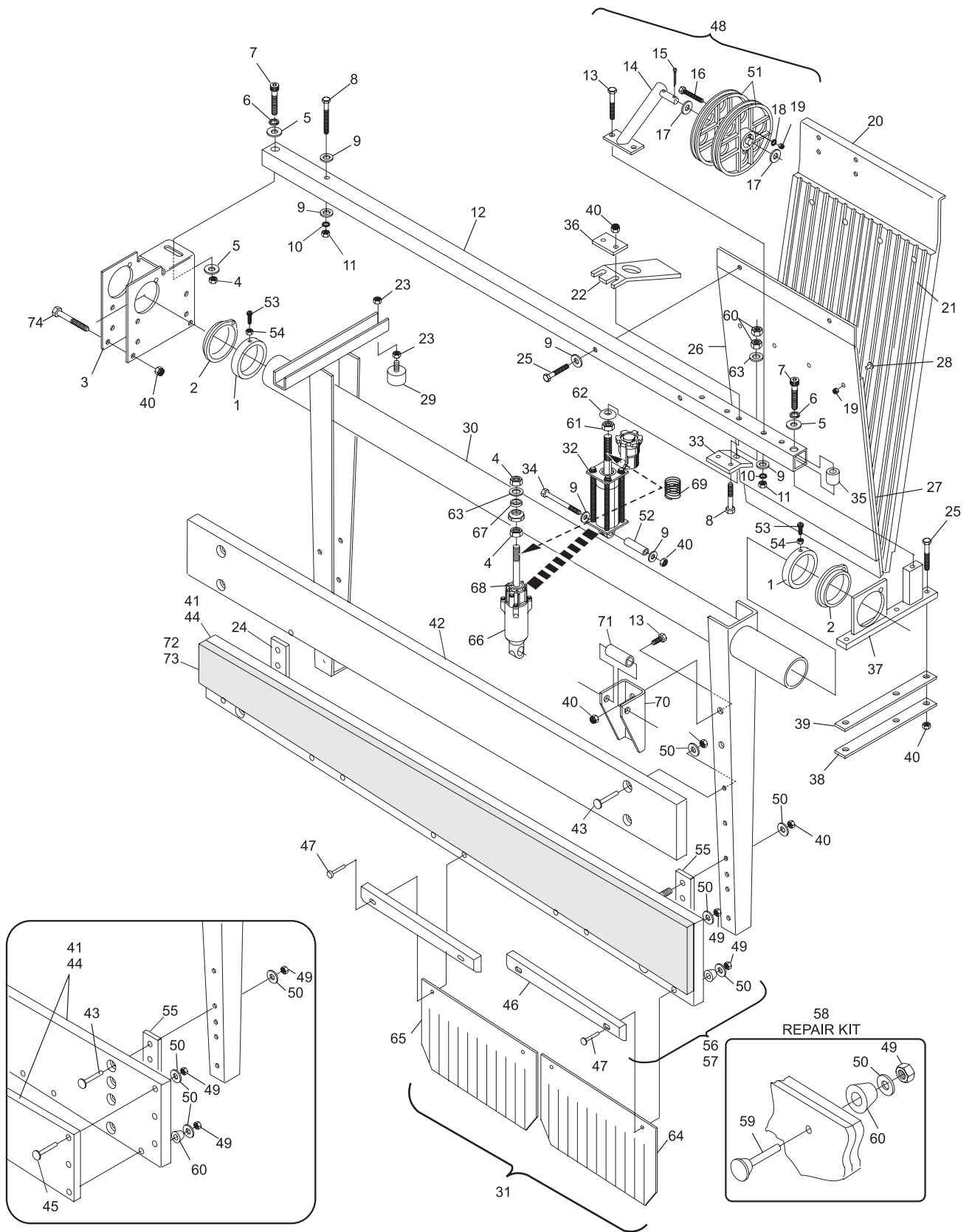
Section C

BALL CUSHION & PIT CURTAIN

Index			Index		
No.	Part No.	Description	No.	Part No.	Description
1.	47-020953-004	Stop Collar	35.	47-021110-004	Spacer
2.	99-010108-004	Bearing	36.	47-021120-004	Mounting Plate
3.	47-021466-001	Bearing Block	37.	47-020947-003	Bearing Block
4.	11-051706-001	Hex Nut (12 mm)	38.	N.A.	Wood Shim (5 mm)
5.	11-052024-001	N.A. Flat Washer (13 mm)	39.	47-021318-003	Wood Shim (10 mm)
	47-861010-001	R.O. Flat Washer (13 mm) Pkg. of 20	40.	11-051745-001	Locknut (10 mm)
6.	11-051772-001	Lockwasher (12 mm)	41.	47-025045-009	R.H. Ball Cushion Board w/Facing (even lane)
7.	11-051564-009	Socket Hd. Cap Screw (12 mm x 60 mm)	42.	47-021872-003	Top Ball Cushion Board
8.	11-051012-001	Hex Hd. Cap Screw (10 mm x 70 mm)	43.	11-052618-001	Carriage Bolt (10 mm x 50 mm)
9.	11-052050-001	Flat Washer (10.5 mm)	44.	47-025044-009	L.H. Ball Cushion Board w/Facing (odd lane)
10.	11-051771-001	Lockwasher (10 mm)	45.	11-052603-001	Carriage Bolt (8 mm x 45 mm)
11.	11-051703-001	Hex Nut (10 mm)	46.	47-021010-003	Impact Strip (Black)
12.	47-020948-003	Transverse Bar	47.	11-051055-001	Hex Hd. Cap Screw (8 mm x 60 mm)
	47-024077-003	Transverse Bar (short pit)	48.	47-021195-002	Pulley Holder Complete
13.	11-051058-001	Hex Hd. Cap Screw (10 mm x 55 mm)	49.	11-051744-001	Locknut (8 mm)
14.	47-021009-002	Pulley Holder	50.	11-052018-001	Flat Washer (10.5 mm)
15.	11-051786-001	Split Pin (2.5 mm x 25 mm)	51.	47-022410-003	Pulley w/Bearing
16.	11-051014-001	Hex Hd. Cap Screw (6 mm x 45 mm)	52.	47-021112-004	Bushing
17.	11-052012-001	Flat Washer (18 mm)	53.	11-051515-001	Socket Hd. Cap Screw (6 mm x 18 mm)
18.	11-052048-001	Flat Washer (6.4 mm)	54.	11-051702-001	Hex Nut (6 mm)
19.	11-051743-001	Locknut (6 mm)	55.	47-021488-004	Long Spacer
20.	N.A.	Long Brake Plate (for single feed distributors)	56.	N.A.	L.H. Ball Cushion Frame Assembly odd lane Complete
21.	N.A.	Rubber Material (rear)	57.	N.A.	R.H. Ball Cushion Frame Assembly even lane Complete
22.	47-022098-004	Hydraulic Protector Plate	58.	47-274281-009	Ball Cushion Repair Kit
23.	11-051704-001	Hex Nut (8 mm)	59.	47-024276-004	Rubber Head Screws
24.	47-021489-004	Short Spacer	60.	47-023660-004	Cap
25.	11-051052-001	Hex Hd. Cap Screw (10 mm x 45 mm)	61.	N.A.	Jam Nut (12 mm x 8 mm)
26.	N.A.	Short Brake Plate	62.	47-021119-004	Special Round Top Nut (12 mm)
27.	N.A.	Rubber Material (forward)	63.	11-052015-001	Flat Washer (13 mm)
28.	11-051879-001	N.A. Truss Hd. Machine Screw (6 mm x 20 mm)	64.	N.A.	R.H. Cushion Flap (even lane)
	47-861007-001	R.O. Truss Hd. Machine Screw (6 mm x 20 mm) Pkg. of 5	65.	N.A.	L.H. Cushion Flap (odd lane)
29.	11-053578-000	Rubber Bumper - male (8 mm)	66.	99-020402-002	N.A. Ball Cushion Hydraulic - Complete (all GS Pinsetters)
30.	47-025639-009	Ball Cushion Frame w/Bracket (for both R.H. and L.H. machines)		99-026121-000	R.O. Ball Cushion Hydraulic Assembly
31.	47-274888-009	Cushion Flap Kit Complete	67.	47-021108-004	Spacer (used in new and old Shock)
32.	N.A.	Ball Cushion Hydraulic Complete	68.	11-055351-000	Sealing Ring (all GS Shocks)
	99-020402-002	N.A. Cushion Flap Assembly	69.	47-071602-004	Compression Spring
	99-026121-000	R.O. Hydraulic Ball Cushion Assembly	70.	47-025637-003	Bracket
33.	N.A.	Hydraulic Mounting Plate	71.	47-025638-004	Spacer
34.	11-051013-001	Hex Hd. Cap Screw (10 mm x 90 mm)			

N.A. = No Longer Available
R.O. = Replacement Option

Ball Cushion Assembly



Ball Cushion Assembly

No.	Index Part No.		Description
1.	*47-092332-003	S.O.	R.H. Overflow Chute Complete (long pit version)
	*47-095186-009	N.A.	R.H. Overflow Chute Complete (short pit version) - see page 6C
	47-095740-009	R.O.	R.H. Overflow Chute w/o Sock
2.	11-051043-001		Hex Hd. Cap Screw (8 mm x 12 mm)
3.	11-052361-001		Pan Hd. Machine Screw (5 mm x 12 mm)
4.	11-051744-001		Locknut (8 mm)
5.	11-051742-001		Locknut (5 mm)
6.	11-052019-001		Flat Washer (8.4 mm)
7.	11-052039-001		Fender Washer (5.3 mm)
8.	11-603301-000		Overflow Chute Clamp
	47-862780-000		Chute Clamp Kit (consists of 10 clamps only - no banding)
9.	47-092529-000		Sock (White)
	47-092529-600		Sock - heavy duty (White)
	47-022531-000		Sock (Black)
10.	**47-092333-003	S.O.	L.H. Overflow Chute Complete (long pit version)
	**47-095187-009	N.A.	L.H. Overflow Chute Complete (short pit version) - see page 6C
	47-095739-009	R.O.	L.H. Overflow Chute w/o Sock
11.	47-092298-003		Sock Brace Only
12.	47-092527-000		Pin Wipe
13.	47-092310-004		Felt (for Sock Brace)
14.	47-092448-004		Felt (for inside wall, long pit version)
	47-094073-004		Felt (for inside wall, short pit version)
15.	47-092449-004		Felt (for bottom, long pit version)
	47-094075-004		Felt (for bottom, short pit version)
16.	47-092450-004		Felt (for outside wall, long pit version)
	47-094076-004		Felt (for outside wall, short pit version)
17.	N.A.		R.H. Overflow Chute Only (long pit version)
	N.A.		R.H. Overflow Chute Only (short pit version)
18.	N.A.		L.H. Overflow Chute Only (long pit version)
	N.A.		L.H. Overflow Chute Only (short pit version)
19.	47-093749-004		Bracket
20.	47-094355-004		Bracket
21.	11-053575-000		Rubber Mount
22.	47-094356-004		Mounting Plate
23.	47-094357-003		Plate
24.	11-053585-000		Rubber Bumper
25.	11-052928-001		Countersunk Screw (6 mm x 10 mm)
26.	11-052048-001		Flat Washer (6.4 mm)
27.	11-051743-001		Locknut (6 mm)
28.	11-052369-001		Pan Hd. Machine Screw (5 mm x 16 mm)
29.	11-051011-001		Hex Hd. Cap Screw (8 mm x 50 mm)
30.	11-052006-001		Flat Washer (8.4 mm)
31.	11-051038-001		Hex Hd. Cap Screw (8 mm x 16 mm)

N.A. = No Longer Available

R.O. = Replacement Option

S.O. = Special Order

* Includes Index Nos. 3,5,7,8,9,11,13,14,15,16 and 17

** Includes Index Nos. 3,5,7,8,9,11,13,14,15,16 and 18

Dual Feed Overflow Chute

Index

No.	Part No.	Description
1.	11-051030-001	Hex Hd. Cap Screw (5 mm x 20 mm)
2.	11-052039-001	Flat Washer (5.3 mm)
3.	11-051742-001	Locknut (5 mm)
4.	11-051744-001	Locknut (8 mm)
5.	11-051043-001	Hex Hd. Cap Screw (8 mm x 12 mm)
6.	47-022531-000	Sock (Black)
	47-092529-600	Sock - heavy duty (White)
7.	11-603301-000	Overflow Chute Clamp
8.	*47-095739-009	L.H. Plastic Chute
9.	*47-095740-009	R.H. Plastic Chute
10.	47-095080-004	Support Bracket
11.	47-093937-003	N.A. L.H. Chute Assembly
	47-095739-009	R.O. L.H. Chute Assembly w/o Sock
	47-093938-003	N.A. R.H. Chute Assembly
	47-095740-009	R.O. R.H. Chute Assemblyw/o Sock
12.	47-860003-000	Pin Wipe
13.	47-093749-004	Chute Bracket

N.A. = No Longer Available

R.O. = Replacement Option

* When ordering - order the new style chute part numbers:

47-095738-001 L.H. Plastic Chute - only

47-095737-001 R.H. Plastic Chute - only

And order upgrade kit 47-275731-009 to upgrade to a shock mounted overflow chute, contains parts for two chutes.

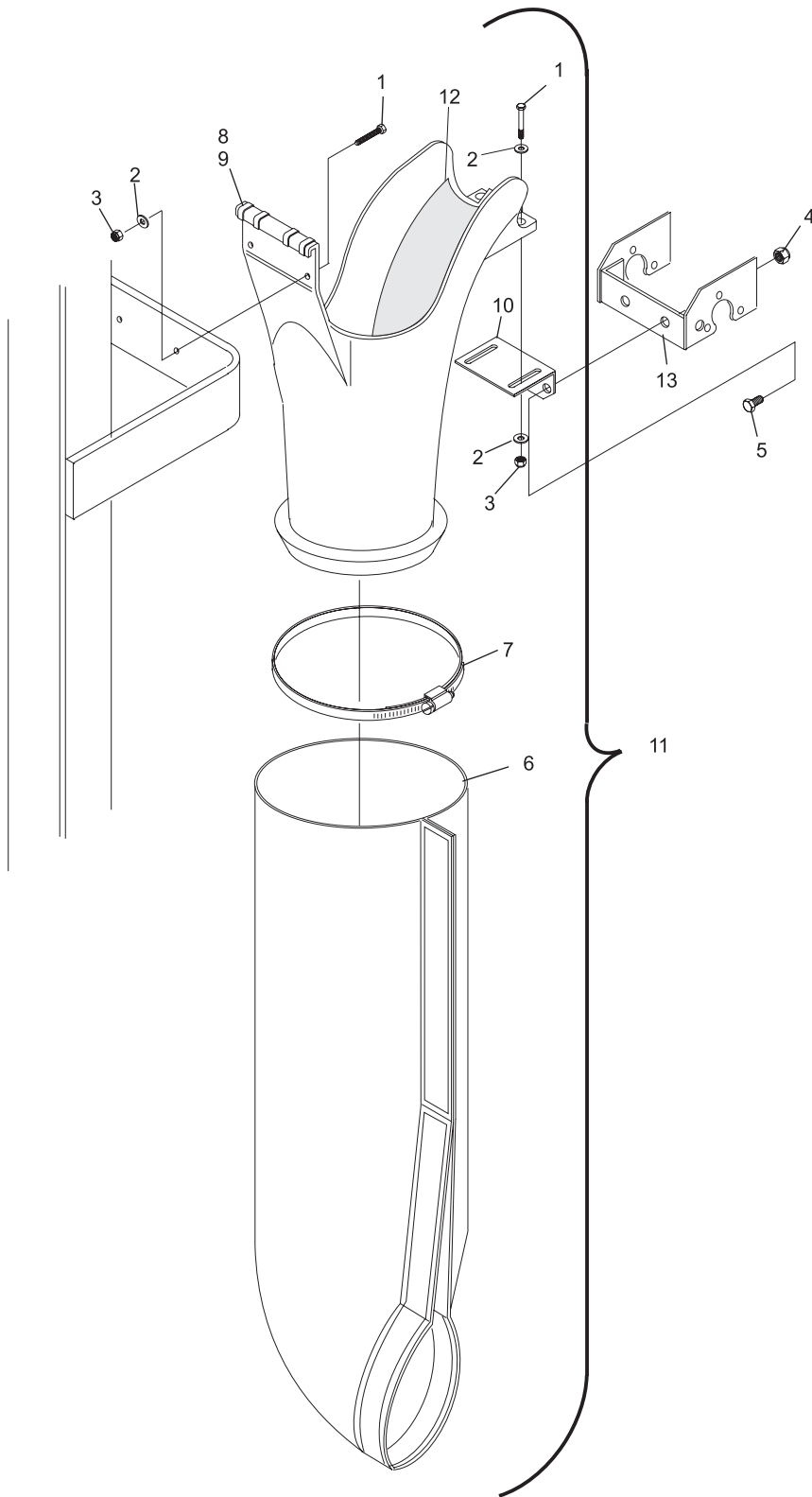
** Order new shock mounted overflow chutes:

47-095740-009 R.H. Chute Assembly w/out Sock

47-095739-009 L.H. Chute Assembly w/out Sock

Reference page 11C.

Dual Feed Overflow Chute (Plastic)



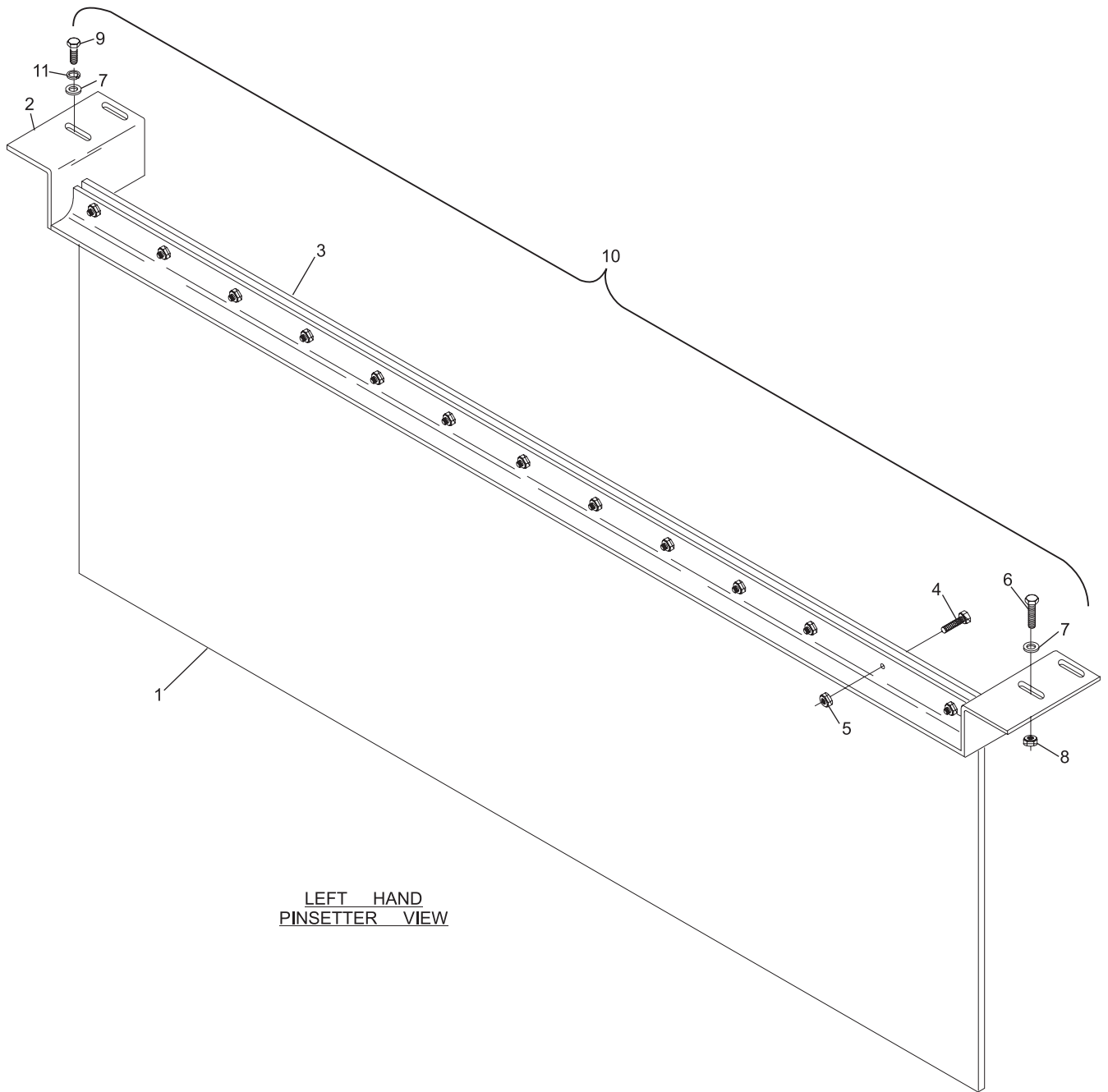
**Dual Feed Overflow Chute
(Plastic)**

Index

No.	Part No.	Description
1.	47-021084-004	Curtain
2.	47-021088-002	Pit Curtain Holder
3.	N.A.	Pit Curtain Support Bracket
4.	11-051533-001	Socket Hd. Cap Screw (8 mm x 25 mm)
5.	11-051744-001	Locknut (8 mm)
6.	11-051015-001	Hex Hd. Cap Screw (8 mm x 25 mm)
7.	11-052006-001	Flat Washer (8.4 mm)
8.	11-051745-001	Locknut (10 mm)
9.	11-051010-000	N.A. Hex Head Cap Screw (8 mm x 20 mm)
10.	47-021196-002	Pit Curtain Assembly Complete
11.	11-051770-001	Lockwasher (8 mm)

N.A. = No Longer Available

Pit Curtain Assembly



LEFT HAND
PINSETTER VIEW

Pit Curtain Assembly

Index

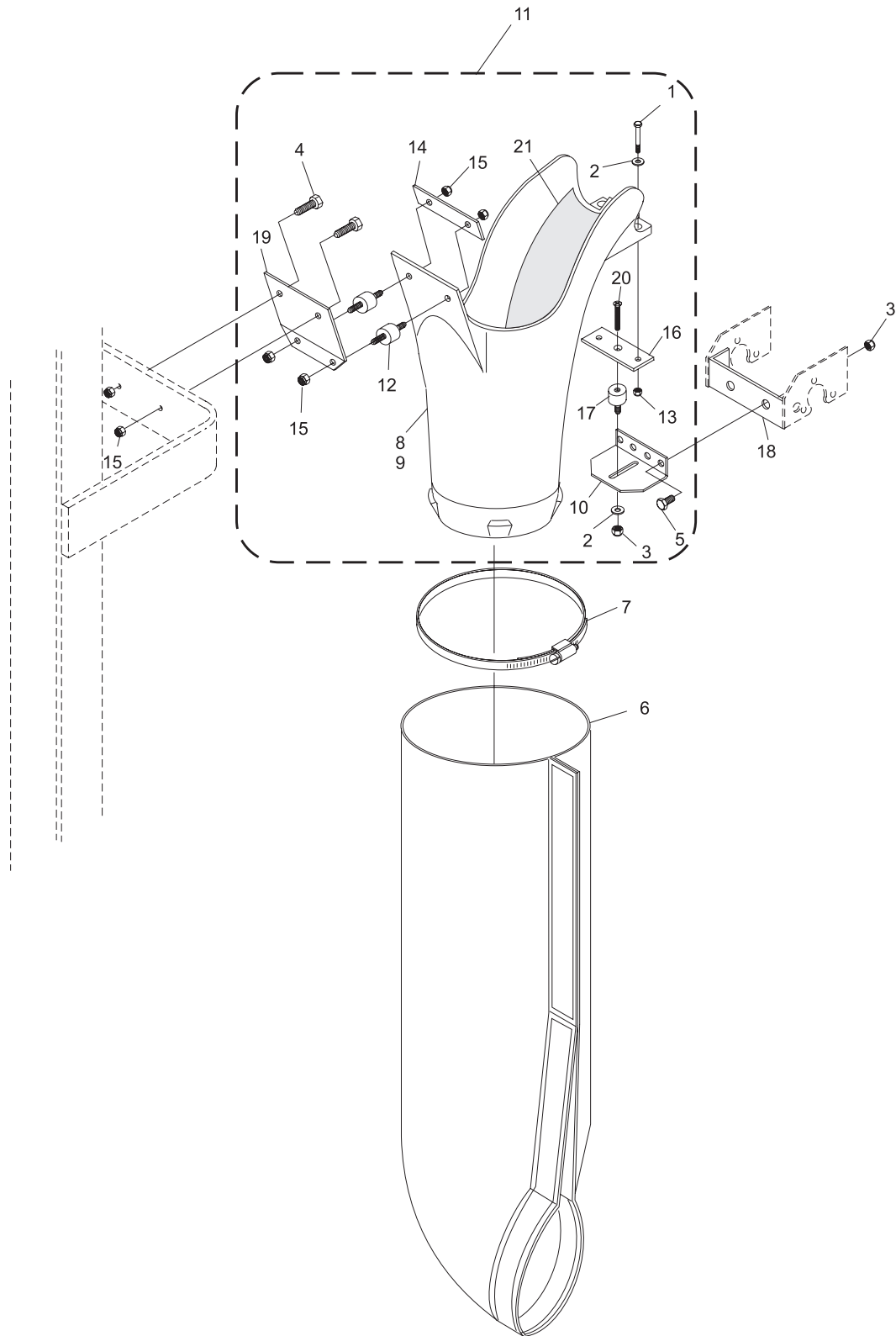
No.	Part No.		Description
1.	11-051004-001	N.A.	Hex Hd. Cap Screw (5 mm x 25 mm)
	47-861001-001	R.O.	Hex Hd. Cap Screw (5 mm x 25 mm) Pkg. of 10
2.	11-052039-001		Flat Washer (5.3 mm)
3.	11-051744-001		Locknut (8 mm)
4.	11-051035-001		Hex Hd. Cap Screw (6 mm x 16 mm)
5.	11-051038-001		Hex Hd. Cap Screw (8 mm x 16 mm)
6.	47-022531-000		Sock (Black)
	47-092529-600		Sock - heavy duty (White)
7.	11-603301-000		Overflow Chute Clamp
8.	47-095738-001		L.H. Plastic Chute - only
9.	47-095737-001		R.H. Plastic Chute - only
10.	47-095728-004		Angle Bracket
11.	47-095740-009		R.H. Chute Assembly w/out Sock
	47-095739-009		L.H Chute Assembly w/out Sock
12.	11-053587-000		Rubber Bumper (25 mm x 15mm)
13.	11-051742-001		Locknut (5 mm)
14.	47-095727-004		Pressure Plate
15.	11-051743-001		Locknut (6 mm)
16.	47-095726-004		Mounting Plate
17.	11-053588-000		Rubber Bumper (30 mm x 20 mm)
18.	47-093749-004		Bracket
19.	47-095729-004		Mounting Bracket
20.	11-052938-001		Flat Hd. Screw (8 mm x 12 mm)
21.	47-860003-000		Pin Wipe
22.	*47-275731-009		Overflow Chute Conversion Kit (contains index numbers: 2, 3, 4, 5, 10, 12, 14, 15, 16, 17, 19 and 20)

N.A. = No Longer Available

R.O. = Replacement Option

* Not illustrated

Shock Mounted Dual Feed Overflow Chute (Plastic)



**Shock Mounted Dual Feed Overflow Chute
(Plastic)**

Intentionally Blank Page