

Section J

DISTRIBUTOR

| Index | | | Index | | |
|-------|----------------|---|-------|------------------|---|
| No. | Part No. | Description | No. | Part No. | Description |
| 1. | 47-094344-003 | Front Pulley Shaft | 46. | 47-093863-003 | Round Belt Pulley |
| 2. | 47-091905-003 | R.H. Turn Plate | | 47-275748-009 | 2-Piece Pulley Kit |
| 3. | 11-051038-001 | Hex Hd. Cap Screw (8 mm x 16 mm) | 47. | 47-094353-004 | PVC Spacer |
| 4. | N.A. | Distributor Frame Complete | 48. | 47-094347-003 | Bearing Shell |
| 5. | 47-090547-004 | Spur Gear w/25 mm Collar | 49. | 47-094346-003 | Bearing Shell w/Shoulder |
| | 47-275746-009 | Two Piece Gear Kit | 50. | 47-094351-003 | Washer |
| 6. | 47-092300-004 | Polycord Roll (12 mm dia. x 44 meters Lg.) | 51. | 11-430013-000 | Bearing |
| | 47-092300-005 | Polycord Roll (13 mm dia. x 20 meters Lg.) | 52. | 11-051010-001 | Hex Hd. Cap Screw (8 mm x 20 mm) |
| 7. | 11-051770-001 | Lockwasher (8 mm) | 53. | 11-052006-001 | Washer (8.4 mm) |
| 8. | 11-051744-001 | Hex Nut (8 mm) | 54. | 47-094349-001 | Front Shaft Assembly |
| 9. | 47-090989-002 | Double Pulley | 55. | 47-091854-004 | N.A. Vinyl (long pit version) |
| 10. | 11-053903-000 | V-Belt (13 mm x 8 mm x 1375 mm) | | 47-092345-004 | R.O. Vinyl (short pit version) |
| 11. | 11-054102-001 | Spacer Flat Washer (25 mm) | 56. | 47-092476-004 | Pin Turn Device (left-hand) |
| 12. | 11-051856-001 | Retaining Ring (25 mm) | 57. | 47-092475-004 | Pin Turn Device (right-hand) |
| 13. | 47-091904-003 | Turn Plate (left-hand) | 58. | N.A. | Slider Only (hardware not included) |
| 14. | N.A. | Dual Feed Distributor Assembly Complete | 59. | 47-092265-003 | Extension Rails (L.H./R.H., for Dual Feed Distributor, for short pit) |
| 15. | N.A. | Pulley Holder (left-hand) | | 47-092249-002 | L.H./R.H. Extension Rails for Dual Feed Distributor (long pit) |
| 16. | 47-092193-003 | Pulley Holder (right-hand) | 60. | 47-094712-003 | Bracket |
| 17. | 47-092271-004 | N.A. Pin Guide | | ***47-274806-009 | Guide Rail Extension Kit |
| 18. | 47-091277-002 | Slider Mount | 61. | 47-092479-003 | R.H. Guide Bracket |
| 19. | **N.A. | Slider Assembly | 62. | 11-051018-001 | Hex Head Cap Screw (6 mm x 20 mm) |
| 20. | 47-091284-002 | Slider Assembly Complete | 63. | 47-093760-002 | Distributor Station (pin no. 7, steel) |
| 21. | 47-090969-003 | Pin Stop | | 47-091890-002 | Distributor Stations (pin nos. 2,3,8,9, and 10, steel) |
| 22. | 11-051520-001 | Socket Hd. Cap Screw (6 mm x 30 mm) | | 47-092211-002 | Distributor Stations (pin nos. 1 and 6, steel) |
| 23. | 11-051515-001 | Socket Hd. Cap Screw (6 mm x 18 mm) | 64. | 47-092186-003 | Bracket |
| 24. | 11-054449-000 | Hex Hd. Self-Tapping Screw (K70 x 18 mm) | 65. | 47-092478-003 | L.H. Guide Bracket |
| 25. | 11-052019-001 | Flat Washer (8.4 mm) | 66. | 47-095050-003 | Plastic Bearing |
| 26. | 11-051852-001 | Retaining Ring (17 mm) | 67. | 47-093910-003 | R.H. Shark Rail |
| 27. | 11-052804-001 | Set Screw (6 mm x 8 mm) (for Pulley Hub) | 68. | 47-093911-003 | L.H. Shark Rail |
| 28. | 11-051546-001 | Hex Hd. Cap Screw (5 mm x 40 mm) | 69. | 47-092238-003 | R.H. Distributor Rail - long |
| 29. | 11-052039-001 | Flat Washer (5.3 mm) | 70. | 47-092239-003 | S.O. L.H. Distributor Rail - long |
| 30. | 11-051742-001 | Locknut (5 mm) | 71. | 47-275730-009 | Distributor Repair Kit |
| 31. | 47-092415-003 | Pulley w/Bearing | 72. | 47-092454-004 | Rail - short (front) |
| 32. | 47-092496-004 | N.A. Pin Guide | 73. | 47-092242-002 | S.O. L.H. Plate - upper |
| 33. | 11-051743-001 | Locknut (6 mm) | 74. | 47-095146-003 | S.O. L.H. Plate - lower |
| 34. | 11-052037-001 | Flat Washer (6.4 mm) | 75. | 47-093883-004 | Shaft |
| 35. | 47-092202-004 | Shaft | 76. | 47-094345-003 | N.A. Middle Shaft |
| 36. | 47-092203-004 | Shaft | 77. | 47-095144-003 | S.O. R.H. Plate - lower |
| 37. | 47-092199-003 | N.A. Bracket | 78. | 47-092243-002 | R.H. Plate - upper |
| 38. | 47-091512-003 | N.A. Flat Spring | 79. | 47-092474-004 | N.A. Pin Turn Pad |
| 39. | 47-092206-004 | Shaft | 80. | 47-092237-003 | S.O. L.H. Front Rail |
| 40. | 47-093874-004 | Clamp | 81. | 47-092234-003 | S.O. R.H. Front Rail |
| 41. | 47-093547-004 | Gear | | | |
| 42. | 47-093741-002 | S.O. Dust Pan | | | |
| 43. | 47-093771-004 | Felt Pad | | | |
| 44. | *11-676027-000 | N.A. Contact Cement - quart | | | |
| | *11-676047-000 | Contact Cement - gallon | | | |
| 45. | 47-093587-004 | Dowel Pin (3 mm x 15 mm) | | | |

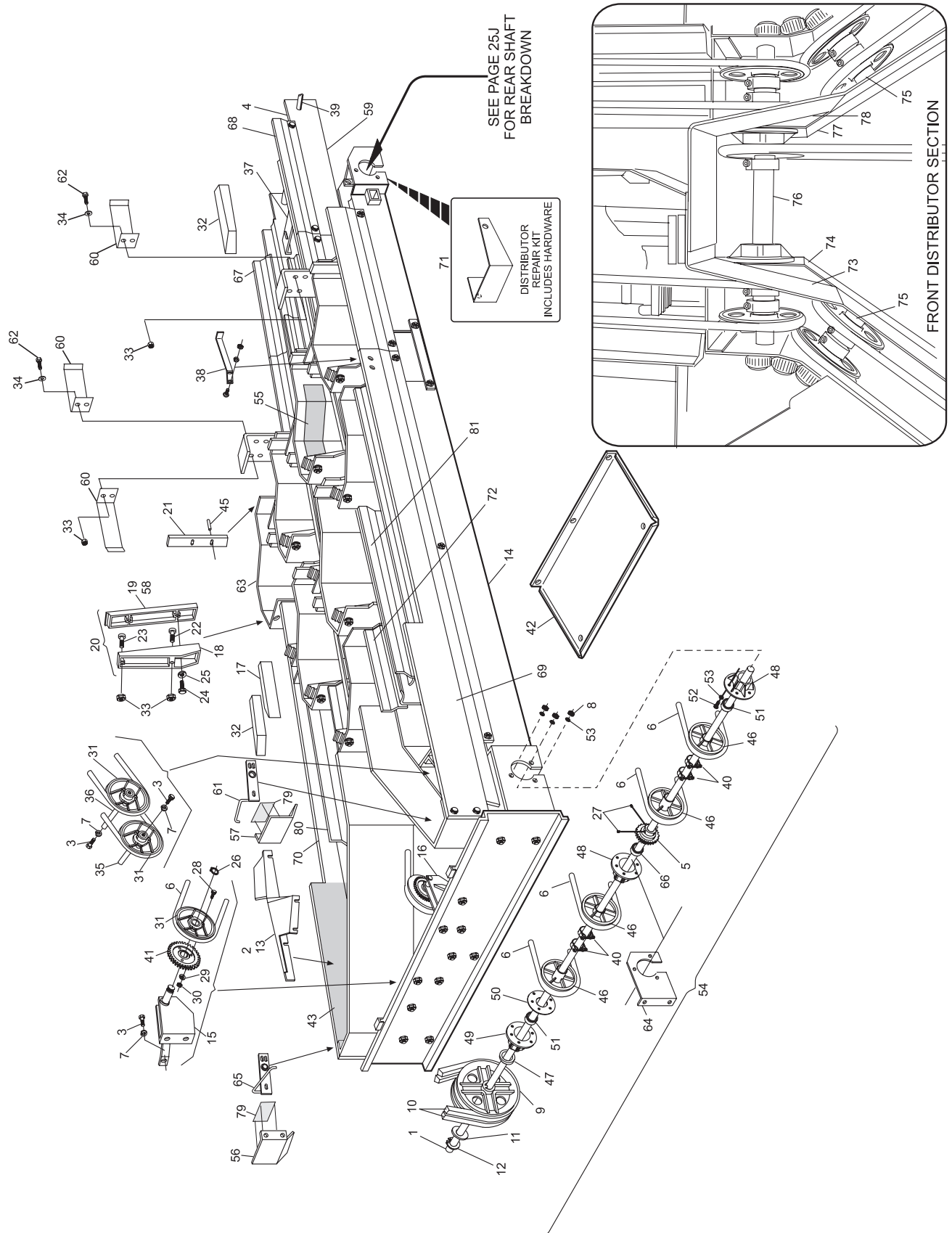
N.A. = No Longer Available
R.O. = Replacement Option
S.O. = Special Order

* Not Illustrated

** Includes index nos. 24, 25 & 58.

*** Includes index nos. 60, 33, 62, & 34.

Dual Feed Distributor



Dual Feed Distributor

Index

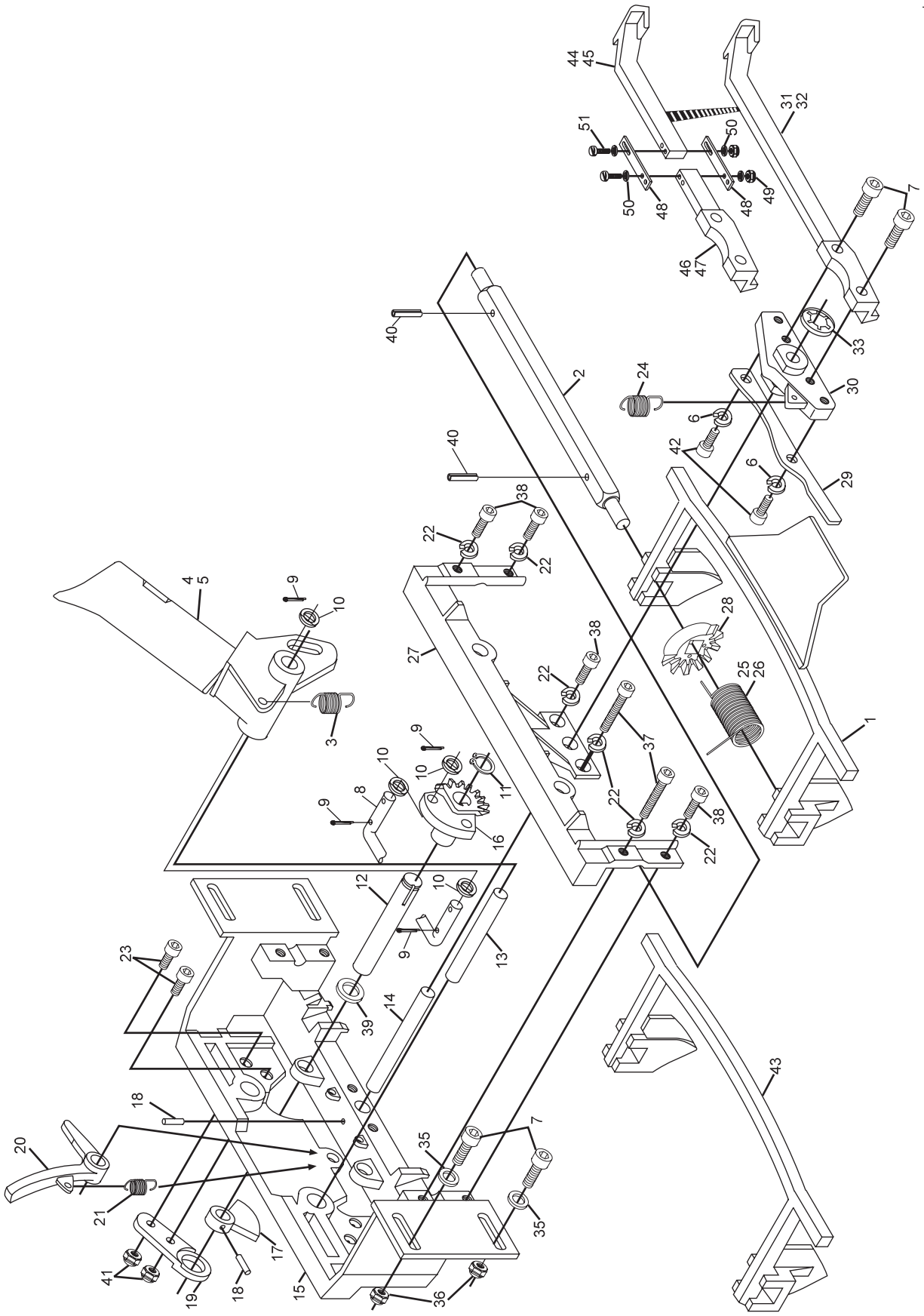
| No. | Part No. | Description |
|------------|-----------------|---|
| 1. | 47-091690-002 | Retaining Bow w/Flap |
| 2. | 47-091694-004 | Square Spindle |
| 3. | 47-090581-004 | Tension Spring |
| 4. | 47-092442-003 | R.H. Ejector Flap |
| 5. | 47-092441-003 | L.H. Ejector Flap |
| 6. | 11-051769-001 | Lockwasher (6 mm) |
| 7. | 11-051515-001 | Socket Hd. Cap Screw (6 mm x 18 mm) |
| 8. | 47-090568-004 | Bow |
| 9. | 11-051791-001 | Split Pin (1.6 mm x 10 mm) |
| 10. | 47-090575-004 | N.A. Flat Washer (6.5 mm) |
| 11. | 11-051855-001 | Retaining Ring (10 mm) |
| 12. | 47-090570-004 | Shaft |
| 13. | 47-090572-004 | Shaft |
| 14. | 47-090571-004 | Shaft |
| 15. | 47-090565-002 | N.A. Bottom Housing |
| 16. | 47-090560-004 | N.A. Bevel Wheel w/Cam |
| 17. | 47-090557-004 | N.A. Cam |
| 18. | 11-052681-001 | Rolled Pin (3 mm x 16 mm) |
| 19. | 47-090558-004 | Cam Retainer |
| 20. | 47-090556-004 | Retaining Lever |
| 21. | 47-094352-004 | Tension Spring |
| 22. | 11-051768-001 | Lockwasher (5 mm) |
| 23. | 11-051523-001 | Socket Hd. Cap Screw (5 mm x 10 mm) |
| 24. | 47-090580-004 | Tension Spring |
| 25. | 47-090577-004 | R.H. Torsion Spring (Pin Nos. 2,4,6,8 & 10) |
| 26. | 47-090578-004 | L.H. Torsion Spring (Pin Nos. 1,3,5,7 & 9) |
| 27. | 47-090562-003 | Top Housing |
| 28. | 47-090559-004 | Bevel Wheel |
| 29. | 47-091693-004 | Clamping Lever |
| 30. | 47-091692-004 | Pivoting Lever |
| 31. | N.A. | Release Lever Pin (Pin Nos. 1,4,5 & 6) |
| 32. | N.A. | Release Lever Pin (Pin Nos. 2,3,7,8,9 & 10) |
| 33. | 11-053478-001 | Speed Nut (8 mm) |
| 34. | *N.A. | Pin Station Complete (Pin Nos. 1, 5 & 6) |
| | *N.A. | Pin Station Complete (Pin Nos. 2, 3, 8 & 9) |
| | *N.A. | Pin Station Complete (Pin No. 4) |
| | *N.A. | Pin Station Complete (Pin No. 7) |
| | *N.A. | Pin Station Complete (Pin No. 10) |
| 35. | 11-052037-001 | Flat Washer (6.4 mm) |
| 36. | 11-051743-001 | Locknut (6 mm) |
| 37. | 11-051524-001 | Socket Hd. Cap Screw (5 mm x 40 mm) |
| 38. | 11-051522-001 | Socket Hd. Cap Screw (5 mm x 16 mm) |
| 39. | 11-052042-001 | Flat Washer (10 mm) |
| 40. | 11-052680-001 | Rolled Pin (2 mm x 18 mm) |
| 41. | 11-051742-001 | Locknut (5 mm) |
| 42. | 11-051509-001 | Socket Hd. Cap Screw (6 mm x 12 mm) |
| 43. | *N.A. | Retaining Bow |
| 44. | 47-093591-004 | Release Lever Pin - two piece (Pin Nos. 2,3,7,8,9 & 10) |
| 45. | 47-093592-004 | Release Lever Pin - two piece (Pin Nos. 1,4,5 & 6) |
| 46. | 47-093589-004 | Release Lever Pin - two piece (Pin Nos. 2,3,7,8,9 & 10) |
| 47. | 47-093590-004 | Release Lever Pin - two piece (Pin Nos. 1,4,5 & 6) |
| 48. | 47-091725-004 | Retaining Plate |
| 49. | 11-051741-001 | Locknut (4 mm) |
| 50. | 11-052025-001 | Flat Washer (4.3 mm) |
| 51. | 11-052208-001 | Slted. Machine Hd. Screw (4 mm x 30 mm) |

N.A. = No Longer Available

* Use Universal Pin Station - pages 8J and 9J.

** Use appropriate Universal Pin Station.

Pin Station Assembly (Machine Series 54 and Below)



34

**Pin Station Assembly
(Machine Series 54 and Below)**

Index

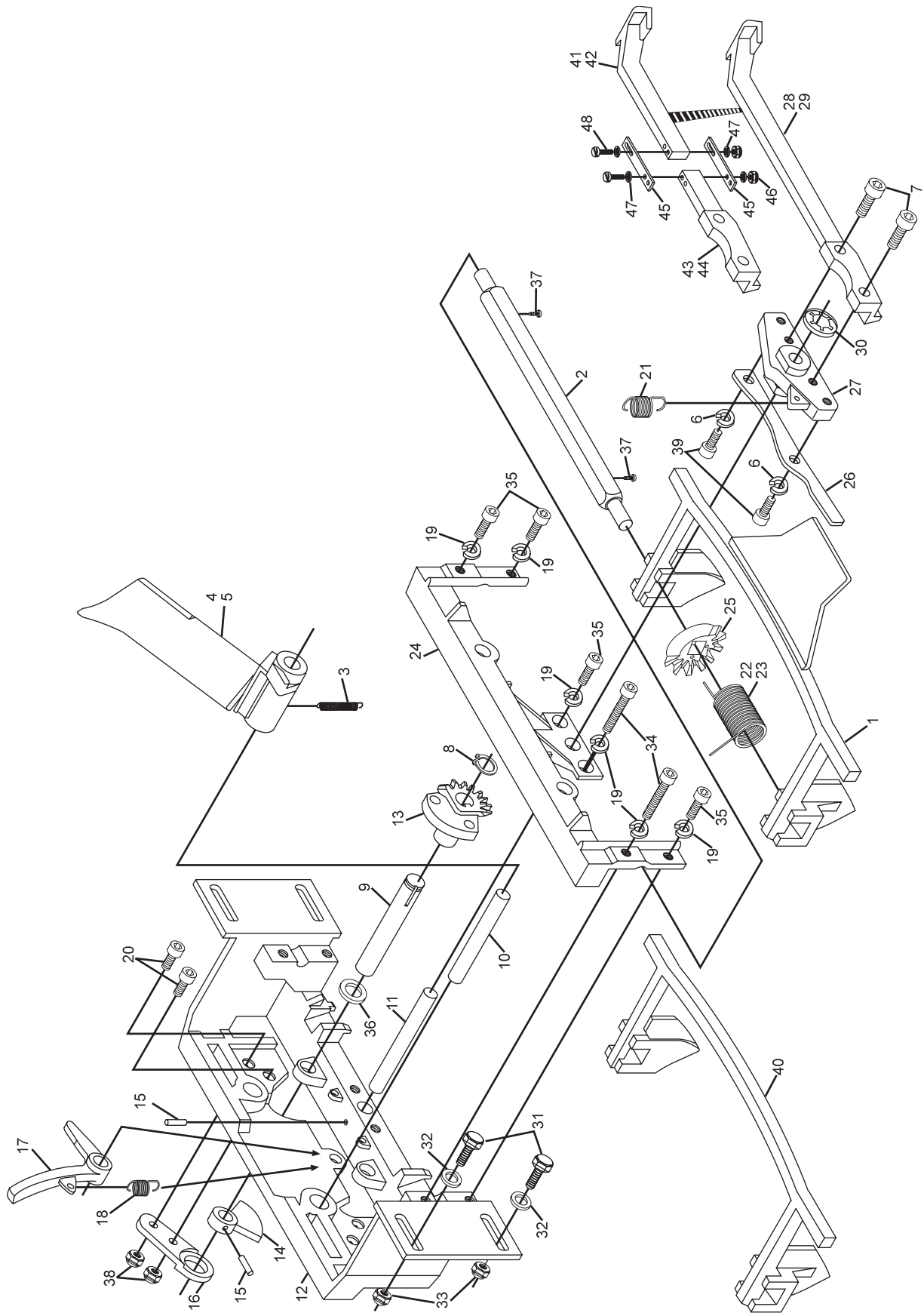
| No. | Part No. | Description |
|------------|-----------------|---|
| 1. | 47-091690-002 | Retaining Bow w/Flap |
| 2. | 47-091694-004 | Square Spindle |
| 3. | 47-094099-004 | Tension Spring |
| 4. | 47-093926-002 | R.H Ejector Flap |
| 5. | 47-093927-002 | L.H. Ejector Flap |
| 6. | 11-051769-001 | Lockwasher (6 mm) |
| 7. | 11-051515-001 | Socket Hd. Cap Screw (6 mm x 18 mm) |
| 8. | 11-051855-001 | Retaining Ring (10 mm) |
| 9. | 47-090570-004 | Shaft |
| 10. | 47-090572-004 | Shaft |
| 11. | 47-090571-004 | Shaft |
| 12. | 47-090565-002 | N.A. Bottom Housing |
| 13. | 47-090560-004 | N.A. Bevel Wheel w/Cam |
| 14. | 47-090557-004 | N.A. Cam |
| 15. | 11-052681-001 | Rolled Pin (3 mm x 16 mm) |
| 16. | 47-090558-004 | Cam Retainer |
| 17. | 47-090556-004 | Retaining Lever |
| 18. | 47-094352-004 | Tension Spring |
| 19. | 11-051768-001 | Lockwasher (5 mm) |
| 20. | 11-051523-001 | Socket Hd. Cap Screw (5 mm x 10 mm) |
| 21. | 47-090580-004 | Tension Spring |
| 22. | 47-090577-004 | R.H. Torsion Spring (Pin Nos. 2,4,6,8 & 10) |
| 23. | 47-090578-004 | L.H. Torsion Spring (Pin Nos. 1,3,5,7 & 9) |
| 24. | 47-090562-003 | Top Housing |
| 25. | 47-090559-004 | Bevel Wheel |
| 26. | 47-091693-004 | Clamping Lever |
| 27. | 47-091692-004 | Pivoting Lever |
| 28. | N.A. | Release Lever Pin (Pin Nos. 1,4,5 & 6) |
| 29. | N.A. | Release Lever Pin (Pin Nos. 2,3,7,8,9 & 10) |
| 30. | 11-053478-001 | Speed Nut (8 mm) |
| 31. | 11-051514-001 | Socket Hd. Cap Screw (6 mm x 16 mm) |
| 32. | 11-052048-001 | Flat Washer (6.4 mm) |
| 33. | 11-051743-001 | Locknut (6 mm) |
| 34. | 11-051524-001 | Socket Hd. Cap Screw (5 mm x 40 mm) |
| 35. | 11-051522-001 | Socket Hd. Cap Screw (5 mm x 16 mm) |
| 36. | 11-052042-001 | Flat Washer (10 mm) |
| 37. | 11-050401-001 | Self-Tapping Screw (4 mm x 8 mm) |
| 38. | 11-051742-001 | Locknut (5 mm) |
| 39. | 11-051509-001 | Socket Hd. Cap Screw (6 mm x 12 mm) |
| 40. | **N.A. | Retaining Bow without Flap |
| 41. | 47-093591-004 | Release Lever Pin - two piece (Pin Nos. 2,3,7,8,9 & 10) |
| 42. | 47-093592-004 | Release Lever Pin - two piece (Pin Nos. 1,4,5 & 6) |
| 43. | **N.A. | Release Lever Pin - two piece (Pin Nos. 2,3,7,8,9 & 10) |
| 44. | 47-093590-004 | Release Lever Pin - two piece (Pin Nos. 1,4,5 & 6) |
| 45. | 47-091725-004 | Retaining Plate |
| 46. | 11-051741-001 | Locknut (4 mm) |
| 47. | 11-052025-001 | Flat Washer (4.3 mm) |
| 48. | 11-052208-001 | Slt'd. Machine Hd. Screw (4 mm x 30 mm) |
| 49. | *N.A. | Pin Station Assembly (Pin number 4) |
| 50. | *N.A. | Pin Station Assembly (Pin Nos. 1, 5 & 6) |
| 51. | *N.A. | Pin Station Assembly (Pin Nos. 2, 3, 8 & 9) |
| 52. | *N.A. | Pin Station Assembly (Pin Number 7) |
| 53. | *N.A. | Pin Station Assembly (Pin Number 10) |

N.A. = No Longer Available

* Use Universal Pin Station - pages 8J and 9J.

** Use appropriate Universal Pin Station.

Pin Station Assembly (Machine Series 55 to 333)



49-53

**Pin Station Assembly
(Machine Series 55 to 333)**

Index

| No. | Part No. | Description |
|------------|-----------------|--|
| 1. | 47-094787-001 | Ejector Actuating Lever |
| 2. | 47-094789-003 | Retaining Pin |
| 3. | 47-094792-009 | Universal Pin Station Assembly Complete (Pin Nos. 2,3,4,8, and 9) |
| 4. | 47-094794-009 | Universal Pin Station Assembly Complete (Pin Nos. 7 and 10) |
| 5. | 47-094793-009 | Universal Pin Station Assembly Complete (Pin Nos. 1,5, and 6) |
| 6. | 11-051743-001 | Locknut (6 mm) |
| 7. | 47-094780-001 | Retaining Bow w/o Flap (Pin Nos. 7 and 10) |
| 8. | 47-094779-001 | Retaining Bow w/ Flap |
| 9. | *47-090578-004 | L.H. Torsion Spring |
| 10. | **47-090577-004 | R.H. Torsion Spring |
| 11. | 47-095154-009 | Release Lever w/Release Button (includes item 22) |
| 12. | *47-094785-002 | L.H. Cam Assembly |
| 13. | **47-094786-002 | R.H. Cam Assembly |
| 14. | 47-094791-004 | Ejector Tension Spring |
| 15. | *47-094783-002 | L.H. Ejector Flap |
| 16. | **47-094784-002 | R.H. Ejector Flap |
| 17. | 11-055301-000 | N.A. Button Head Socket Screw w/Flange (6 mm x 16 mm) |
| | 47-094790-009 | R.O. Square Shaft w/Bearing |
| 18. | 11-052037-001 | Flat Washer (6.4 mm) |
| 19. | 47-094790-003 | Square Spindle |
| 20. | 47-094788-003 | Bevel Gear Shaft |
| 21. | 47-094778-001 | Pin Station Housing |
| 22. | 47-094782-003 | Release Button |
| 23. | 47-862931-000 | Retaining Bow Extender Kit (1 per lane pair) |
| 24. | 47-095742-004 | Bushing |
| 25. | 11-676308-000 | Nygel Plastic Lube |

N.A. = No Longer Available

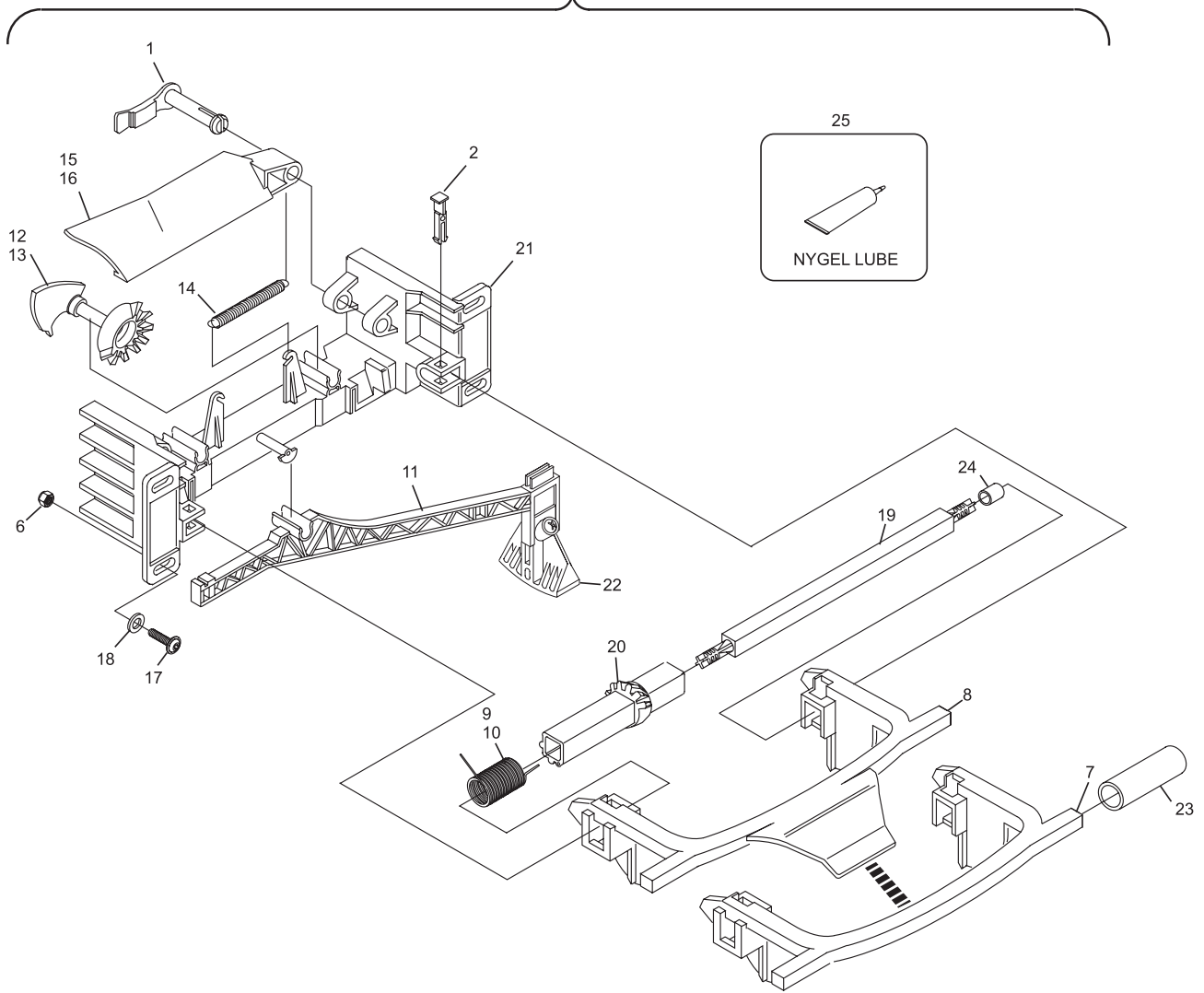
R.O. Replacement Option

* Pin Stations 1,5 and 6

** Pin Stations 2,3 and 4 (reversed release lever), 8 and 9.

Universal Pin Station Assembly

3
4
5



Universal Pin Station Assembly

Index

| No. | Part No. | Description |
|------------|------------------|--|
| 1. | 11-051858-001 | Retaining Ring (A15) |
| 2. | 11-054103-001 | N.A. Spacer Washer (16 mm) |
| | 47-861029-001 | R.O. Washer (16 mm) - Pkg. of 10 |
| 3. | 47-090555-003 | Spur Gear (Positions 1 and 2) |
| 4. | 47-093629-003 | Spur Gear (Position 3) |
| 5. | 47-090553-004 | Intermediate Shaft |
| 6. | 11-051035-001 | Hex Hd. Cap Screw (6 mm x 16 mm) |
| 7. | 11-051769-001 | Lockwasher (6 mm) |
| 8. | 11-430053-000 | Bearing |
| 9. | 46-090494-004 | Bearing Ring |
| 10. | 11-052050-001 | Flat Washer (10.5 mm) |
| 11. | 11-051037-001 | Hex Hd. Cap Screw (10 mm x 16 mm) |
| 12. | 47-093863-003 | Round Belt Pulley |
| | 47-275748-009 | 2-Piece Pulley Kit |
| | N.A. | Pulley (pinned) |
| 13. | N.A. | Middle Shaft (See index number 28) |
| 14. | 47-092203-004 | Pinned Pulley Shaft |
| | 47-093883-004 | Clamped Pulley Shaft |
| 15. | *11-052802-001 | Set Screw (8 mm x 5 mm) |
| 16. | 47-092300-004 | Polycord (12 mm x 44 Meters long) |
| | 47-092300-005 | Polycord Roll (13 mm x 20 meters long) |
| 17. | 11-051038-001 | Hex Hd. Cap Screw (8 mm x 16 mm) |
| 18. | 11-051770-001 | Lockwasher (8 mm) |
| 19. | 11-051704-001 | Hex Nut (8 mm) |
| 20. | *47-093874-004 | Clamp |
| 21. | **N.A. | Spacer Washer |
| 22. | **N.A. | Middle Shaft |
| 23. | **N.A. | Bearing Shell |
| 24. | 11-430013-000 | Bearing |
| 25. | 11-051010-001 | Hex Hd. Cap Screw (8 mm x 20 mm) |
| 26. | 11-052003-001 | Flat Washer (8.4 mm) |
| 27. | 11-051744-001 | Locknut (8 mm) |
| 28. | ***47-094350-001 | Middle Shaft Assembly |

N.A. = No Longer Available

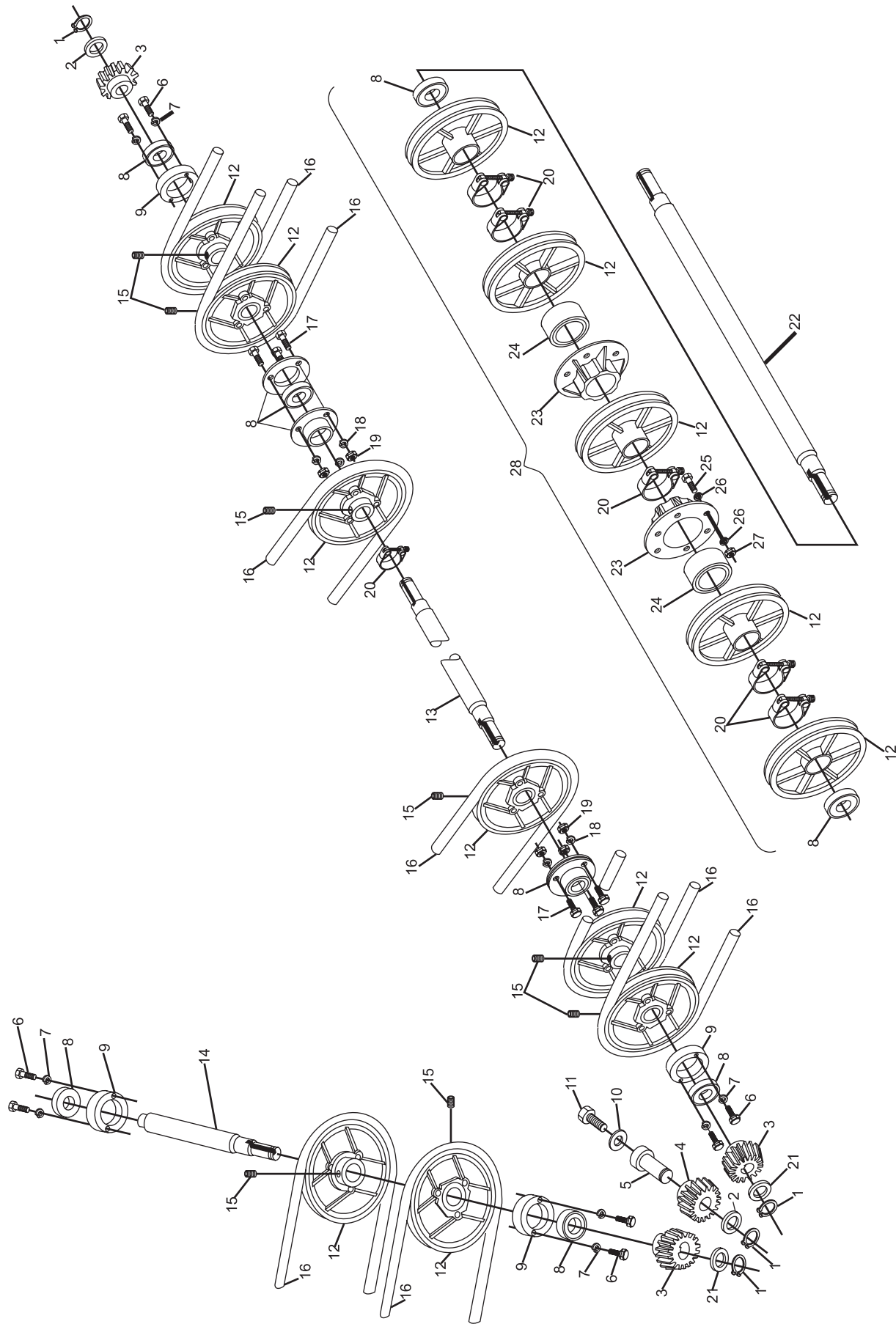
R.O. = Replacement Option

* For pulleys so equipped

** Order index no. 28.

*** Includes index nos. 7, 12, 20, 22, 23, 24, 25, 26 and 27

Dual Feed Distributor Pulley Shaft Assemblies

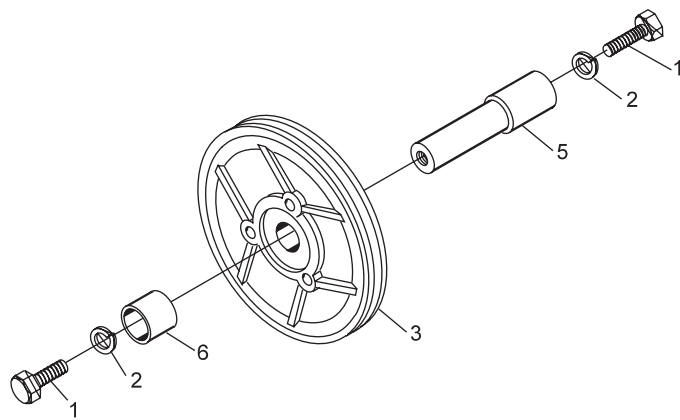
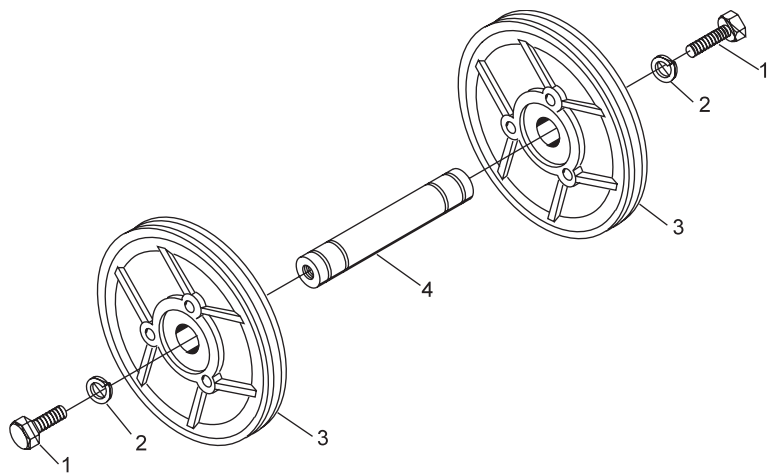


Dual Feed Distributor
Pulley Shaft Assemblies

Index

| No. | Part No. | Description |
|------------|-----------------|----------------------------------|
| 1. | 11-051038-001 | Hex Hd. Cap Screw (8 mm x 16 mm) |
| 2. | 11-051770-001 | Lockwasher (8 mm) |
| 3. | 47-092415-003 | Drive Pulley Assembly |
| 4. | 47-092206-004 | Rear Shaft |
| 5. | 47-090552-004 | Shaft |
| 6. | 47-091855-004 | Spacer |

Distributor Pulleys



Distributor Pulleys

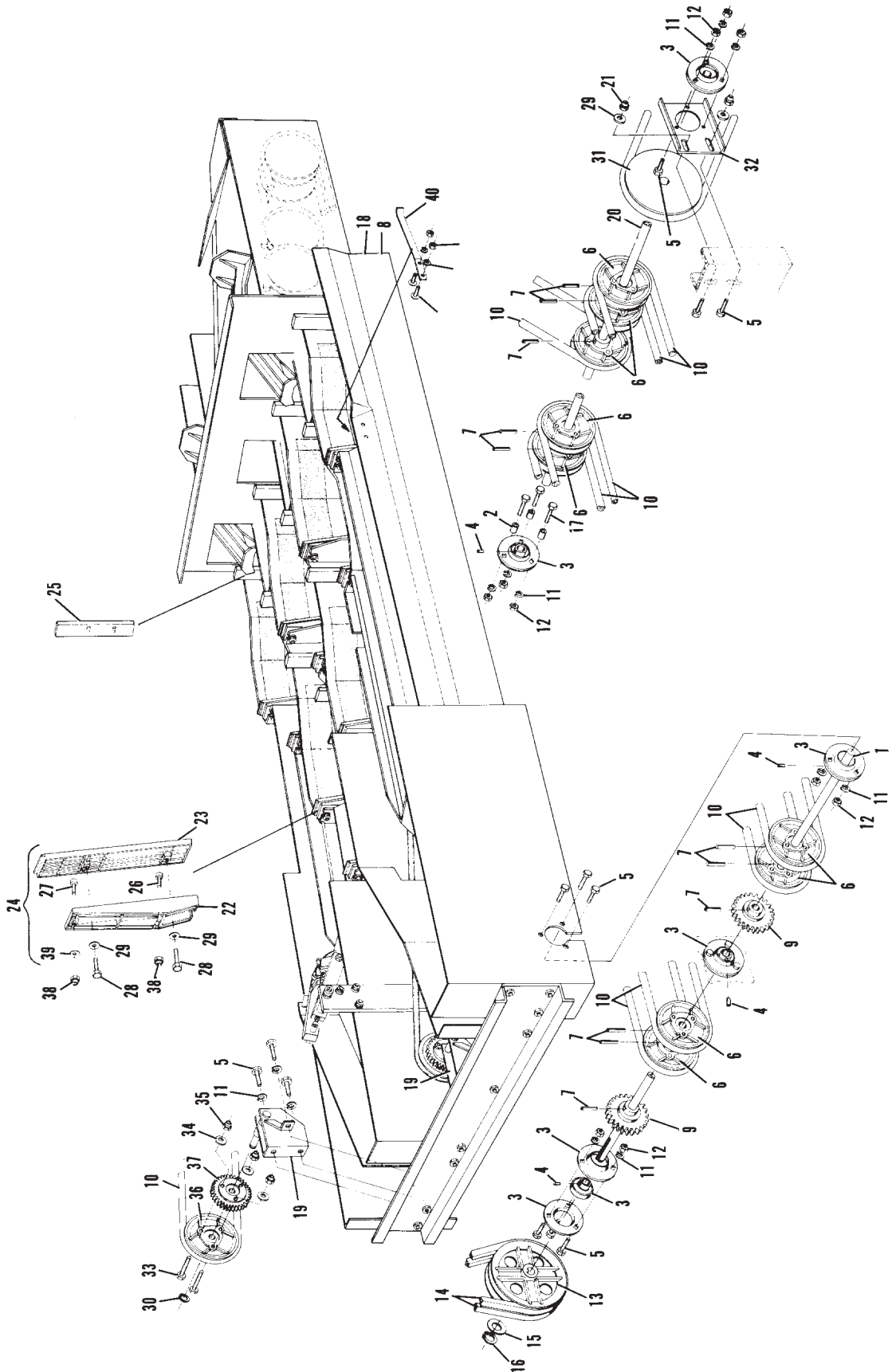
Index

| No. | Part No. | Description |
|------------|-----------------|---|
| 1. | 47-092207-004 | Front Drive Shaft |
| 2. | 47-092082-004 | N.A. Spacer |
| 3. | 11-052901-000 | Bearing Complete w/Retaining Plates |
| 4. | 11-052802-001 | Set Screw (5 mm x 8 mm) |
| 5. | 11-051038-001 | Hex Hd. Cap Screw (8 mm x 16 mm) |
| 6. | 47-094212-004 | Pulley Assembly w/Clam |
| 7. | 11-052686-001 | Rolled Pin (4 mm x 40 mm) |
| 8. | N.A. | Distributor Frame Assembly Complete |
| 9. | 47-090547-004 | Spur Gear w/25 mm Collar |
| 10. | 47-092300-004 | Polycord (12 mm x 44 m long) |
| | 47-092300-005 | Polycord Roll (13 mm x 20 meters long) |
| 11. | 11-051770-001 | Lockwasher (8 mm) |
| 12. | 11-051704-001 | Hex Nut (8 mm) |
| 13. | 47-090989-002 | Double Pulley |
| 14. | 11-053903-000 | V-Belt (8 mm x 13 mm x 1375 mm) |
| 15. | 11-054102-001 | Spacer Flat Washer (25 mm x 36 mm x 1 mm) |
| 16. | 11-051856-001 | Retaining Ring (A25) |
| 17. | 11-051044-001 | Hex Hd. Cap Screw (8 mm x 30 mm) |
| 18. | N.A. | Single Feed Distributor Assembly Complete |
| 19. | 47-092193-003 | Pulley Holder |
| 20. | 47-090974-004 | Rear Drive Shaft |
| 21. | 11-051744-001 | Locknut (8 mm) |
| 22. | N.A. | Slider |
| 23. | N.A. | Slider Mount |
| 24. | 47-091284-002 | Slider Assembly Complete |
| 25. | 47-090969-003 | Pin Stop |
| 26. | 11-051526-001 | Socket Hd. Cap Screw (6 mm x 30 mm) |
| 27. | 11-051520-001 | Socket Hd. Cap Screw (6 mm x 20 mm) |
| 28. | 11-051043-001 | Hex Hd. Cap Screw (8 mm x 12 mm) |
| 29. | 11-052019-001 | Flat Washer (8.4 mm) |
| 30. | 11-051852-001 | Retaining Ring (17 mm) |
| 31. | 47-092137-003 | Aluminum Drive Pulley |
| 32. | 47-090975-003 | N.A. Mounting Plate |
| 33. | 11-051027-001 | Hex Hd. Cap Screw (5 mm x 40 mm) |
| 34. | 11-052005-001 | Flat Washer (5.3 mm) |
| 35. | 11-051742-001 | Locknut (5 mm) |
| 36. | 47-092415-003 | Pulley w/Bearing |
| 37. | 47-093547-004 | Spur Gear w/Bearing |
| 38. | 11-051743-001 | Locknut (6 mm) |
| 39. | 11-052008-001 | Flat Washer (6.4 mm) |
| 40. | 47-091512-003 | N.A. Flat Spring |
| 41. | *47-093874-004 | Clamp |

N.A. = No Longer Available

* Not Illustrated

Single Feed Distributor



Single Feed Distributor

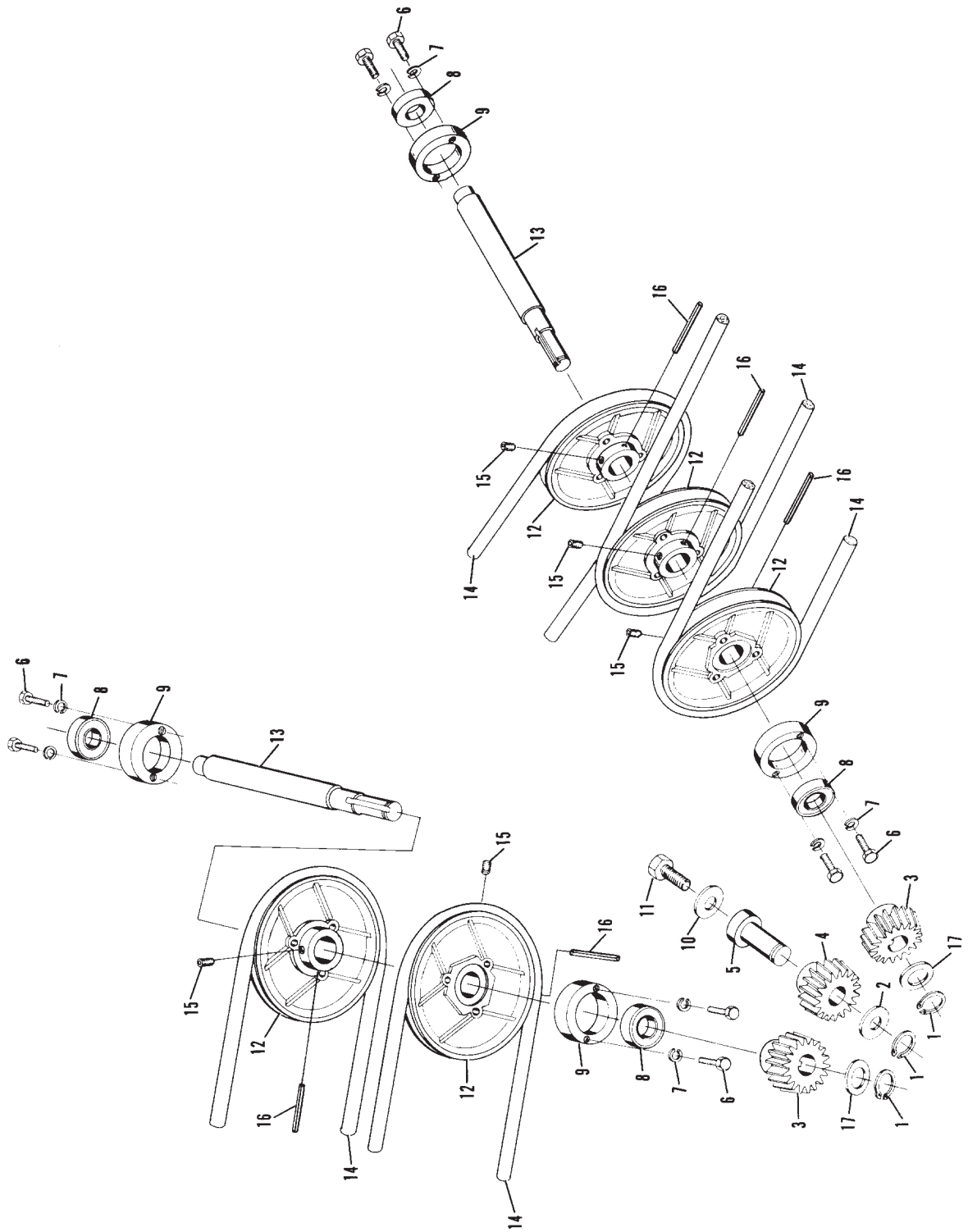
Index

| No. | Part No. | | Description |
|------------|-----------------|------|--|
| 1. | 11-051858-001 | | Retaining Ring (A15) |
| 2. | 11-054103-001 | N.A. | Spacer Washer (16 mm) |
| | 47-861029-001 | R.O. | Spacer Washer (16 mm) Pkg. of 10. |
| 3. | 47-090555-003 | N.A. | Spur Gear (Positions 1 and 2) |
| 4. | 47-093629-003 | | Spur Gear (Position 3) |
| 5. | 47-090553-004 | | Intermediate Shaft |
| 6. | 11-051035-001 | | Hex Hd. Cap Screw (6 mm x 16 mm) |
| 7. | 11-051769-001 | | Lockwasher (6 mm) |
| 8. | 11-430053-000 | | Ball Bearing |
| 9. | 46-090494-004 | | Bearing Ring |
| 10. | 11-052050-001 | | Flat Washer (10.5 mm) |
| 11. | 11-051037-001 | | Hex Hd. Cap Screw (10 mm x 16 mm) |
| 12. | 47-092416-003 | N.A. | Pulley |
| | 47-275748-009 | | 2-Piece Pulley Kit |
| 13. | 47-090536-003 | | Shaft |
| 14. | 47-092300-004 | | Polycord (12 mm) |
| | 47-092300-005 | | Polycord Roll (13 mm x 20 meters long) |
| 15. | 11-052802-001 | | Set Screw (5 mm x 8 mm) |
| 16. | 11-052686-001 | | Rolled Pin (4 mm x 40 mm) |
| 17. | N.A. | | Spacer Washer (15 mm x 28 mm 1.6 mm) |

N.A. = No Longer Available

R.O. = Replacement Option

Single Feed Distributor Pulley Shaft Assemblies



**Single Feed Distributor
Pulley Shaft Assemblies**

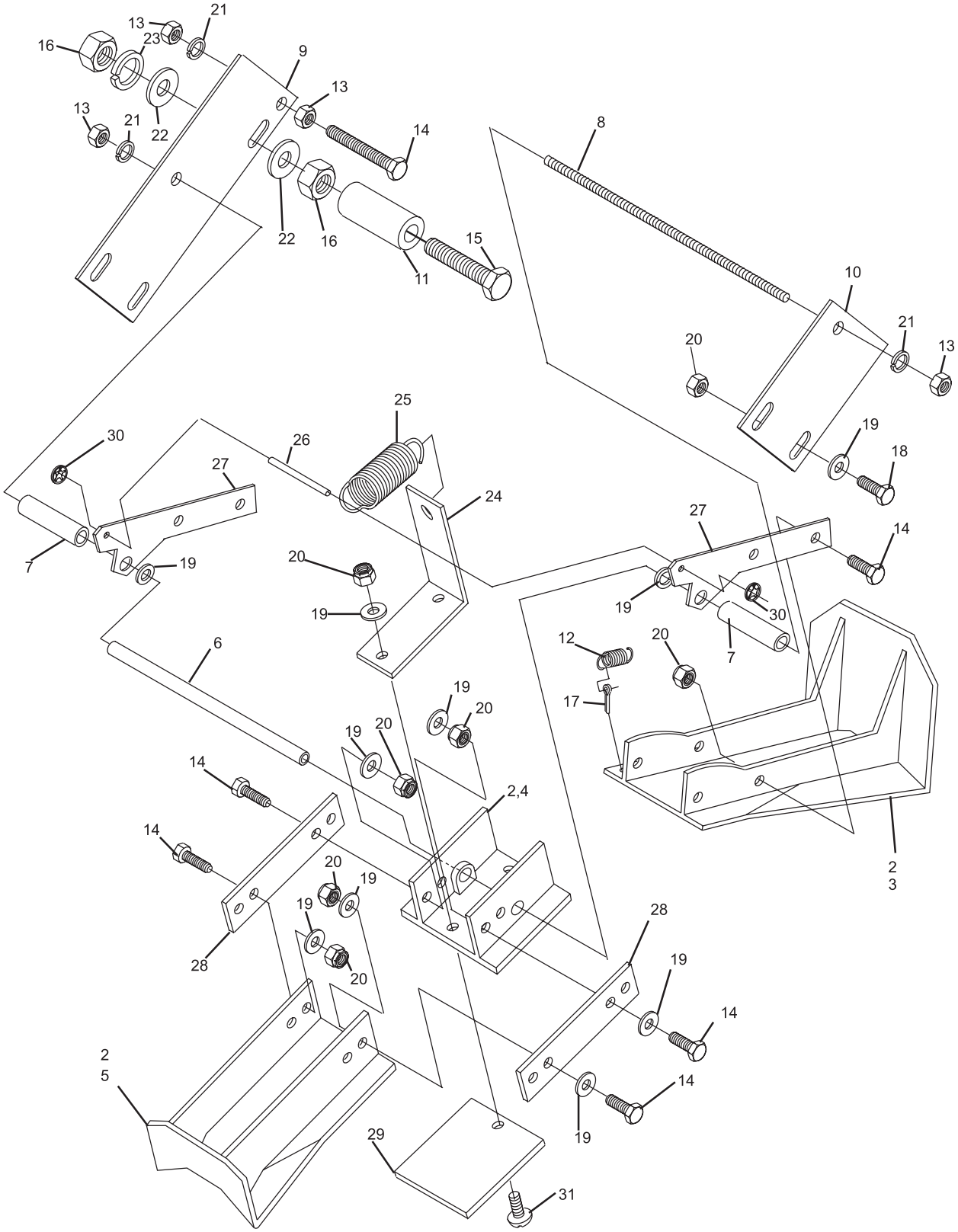
Index

| No. | Part No. | | Description |
|------------|-----------------|------|---|
| 1. | 47-091182-001 | N.A. | Adjustable Pin Separator |
| 2. | 47-091173-001 | N.A. | Pin Separator Assembly (3 piece) |
| 3. | 47-094675-009 | N.A. | Pin Separator (front) |
| 4. | 47-094676-009 | N.A. | Pin Separator (middle) |
| 5. | 47-094677-009 | N.A. | Pin Separator (rear) |
| 6. | 47-091174-004 | N.A. | Sleeve |
| 7. | 47-091175-004 | N.A. | Spacer |
| 8. | 47-091176-004 | N.A. | Shaft |
| 9. | 47-091177-004 | N.A. | Bearing Plate |
| 10. | 47-091178-004 | N.A. | Plate |
| 11. | 47-091179-004 | N.A. | Spacer |
| 12. | 47-091181-004 | | Tension Spring |
| 13. | 11-051702-001 | | Hex Nut (6 mm) |
| 14. | 11-051042-001 | | Hex Hd. Cap Screw (6 mm x 50 mm) |
| 15. | 11-051034-001 | | Hex Hd. Cap Screw (8 mm x 45 mm) |
| 16. | 11-051704-001 | | Hex Nut (8 mm) |
| 17. | 11-051795-001 | | Cotter Pin (1.6 mm x 16 mm) |
| 18. | 11-051035-001 | | Hex Hd. Cap Screw (6 mm x 16 mm) |
| 19. | 11-052008-001 | | Flat Washer (6.4 mm) |
| 20. | 11-051743-001 | | Locknut (6 mm) |
| 21. | 11-051769-001 | | Lockwasher (6 mm) |
| 22. | 11-052003-001 | | Flat Washer (8.4 mm) |
| 23. | 11-051770-001 | | Lockwasher (8 mm) |
| 24. | 47-092139-001 | N.A. | Plate |
| 25. | 47-041792-004 | | Tension Spring |
| 26. | 47-092140-001 | N.A. | Pin |
| 27. | 47-092138-001 | | Plate |
| 28. | 47-092144-001 | N.A. | Plate |
| 29. | 47-092145-001 | N.A. | Plate |
| 30. | 11-053482-001 | | Speed Nut (6 mm) |
| 31. | 11-051880-001 | N.A. | Truss Hd. Sltd. Screw (6 mm x 16 mm) |
| | 47-861008-001 | R.O. | Truss Hd. Sltd. Screw (6 mm x 16 mm) Pkg. of 10 |

N.A. = No Longer Available

R.O. = Replacement Option

**Pin Separator Assembly
(Single Feed Distributor)**



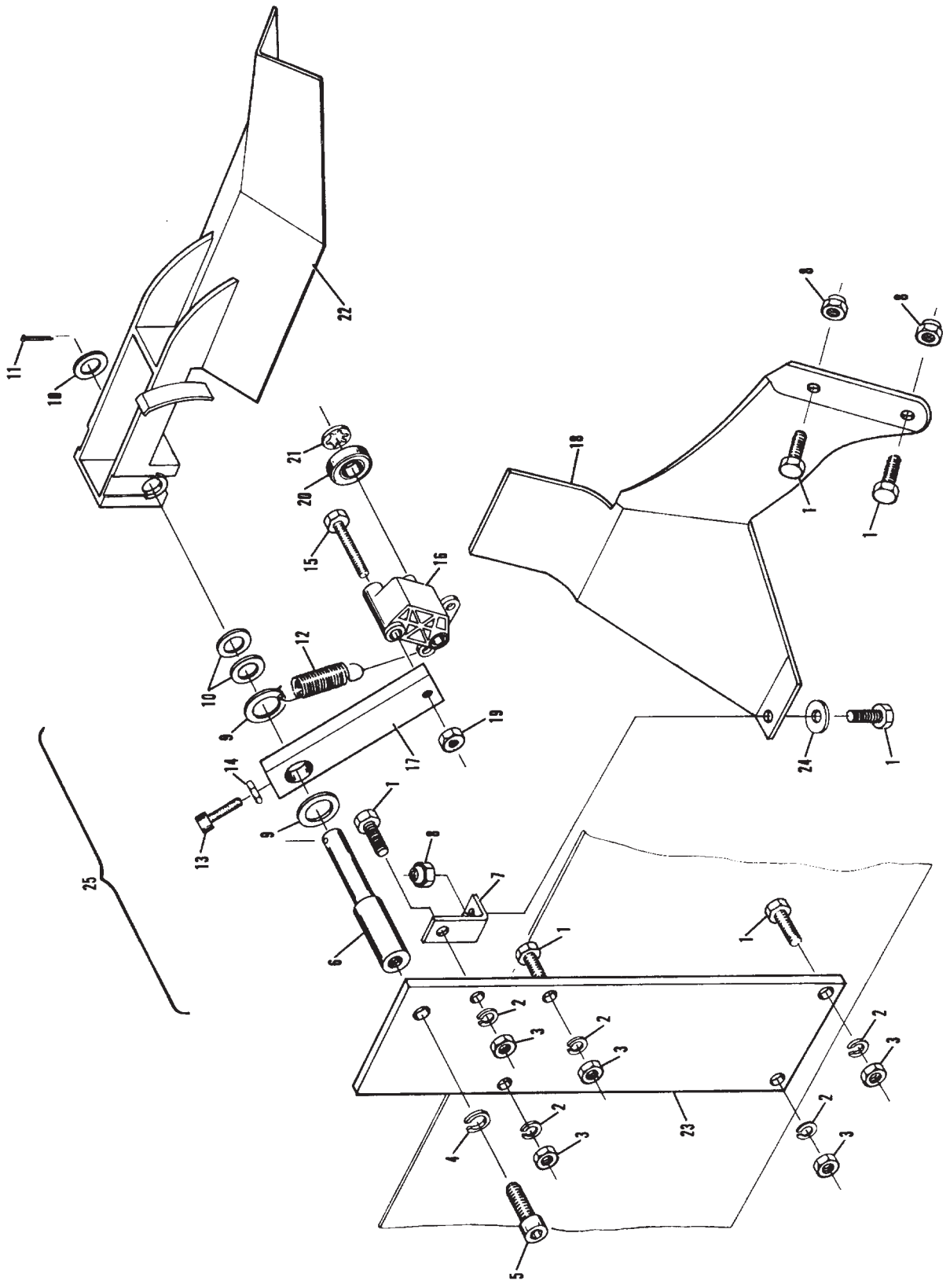
**Pin Separator Assembly
(Single Feed Distributor)**

Index

| No. | Part No. | | Description |
|------------|-----------------|------|---|
| 1. | 11-051035-001 | | Hex Hd. Cap Screw (6 mm x 16 mm) |
| 2. | 11-051769-001 | | Lockwasher (6 mm) |
| 3. | 11-051702-001 | | Hex Nut (6 mm) |
| 4. | 11-051772-001 | | Lockwasher (12 mm) |
| 5. | 11-051540-001 | | Socket Hd. Cap Screw (12 mm x 20 mm) |
| 6. | 47-090773-004 | N.A. | Shaft |
| 7. | 47-092085-004 | N.A. | Angle Bracket |
| 8. | 11-051743-001 | | Locknut (6 mm) |
| 9. | 11-052038-001 | | Flat Washer (21 mm) |
| 10. | 11-052036-001 | | Flat Washer (15 mm) |
| 11. | 11-051786-001 | | Cotter Pin (2.5 mm x 25 mm) |
| 12. | 47-092046-004 | | Tension Spring |
| 13. | 11-051515-001 | | Socket Hd. Cap Screw (6 mm x 18 mm) |
| 14. | 11-053155-001 | | Hex Hd. Jam Nut (6 mm) |
| 15. | 11-051032-001 | | Hex Hd. Cap Screw (8 mm x 55 mm) |
| 16. | 47-092045-004 | | Bearing Holder |
| 17. | 47-092044-004 | N.A. | Shaft Plate |
| 18. | 47-090856-001 | N.A. | Flap |
| 19. | 11-051704-001 | | Hex Nut (8 mm) |
| 20. | 11-430049-000 | | Bearing |
| 21. | 11-053480-001 | | Speed Nut (10 mm) |
| 22. | 47-090791-001 | | Head Centering Flap |
| 23. | 47-091501-003 | N.A. | Mounting Plate |
| 24. | 11-052048-001 | | Flat Washer (6.4 mm) |
| 25. | 47-092072-002 | N.A. | Pin Head Centering Device Assembly Complete |

N.A. = No Longer Available

**Pin Head Centering Device Assembly
(Single Feed Distributor)**



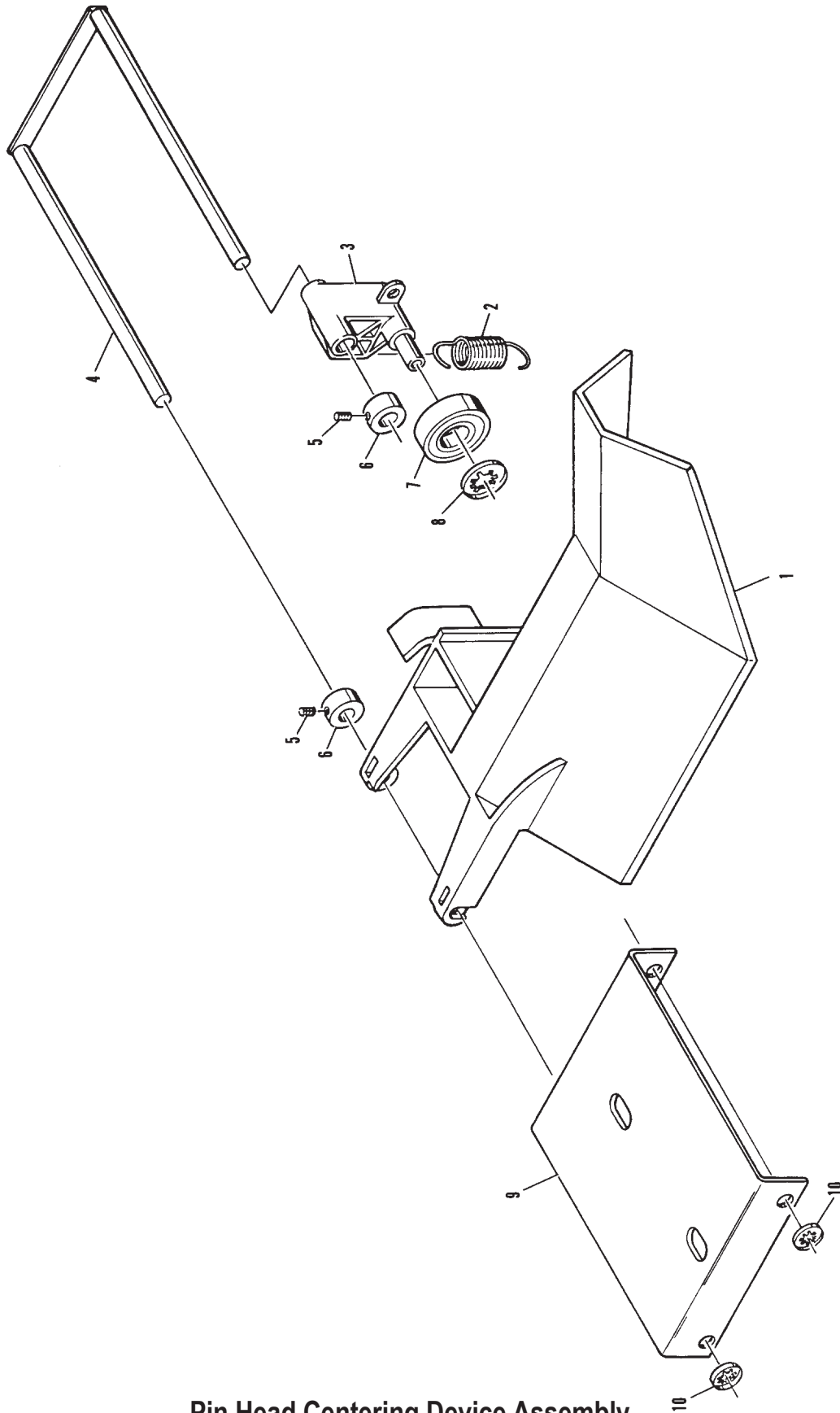
**Pin Head Centering Device Assembly
(Single Feed Distributor)**

Index

| No. | Part No. | | Description |
|------------|-----------------|------|-----------------------------------|
| 1. | 47-092043-001 | N.A. | Head Centering Flap |
| 2. | 47-051491-004 | | Tension Spring |
| 3. | 47-092045-004 | | Bearing Holder |
| 4. | 47-092053-004 | N.A. | Double Shaft Assembly |
| 5. | 11-052802-001 | | Set Screw (5 mm x 8 mm) |
| 6. | 11-053622-001 | | Stop Collar (8 mm x 16 mm x 8 mm) |
| 7. | 11-430049-000 | | Bearing |
| 8. | 11-053478-001 | | Speed Nut (8 mm) |
| 9. | 47-092052-003 | N.A. | Mounting Plate |
| 10. | 11-053480-001 | | Speed Nut (10 mm) |

N.A. = No Longer Available

Pin Head Centering Device Assembly

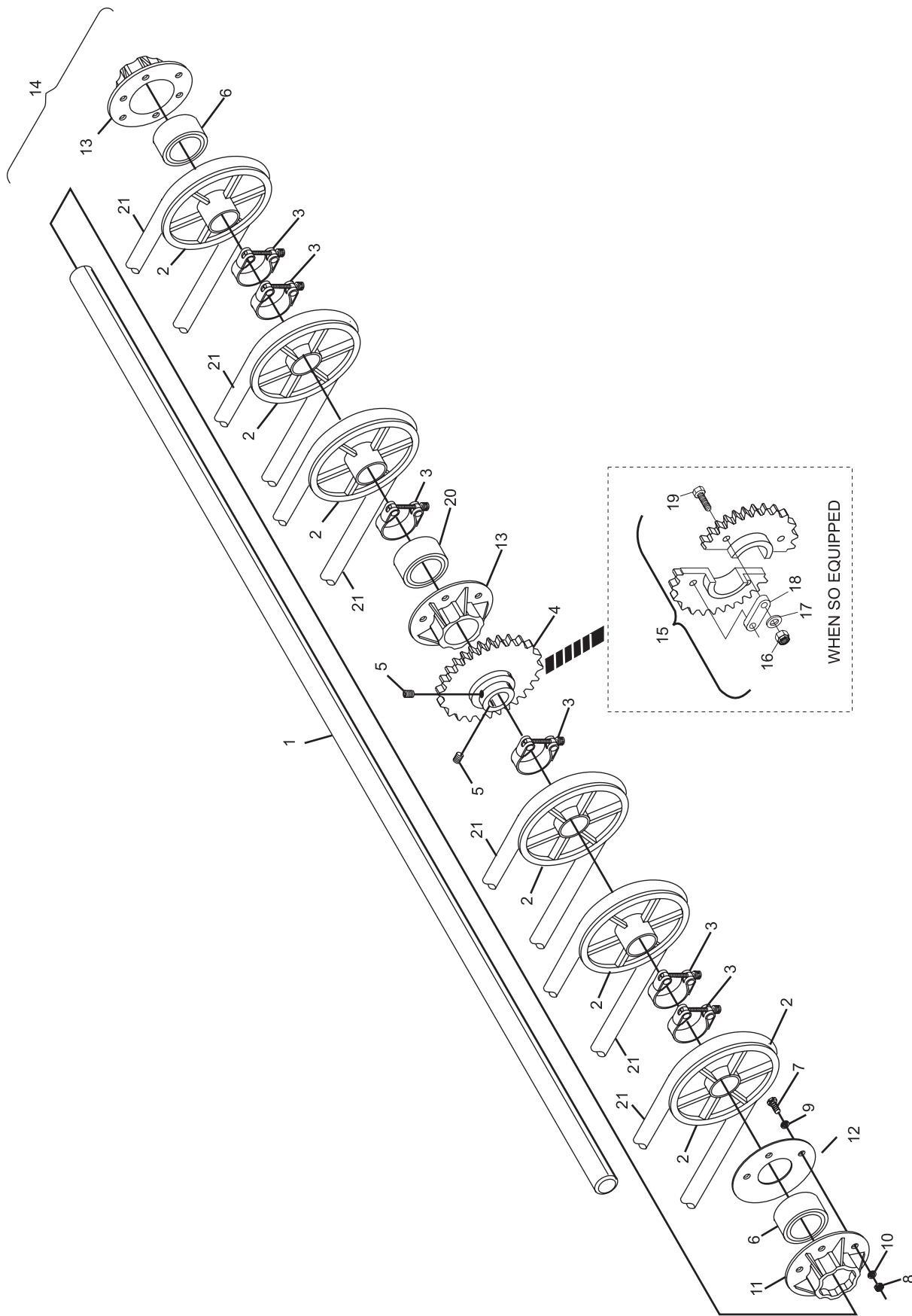


Pin Head Centering Device Assembly

Index

| No. | Part No. | Description |
|------------|-----------------|--|
| 1. | N.A. | Rear Pulley Shaft |
| 2. | 47-093863-003 | Round Belt Pulley (132 mm) - use 12 mm Polycord Belt |
| | 47-275748-009 | 2-Piece Pulley Kit |
| | 47-024839-002 | Round Belt Pulley (162 mm) - use 15 mm Polycord Belt |
| 3. | 47-093874-004 | Pulley Clamp |
| 4. | 47-093900-003 | Spur Gear (one piece) |
| 5. | 11-052801-001 | Set Screw (6 mm x 6 mm) |
| 6. | 11-430013-000 | Bearing |
| 7. | 11-051038-001 | Hex Hd. Screw (8 mm x 20 mm) |
| 8. | 11-051704-001 | Hex Nut (8 mm) |
| 9. | 11-052003-001 | Flat Washer (8.4 mm) |
| 10. | 11-051744-001 | Lock Washer (8 mm) |
| 11. | 47-094346-003 | Bearing Shell w/ Shoulder |
| 12. | 47-094351-003 | Washer |
| 13. | 47-094347-003 | Bearing Shell |
| 14. | 47-094348-001 | Rear Distributor Shaft Assembly |
| 15. | 47-274669-004 | Spur Gear (two piece) |
| 16. | 11-051743-001 | Hex Nut (6 mm) |
| 17. | 11-052008-001 | Washer (6.4 mm) |
| 18. | 46-030121-004 | Link |
| 19. | 11-051028-001 | Hex Hd. Cap Screw (6 mm x 25 mm) |
| 20. | 47-095050-003 | Plastic Bearing |
| 21. | 47-092300-004 | Poly Cord (12 mm x 44 Meters long) |

Distributor Rear Pulley Shaft



Distributor Rear Pulley Shaft

Index

| No. | Part No. | Description |
|------------|-----------------|--|
| 1. | 47-093929-001 | L.H.Pin Guide Wedge |
| 2. | 11-051852-001 | Retaining Ring (17 mm) |
| 3. | 47-092415-003 | Drive Belt Pulley |
| 4. | 11-052808-001 | Socket Set Screw (8 mm x 40 mm) |
| 5. | 47-094072-003 | R.H. Side Plate |
| 6. | 11-052019-001 | Flat Washer (8.4 mm) |
| 7. | 47-013924-003 | N.A. Elevator Bracket w/o Rubber Mount (336 mm long) |
| | 47-014354-003 | Elevator Bracket w/o Rubber Mount (321 mm long) |
| 8. | 11-051770-001 | Lockwasher (8 mm) |
| 9. | 11-052008-001 | Flat Washer (6.4 mm) |
| 10. | 47-093906-001 | R.H. Pin Guide Wedge |
| 11. | 47-093925-004 | Spacer |
| 12. | 11-051053-001 | Hex Hd. Machine Screw (8 mm x 40 mm) |
| 13. | 11-051001-001 | Hex Hd. Machine Screw (6 mm x 12 mm) |
| 14. | 11-051769-001 | Lockwasher (6 mm) |
| 15. | 47-093898-003 | Guide |
| 16. | 11-052686-001 | Roll Pin (4 mm x 40 mm) |
| 17. | 47-093899-003 | Gear |
| 18. | 47-094326-004 | Flange |
| 19. | 11-052605-001 | N.A. Carriage Bolt (6 mm x 16 mm) |
| | 47-861020-001 | R.O. Carriage Bolt (6 mm x 16 mm) Pkg. of 5 |
| 20. | 47-094095-002 | Fin Switch Complete |
| 21. | 11-430007-000 | Bearing |
| 22. | 47-093962-004 | Tension Spring |
| 23. | 11-053478-001 | Speed Nut (8 mm) |
| 24. | 47-093908-002 | Pin Guide Housing |
| 25. | 47-093905-004 | Shaft |
| 26. | 47-093894-003 | Pin Guide Wires Complete |
| 27. | 47-092206-004 | Shaft |
| 28. | 47-094035-003 | L.H. Side Plate |
| 29. | 11-052803-001 | Set Screw (6 mm x 10 mm) |
| 30. | 47-093985-002 | Extensions (short pit) |
| | 47-092249-002 | Extensions (long pit) |
| 31. | 47-093891-003 | Mounting Plate |
| 32. | 11-052003-001 | Flat Washer (8.4 mm) |
| 33. | 11-051038-001 | Hex Hd. Machine Screw (8 mm x 16 mm) |
| 34. | 47-094212-004 | Pulley Assembly w/Clam |
| 35. | 47-093874-004 | Pulley Clamp |
| 36. | 47-093928-004 | Drive Shaft |
| 37. | 11-051744-001 | Locknut (8 mm) |
| 38. | 11-051702-001 | Hex Nut (6 mm) |
| 39. | *47-093934-003 | Pin Deflector Shoe - Single Piece |
| 40. | 11-051072-001 | Hex Hd. Machine Screw (6 mm x 14 mm) |
| 41. | 47-093920-000 | Shark Switch Assembly Complete |
| 42. | 47-093911-003 | L.H. Shark Rail |
| 43. | 47-093910-003 | R.H. Shark Rail |
| 44. | 11-052037-001 | Flat Washer (6.4 mm) |
| 45. | 47-274659-009 | N.A. Shark Switch Shaft Assembly |
| 46. | 11-051743-001 | Nylok Nut (6 mm) |
| 47. | 11-052850-000 | Set Screw (6 mm x 20 mm) |
| 48. | 11-053579-000 | Rubber Mount |
| 49. | 47-094232-004 | Rubber Grommet |
| 50. | 47-092300-004 | Poly Cord (12 mm x 44 Meters long) |

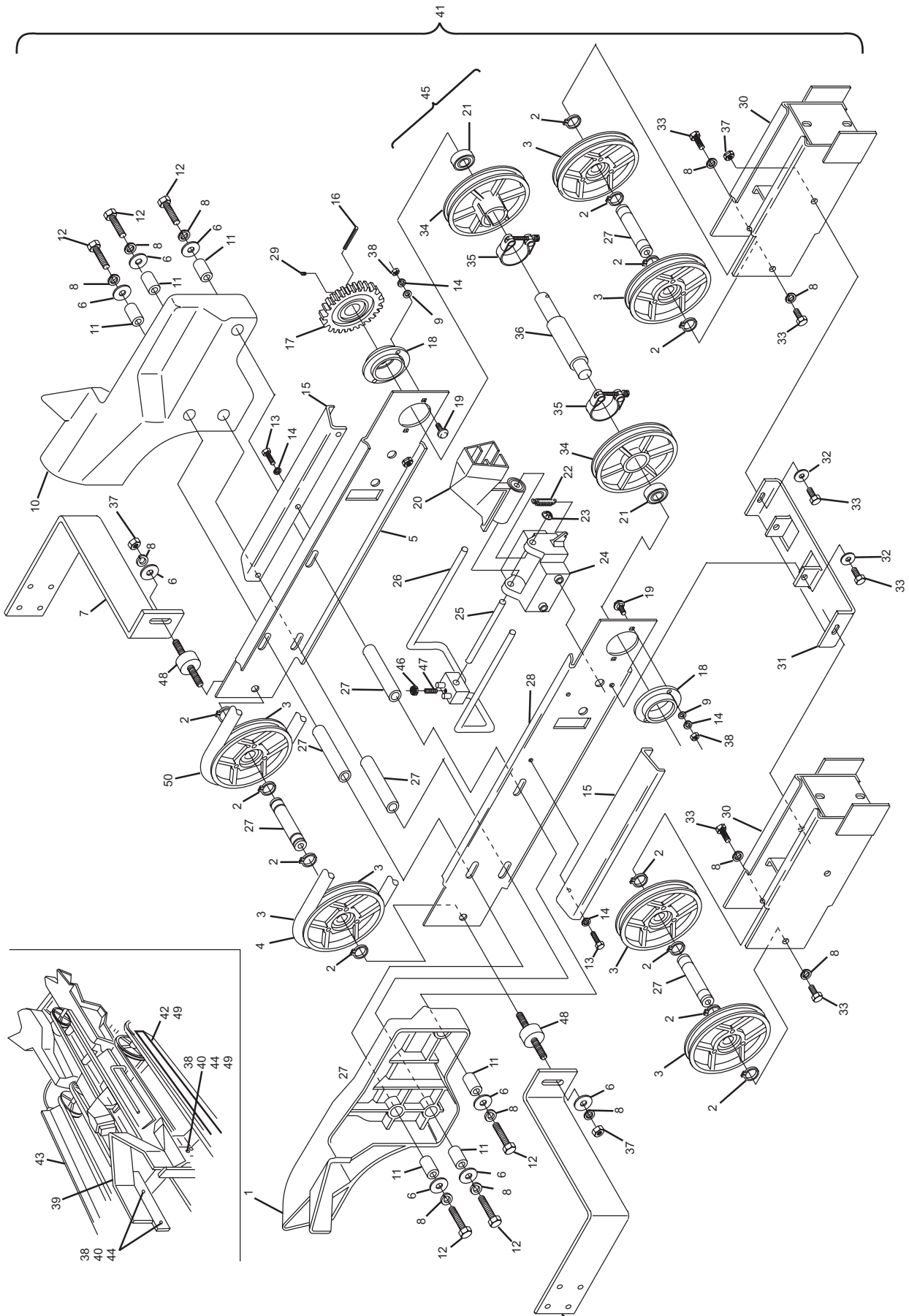
N.A. = No Longer Available

R.O. = Replacement Option

* For Two-Piece Shoe, order 1 each 47-095172-003 Right-Hand Shoe and 1 each 47-095173-003 Left-Hand Shoe.

Shark Switch Assembly

Short Pit Machines Series 43 and Above (Excludes Smart Shark)



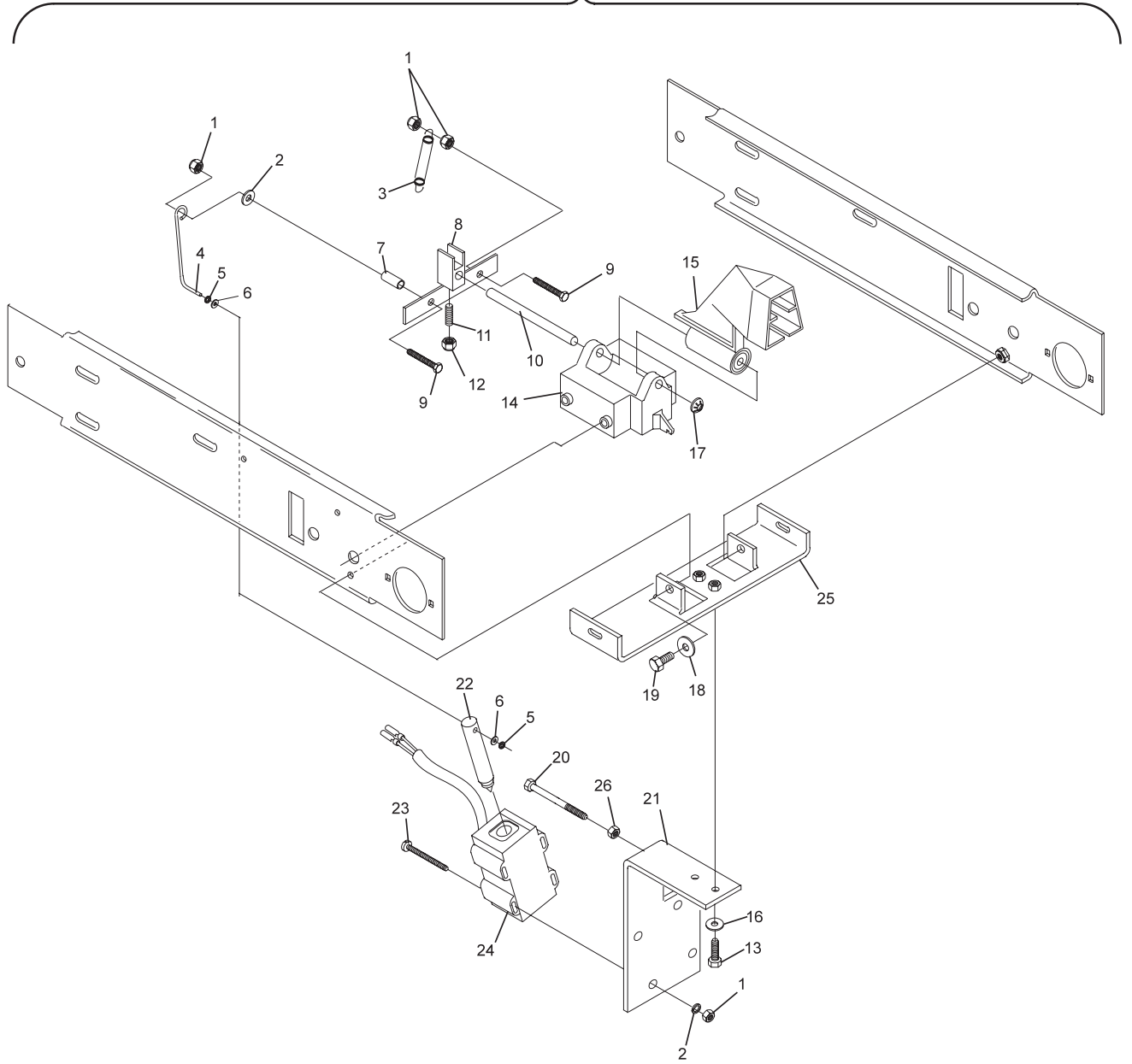
Shark Switch Assembly
Short Pit Machines Series 43 and Above (Excludes Smart Shark)

Index

| No. | Part No. | Description |
|------------|-----------------|--|
| 1. | 11-051742-001 | Nut (5 mm) |
| 2. | 11-052039-001 | Flat Washer (5.3 mm) |
| 3. | 47-094713-004 | Return Spring |
| 4. | 47-094264-004 | Solenoid Link |
| 5. | 11-053476-001 | Speed Nut (4 mm) |
| 6. | 11-052021-001 | Flat Washer (4.3 mm) |
| 7. | 47-094265-004 | Spacer |
| 8. | 47-094270-004 | See Saw (Teeter) |
| 9. | 11-051004-001 | N.A. Hex Head Screw (5 mm x 25 mm) |
| | 47-861001-001 | R.O. Hex Head Screw (5 mm x 25 mm) Pkg. of 10 |
| 10. | 47-093905-004 | Shaft |
| 11. | 11-052850-000 | Socket Set Screw (6 mm x 20 mm) |
| 12. | 11-051743-001 | Locknut (6 mm) |
| 13. | 11-051035-001 | Hex Head Machine Screw (6 mm x 16 mm) |
| 14. | 47-093908-002 | Pin Guide Housing |
| 15. | 47-094095-002 | Fin Switch Complete |
| 16. | 11-051769-001 | Washer (6 mm) |
| 17. | 11-053478-001 | Speed Nut (8 mm) |
| 18. | 11-052003-001 | Flat Washer (8.4 mm) |
| 19. | 11-051038-001 | Hex Hd. Machine Screw (8 mm x 16 mm) |
| 20. | 11-051089-001 | N.A. Hex Head Cap Screw (5 mm x 45 mm) |
| 21. | 47-094704-003 | Solenoid Bracket |
| 22. | 99-060133-004 | Solenoid Plunger |
| 23. | 11-051558-001 | N.A. Hex Head Machine Screw (5 mm x 55 mm) |
| 24. | 99-060242-004 | Solenoid (silver and consolidated electronics box) |
| 25. | 47-093891-003 | Mounting Plate (includes Weldnut) |
| 26. | 11-051701-001 | Hex Nut (5 mm) |
| 27. | 47-094722-001 | Smart Shark Assembly Complete |

N.A. = No Longer Available

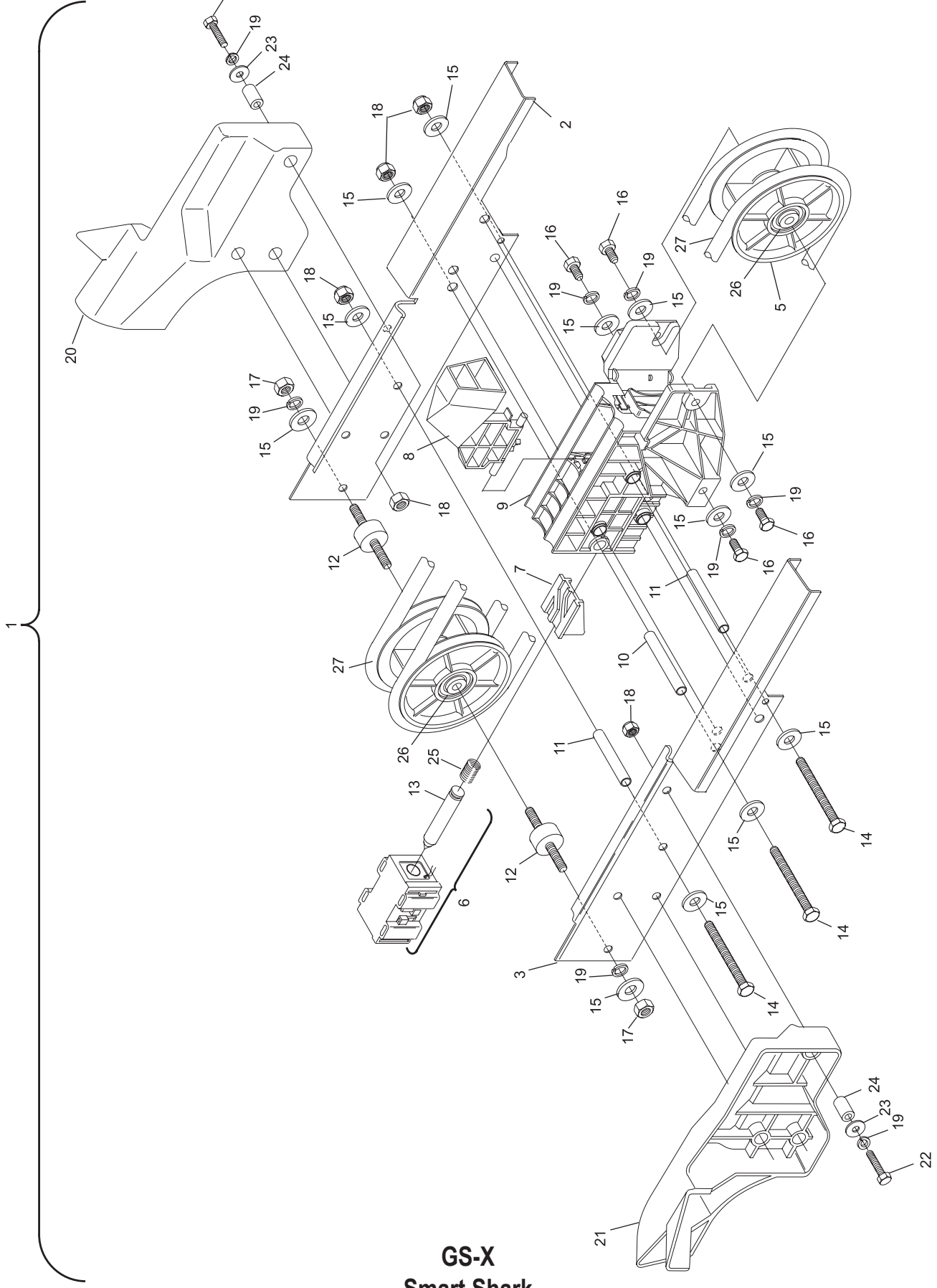
R.O. = Replacement Option



**Smart Shark
(GS - 96)**

Index

| No. | Part No. | Description |
|------------|-----------------|---|
| 1. | 47-095108-001 | Shark Switch Assembly |
| 2. | 47-095104-001 | R.H. Guide |
| 3. | 47-095103-001 | L.H. Guide |
| 4. | 47-095745001 | Round Belt Pulley |
| 5. | 47-095101-001 | N.A. Round Belt Geared Pulley w/Bearings - complete |
| | 47-095744-004 | R.O. Round Belt Geared Pulley |
| 6. | 99-060387-004 | Solenoid - only (consolidated and nexgen electronics box) |
| 7. | 47-095105-003 | Slide |
| 8. | 47-095106-001 | Fin Switch |
| 9. | 47-095107-003 | Housing |
| 10. | 47-095112-004 | Spacer - short |
| 11. | 47-095109-004 | Spacer - long |
| 12. | 11-053579-000 | Rubber Mount |
| 13. | 47-095111-004 | Solenoid Plunger |
| 14. | 11-051081-001 | Hex Hd. Cap Screw (8 mm x 100 mm) |
| 15. | 11-052006-001 | Washer (8.4 mm) |
| 16. | 11-051010-001 | Hex Hd. Cap Screw (8 mm x 20 mm) |
| 17. | 11-051704-001 | Hex Nut (8 mm) |
| 18. | 11-051744-001 | Lock Nut (8 mm) |
| 19. | 11-051770-001 | Lock Washer (8 mm) |
| 20. | 47-093906-001 | R.H. Pin Guide Wedge |
| 21. | 47-093929-001 | L.H. Pin Guide Wedge |
| 22. | 11-051026-001 | Hex Hd. Cap Screw (8 mm x 40 mm) |
| 23. | 11-052019-001 | Flat Washer (8.4 mm) |
| 24. | 47-093925-004 | Spacer |
| 25. | 99-090348-004 | Spring |
| 26. | 11-430007-000 | Bearing |
| 27. | 47-092300-004 | Polycord (12 mm x 44 Meters Long) |



**GS-X
Smart Shark**

Intentionally Blank Page