

Section H

MAIN FRAME

Index

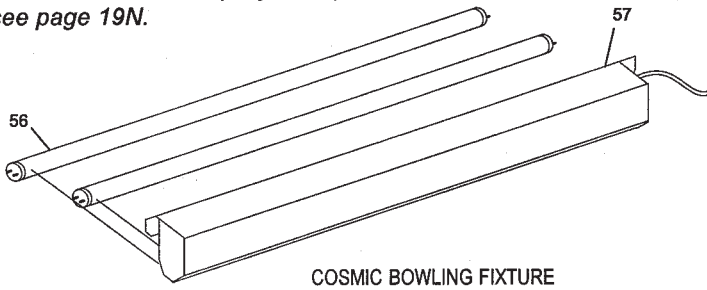
No.	Part No.	Description
1.	11-051005-001	Hex Hd. Cap Screw (10 mm x 20 mm)
2.	11-051055-001	Hex Head Screw (8 mm x 60 mm)
3.	47-080207-003	Angle Bracket
4.	47-080206-004	Common Mounting Plate
5.	11-052453-001	N.A. Flat Hd. Wood Screw (8 mm x 60 mm)
	11-052552-001	R.O. Phillips Screw (M8 x 60 mm)
6.	47-082375-002	L.H. Side Frame
7.	11-051771-001	Lockwasher (10 mm)
8.	47-081164-004	N.A. L.H. Support Brace
9.	11-051035-001	Hex Hd. Cap Screw (6 mm x 16 mm)
10.	11-051769-001	Lockwasher (6 mm)
11.	11-051702-001	Hex Nut (6 mm)
12.	47-082379-004	N.A. Rear Brace Supports
13.	47-082377-001	N.A. Upper Rear Cross Brace
14.	11-051038-001	Hex Hd. Cap Screw (8 mm x 16 mm)
15.	11-051770-001	Lockwasher (8 mm)
16.	11-051704-001	Hex Nut (8 mm)
17.	47-081251-004	N.A. U-Bracket
18.	47-081256-004	N.A. R.H. Support
19.	47-082376-002	R.H. Side Frame
20.	47-080201-001	N.A. Front Frame Support (all GS-Series)
21.	47-081961-003	N.A. Support Strap
	47-083659-004	R.O. New Style Support Straps (index No. 42)
22.	47-082128-003	Catwalk
23.	11-052603-001	Carriage Bolt (8 mm x 45 mm)
24.	47-081857-002	N.A. Electrical Box Mounting Plate
25.	47-084955-002	Cable Channel
26.	47-083506-003	L.H. Catwalk Support
27.	11-051745-001	Locknut (10 mm)
28.	11-051010-001	Hex Hd. Cap Screw (8 mm x 20 mm)
29.	11-051744-001	Locknut (8 mm)
30.	11-053575-000	Rubber Mount
31.	11-053576-000	Rubber Mount
32.	47-081960-003	R.H. Catwalk Support
33.	11-051509-001	Socket Hd. Cap Screw (6 mm x 12 mm)
34.	11-052048-001	Flat Washer (6.4 mm)
35.	11-051539-001	Socket Hd. Cap Screw (4 mm x 6 mm)
36.	99-050229-004	Switch Assembly Complete
37.	11-052019-001	Flat Washer (8.4 mm)
38.	47-082378-003	N.A. Lower Rear Cross Brace
39.	47-082135-002	N.A. Pin Lamp Assembly Guard
	47-223075-004	R.O. Pin Light & Bulb Assembly
40.	47-091316-003	N.A. Pin Deflector (for Single Feed Distributors only)
41.	47-081664-004	New Style Support Brace
42.	47-083659-004	New Style Support Strap
43.	47-083667-003	Electrical Box Mounting Plate (silver box)
44.	47-223075-004	Pin Lamp Assembly Complete (silver box)
45.	47-203146-000	Lamp
46.	47-203147-000	Starter
47.	N.A.	Plug
48.	*N.A.	Quick-Lock Fastener Receptacle (w/Retaining Nuts)
49.	*11-601800-000	N.A. Quick-Lock Fastener Stud
50.	11-052050-001	Flat Washer (10.5 mm)
51.	47-083662-004	N.A. Angle Bracket
52.	11-051001-001	Hex Hd. Cap Screw (6 mm x 12 mm)
53.	11-051743-001	Locknut (6 mm)
54.	11-052008-001	Flat Washer (6.4 mm x 12.5 mm x 1.6 mm)
55.	84-200073-000	Barrel Nut
56.	12-862933-000	Black Light Bulb - Pkg. of 6
57.	12-862922-000	Dual Lamp Assembly w/Bulbs

N.A. = No Longer Available

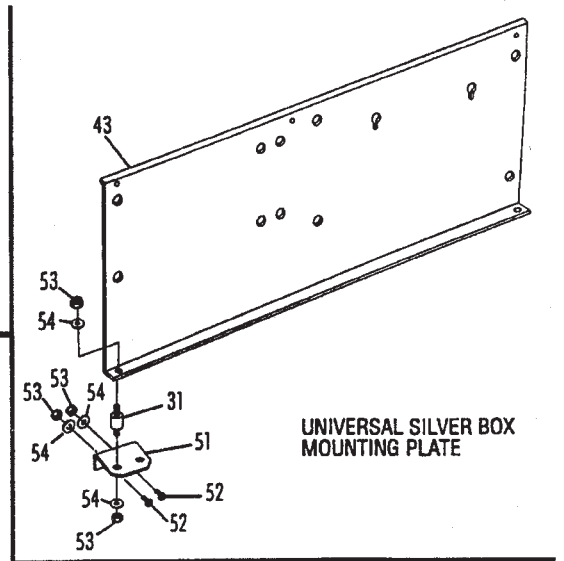
R.O. = Replacement Option

* Not Illustrated

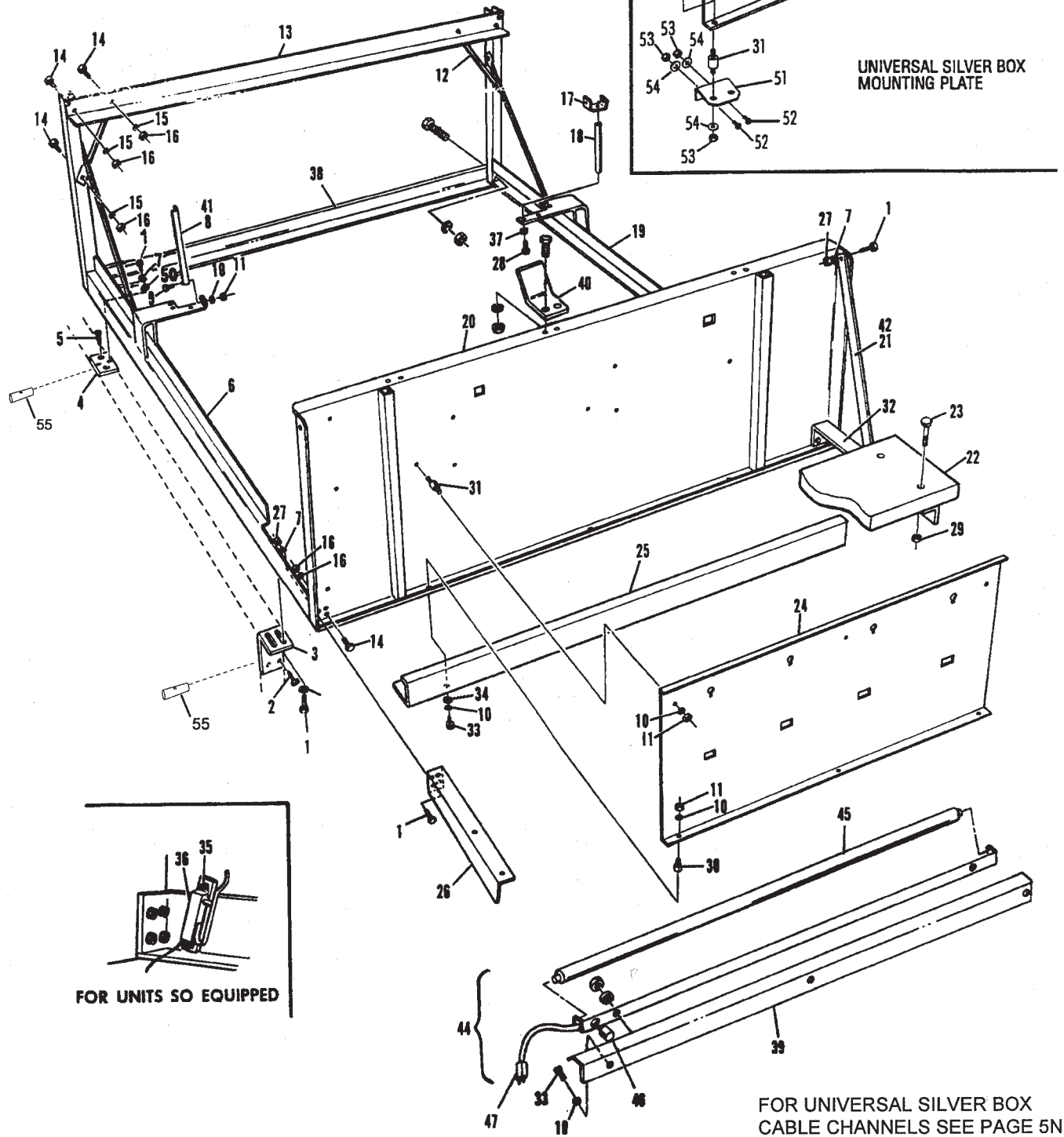
NOTE: For Dual Lamp System (Machine Series 424 and Above), see page 19N.



COSMIC BOWLING FIXTURE



UNIVERSAL SILVER BOX MOUNTING PLATE



FOR UNITS SO EQUIPPED

FOR UNIVERSAL SILVER BOX CABLE CHANNELS SEE PAGE 5N

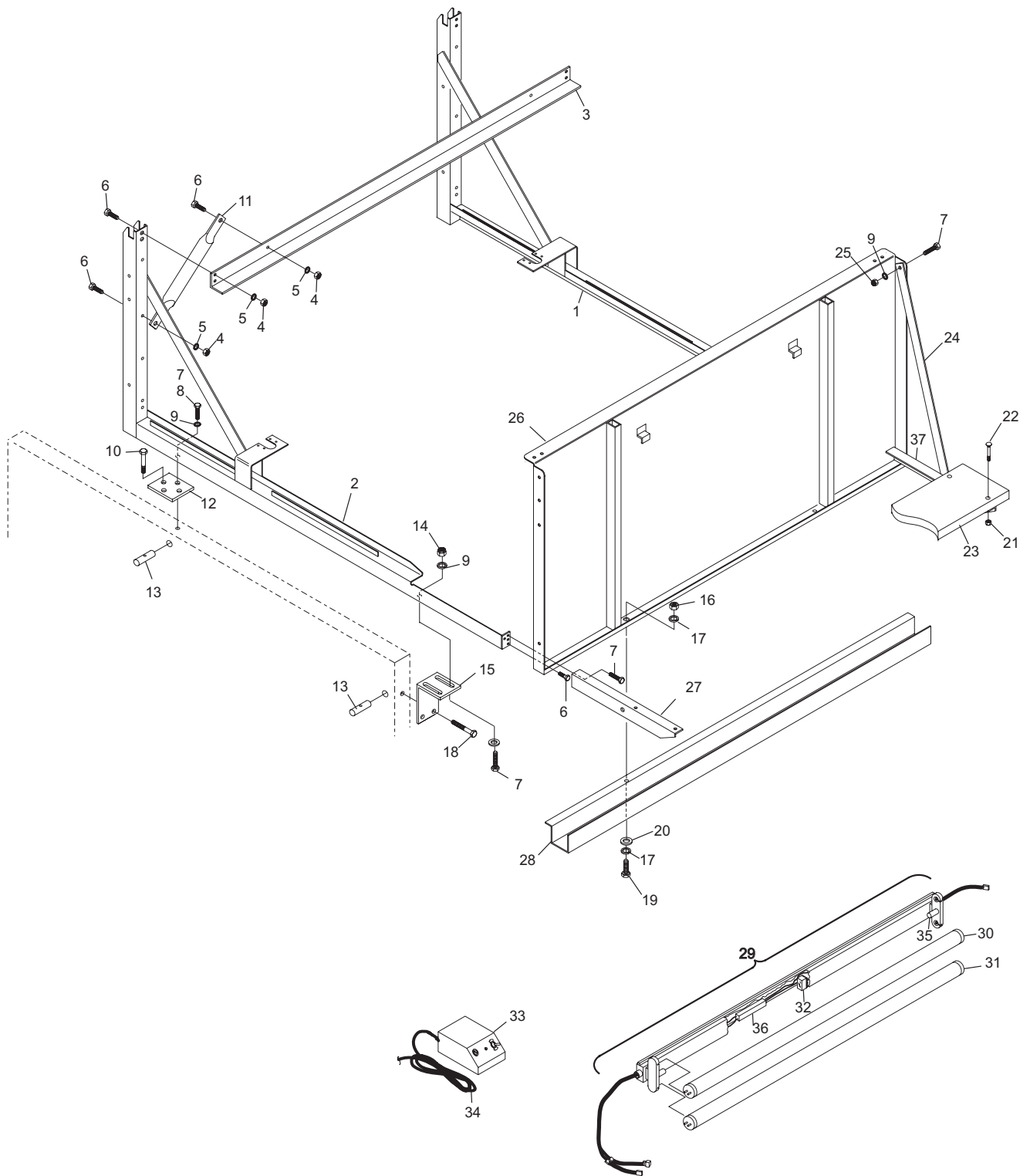
Frame Assembly (GS-96 and Below)

Index

No.	Part No.	Description
1.	47-085443-002	R.H.Side Frame
2.	47-085442-002	L.H. Side Frame
3.	47-082377-001	N.A. Upper Rear Cross Brace
4.	11-051704-001	Hex Nut (8 mm)
5.	11-051770-001	Lockwasher (8 mm)
6.	11-051038-001	Hex Hd. Cap Screw (8 mm x 16 mm)
7.	11-051005-001	Hex Hd. Cap Screw (10 mm x 20 mm)
8.	11-052050-001	Hex Hd. Cap Screw (10 mm x 30 mm)
9.	11-051771-001	Lockwasher (10 mm)
10.	11-052252-001	N.A. Flat Hd. Screw (8 mm x 60 mm)
	11-052552-001	R.O. Phillips Screw (M8 x 60 mm)
11.	47-082379-004	N.A. Rear Brace Supports
12.	47-080206-004	Common Mounting Plate
13.	84-200073-000	Barrel Nut
14.	11-051745-001	Locknut (10 mm)
15.	47-080207-003	Angle Bracket
16.	11-051702-001	Hex Nut (6 mm)
17.	11-051769-001	Lockwasher (6 mm)
18.	11-051055-001	Lag Screw (8 mm x 60 mm)
19.	11-051509-001	Socket Hd. Cap Screw (6 mm x 12 mm)
20.	11-052048-001	Flat Washer (6.4 mm)
21.	11-051744-001	Locknut (8 mm)
22.	11-052603-001	Carriage Bolt (8 mm x 45 mm)
23.	47-082128-003	Catwalk
24.	47-083659-004	New Style Support Strap
25.	11-051745-001	Locknut (10 mm)
26.	47-085362-002	N.A. Front Frame Support
27.	47-083506-003	L.H. Catwalk Support
28.	47-084955-002	Cable Channel
29.	47-225723-004	Dual Light Assembly - w/o Bulbs or Power Supply/Control Unit (230/380 Volt)
	47-225722-004	Dual Light Assembly - w/o Bulbs or Power Supply/Control Unit (208 Volt)
30.	47-203146-000	Bulb - White
31.	99-220385-004	Bulb - Black (Pkg. of 6)
32.	99-220366-004	Relay (24VAC)
33.	47-225254-003	Power Supply/Control Unit
34.	47-225263-004	Controller Cable
35.	47-203147-000	Starter (230/380 volt pinsetters only)
36.	47-225732-004	Electronic Ballast (208 Volt)
37.	47-081960-003	Catwalk Support (right-hand)

N.A. = No Longer Available

GS-X Frame Assembly (424 and Above)



GS-X Frame Assembly (424 and Above)

Index

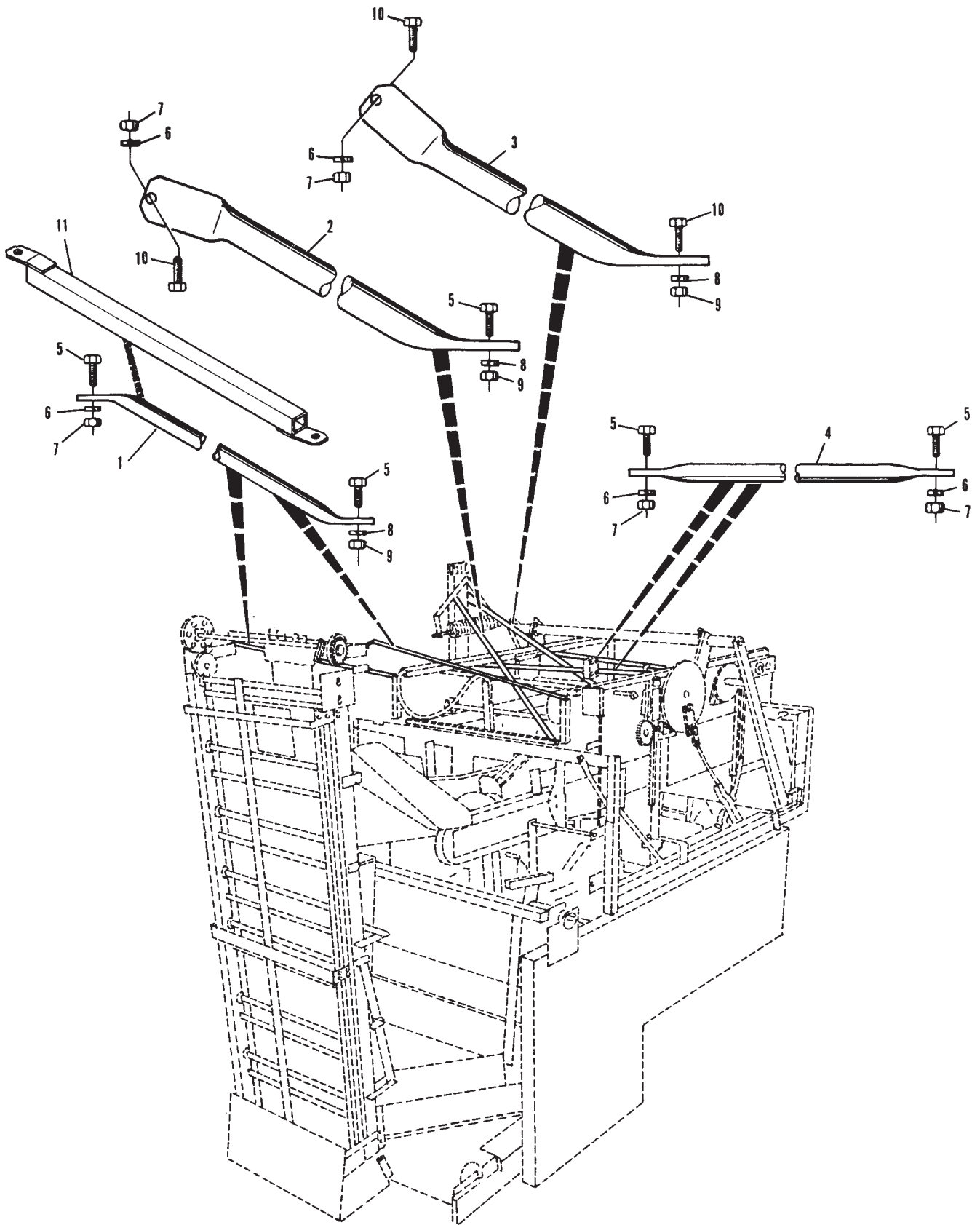
No.	Part No.		Description
1.	*N.A.		Elevator Support Brace
2.	47-081492-003		Rear Guide Tower Support Brace
3.	47-081357-003	N.A.	Front Guide Tower Support Brace
4.	47-081359-004		Cross Support Brace
5.	11-051038-001		Hex Hd. Cap Screw (8 mm x 16 mm)
6.	11-051770-001		Lockwasher (8 mm)
7.	11-051704-001		Hex Nut (8 mm)
8.	11-052003-001		Flat Washer (8.4 mm)
9.	11-051744-001		Locknut (8 mm)
10.	11-051010-001		Hex Hd. Cap Screw (8 mm x 20 mm)
11.	47-084022-003	S.O.	Cable Channel Support Brace

N.A. = No Longer Available

S.O. = Special Order

* Item is replaced with Index No. 11

Support Braces

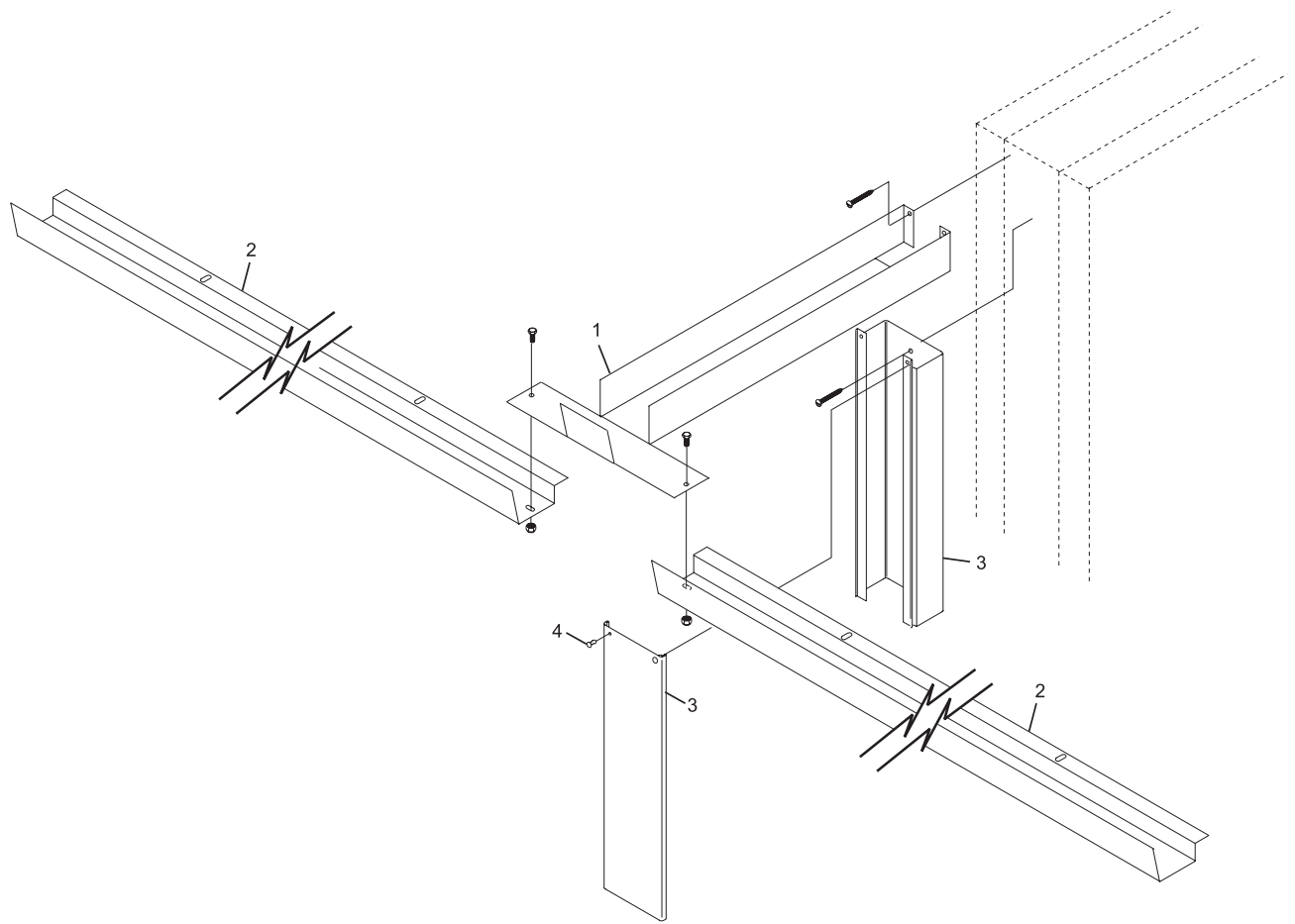


Support Braces

Index

No.	Part No.	Description
1.	47-084956-002	Middle Channel
2.	47-084955-002	Channel (for left-hand and right-hand use)
3.	47-084958-004	Channel/Cover Assembly - complete
4.	47-084959-004	Nylon Push Fastener

Cable Channel (GS-98)



Cable Channel (GS-98)

Intentionally Blank Page