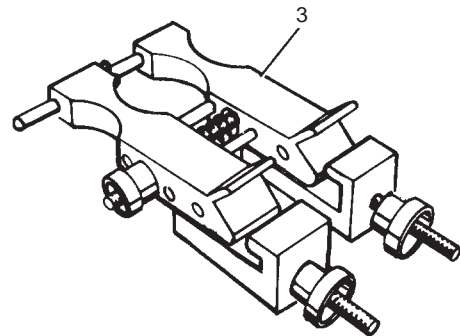
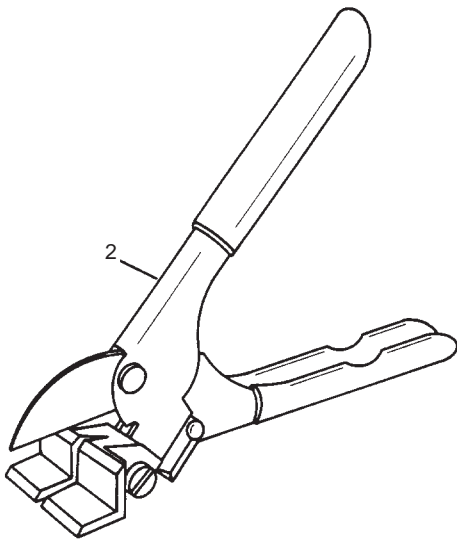
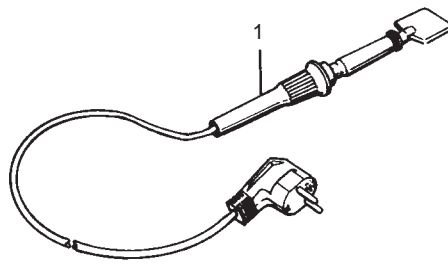


Section P

MISCELLANEOUS

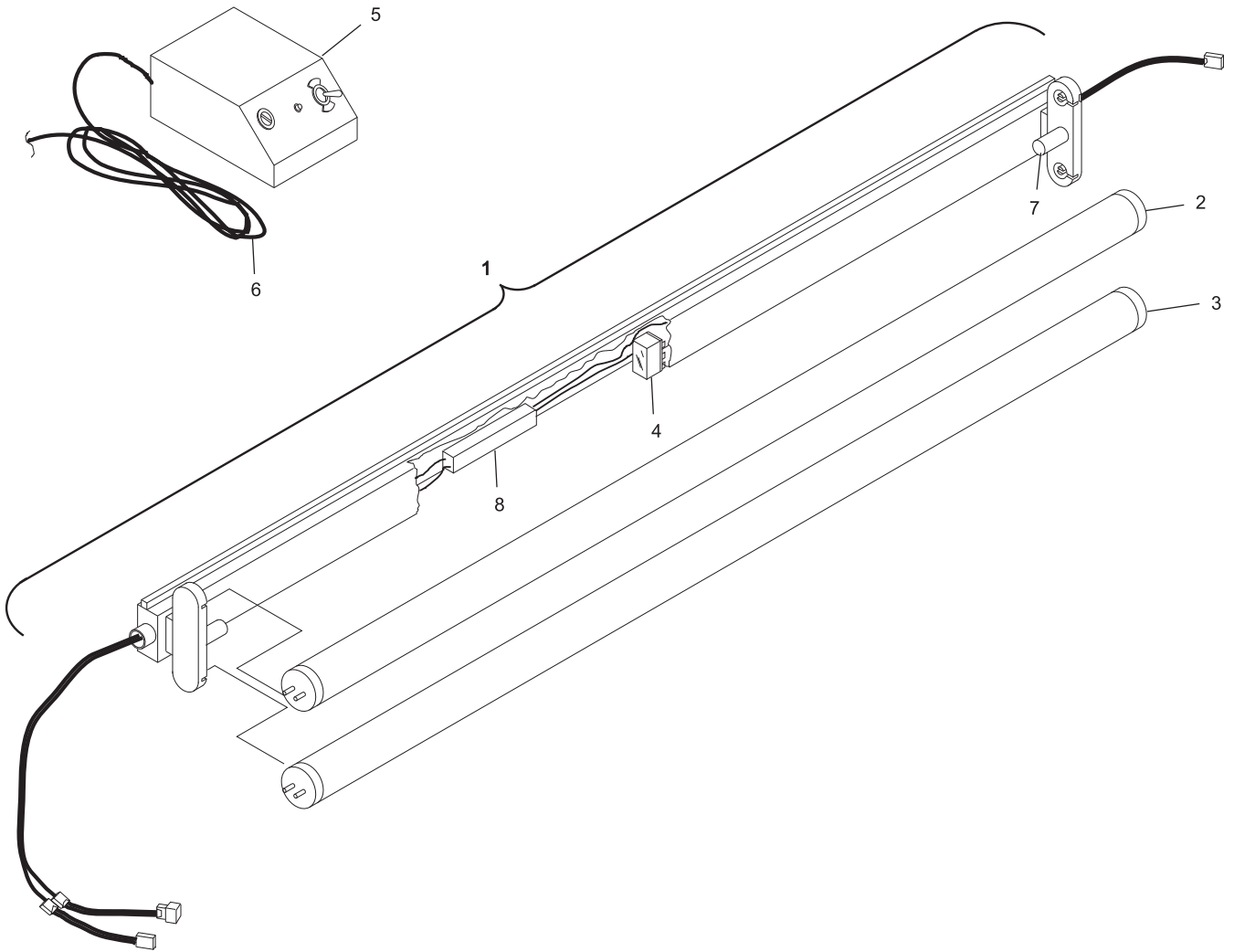
Index No.	Part No.	Description
1.	47-094211-004	Belt Welding Iron (115V)
	47-094208-004	Belt Welding Iron (220V)
2.	47-093876-004	Belt Cutter
3.	47-862770-000	Round Belt Welding Clamp
4.	*47-094206-004	Belt Welding Kit - 115VAC (includes index Nos. 1, 2, and 3)
	*47-093877-004	Belt Welding Kit - 230VAC (includes index Nos. 1, 2, and 3)

* *Not Illustrated*



Belt Welding Kit and Belt Cutter

Index No.	Part No.	Description
1.	47-225723-004	Dual Light Assembly - without Bulbs or Power Supply/Control Unit (230/380 Volt)
	47-225722-004	Dual Light Assembly - without Bulbs or Power Supply/Control Unit (208 Volt)
2.	47-203146-000	Bulb - White
3.	99-220385-004	Bulb - Black (Pkg. of 6)
4.	99-220366-004	Relay (24VAC)
5.	47-225254-003	Power Supply/Control Unit
6.	47-225263-004	Controller Cable
7.	47-203147-000	Starter (230/380 volt pinsetters only)
8.	47-225732-004	Electronic Ballast (208 Volt)



**Dual Pin Lamp System
(Machine Series 443 and Above)**

