

Section L

RED BOX ELECTRICAL

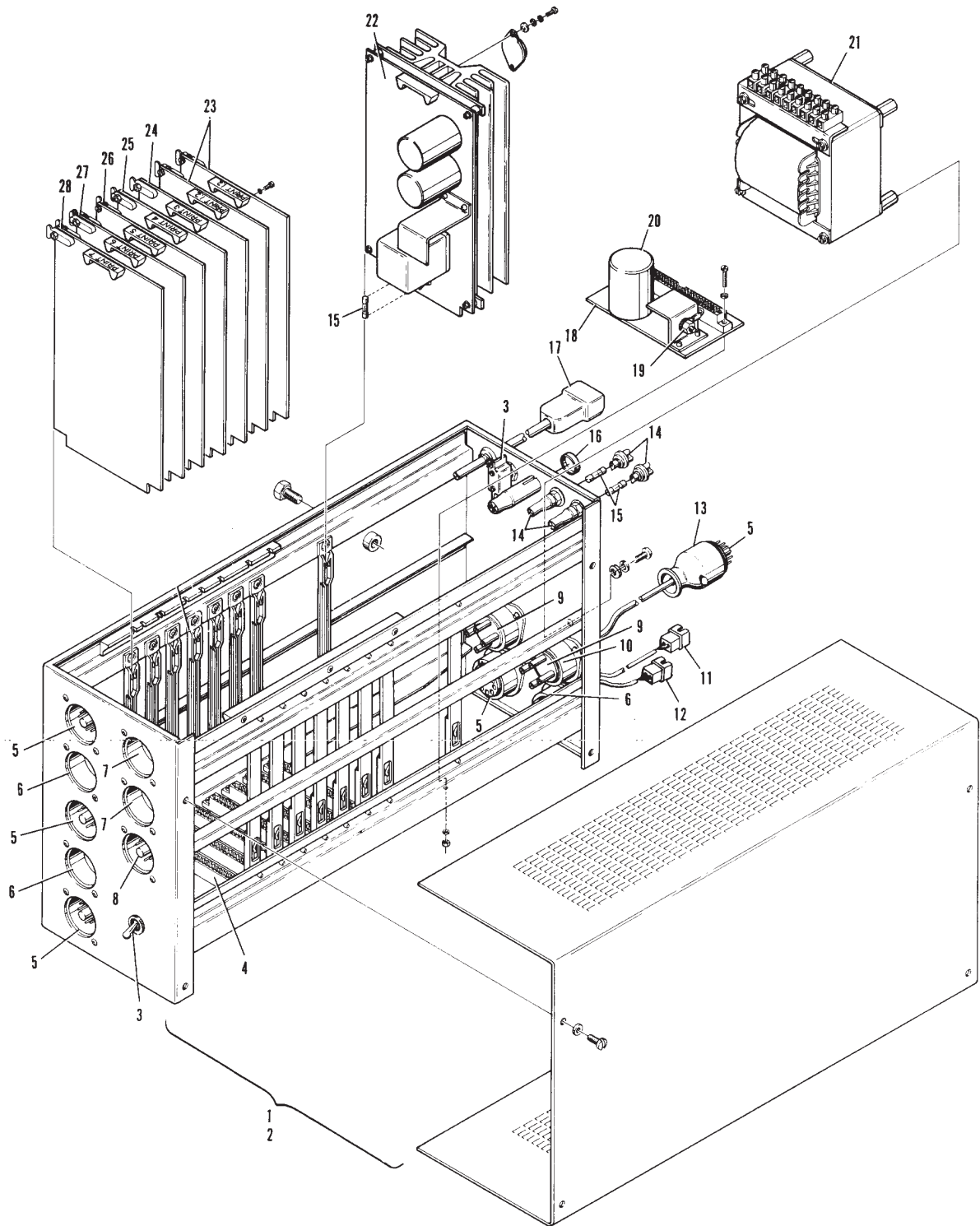
Index

No.	Part No.		Description
1.	*47-200471-002	N.A.	Low Voltage Box Assembly Complete
2.	*47-203137-000	N.A.	Low Voltage Box Assembly w/o PCBs
3.	N.A.		Toggle Switch
4.	N.A.		PCB Socket
5.	47-223105-000	N.A.	Amphenol Plug (11 position)
6.	N.A.		Amphenol Socket (11 position)
7.	47-203139-000	N.A.	Amphenol Socket (6 position)
8.	47-213135-000	N.A.	Amphenol Plug (8 position)
9.	N.A.		Amphenol Plug (4 position)
10.	N.A.		Amphenol Plug Support
11.	N.A.		Amphenol Receptacle w/Contacts for B-2000
12.	47-242940-003	N.A.	Cable w/Molex Socket
13.	47-223108-000	N.A.	Amphenol Cap
14.	N.A.		Fuse Holder
15.	47-203141-000	N.A.	Fuse
16.	N.A.		Signal Lamp
17.	N.A.		Line Plug
18.	47-203005-003	N.A.	PCB Number 9 Assembly
19.	N.A.		Diode
20.	N.A.		Capacitor
21.	46-200582-004	N.A.	Transformer
22.	45-200107-004		PCB number 8 (power supply)
23.	47-200431-002	N.A.	PCB numbers 1 & 2
24.	47-200432-002		PCB number 3
25.	47-200433-002		PCB number 4
26.	47-200434-002		PCB number 5
27.	47-200435-002		PCB number 6
28.	47-200436-002		PCB number 7

N.A. = No Longer Available

* With cables for B-2000 and AS-80, Position 7.

Low Voltage Electrical Box



Low Voltage Electrical Box

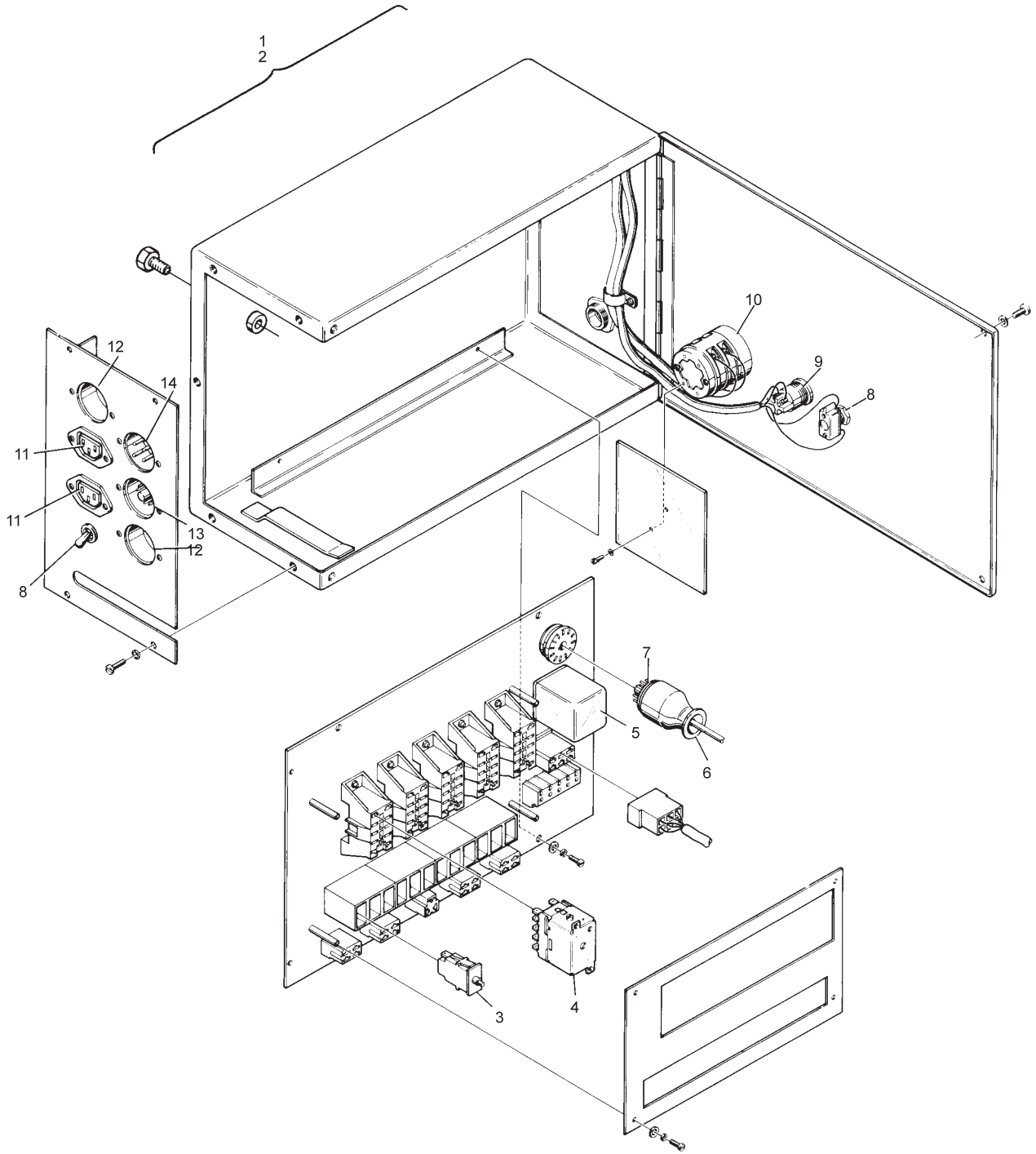
Index

No.	Part No.		Description
1.	47-210475-002	N.A.	High Voltage Box Assembly Complete (380V)
2.	47-213122-000	N.A.	High Voltage Box Assembly Complete (220V)
3.	47-213123-000	N.A.	Overload Breaker (1.0 Amp)
	47-213124-000	N.A.	Overload Breaker (1.5 Amp)
	47-213125-000	N.A.	Overload Breaker (1.8 Amp)
	47-213126-000	N.A.	Overload Breaker (2.0 Amp)
	47-213127-000	N.A.	Overload Breaker (2.5 Amp)
	47-213128-000	N.A.	Overload Breaker (3.5 Amp)
4.	47-213129-000	N.A.	Contactactor
5.	47-213130-000	S.O.	Relay
6.	47-223108-000	N.A.	Amphenol Cap
7.	47-223105-000	N.A.	Connector
8.	N.A.		Toggle Switch
9.	47-213132-000	N.A.	Push Button
10.	47-213133-000	N.A.	Main Switch
11.	N.A.		Line Socket
12.	N.A.		Connector
13.	N.A.		Connector
14.	N.A.		Connector

N.A. = No Longer Available

S.O. = Special Order

High Voltage Electrical Box

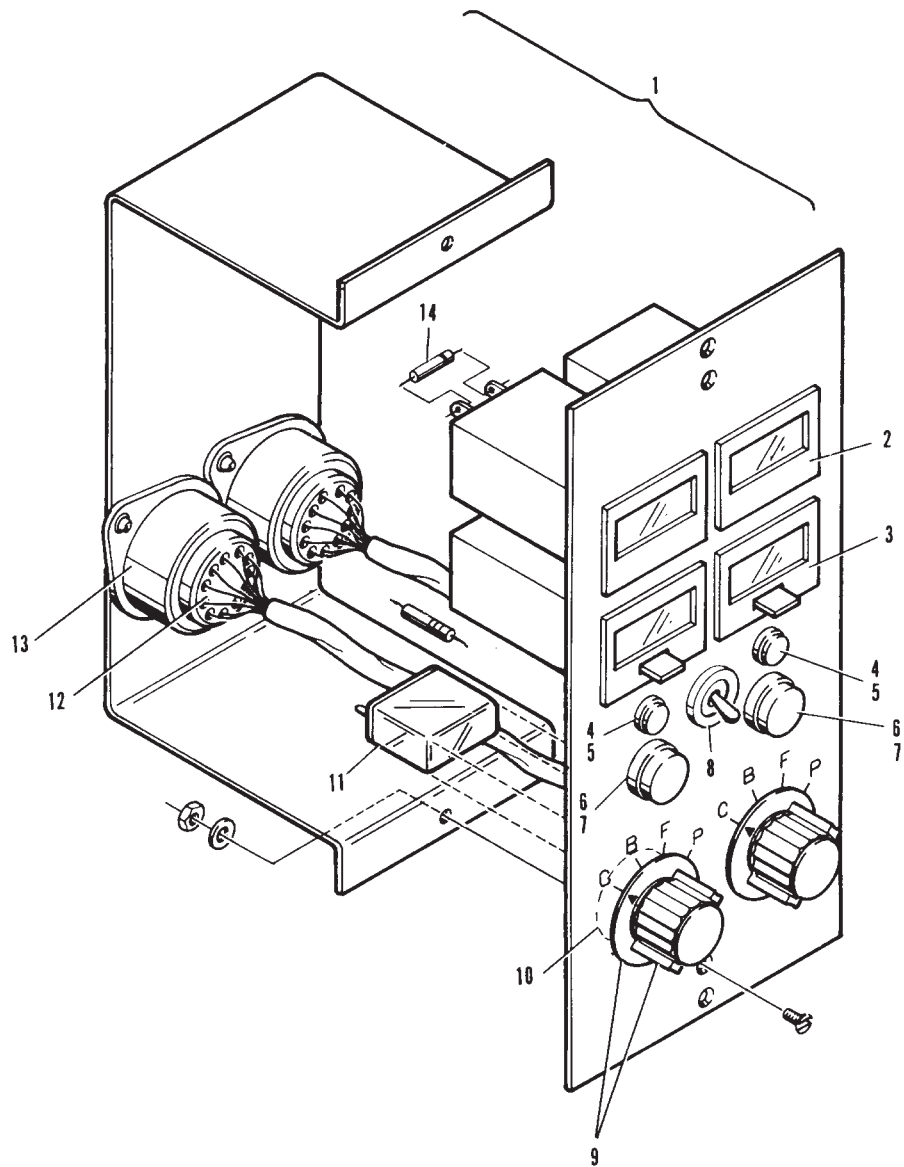


High Voltage Electrical Box

Index

No.	Part No.	Description
1.	N.A.	Manager's Control Assembly Complete
2.	47-223093-000	Counter (non-resettable)
3.	47-223094-000	Counter (resettable)
4.	47-223095-000	Failure Lamp Assembly with Bulb
5.	47-223096-000	Failure Lamp Bulb
6.	47-223097-000	Push Button Assembly with Lamp
7.	47-223098-000	On-Off Lamp
8.	N.A.	Toggle Switch
9.	47-223100-000	N.A. Switch Knob Assembly
10.	47-223103-000	N.A. Rotary Switch
11.	47-223104-000	N.A. Relay
12.	47-223105-000	Connector
13.	N.A.	Plug Support
14.	47-223106-000	N.A. Diode

N.A. = No Longer Available



**Manager's Control
Red Box Electrical**

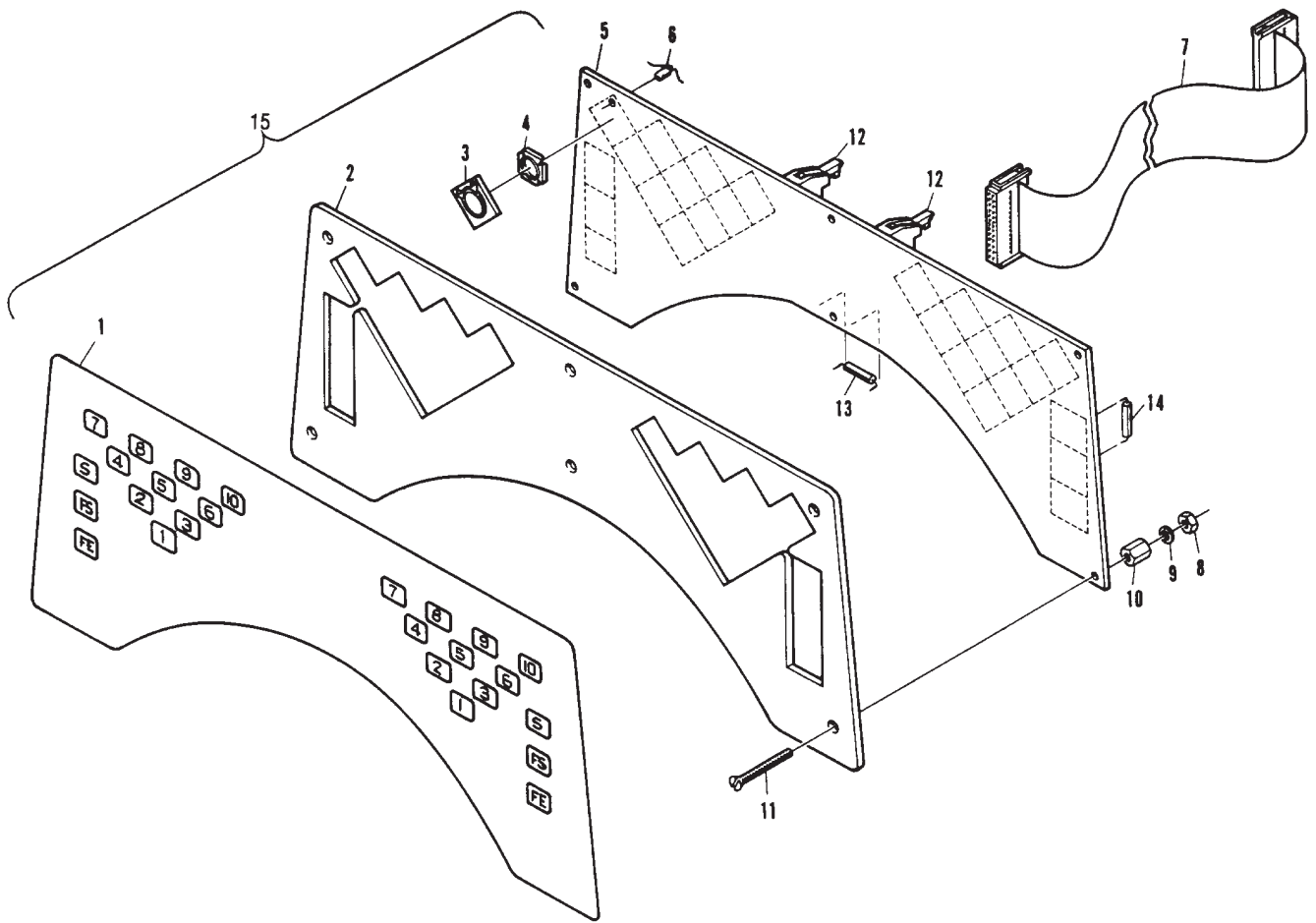
Index

No.	Part No.		Description
1.	47-223049-001		Screening Foil
2.	47-223048-001	N.A.	Spacer Plate
3.	47-223113-000		Key
4.	47-223114-000	N.A.	Switch
5.	47-223046-002	N.A.	Printed Circuit Board Assembly
6.	47-223115-000	N.A.	LED
7.	47-223064-004		Ribbon Cable Assembly
8.	11-051746-001		Locknut (3 mm)
9.	11-052055-001	N.A.	Flat Washer (3.2 mm)
	47-861013-001	R.O.	Flat Washer (3.2 mm) Pkg. of 20
10.	47-223118-000	N.A.	Spacing Bolt (3 mm x 8 mm)
11.	11-052457-001	N.A.	Sltd. Flat Hd. Machine Screw (3 mm x 30 mm)
	47-861019-001	R.O.	Sltd. Flat Hd. Machine Screw (3 mm x 30 mm) Pkg. of 20
12.	N.A.		Connector
13.	47-223121-000	N.A.	Resistor
14.	47-223106-000	N.A.	Diode
15.	47-223050-002		Player Control Board Complete

N.A. = No Longer Available

R.O. = Replacement Option

Player Control Unit



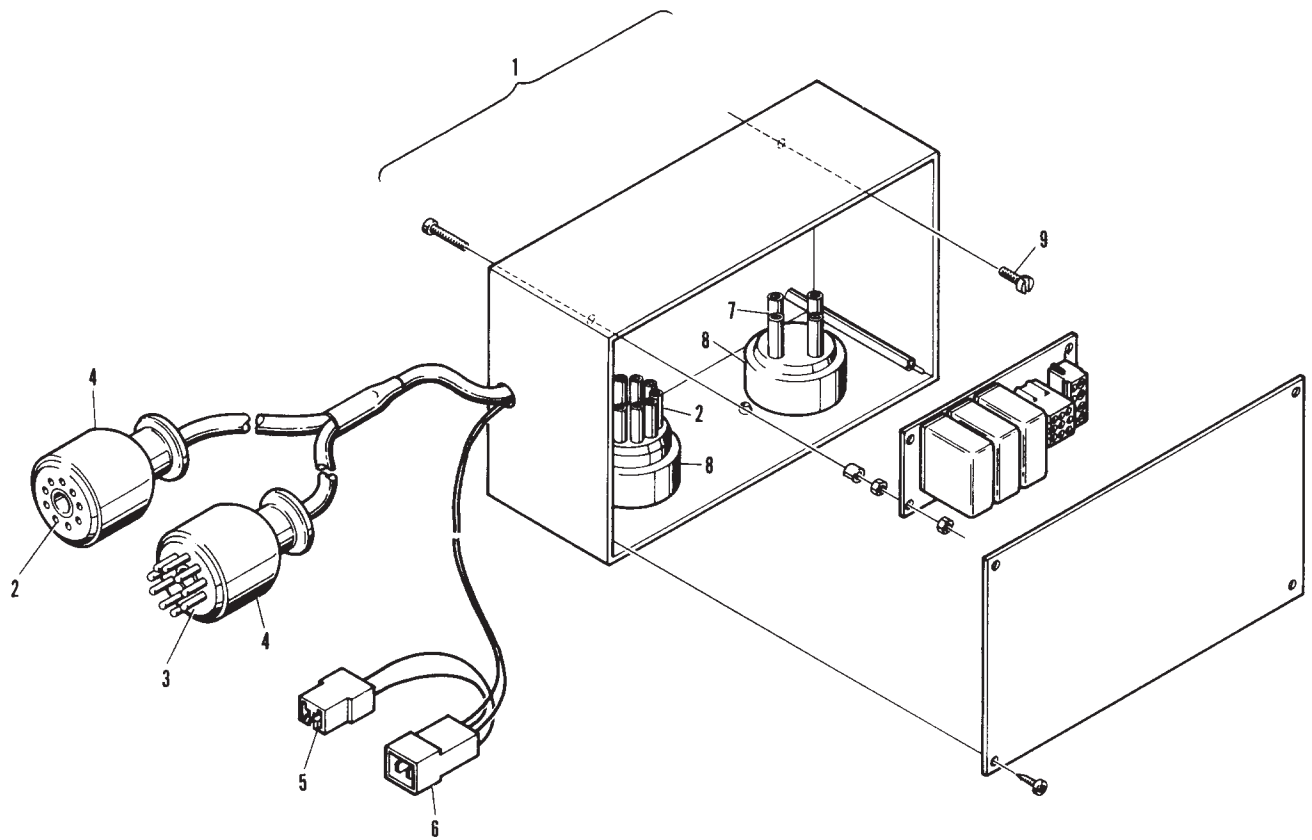
Player Control Unit

Index

No.	Part No.		Description
1.	47-223004-004	N.A.	Player Control Box Assembly Complete
2.	N.A.		Connector
3.	47-223105-000	N.A.	Connector
4.	47-223108-000	N.A.	Amphenol Cap
5.	N.A.		Connector
6.	N.A.		Connector
7.	N.A.		Connector
8.	N.A.		Plug Support
9.	N.A.		Self-Tapping Screw (3.5 mm x 9.5 mm)

N.A. = No Longer Available

N.A.
Player Control Connector Box



N.A.
Player Control Connector Box

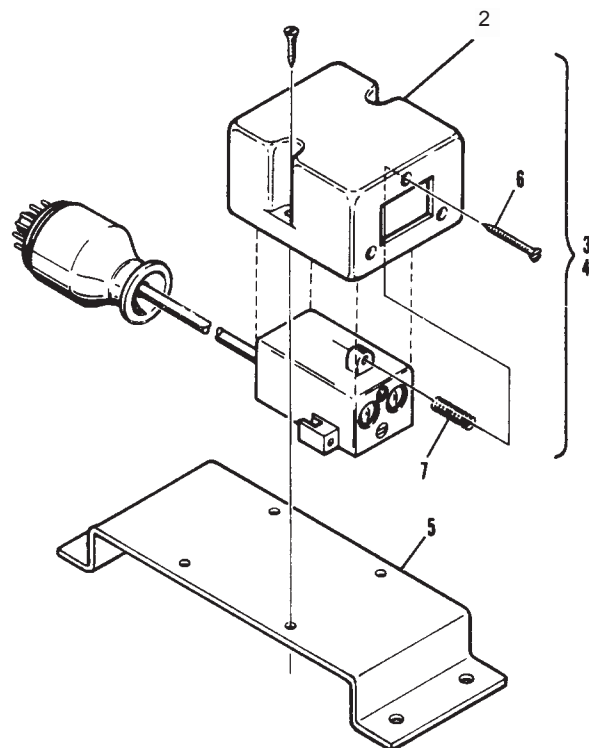
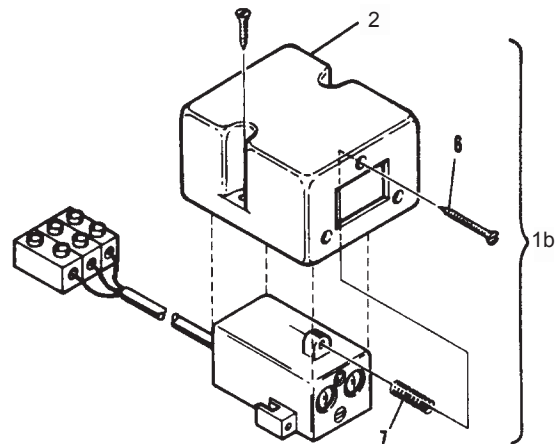
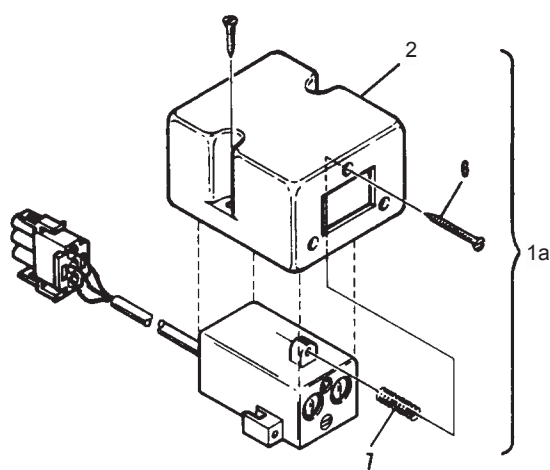
Index

No.	Part No.		Description
1a.	99-080224-004	N.A.	Foul Photocell 0.3m Cable (with AS-80)
1b.	99-080243-004	R.O.	Replacement Kit for Trigger & Foul Photocell 0.12m Cable (with or without AS-80)
2.	99-080186-003		Housing
3.	99-080215-004	N.A.	Trigger Photocell 3.6m cable (with or with o AS-80)
	57-214904-000	R.O.	Photocell and Cable Assembly
4.	99-080216-004	N.A.	Foul Photocell 22m Cable (without AS-80)
5.	N.A.		Support Bracket
6.	N.A.		Flat Hd. Self Tapping Screw (2.9 mm x 25 mm)
7.	99-080180-004		Compression Spring

N.A. = No Longer Available

R.O. = Replacement Option

Foul and Trigger Photocells

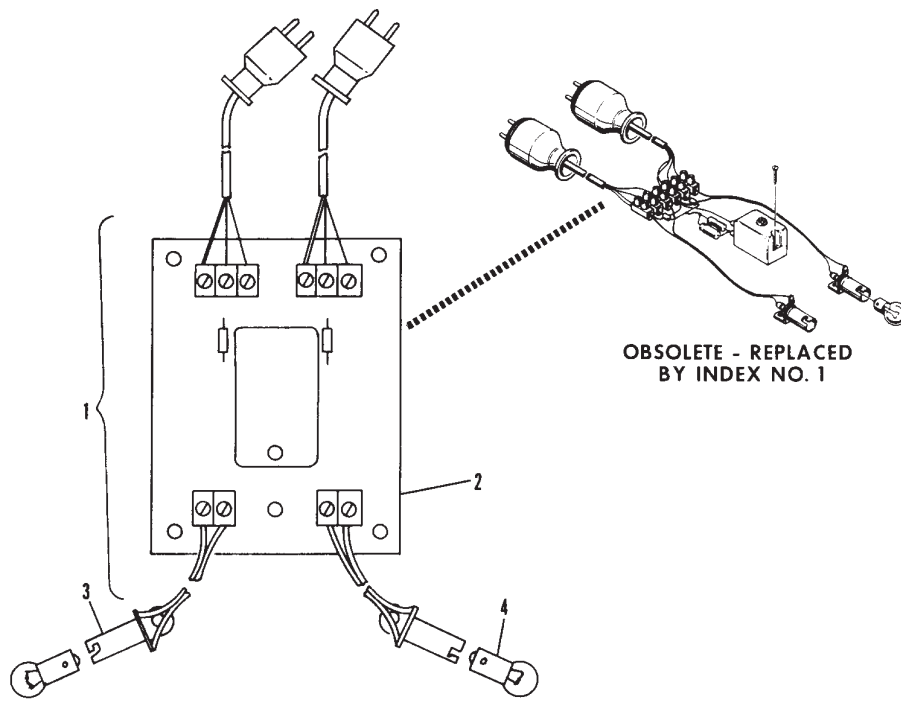


Foul and Trigger Photocells

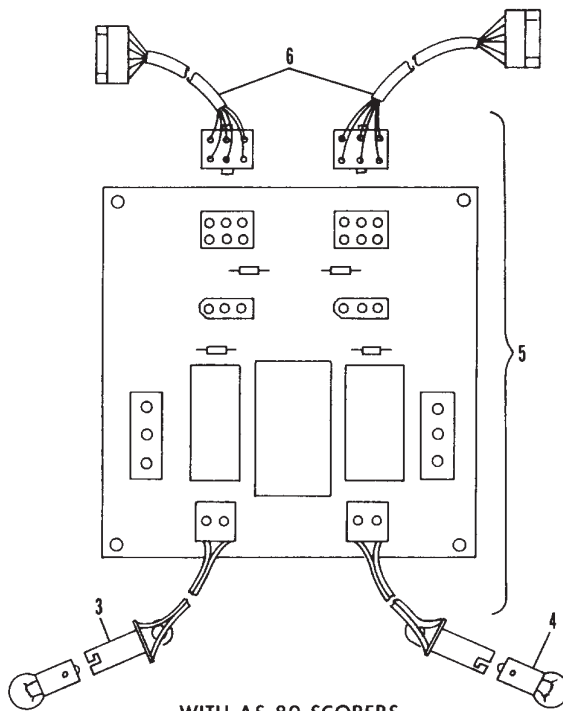
Index

No.	Part No.		Description
1.	N.A.		B-2000 Tel-E-Foul Assembly w/Cables Complete
2.	47-223068-004	N.A.	PCB Assembly
3.	N.A.		Lamp Socket
4.	47-223091-000		Lamp (24V)
5.	47-223057-004	N.A.	PCB Assembly
6.	47-242944-000	N.A.	Cable

N.A. = No Longer Available



WITHOUT AS-80 SCORERS



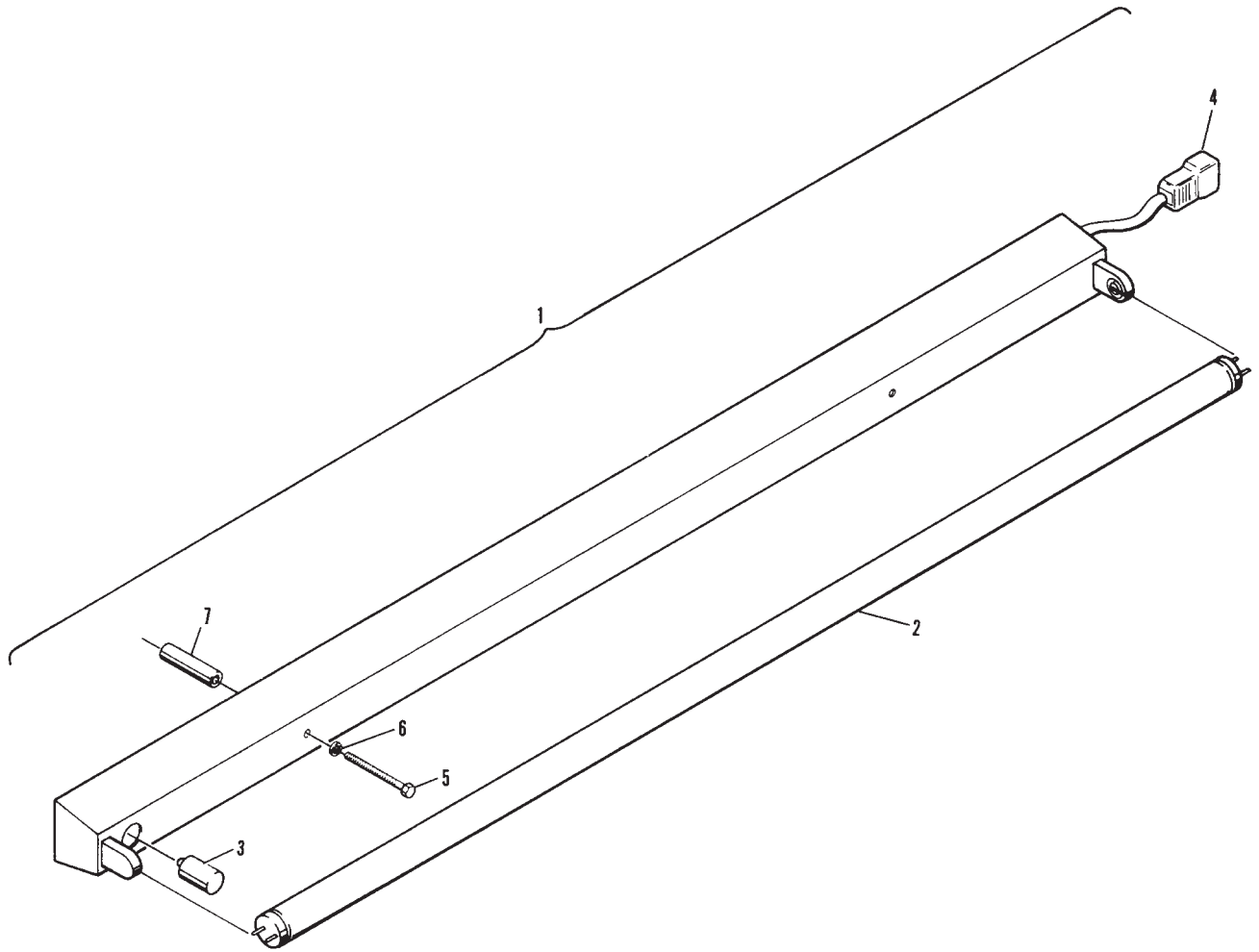
WITH AS-80 SCORERS

Tel-E-Foul Connection Boards

Index

No.	Part No.	Description
1.	47-223074-004	Pin Light Assembly Complete (red box)
2.	47-203146-000	Lamp
3.	47-203147-000	Starter
4.	N.A.	Plug
5.	11-051060-001	Hex Hd. Cap Screw (6 mm x 70 mm)
6.	11-051769-001	Lockwasher (6 mm)
7.	47-083699-004 N.A.	Spacer

N.A. = No Longer Available.



Pin Light Assembly

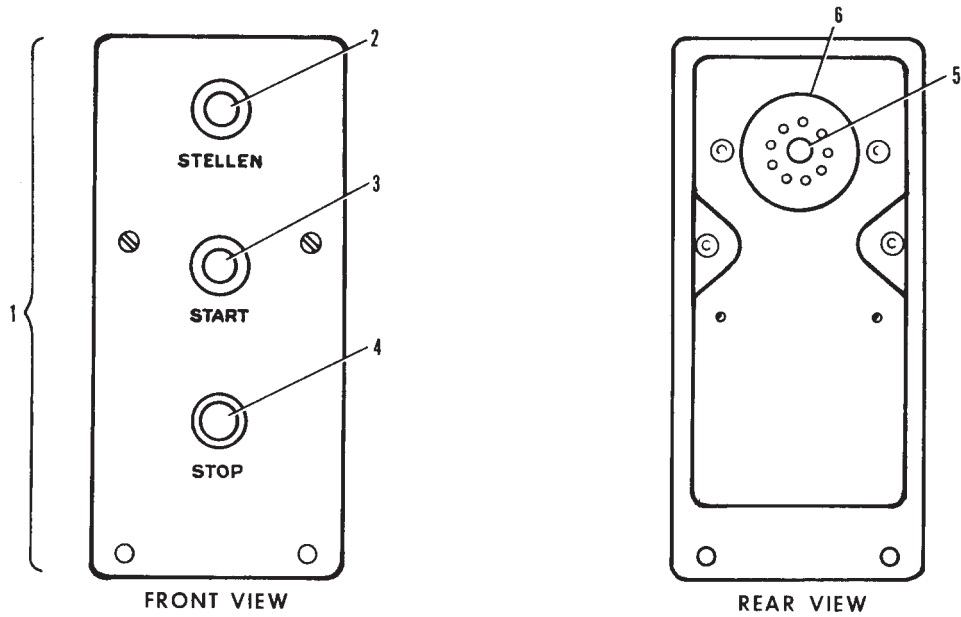
Index

No.	Part No.	Description
1.	47-201385-004	N.A. Remote Control Box Assembly
2.	47-203148-000	N.A. Push Button (Green)
3.	47-203149-000	N.A. Push Button (Black)
4.	47-203150-000	N.A. Magnetic Switch Assembly
5.	47-223105-000	N.A. Amphenol Plug (11 Pin)
6.	N.A.	Amphenol Plug Support
7.	N.A.	Connection Board Assembly

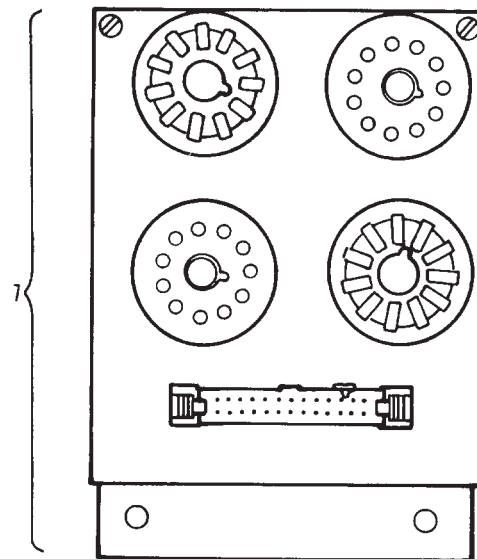
N.A. = No Longer Available

N.A.

Remote (Rear) Control Box and Connection Board Assembly



REMOTE (REAR) CONTROL BOX



CONNECTION BOARD ASSEMBLY

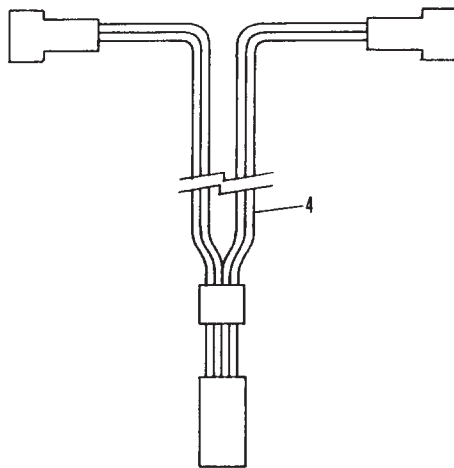
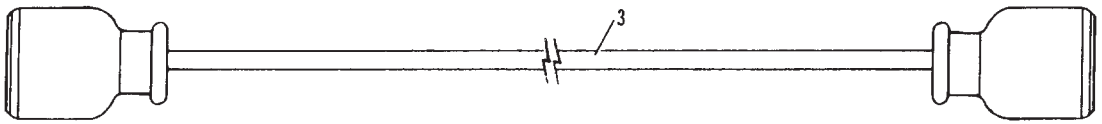
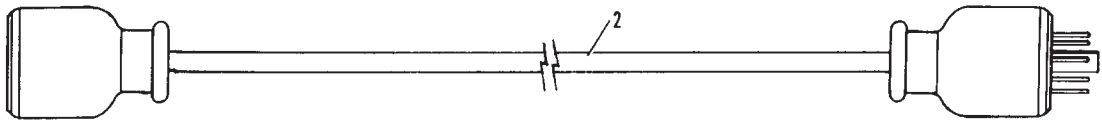
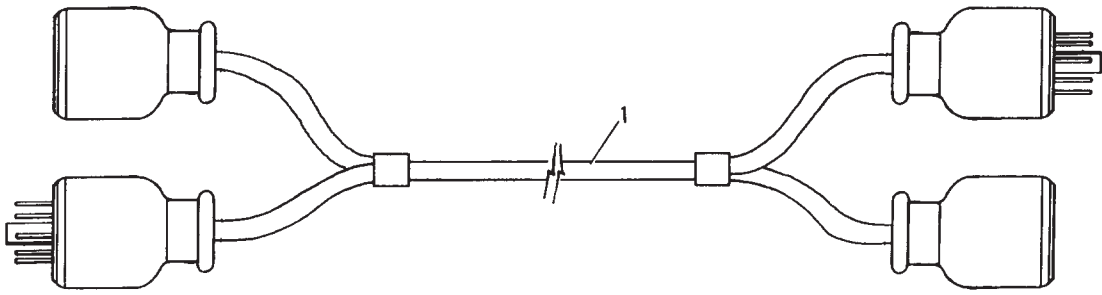
N.A.
 Remote (Rear) Control Box and Connection Board Assembly

Index

No.	Part No.		Description
1.	N.A.		Lane Cable,(22 pin, 30m long)
2.	N.A.		Lane Cable (11 pin, 30m long)
3.	45-240163-004	N.A.	Common Cable for Accelerator (2 pin, 4m long)
4.	47-223013-004	N.A.	Ball Rack Common Cable

N.A. = No Longer Available

Forward Cables



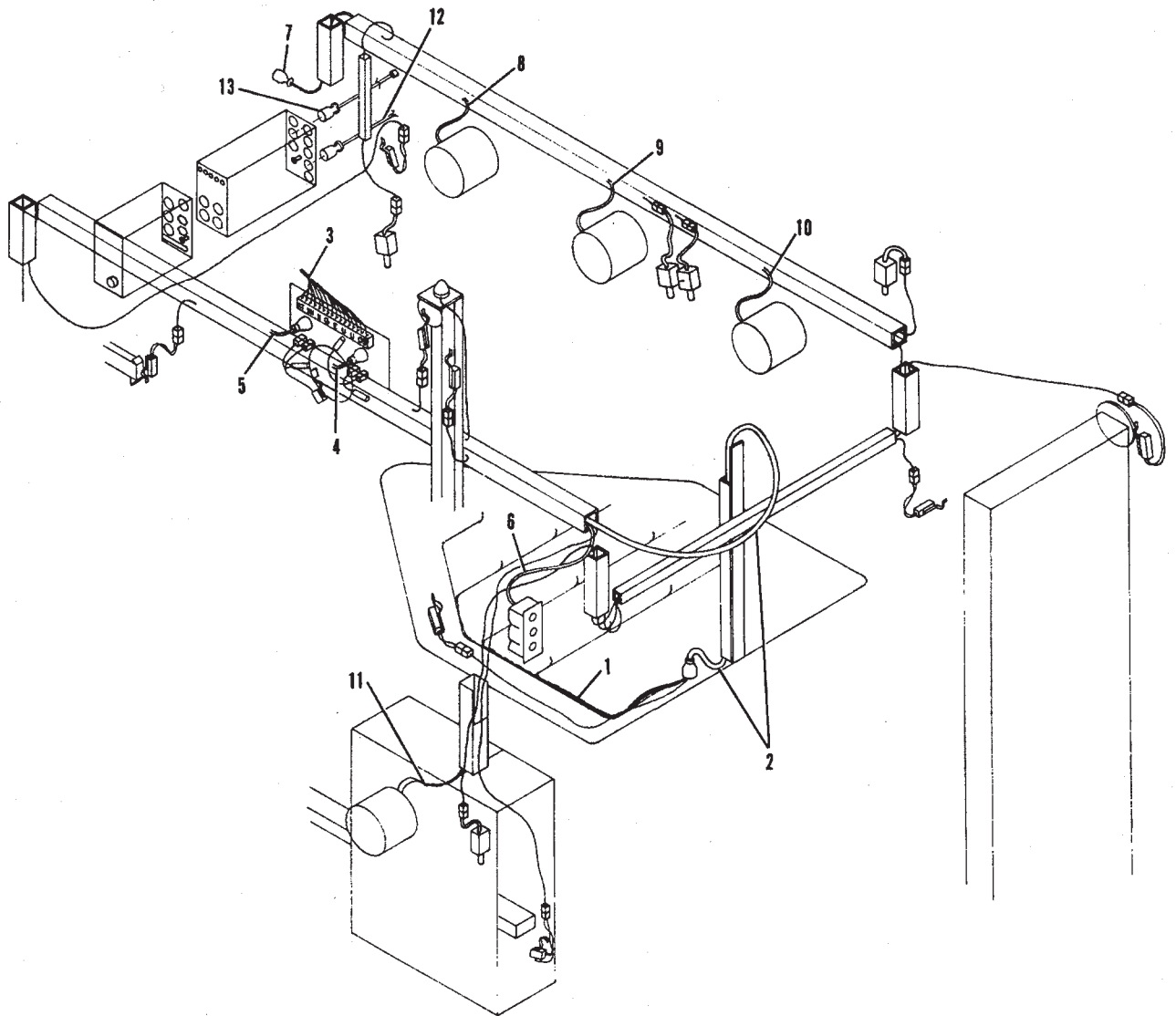
Forward Cables

Index

No.	Part No.		Description
1.	47-241387-004	N.A.	Setting Table Harness (red box) - 3 pin connector
2.	47-241379-004		Setting Table Connection Cable
3.	47-241375-004	N.A.	Switch Cable Harness (E,G,H,KK,U1 & U2)
4.	47-241377-004	N.A.	KSE Cable (8 pin)
5.	47-241395-004	N.A.	KSS Cable (11 pin)
6.	47-223061-004	N.A.	T2 Cable (11 pin)
7.	47-241376-004	N.A.	Solenoid Cable Harness
8.	47-223011-004	N.A.	Elevator Motor Cable
9.	47-223010-004	N.A.	Sweep Motor Cable (Red Box)
10.	47-223009-004		Table Motor Cable
11.	47-223012-004	N.A.	Accelerator Motor Cable
12.	47-243017-004	N.A.	Lane Cable Adaptor (key)
13.	47-243016-004	N.A.	Photocell Adaptor

N.A. = No Longer Available

Machine Cables



Machine Cables

Intentionally Blank Page