

Section F

SETTING TABLE

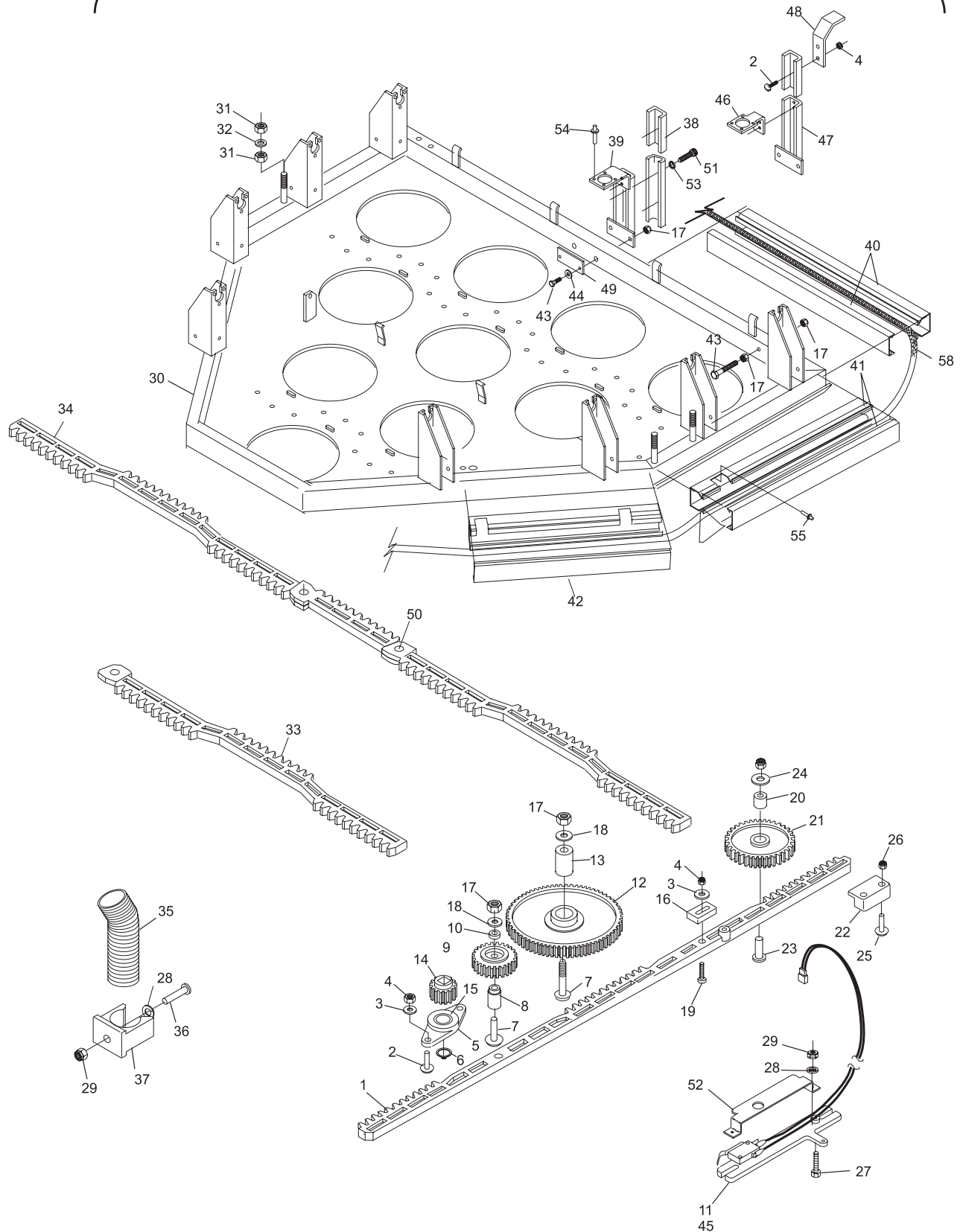
Index

No.	Part No.	Description
1.	47-051635-001	Geared Rack
2.	11-051880-001	N.A. Truss Hd. Machine Screw (6 mm x 16 mm)
	47-861008-001	R.O. Truss Hd. Machine Screw (6 mm x 16 mm) Pkg. of 10
3.	11-052008-001	Flat Washer (6.4 mm)
4.	11-051743-001	Locknut (6 mm)
5.	47-051625-004	Shaft Support
6.	11-051855-001	Retaining Ring (10)
7.	11-051878-001	Truss Hd. Machine Screw (8 mm x 45 mm)
8.	47-052021-004	Spacer Bushing
9.	47-052020-004	Gear
10.	47-052022-004	Spacer Ring
11.	99-050230-004	Switch Complete (red box)
12.	47-051616-004	Gear
13.	47-051617-004	Spacer Bushing
14.	47-071615-004	Square Shaft Gear
15.	11-430048-000	Bearing
16.	47-051682-004	Stop
17.	11-051744-001	Locknut (8 mm)
18.	11-052003-001	Flat Washer (8.4 mm)
19.	11-051028-001	Hex Hd. Cap Screw (6 mm x 25 mm)
20.	47-051633-004	Spacer Bushing
21.	47-051632-004	Gear
22.	47-051634-004	Holder
23.	11-051877-001	Truss Hd. Machine Screw (6 mm x 25 mm)
24.	11-052037-001	Flat Washer (6.4 mm)
25.	11-052362-001	Slted. Pan Hd. Machine Screw (5 mm x 20 mm)
26.	11-051742-001	Locknut (5 mm)
27.	11-052353-001	N.A. Slted. Pan Hd. Machine Screw (4 mm x 16 mm)
	47-861017-001	R.O. Slted. Pan Hd. Machine Screw (4 mm x 16 mm) Pkg. of 20
28.	11-052021-001	Flat Washer (4.3 mm)
29.	11-051741-001	Locknut (4 mm)
30.	47-051875-001	Setting Table Frame
31.	11-051707-001	Hex Nut (16 mm)
32.	11-051774-001	Lockwasher (16 mm)
33.	47-051565-002	Toothed Rack (front)
34.	47-053513-009	Toothed Rack Complete (center)
35.	N.A.	Flexible Plastic Conduit (20 mm x 380 mm)
36.	11-052209-001	Slted. Pan Hd. Screw (4 mm x 16 mm)
37.	47-054279-004	Conduit Clamp
38.	47-052396-004	Cable Channel
39.	47-052395-003	Plug Holder Bracket
40.	47-052425-003	Cable Channel
41.	47-052423-003	Cable Channel
42.	47-052424-003	Cable Channel
43.	11-051085-001	N.A. Hex Hd. Cap Screw (8 mm x 45 mm)
	47-861003-001	R.O. Hex Hd. Cap Screw (8 mm x 45 mm) Pkg. of 10
44.	11-051770-001	Lockwasher (8 mm)
45.	47-243027-004	Switch Complete (silver, consolidated and nexgen electronics box)
	99-050330-003	N.A. Bracket Only
46.	47-051203-004	Plug Holder
47.	*N.A.	Cable Channel
48.	47-051522-004	Cable Guide
49.	47-051261-004	Stiffening Plate
50.	11-050301-000	Countersunk Hd. Rivet
51.	11-051509-001	Socket Hd. Cap Screw (6 mm x 12 mm)
52.	47-053812-004	Switch Protector
53.	11-051769-001	Lockwasher (6 mm)
54.	11-053661-000	N.A. Rivet (3.2 mm x 9.5 mm)
55.	11-053660-000	N.A. Rivet (3.2 x 7.4 mm)
	47-861025-000	R.O. Blind Rivet (3.2 mm x 7.4 mm) Pkg. of 20
56.	N.A.	Setting Table Assembly Complete (GS-10 and GS-92, includes Pinholders, Spotting Tongs, & Cables)
57.	N.A.	Setting Table Assembly (GS-96 w/Smart Shark, includes Pinholders, Spotting Tongs, & Cables)
58.	47-243025-003	Setting Table Harness Complete (silver box, 4-pin connector)

N.A. = No Longer Available
R.O. = Replacement Option

* Replaced by Index Nos. 38 and 39.

GS-10 - GS-98 Setting Table and Gears



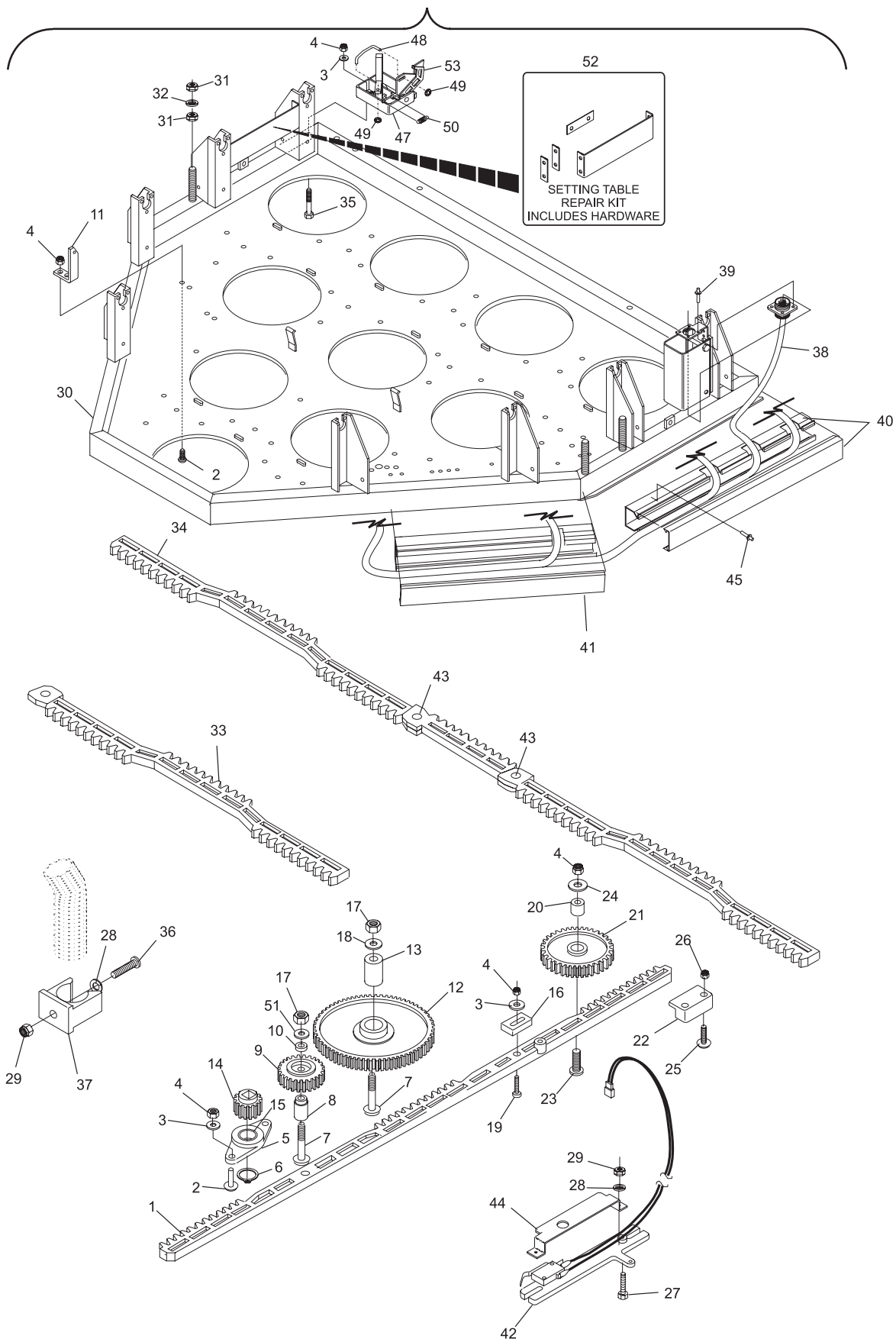
GS-10 - GS-98 Setting Table and Gears

Index

No.	Part No.	Description
1.	47-051635-001	Geared Rack
2.	11-051880-001	N.A. Truss Hd. Machine Screw (6 mm x 16 mm)
	47-861008-001	R.O. Truss Hd. Machine Screw (6 mm x 16 mm) Pkg. of 10
3.	11-052008-001	Flat Washer (6.4 mm)
4.	11-051743-001	Locknut (6 mm)
5.	47-051625-004	Shaft Support
6.	11-051855-001	Retaining Ring (10 mm)
7.	11-051878-001	Truss Hd. Machine Screw (8 mm x 45 mm)
8.	47-052021-004	Spacer Bushing
9.	47-052020-004	Gear
10.	47-052022-004	Spacer Ring
11.	47-055347-004	Spring Holder Bracket
12.	47-051616-004	Gear
13.	47-051617-004	Spacer Bushing
14.	47-071615-004	Square Shaft Gear
15.	11-430048-000	Bearing
16.	47-051682-004	Stop
17.	11-051744-001	Locknut (8 mm)
18.	11-052019-001	Flat Washer (8.4 mm)
19.	11-051817-001	Truss Hd. Machine Screw (6 mm x 25 mm)
20.	47-051633-004	Spacer Bushing
21.	47-051632-004	Gear
22.	47-051634-004	Holder
23.	11-051877-001	Socket Hd. Machine Screw (6 mm x 25 mm)
24.	11-052037-001	Flat Washer (6.4 mm)
25.	11-052362-001	Slted. Pan Hd. Machine Screw (5 mm x 20 mm)
26.	11-051742-001	Locknut (5 mm)
27.	11-052353-001	N.A. Slted. Pan Hd. Machine Screw (4 mm x 16 mm)
	47-861017-001	R.O. Slted. Pan Hd. Machine Screw (4 mm x 16 mm) Pkg. of 20
28.	11-052021-001	Flat Washer (4.3 mm)
29.	11-051741-001	Locknut (4 mm)
30.	47-055177-001	S.O. Setting Table Frame
31.	11-051707-001	Hex Nut (16 mm)
32.	11-051774-001	Lockwasher (16 mm)
33.	47-051565-002	Toothed Rack (front)
34.	47-053513-009	Toothed Rack Complete (center)
35.	11-051060-001	Hex Head Cap Screw (6 mm x 70 mm)
36.	11-052209-001	Slted. Pan Hd. Machine Screw (4 mm x 16 mm)
37.	47-054279-004	Conduit Clamp
38.	47-245164-001	Setting Table Harness - Complete
39.	11-053661-000	N.A. Rivet (3.2 mm x 9.5 mm)
40.	47-055169-003	Cable Channel - long
41.	47-055170-003	Cable Channel - short
42.	47-243027-004	Switch - complete
	99-050330-003	N.A. Bracket Only
43.	11-050301-000	N.A. Countersunk Head Rivet
44.	47-053812-004	Switch Protector
45.	11-053660-000	N.A. Pop Rivet (3.2 mm x 7.4 mm)
	47-861025-000	R.O. Blind Rivet (3.2 mm x 7.4 mm) Pkg. of 20
46.	47-055166-009	S.O. GS-X Setting Table Assembly - Complete (includes Pinholders, Spotting Tongs, and Cables)
47.	47-055150-009	Latch Assembly
48.	47-055138-004	Connecting Link
49.	11-053476-001	Speed Nut 50. 47-051782-004
		Tension Spring
51.	11-052017-001	Flat Washer (8.4 mm)
52.	47-275620-009	Setting Table Repair Kit

N.A. = No Longer Available
R.O. = replacement Option
S.O. = Special Order

**GS-X/CPO Setting Table and Gears
(Series 424 and Above)**



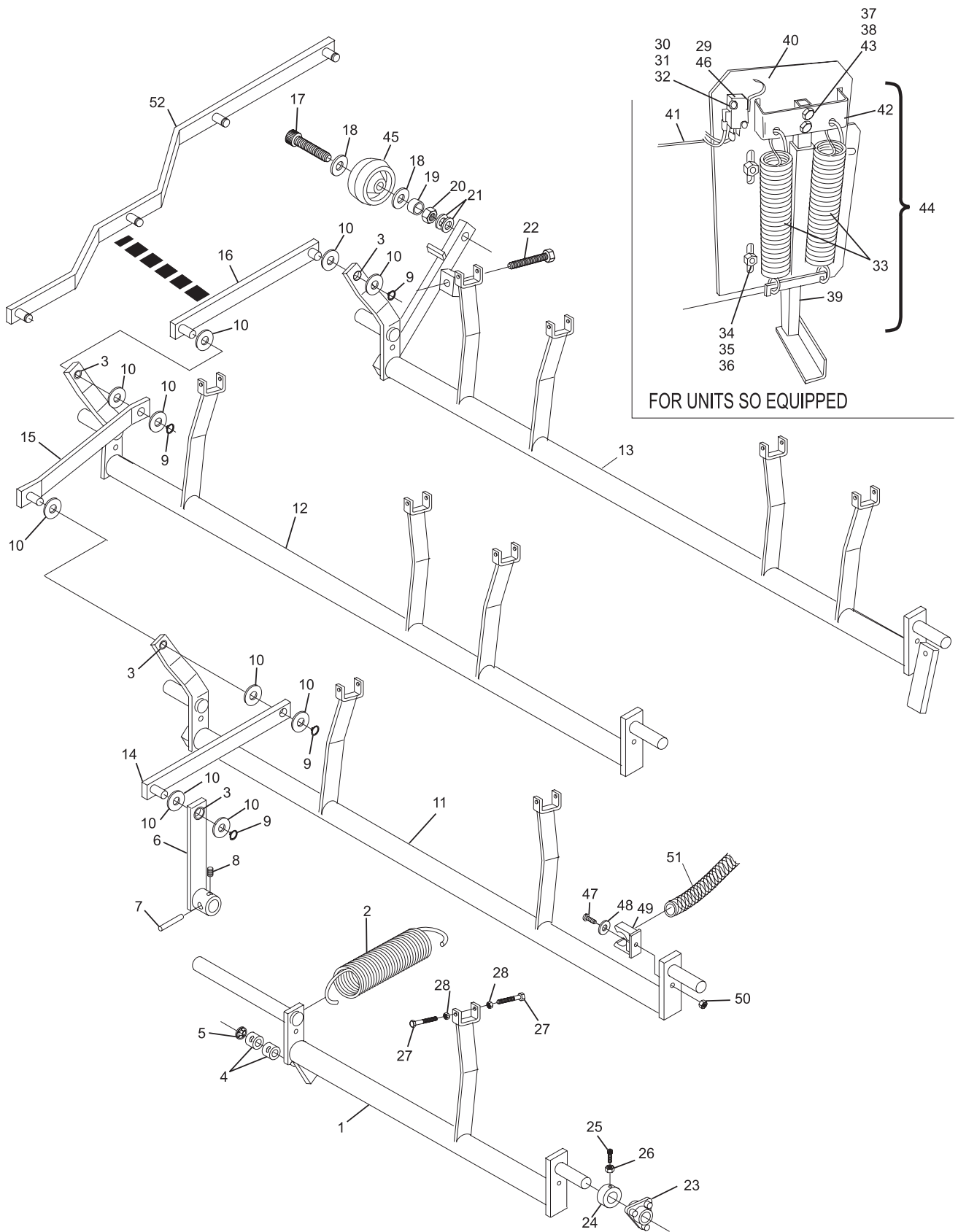
**GS-X/CPO Setting Table and Gears
(Series 424 and Above)**

Index

No.	Part No.	Description
1.	47-051658-002	No. 1 Swing Shaft
2.	47-052240-004	Table Spring
3.	99-010124-004	Bearing
4.	47-041813-004	Bushing
5.	11-053480-001	Speed Nut (10 mm)
6.	47-051660-004	Pivot Lever
7.	11-052678-001	Rolled Pin (5 mm x 36 mm)
8.	11-052801-001	Set Screw (6 mm x 6 mm)
9.	11-051851-001	Retaining Ring (12 mm)
10.	11-054101-001	N.A. Spacer Washer
11.	47-051657-002	No. 2 Swing Shaft
12.	47-051656-002	No. 3 Swing Shaft
13.	47-051655-002	No. 4 Swing Shaft
14.	N.A.	No. 1 Connecting Rod
15.	N.A.	No. 2 Connecting Rod
16.	N.A.	No. 3 Connecting Rod
17.	11-051545-001	N.A. Socket Hd. Cap Screw (12 mm x 70 mm)
	47-861010-001	R.O. Socket Hd. Cap Screw (12 mm x 70 mm) Pkg. of 20
18.	11-052024-001	Flat Washer (13 mm)
19.	47-051681-004	Spacer
20.	11-051706-001	Hex Nut (12 mm)
21.	11-052032-001	Flat Washer (13 mm)
22.	11-051012-001	Hex Hd. Cap Screw (10 mm x 70 mm)
23.	46-050305-004	Bearing
24.	11-053619-001	Stop Collar (20 mm)
25.	11-051514-001	Socket Hd. Cap Screw (6 mm x 16 mm)
26.	11-051702-001	Hex Nut (6 mm)
27.	11-051027-001	Hex Hd. Cap Screw (5 mm x 40 mm)
28.	11-051701-001	Hex Nut (5 mm)
29.	47-073534-004	Switch (red box)
30.	11-053352-001	Pan Hd. Screw (3 mm x 20 mm)
31.	11-052055-001	N.A. Flat Washer (3.2 mm)
	47-861013-001	R.O. Flat Washer (3.2 mm) Pkg. of 20
32.	11-051746-001	Locknut (3 mm)
33.	47-081654-004	Tension Spring
34.	11-052003-001	Flat Washer (8.4 mm)
35.	11-051010-001	Hex Hd. Cap Screw (8 mm x 20 mm)
36.	11-051744-001	Locknut (8 mm)
37.	11-051001-001	Hex Hd. Cap Screw (6 mm x 12 mm)
38.	11-051769-001	Lockwasher (6.1 mm)
39.	47-082398-004	Table Jam Switch Actuator Arm
40.	47-082397-003	Switch Plate
41.	47-082324-003	N.A. Bracket
42.	47-082329-004	N.A. Table Jam Switch Actuator Spring Bracket
43.	47-082331-004	N.A. Nut Plate
44.	47-082323-001	Table Jam Switch Assembly Complete
45.	47-051295-004	Roller
46.	47-243028-004	Switch (silver, consolidated and nexgen electronics box)
47.	11-052209-001	Slotted Cheese Head Screw (4 mm x 16 mm)
48.	11-052021-001	Flat Washer (4.3 mm)
49.	47-054279-004	Conduit Clamp
50.	11-051741-001	Locknut (4 mm)
51.	N.A.	Flexible Plastic Conduit (20 mm x 380 mm)
52.	47-055116-003	One-Piece Connecting Rod

N.A. = No Longer Available

R.O. = Replacement Option



GS-10 - GS-98 Setting Table Swing Shafts

Index

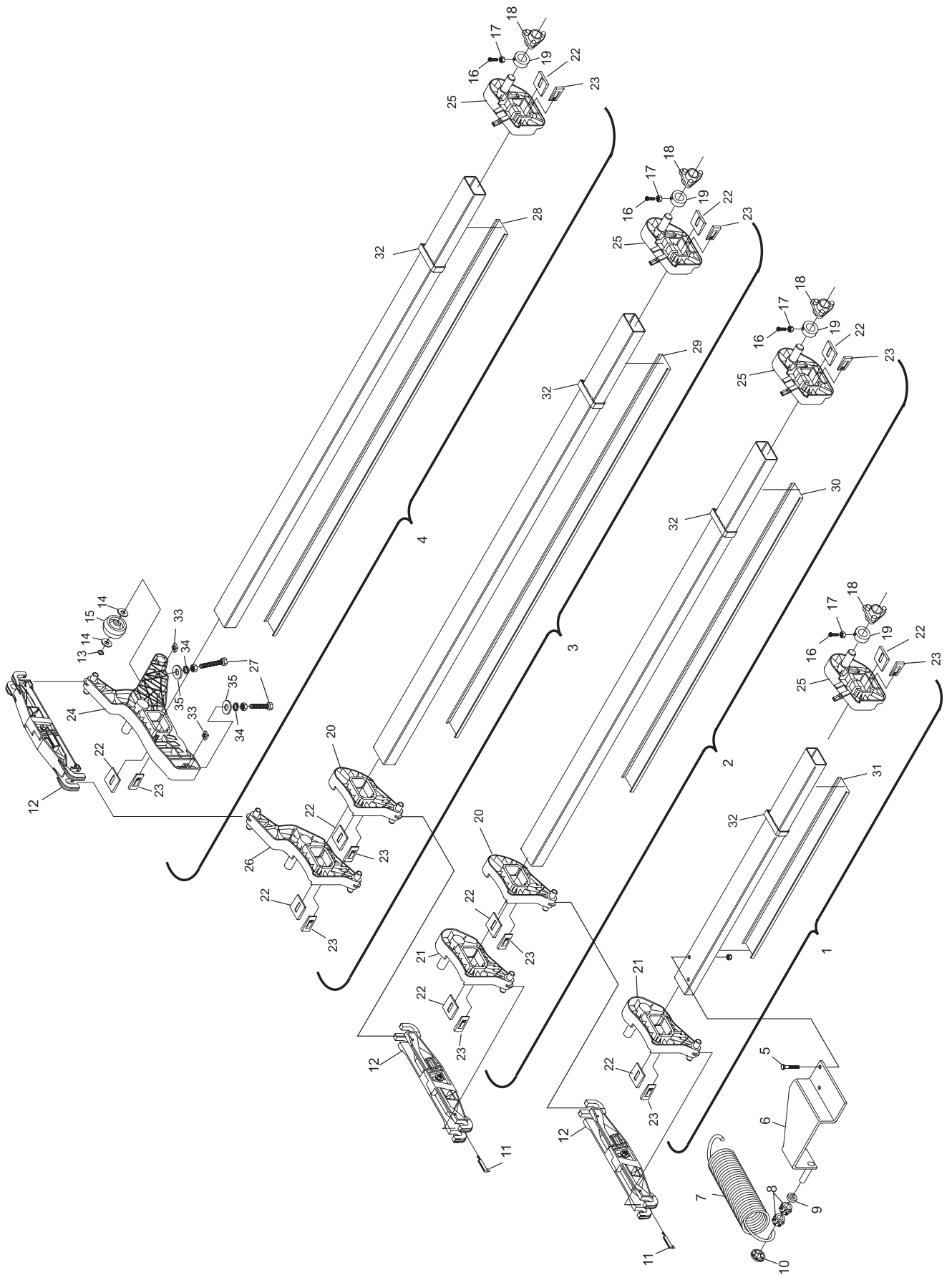
No.	Part No.	Description
1.	47-055316-002	Shaft Assembly
2.	47-055318-002	Shaft Assembly
3.	47-055324-002	Shaft Assembly
4.	47-055326-002	Shaft Assembly
5.	11-051007-001	Hex Hd. Cap Screw (6mm x 40 mm)
6.	47-055321-003	Spring Bracket
7.	47-052240-004	Tension Spring
8.	47-041813-004	Roller
9.	47-071162-004	Spacer Bushing
10.	11-053480-001	Speed Nut (10 mm)
11.	47-054997-003	Pin
12.	47-055002-002	Link Assembly
13.	11-051851-000	Retaining Ring
14.	11-052024-001	N.A. Flat Washer (13 mm)
	47-861010-001	R.O. Flat Washer (13 mm) Pkg. of 20
15.	47-051295-004	Roller
16.	11-051522-001	Socket Hd. Cap Screw (5 mm x 16 mm)
17.	11-051701-001	Hex Nut (5 mm)
18.	46-050305-004	Bearing
19.	47-055009-004	Stop Collar
20.	47-054992-002	Lever
21.	47-054991-001	Lever
22.	47-055320-003	Wedge (large)
23.	47-055319-003	Wedge (small)
24.	47-054989-001	Lever (7-10 pin)
25.	47-054993-001	Lever
26.	47-054990-001	Lever
27.	11-051054-001	Hex Head Cap Screw (8 mm x 60 mm)
28.	47-055332-004	Channel Cover (1030 mm)
29.	*N/A	Channel Cover (920 mm)
30.	*N/A	Channel Cover (720 mm)
31.	*N/A	Channel Cover (370 mm)
32.	47-055327-001	Stop Clamp
33.	11-055900-001	Square Nut (8 mm)
34.	11-051770-001	Lockwasher (8 mm)
35.	11-052005-001	Flatwasher (8.4 mm)

N.A. = No Longer Available

R.O. = Replacement Option

* Order 47-055332-004 Channel Cover (1030 mm) as a replacement option.
Cut to fit, if necessary.

GS-X/CPO Setting Table Swing Shafts



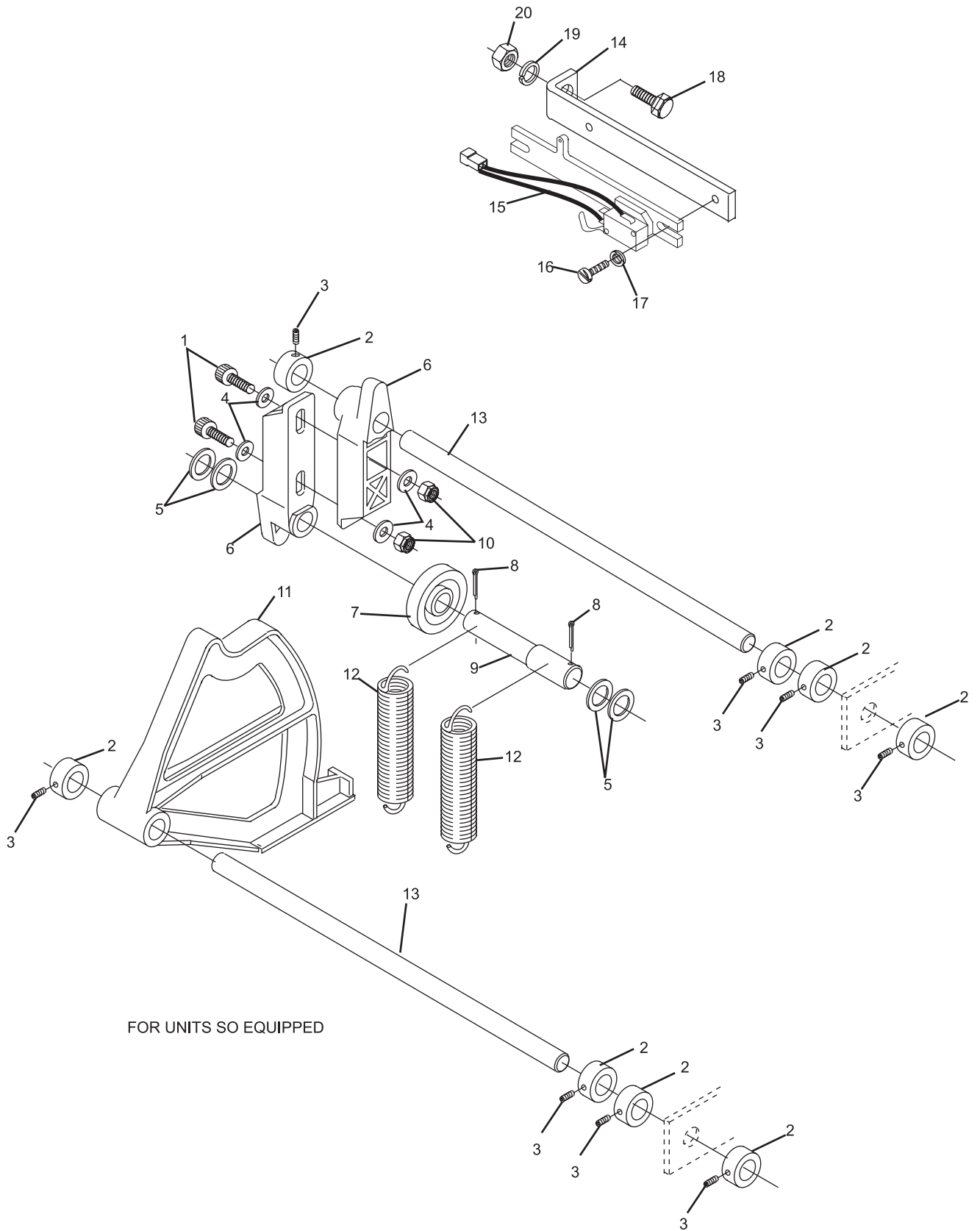
GS-X/CPO Setting Table Swing Shafts

Index

No.	Part No.	Description
1.	11-051515-001	Socket Hd. Cap Screw (6 mm x 18 mm)
2.	11-053616-001	Stop Collar (15 mm)
3.	11-052801-001	Set Screw (6 mm x 6 mm)
4.	11-052048-001	Flat Washer (6.4 mm)
5.	11-052036-001	Flat Washer (15 mm)
6.	47-081650-004	Roller Lever
7.	47-081651-004	N.A. Roller Wheel
8.	11-051786-001	Cotter Pin (2.5 mm x 25 mm)
9.	47-081652-004	Roller Shaft
10.	11-051743-001	Locknut (6 mm)
11.	47-081649-002	Cam
12.	47-081654-004	Tension Spring
13.	47-080744-004	Shaft
14.	47-081771-004	Switch Bracket
15.	99-050230-004	Switch w/Connector Complete
16.	11-052201-001	Slotted Machine Screw (4 mm x 10 mm)
17.	11-052025-001	Flat Washer (4.3 mm)
18.	11-051038-001	Hex Hd. Cap Screw (8 mm x 16 mm)
19.	11-051770-001	Lockwasher (8 mm)
20.	11-051704-001	Hex Nut (8 mm)

N.A. = No Longer Available

GS-10 Setting Table Switch Cam Assembly



GS-10 Setting Table Switch Cam Assembly

Index

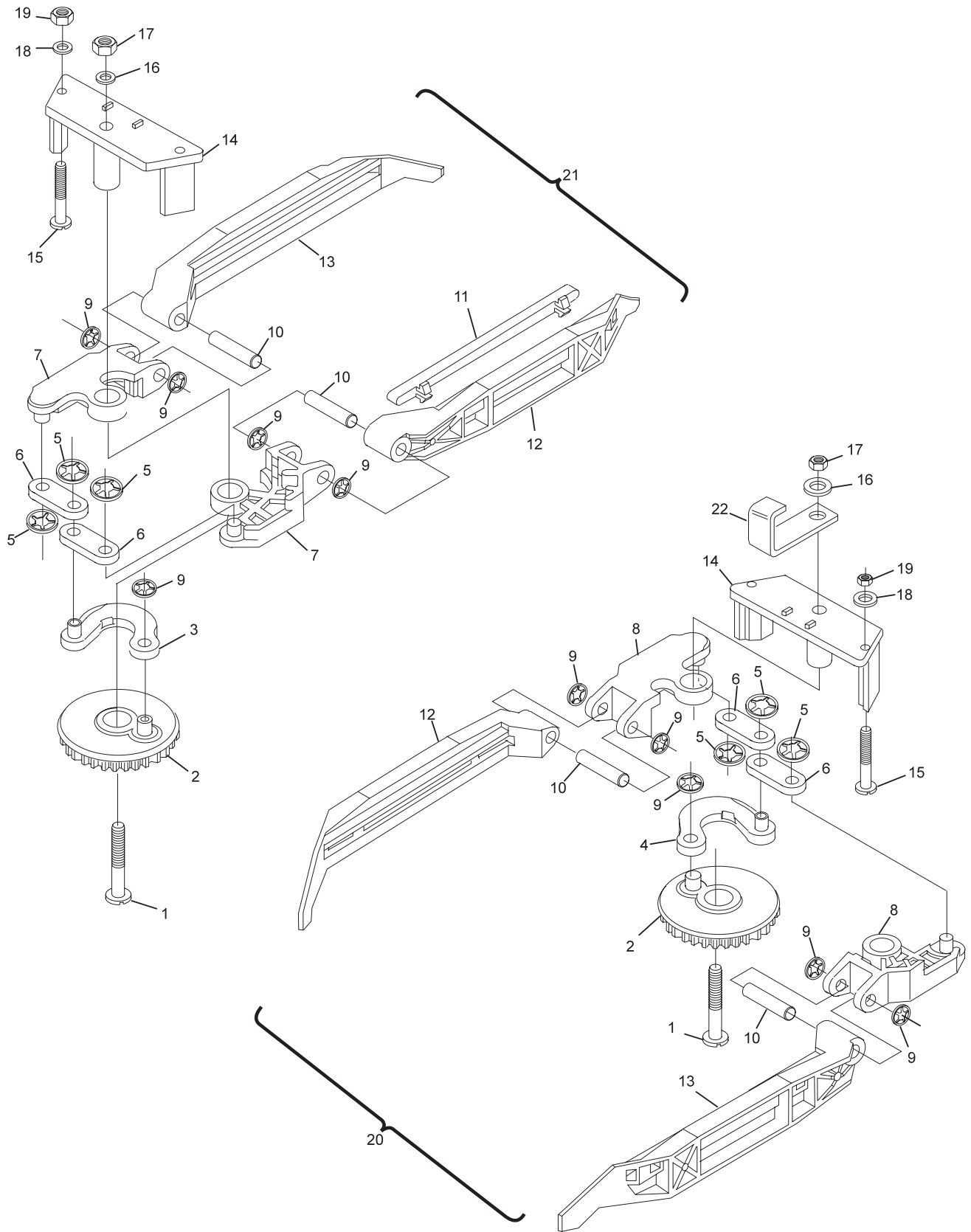
No.	Part No.	Description
1.	11-052351-001	Slt'd. Pan Hd. Machine Screw (6 mm x 55 mm)
2.	47-051760-003	Gear
3.	47-051755-003	Connector
4.	47-053767-003	Connector
5.	11-053479-001	Speed Nut (9 mm)
6.	47-051762-004	Connecting Link
7.	47-051759-004	Pivot Wing
8.	47-053783-004	Pivot Wing
9.	11-053478-001	Speed Nut (8 mm)
10.	47-051761-004	Shaft
11.	47-051758-003	Damper
12.	47-051757-003	Tong
13.	47-053782-003	Tong
14.	47-051756-004	Deck Plate
15.	11-052355-001	Slt'd. Pan Hd. Machine Screw (5 mm x 55 mm)
16.	11-052048-001	Flat Washer (6.4 mm)
17.	11-051743-001	Locknut (6 mm)
18.	11-052005-001	Flat Washer (5.3 mm)
19.	11-051742-001	Locknut (5 mm)
20.	*N.A.	Spotting Tong Complete (pin stations 1,4,5 & 6)
21.	**N.A.	Spotting Tong Complete (pin stations 2,3,7,8,9, and 10)
22.	47-051575-004	Pin Stop - GS98

N.A. = No Longer Available

* Complete Assembly replaced by 47-055117-009 - also order 1 each
11-054459-000 Screw

** Complete Assembly replaced by 47-055118-009 - also order 1 each
11-054459-000 Screw

GS-10 - GS-98 Spotting Tong Assemblies

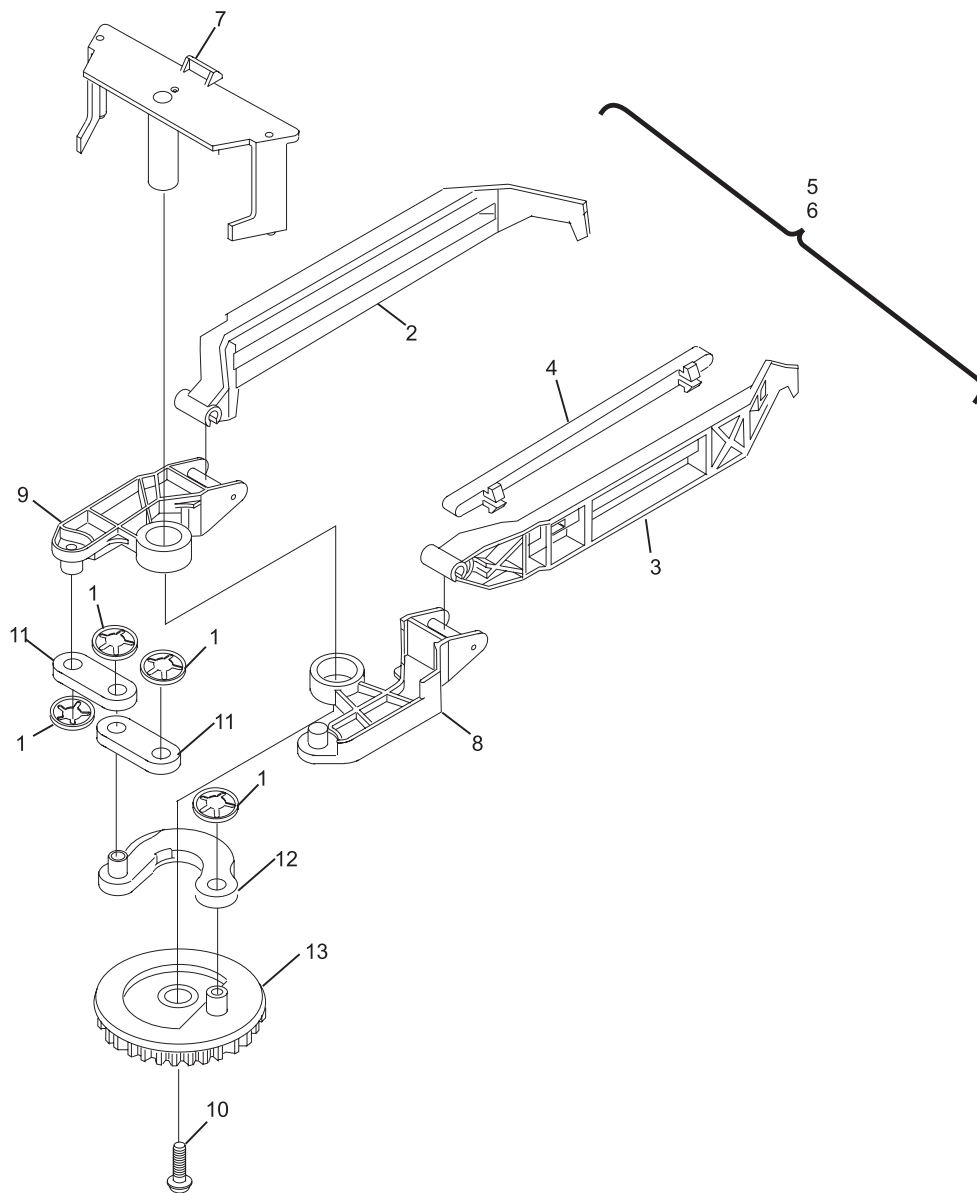


GS-10 Setting Table Switch Cam Assembly

Index

No.	Part No.	Description
1.	11-053478-001	Speed Nut (8 mm)
2.	47-054896-002	R.H. Tong
3.	47-055148-002	L.H. Tong
4.	47-051758-003	Damper
	47-051758-600	Urethane Damper - Oversized (10 Pack)
	47-051758-500	PCV Damper - Oversized (10 Pack)
5.	47-055117-009	Spotting Tong - Complete Assembly (Pin Stations 1, 4, 5, and 6)
6.	47-055118-009	Spotting Tong - Complete Assembly (Pin Stations 2, 3, 7, 8, 9, and 10)
7.	47-054902-002	Deck Plate
8.	47-054898-003	R.H. Spotting Tong Pivot
9.	47-054897-003	L.H. Spotting Tong Pivot
10.	11-054459-000	Self Tapping, Torx Screw (K60 x 20 mm)
11.	47-051762-004	Connecting Link
12.	47-054900-003	L.H. Lever (Tong 1, 4, 5, 6)
	47-054901-003	R.H. Lever (Tong 2, 3, 7, 8, 9, 10)
13.	47-054899-003	Gear

**GS Spotting Tong Assemblies
New Style**



GS Spotting Tong Assemblies New Style

Index			Index		
No.	Part No.	Description	No.	Part No.	Description
1.	47-052124-004	Counter Weight	35.	47-050266-004	Connector Link
2.	47-050640-004	Tension Spring	36.	99-060218-004	Solenoid Complete (red box)
3.	47-050665-003	Switch Finger			Tension Spring
4.	47-052440-004	R.H. Pin Gripper	37.	46-050302-004	Shaft
5.	47-052439-004	L.H. Pin Gripper	38.	47-050677-004	Speed Nut (8 mm)
6.	11-052681-001	Roll Pin (3 mm x 16 mm)	39.	11-053478-001	C.R. Pan Hd. Screw (5 mm x 60 mm)
7.	11-052677-001	Roll Pin (2 mm x 16 mm)	40.	11-054776-001	N.A. C.R. Pan Hd. Screw (5 mm x 60 mm) Pkg. of 10
8.	*47-050675-004	Ground Shaft		47-861037-001	R.O. C.R. Pan Hd. Screw (5 mm x 60 mm) Pkg. of 10
9.	11-051767-001	Lockwasher (4 mm) - red box only			Flat Washer (5.3 mm)
10.	11-053776-001	C.R. Pan Hd. Screw (4 mm x 8 mm) - red box only	41.	11-052039-001	Pin Detector Plate w/Rubber
11.	47-050668-004	Switch Finger Shaft	42.	N.A.	Rubber Material Only
12.	11-053476-001	Speed Nut (4 mm)	43.	N.A.	Locknut (4 mm)
13.	47-050308-004	Damper	44.	N.A.	Hex Hd. Cap Screw (4 mm x 10 mm)
14.	47-054689-009	Pin Holder w/Dampers	45.	N.A.	Flat Spring Support
	N.A.	Pin Holder w/o Dampers			Flat Spring
15.	11-051535-001	Socket Hd. Cap Screw (8 mm x 40 mm)	46.	N.A.	Plunger
16.	47-050676-004	Bracket	47.	N.A.	Solenoid Complete (silver, consolidated and nexgen electronics box)
17.	11-051770-001	Lockwasher (8 mm)	48.	99-060208-004	Cherry Switch (silver, consolidated and nexgen electronics box)
18.	11-051704-001	Hex Nut (8 mm)	49.	99-060242-004	Terminal (silver box & universal)
19.	47-052418-004	Cherry Switch (red box only)			Connector - 4 Pin (silver box & universal)
20.	11-051708-001	Hex Nut (2.5 mm)			Terminal (red box)
21.	11-052203-001	Slt'd. Machine Screw (2.5 mm x 20 mm)	50.	47-053635-004	Connector - 3 Pin (red box)
22.	11-051766-001	Lockwasher (2.5 mm)			Split Pin (2 mm)
23.	11-052041-001	Flat Washer (2.7 mm)			Flat Washer (8.4 mm)
24.	11-052051-001	Flat Washer (2.5 mm)	51.	11-680302-000	R.O. Flat Washer (8.4 mm)
25.	47-050639-004	Switch Spring			Pin Detector Plate Complete
26.	11-053475-001	Speed Nut (3 mm)	52.	11-680105-000	N.A. Snap Ring (8 mm)
27.	47-050674-004	Shaft			
28.	47-050670-004	Switch Finger			
29.	11-052205-001	Slotted Machine Screw (2.5 mm x 8 mm)	53.	11-697187-000	N.A.
			54.	N.A.	
30.	47-050671-004	N.A. Roller Bushing			
	47-050670-004	R.O. Switch Finger	55.	11-051809-001	
31.	11-051802-001	Split Pin (1 mm x 10 mm)	56.	11-052003-001	N.A.
32.	11-052025-001	Flat Washer (4.3 mm)		11-052003-001	R.O.
33.	46-050300-004	Catch	57.	**47-054298-001	
34.	47-050036-001	N.A. Pin Holder Complete (red box electrical system)	58.	11-053401-001	N.A.
	47-053850-009	Pin Holder Complete (universal electrical system)			

N.A. = No Longer Available
R.O. = Replacement Option

* Ground Shaft is reversed for L.H. or R.H. Pin Holder Assembly.

** Interchangeable new style

GS-10 and GS-92 Pin Holder Assembly

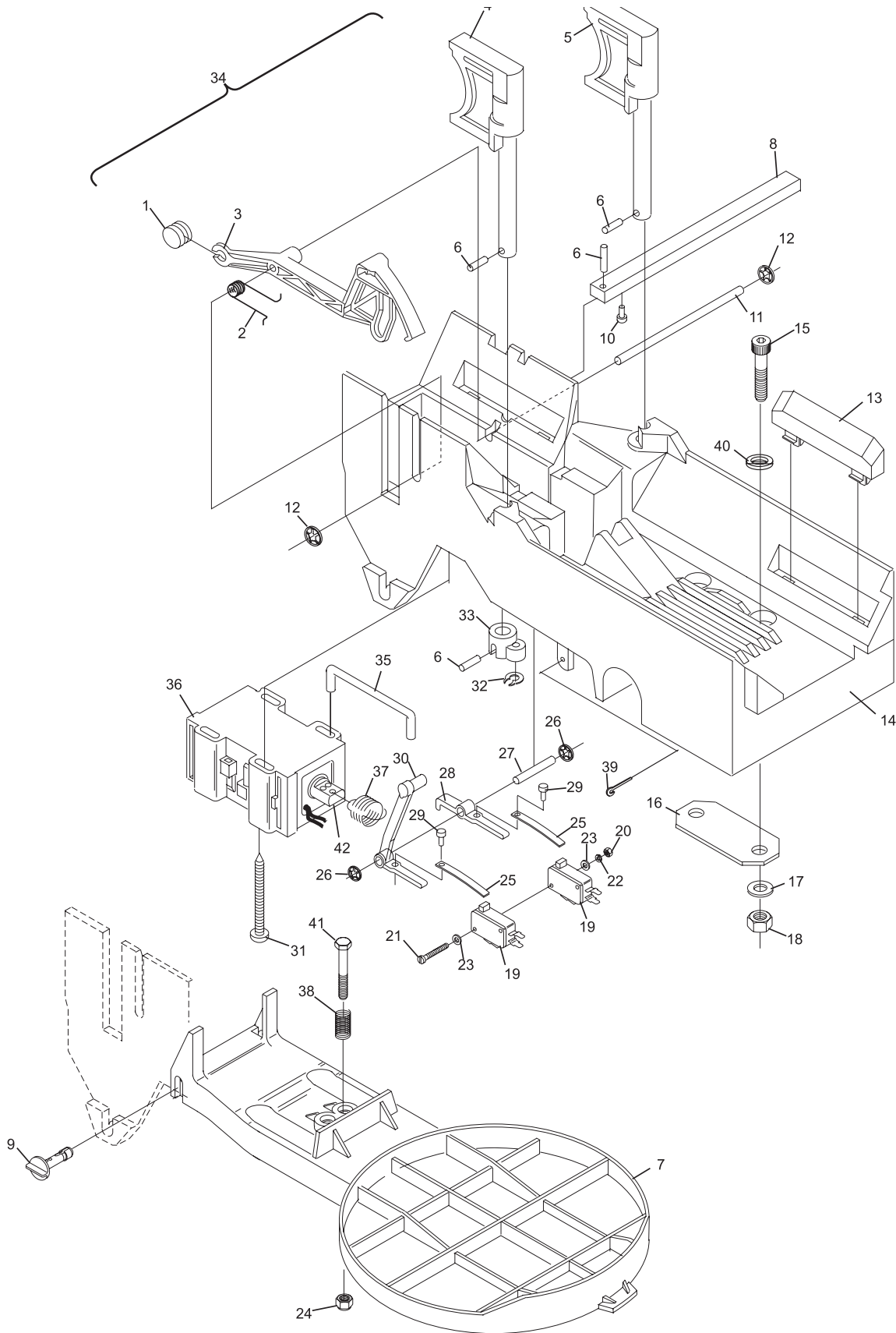
Index			
No.	Part No.		Description
1.	47-052124-004		Counter Weight
2.	47-050640-004		Tension Spring
3.	47-050665-003		Switch Finger
4.	47-052440-004		R.H. Pin Gripper
5.	47-052439-004		L.H. Pin Gripper
6.	11-052681-001		Roll Pin (3 mm x 16 mm)
7.	47-054298-001		Pin Detector Plate w/Pin
8.	*47-050675-004		Ground Shaft
9.	47-860005-000		Pivot Pin (Pkg. of 10)
10.	11-053776-001		C.R. Pan Hd. Screw (4 mm x 8 mm) - red box only
11.	47-050668-004		Switch Finger Shaft
12.	11-053476-001		Speed Nut (4 mm)
13.	47-050308-004		Damper
14.	47-054689-009		Pin Holder w/Dampers
	N.A.		Pin Holder w/o Dampers
15.	11-051535-001		Socket Hd. Cap Screw (8 mm x 40 mm)
16.	47-050676-004		Bracket
17.	11-051770-001		Lockwasher (8 mm)
18.	11-051704-001		Hex Nut (8 mm)
19.	47-053635-004		Micro Switch (single, cherry)
	47-054700-004		Micro Switch (double)
20.	11-051708-001		Hex Nut (2.5 mm)
21.	11-052220-001		Sltd. Machine Screw (2.5 mm x 30 mm)
22.	11-051766-001		Lockwasher (2.5 mm)
23.	11-052041-001		Flat Washer (2.7 mm)
24.	11-051743-001		Lock Nut (6 mm)
25.	47-050639-004		Switch Spring
26.	11-053475-001		Speed Nut (3 mm)
27.	47-054701-004		Shaft
28.	47-054703-004		Switch Finger
29.	11-055150-000		Slotted Machine Self Tap Screw Plastic (2.5 mm x 5 mm)
30.	47-054702-004		Switch Finger
31.	11-054776-001	N.A.	C.R. Pan Hd. Screw (5 mm x 60 mm)
	47-861037-001	R.O.	C.R. Pan Hd. Screw (5 mm x 60 mm) Pkg. of 10
32.	11-054500-000	N.A.	Grip Ring (4 mm)
	47-861036-000	R.O.	Grip Ring (4 mm) Pkg. of 10
33.	46-050300-004		Catch
34.	47-054699-009		Pin Holder Complete
35.	47-050266-004		Connector Link
36.	99-060242-004		Soleniod
37.	46-050302-004		Tension Spring
38.	47-054708-004		Pin Deflector Spring
39.	11-051808-001		Cotter Pin (1.6 mm x 40 mm)
40.	47-054691-000	N.A.	Flat Washer (8.4 mm)
	11-052003-001	R.O.	Flat Washer (8.4 mm)
41.	11-051088-001		Hex Hd. Cap Screw (6 mm x 35 mm)
42.	99-060208-004		Plunger

N.A. = No Longer Available

R.O. = Replacement Option

* Ground Shaft is reversed for left-hand or right-hand Pin Holder Assembly.

GS-96 - GS-98 Pin Holder Assembly



GS-96 - GS-98 Pin Holder Assembly

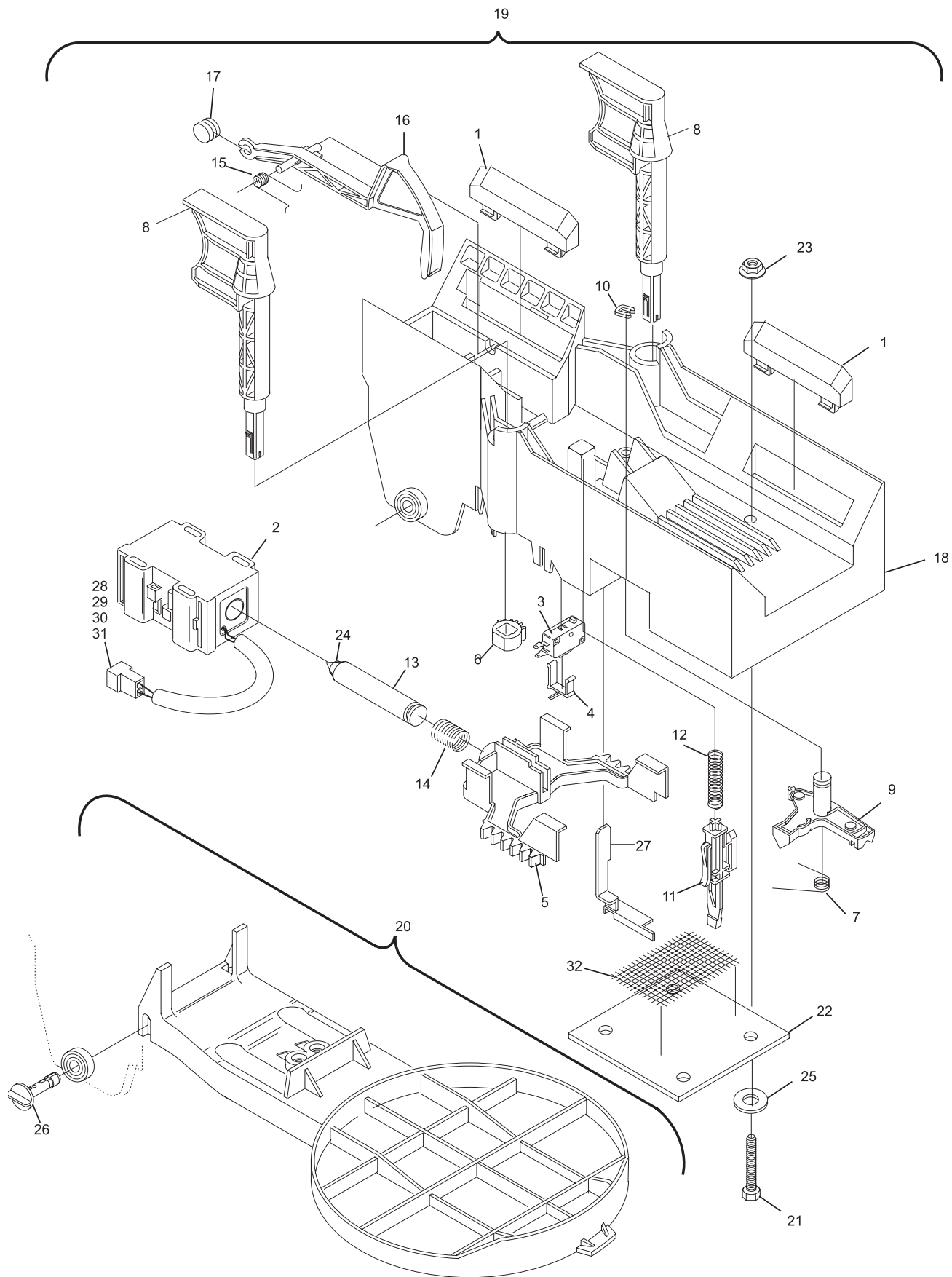
Index

No.	Part No.	Description
1.	47-050308-004	Damper
2.	99-060351-004	Solenoid - Only
3.	47-055323-004	Micro Switch
4.	47-055001-004	Clip (Micro Switch)
5.	47-054983-002	Drive
6.	47-054984-004	Gear
7.	47-055006-004	Torsion Spring
8.	47-054981-002	Pin Gripper
9.	47-054985-001	Switch Lever
10.	47-054986-004	Grip Ring
11.	47-054988-003	Switch Button
12.	47-055008-004	Tension Spring
13.	47-055004-004	Solenoid Plunger
14.	47-054987-004	Solenoid Spring
15.	47-055005-004	Tension Spring
16.	47-054982-002	Switch Finger
17.	47-052124-004	Counter Weight
18.	47-054980-001	N.A. Pin Holder Housing - Only
	47-054980-201	R.O. Pin Holder w/Damper
19.	47-055314-009	Pin Holder Assembly Complete
20.	47-054298-001	Pin Detector Plate w/Pin
21.	11-051014-001	Hex Hd. Cap Screw (6 mm x 45 mm)
22.	47-055003-004	Mount PLate
23.	11-055500-001	Hex Nut (6 mm)
24.	99-090349-004	O-Ring for Plunger
25.	11-055961-001	N.A. Washer
	47-861040-001	R.O. Washer (6.1 mm) Pkg. of 10
26.	47-860005-000	Pivot Pin (Pkg. of 10)
27.	47-055328-003	Connector Clip
28.	11-680206-000	Connector - Male (4 pos)
29.	11-680302-000	Terminal - Male
30.	11-680301-000	Terminal - Female
31.	11-680118-000	Connector - Switch (4 pos)
32.	47-055785-004	Mount Plate - Steel

N.A. = No Longer Available

R.O. = Replacement Option

GS-X/CPO Pin Holder Assembly



GS-X/CPO Pin Holder Assembly

Index

No.	Part No.	Description
1.	11-051706-001	Hex Nut (12 mm)
2.	11-051772-001	Lockwasher (12 mm)
3.	11-052024-001	N.A. Flat Washer (13 mm)
	47-861010-001	R.O. Flat Washer (13 mm) Pkg. of 20
4.	47-071975-004	Threaded Connector
5.	11-600500-000	Master Link (3 pieces)
6.	11-601007-000	Roller Chain (64 Links)
7.	47-050926-004	Cam
8.	11-051743-001	Locknut (6 mm)
9.	11-051509-001	Socket Hd. Cap Screw (6 mm x 12 mm)
10.	47-051490-004	Cam Holder
11.	47-052347-003	Upper Deck Rack Tube
12.	11-052451-001	Sltd. Flat Ctsk. Hd. Machine Screw (6 mm x 25 mm)
13.	11-052679-001	Rolled Pin (6 mm x 22 mm)
14.	47-050365-003	Toothed Rack (6 mm x 25 mm)
15.	11-051518-001	Socket Hd. Cap Screw (10 mm x 40 mm)
16.	11-051771-001	Lockwasher (10 mm)
17.	11-052018-001	Flat Washer (10.5 mm)
18.	47-071162-004	Spacer Bushing
19.	47-071148-004	Roller
20.	47-071170-003	Roller Support (small)
21.	11-051745-001	Locknut (10 mm)
22.	47-071171-003	Roller Support (large)
23.	47-070386-004	Counter Weight
24.	11-051517-001	Socket Hd. Cap Screw (10 mm x 25 mm)
25.	11-051707-001	Hex Nut (16 mm)
	11-051748-001	Locknut (16 mm)
26.	11-051774-001	Lockwasher (16 mm)
27.	47-071871-003	T-Stop
28.	47-070401-004	Threaded Cap
29.	11-051703-001	Hex Nut (10 mm)
30.	47-071161-003	Roller Support Complete
31.	47-052346-003	Deck Rack Tube (lower)
32.	11-051770-001	Lockwasher (8 mm)
33.	11-051066-001	Hex Hd. Cap Screw (8 mm x 18 mm)
34.	11-052684-001	Rolled Pin (5 mm x 40 mm)
35.	47-052458-009	N.A. R.H. Assembly
36.	47-052459-009	N.A. L.H. Assembly

N.A. = No Longer Available

R.O. = replacement Option

Table Rack and Roller Assembly

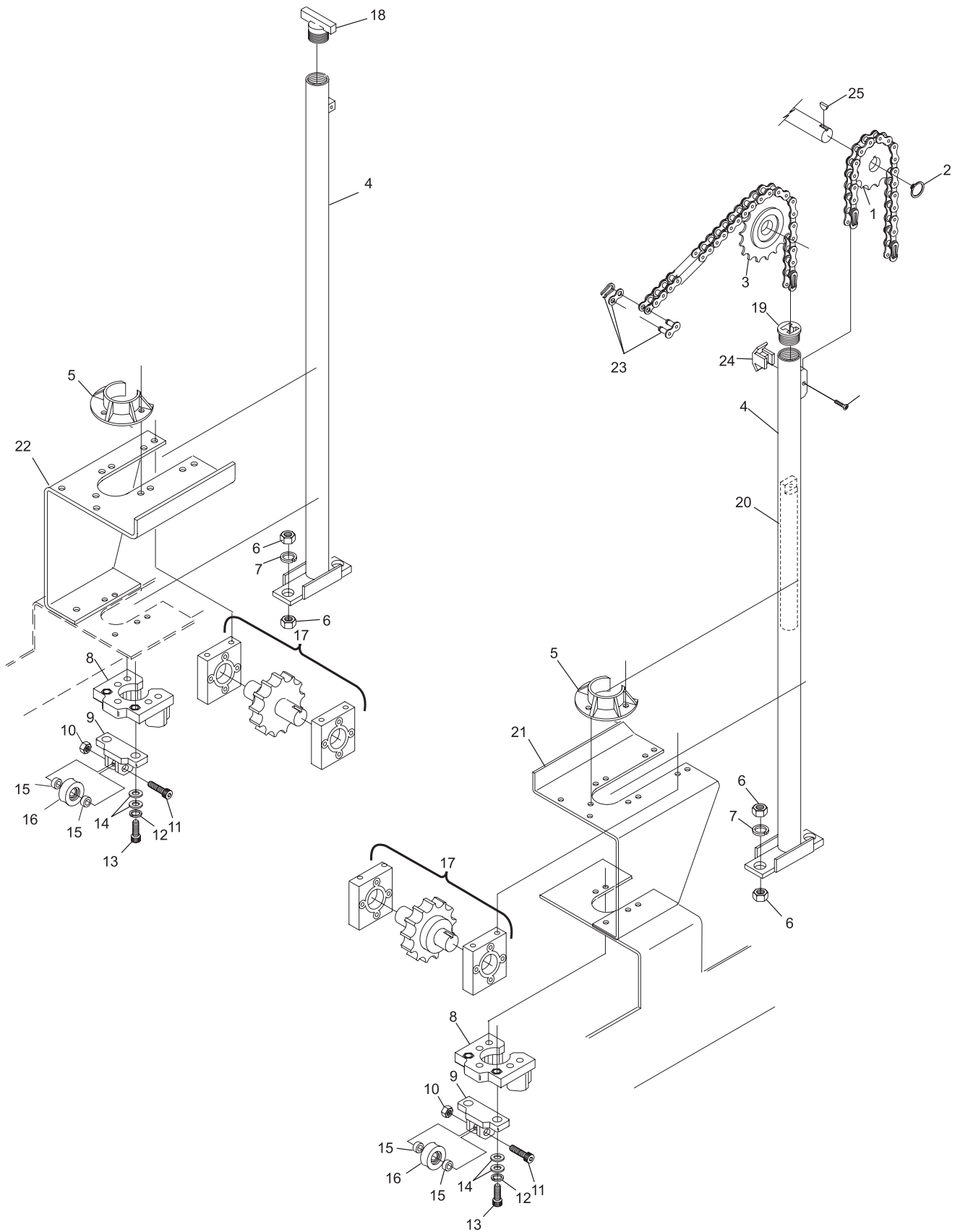
Index

No.	Part No.		Description
1.	47-075474-004		Chain Gear
2.	11-051856-001		Retaining Ring (25 mm)
3.	47-011053-004		Sprocket
4.	47-055461-003		Tube
5.	47-085349-003		Tube Guide
6.	11-051707-001		Hex Nut (16 mm)
7.	11-055255-001		Ribbed Lockwasher (16 mm)
8.	47-071171-003		Roller Support (large)
9.	47-071170-003		Roller Support (small)
10.	11-051745-000	N.A.	Locknut (10 mm)
11.	11-051074-001	N.A.	Hex Head Cap Screw (10 mm x 45 mm)
12.	11-051771-001		Lockwasher (10 mm)
13.	11-051532-001		Socket Head Cap Screw (10 mm x 30 mm)
14.	11-052018-001		Flat Washer (10.5 mm)
15.	47-071162-004		Spacer Bushing
16.	47-071148-004		Roller
17.	47-075553-003	S.O.	Lower Chain Gear w/Bearing Block - Complete
18.	47-071871-003		T-Stop
19.	47-070401-004		Threaded Cap
20.	47-070386-004		Counter Weight
21.	47-085436-003		R.H. Support Bracket
22.	47-085430-003		L.H. Support Bracket
23.	11-600500-000		Master Link (3-pieces)
24.	47-055350-004		Out of Range Cam
25.	11-053503-000		Key (8 mm x 7 mm x 28 mm)

N.A. = No Longer Available

S.O. = Special Order

**Table Rack and Roller Assembly
(Machine Series 443 and Above)**



**Table Rack and Roller Assembly
(Machine Series 443 and Above)**

Intentionally Blank Page