

Section K

**SILVER BOX/UNIVERSAL
VOLTAGE SILVER BOX
ELECTRICAL**

Index

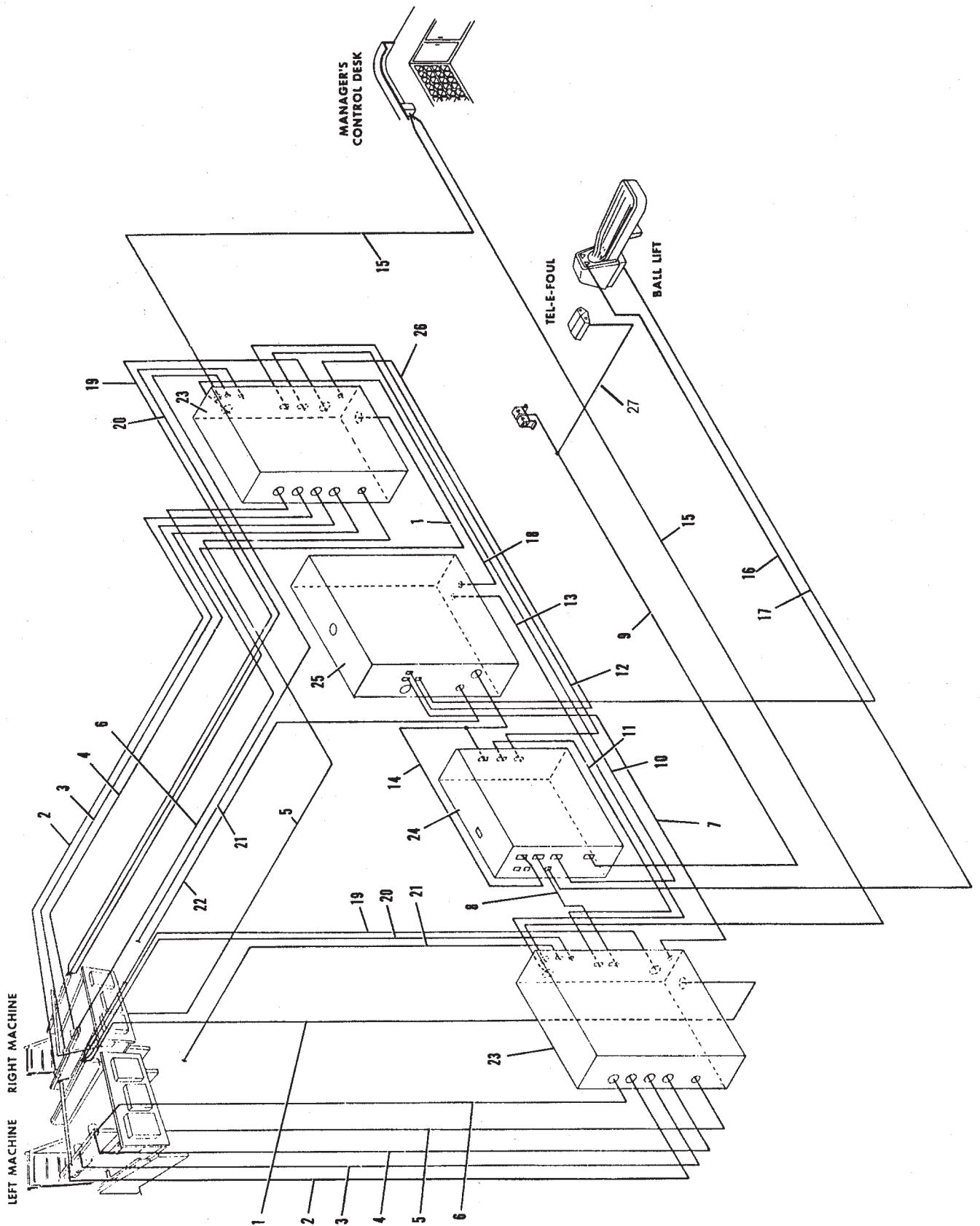
No.	Part No.		Description
1.	68-100051-000		Setting Table Cable Assembly
2.	68-100180-000		Setting Table Motor Cable Assembly
3.	68-100181-000	N.A.	Sweep Motor Cable Assembly
4.	68-100182-000	N.A.	Elevator Motor Cable Assembly
5.	*N.A.		Pin Light Cable Assembly
6.	68-100053-000	N.A.	L.H. Function Solenoid & Switches Cable Assembly
7.	68-100160-000	N.A.	High Voltage Box To Common Box Cable Assembly (L.H. machine)
8.	68-100044-000	N.A.	Switch Data Cable Assembly (Lane No. 1)
9.	47-192952-000		Foul & Optical Trigger Cable Assembly
10.	68-100158-000	N.A.	Switch Data Cable Assembly (Lane No. 2)
11.	68-100046-000		Solenoid Data Cable Assembly (Lane No. 1)
12.	68-100157-000	N.A.	Solenoid Data Cable Assembly (Lane No. 2)
13.	**N.A.		High Voltage Power Supply Cable Assembly (box 1)
14.	N.A.		Gamesetter Power & Peripheral Control Cable Assembly
15.	68-100159-000	N.A.	Manager's Remote "On" Cable Assembly
16.	68-100050-000	N.A.	Player Control Cable Assembly
17.	68-100061-000	N.A.	Ball Lift Control Cable Assembly
18.	**N.A.		High Voltage Power Supply Cable Switch Assembly (box 2)
19.	68-100385-000	N.A.	R.H. Trouble Light & Ball Door Cable Assembly
20.	68-100176-000	N.A.	Rear Control Box Cable Assembly
21.	53-200871-000		Masking Unit Cable Assembly
22.	68-100178-000	N.A.	Ball Accelerator Motor Cable Assembly
23.	47-862706-000	N.A.	High Voltage Box Complete
24.	47-862708-402	N.A.	Gamesetter Box Assembly
25.	47-862707-000	N.A.	Common Box Complete
26.	68-100160-010		High Voltage Box to Common Box Cable Assembly (right-hand machine)
27.	47-862717-000		Foul to Optical Trigger Cable Assembly

N.A. = No Longer Available

* Part of Pin Light Assembly - shown on page 3H.

** Part of Common Box Complete, Index No. 25.

High Voltage Box, Common Box, Gamesetter Box and Cable Assemblies - Silver Box



Smart Shark, High Voltage Box, Common Box,
Gamesetter Box and Cable Assemblies - Universal Voltage Silver Box

Index

No.	Part No.	Description
1.	68-100379-000	Table Motor Cable Assembly
2.	68-100380-000	Sweep Motor Cable Assembly
3.	68-100381-000	Elevator Motor Cable Assembly
4.	47-182500-000	N.A. L.H. Side Function Solenoids & Switches Cable Assembly
5.	*N.A.	Pin Light Cable Assembly
6.	47-243069-004	Setting Table Cable Assembly
7.	53-200871-000	Masking Unit Cable Assembly
8.	68-100176-000	N.A. Rear Control Box Cable Assembly
9.	68-100385-000	R.H. Trouble Light & Ball Door Switch Assembly
10.	68-100192-000	N.A. Ball Accelerator Motor Cable Assembly
11.	68-100193-000	Gamesetter Power Cable Assembly
12.	68-100199-000	N.A. R.H. Ball Rack Reset Cable Assembly
13.	**N.A.	Voltage Power Supply (box 1) Cable Assembly
14.	68-100382-000	N.A. L.H. Common Box Remote "ON" Cable Assembly
15.	***68-100044-000	N.A. Switch Data Cable Assembly (Lane No. 1)
16.	68-100046-000	Solenoid Data Cable Assembly (Lane No. 1)
17.	68-100158-000	N.A. Switch Data Cable Assembly (Lane No. 2)
18.	68-100157-000	N.A. Solenoid Data Cable Assembly (Lane No. 2)
19.	**N.A.	High Voltage Power Supply Cable Assembly (box 2)
20.	68-100383-000	R.H. Common Box Remote "ON" R.H. Cable Assembly
21.	47-192952-000	Foul & Optical Trigger Cable Assembly (Silver Box and Universal Voltage Silver Box)
22.	N.A.***	Manager's Remote "On" Cable Assembly
23.	N.A.	Ball Rack Reset Cable Assembly
24.	68-100050-000	N.A. Player Control Cable Assembly
25.	68-100061-000	N.A. Ball Lift Control Cable Assembly
26.	11-680027-000	N.A. Twist Lock Receptacle
27.	47-862735-000	Power Adaptor Cable Assembly
28.	47-862712-000	N.A. High Voltage Box Assembly Complete
	47-162839-000	High Voltage PCB Assembly (Smart Shark)
29.	47-862711-401	N.A. Gamesetter Box Assembly w/Smart Shark Complete
	47-862801-000	N.A. Gamesetter I/O PCB Assembly
	N.A.	Gamesetter CPU (Smart Shark) - available through Brunswick Rapid Exchange
30.	47-862745-000	N.A. Common Box Assembly Complete
31.	****47-862743-000	N.A. External Cable Package-GS-92 Pinsetters (includes index numbers 11,15,16,18, and 19, also includes 1 each of Ball Lift Adapter Cable 68-100272-000)
32.	68-100273-000	Pinsetter to High Voltage Ground Cable Assembly
33.	11-612030-000	N.A. Terminal
34.	11-612029-000	N.A. Terminal
35.	N.A.	High Voltage to Gamesetter to Common Box Cable Assembly
36.	47-862717-000	Foul to Optical Trigger Cable Assembly

N.A. = No Longer Available

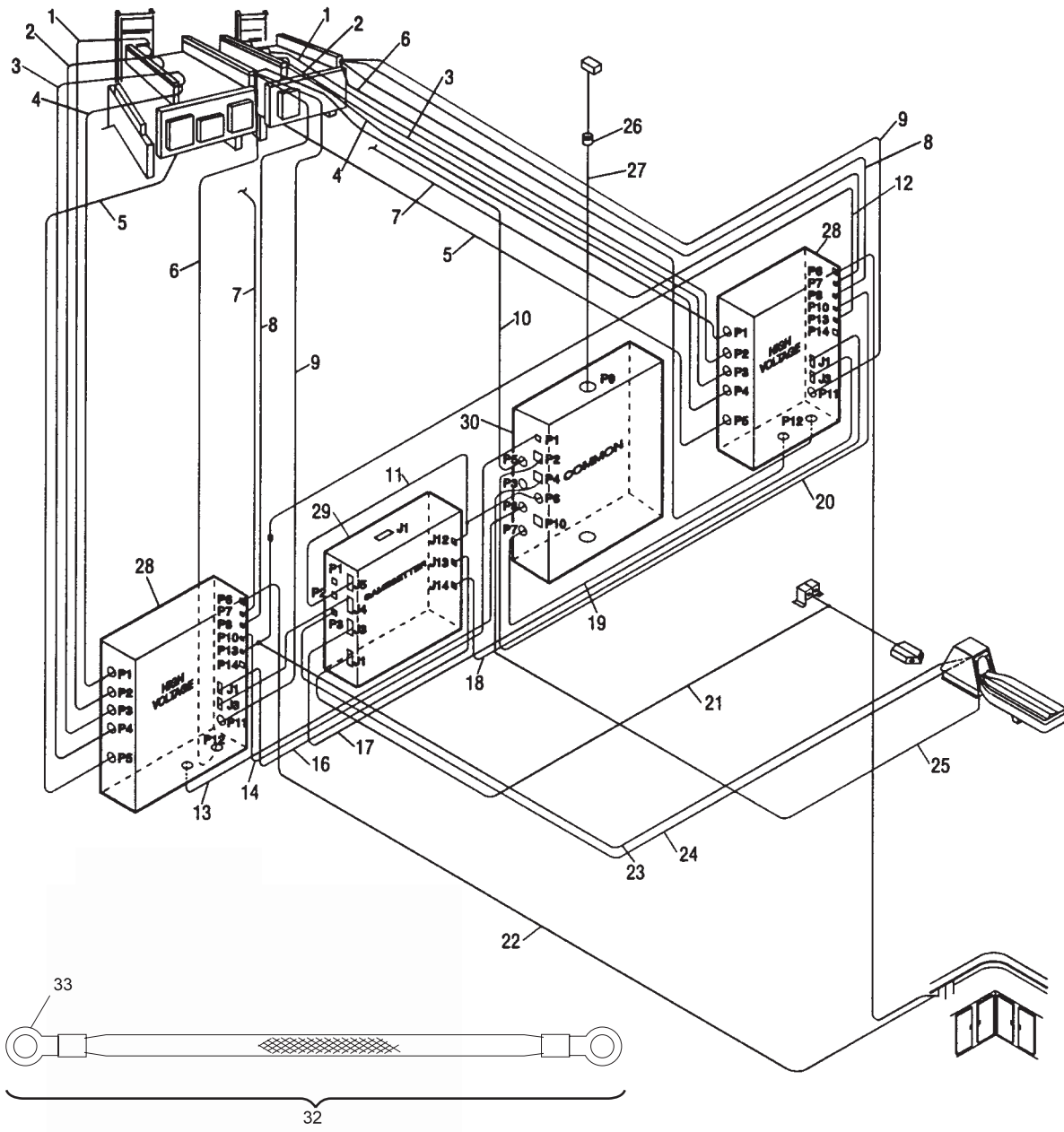
* Part of Pin Light Assembly - shown on page 3H

** Part of Common Box Assembly Complete, index no. 30

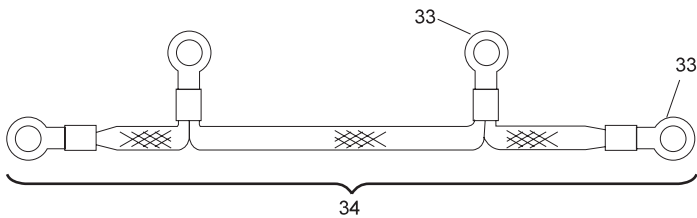
*** Remove EPROM and Replace with Existing Software If Not Smart Shark

**** Not Illustrated

**Smart Shark, High Voltage Box, Common Box,
Gamesetter Box and Cable Assemblies - Universal Voltage Silver Box**



PINSETTER TO HIGH VOLTAGE GROUND CABLE ASSEMBLY



HIGH VOLTAGE TO GAMESETTER TO COMMON GROUND CABLE ASSEMBLY

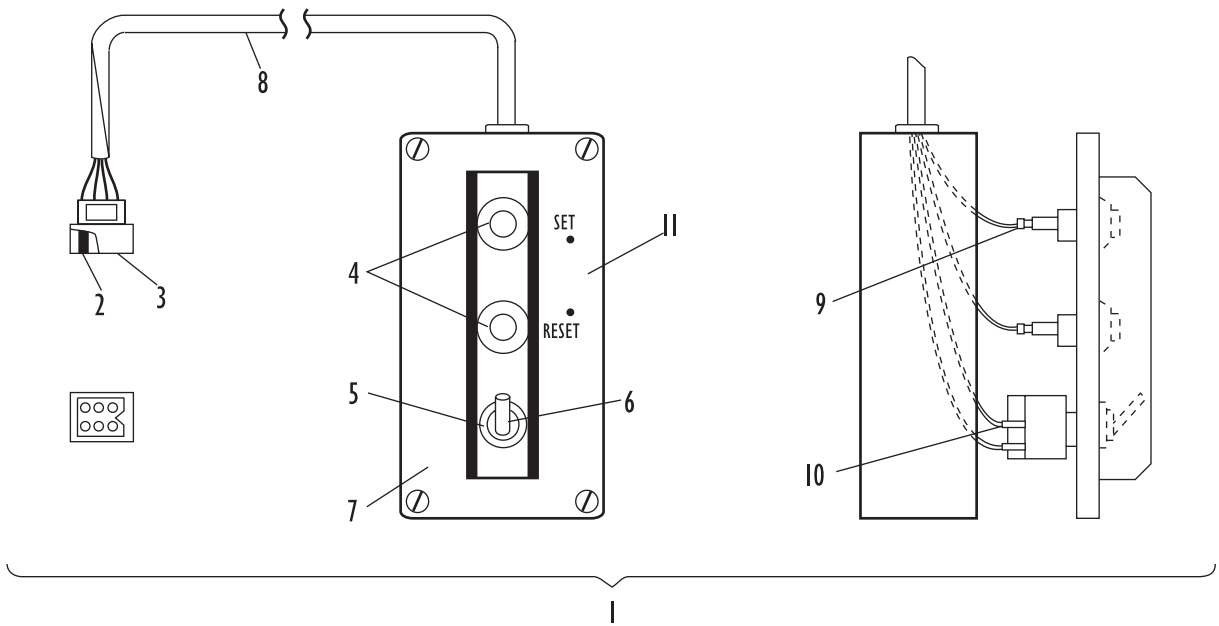
Smart Shark, High Voltage Box, Common Box, Gamesetter Box and Cable Assemblies - Universal Voltage Silver Box

Index

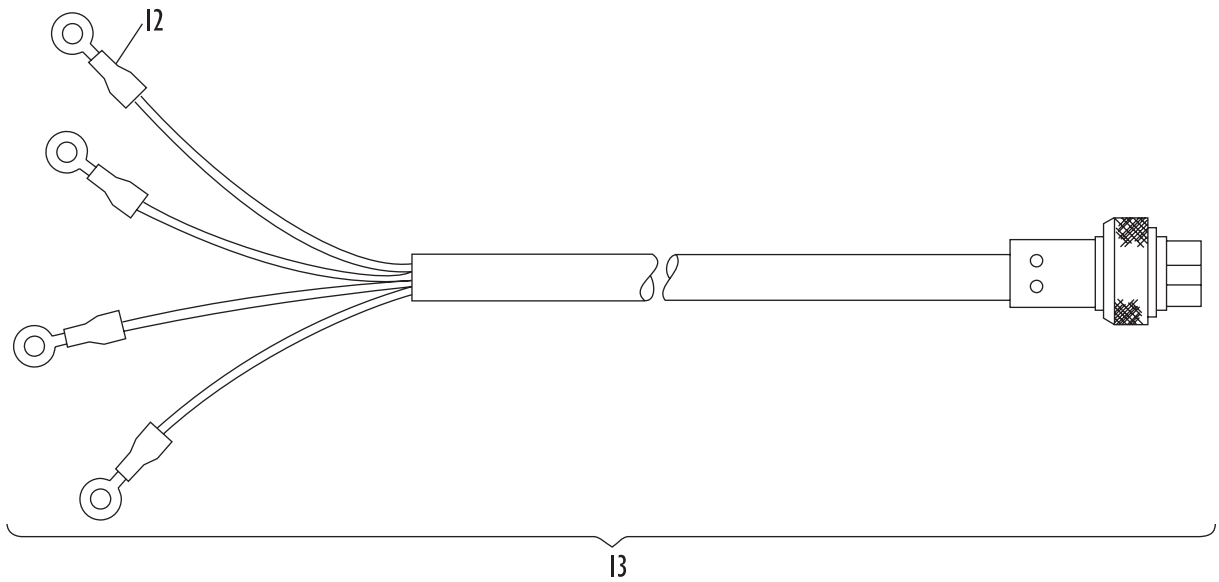
No.	Part No.		Description
1.	47-243071-000		Rear Control Box w/Cable Assembly
2.	11-680302-000		Terminal
3.	11-680107-000	N.A.	Connector (6 circuit)
4.	11-615013-000		Push Button Switch
5.	N.A.		Grommet
6.	11-615515-000		Toggle Switch
7.	47-243072-004	N.A.	Rear Control Box
8.	68-100276-000	N.A.	Rear Control Box Cable Assembly
9.	N.A.		Terminal
10.	N.A.		Terminal
11.	47-243070-004	N.A.	Rear Control Plate
12.	11-612012-000	N.A.	Terminal
13.	68-100178-000	N.A.	Plug Assembly w/Pin Contacts for Ball Accelerator Motor (172")
	68-100180-000		Plug Assembly w/Pin Contacts for Table Motor (106")
	68-100181-000	N.A.	Plug Assembly w/Pin Contacts for Sweep Motor (87")
	68-100182-000	N.A.	Plug Assembly w/Pin Contacts for Elevator Motor (64")

N.A. = No Longer Available

**Rear Control Box and Plug Assembly
with Pin Contacts Cable Assemblies - Silver Box**



Rear Control Box Cable Assembly



Plug Assembly with Pin Contacts

**Rear Control Box and Plug Assembly
with Pin Contacts Cable Assemblies - Silver Box**

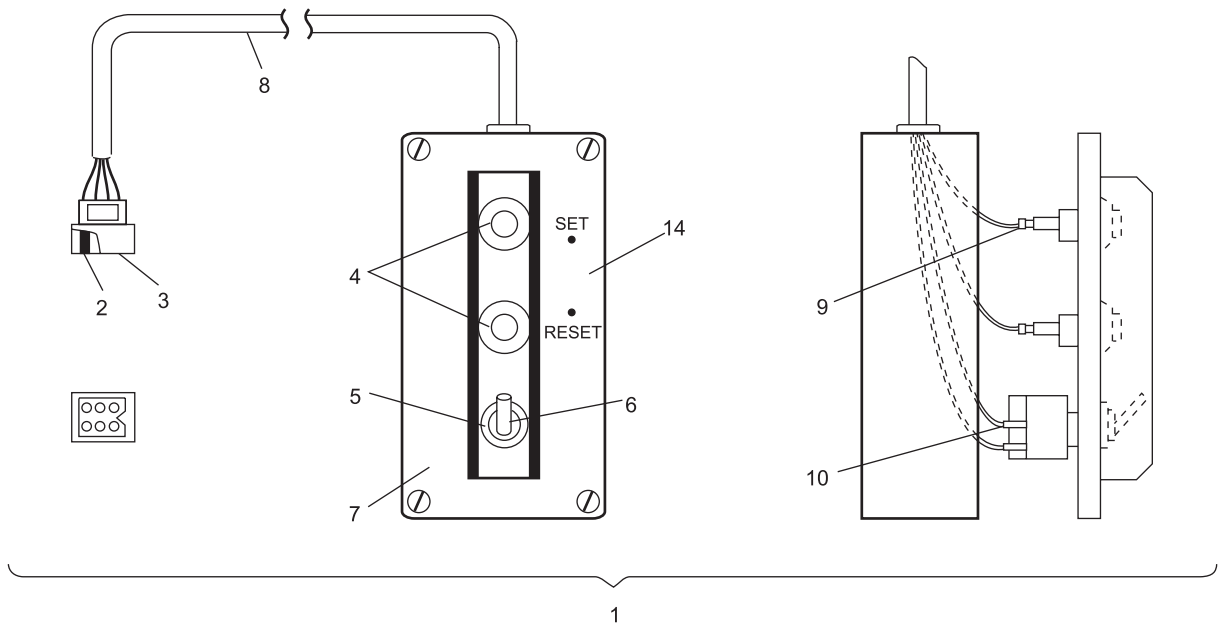
Index

No.	Part No.		Description
1.	47-243071-003		Rear Control Box w/Cable Assembly
2.	11-680107-000	N.A.	Connector (6 Circuit)
3.	11-680302-000		Terminal
4.	11-615013-000		Push Button Switch
5.	N.A.		Grommet
6.	11-615515-000		Toggle Switch
7.	47-243072-004	N.A.	Rear Control Box
	47-243071-000	R.O.	Rear Control Box
8.	68-100276-000	N.A.	Rear Control Box Cable Assembly
9.	N.A.		Terminal
10.	N.A.		Connector
11.	11-697328-000		Connector
12.	N/A		Terminal
13.	47-192952-000		Foul & Optical Trigger Cable Assembly
14.	47-243070-004		Rear Control Plate
15.	11-680201-000		Connector
16.	11-680301-000		Terminal

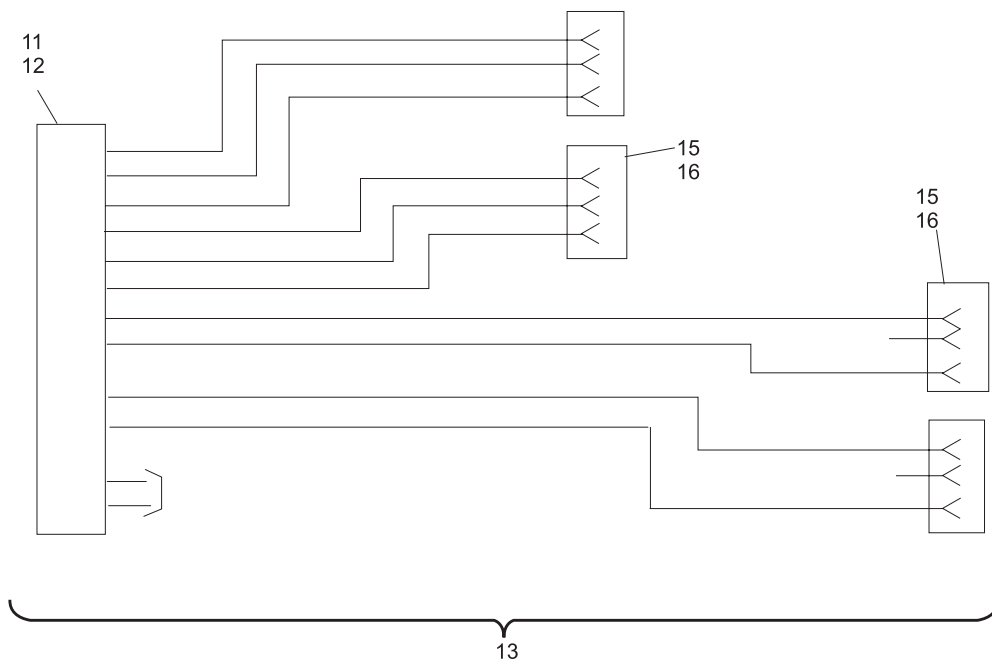
N.A. = No Longer Available

R.O. = Replacement Option

**Rear Control Box
and Foul & Optical Trigger Cable Assemblies - Universal Voltage Silver Box**



Rear Control Box Cable Assembly



FOUL AND OPTICAL TRIGGER CABLE ASSEMBLY

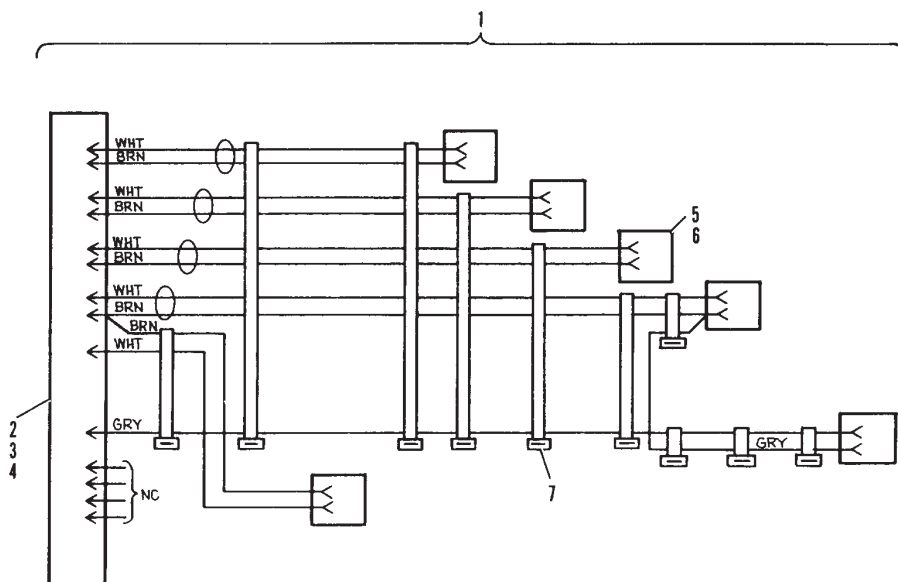
Rear Control Box and Foul & Optical Trigger Cable Assemblies - Universal Voltage Silver Box

Index

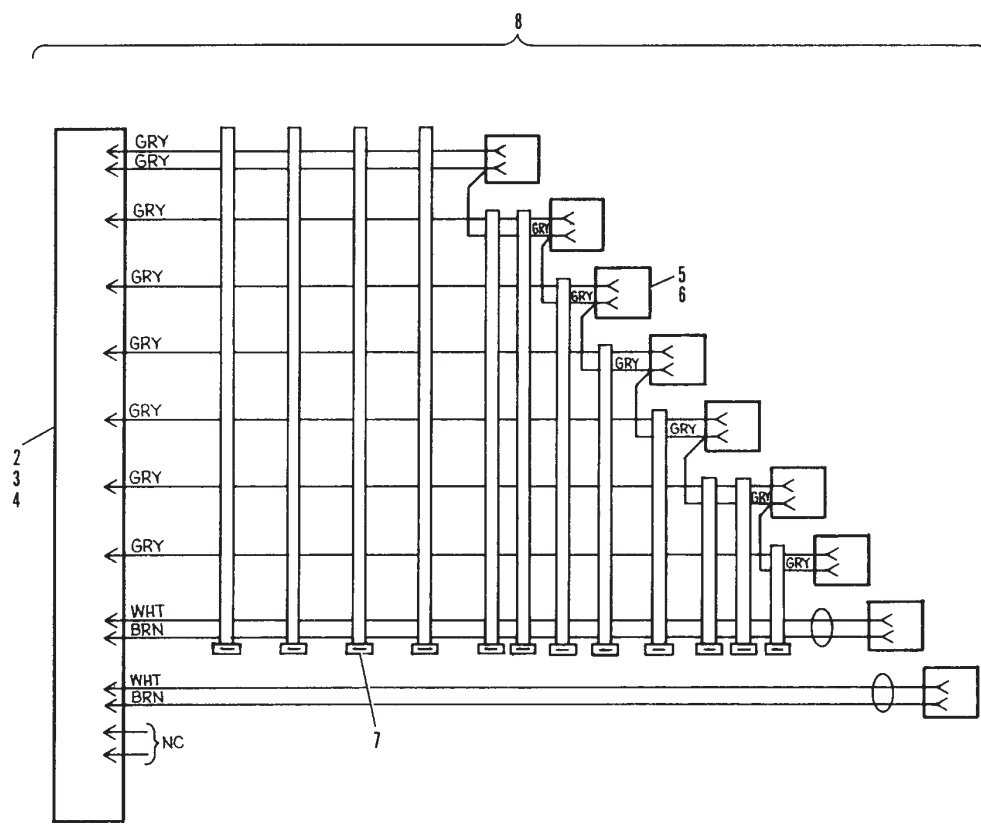
No.	Part No.		Description
1.	68-100384-000		L.H. Side Function Solenoid & Switches Cable Assembly - Universal
	68-100053-000	N.A.	L.H. Side Function Solenoid & Switches Cable Assembly - Silver Box
2.	11-615080-000	N.A.	Connector
3.	N.A.		Cable Clamp
4.	11-615101-000		Terminal
5.	11-680216-000		Connector
6.	11-680301-000		Terminal
7.	11-603108-000	N.A.	Cable Tie (3-5/8")
8.	68-100385-000	N.A.	R.H. Side Switches, Trouble Light & Ball Door Cable Assembly

N.A. = No Longer Available

**L.H.Side Function Solenoids & Switches and Side Switches,
R.H. Trouble Light & Ball Door Cable Assemblies - Universal Voltage Silver Box**



LEFT SIDE FUNCTION SOLENOIDS & SWITCHES CABLE ASSEMBLY



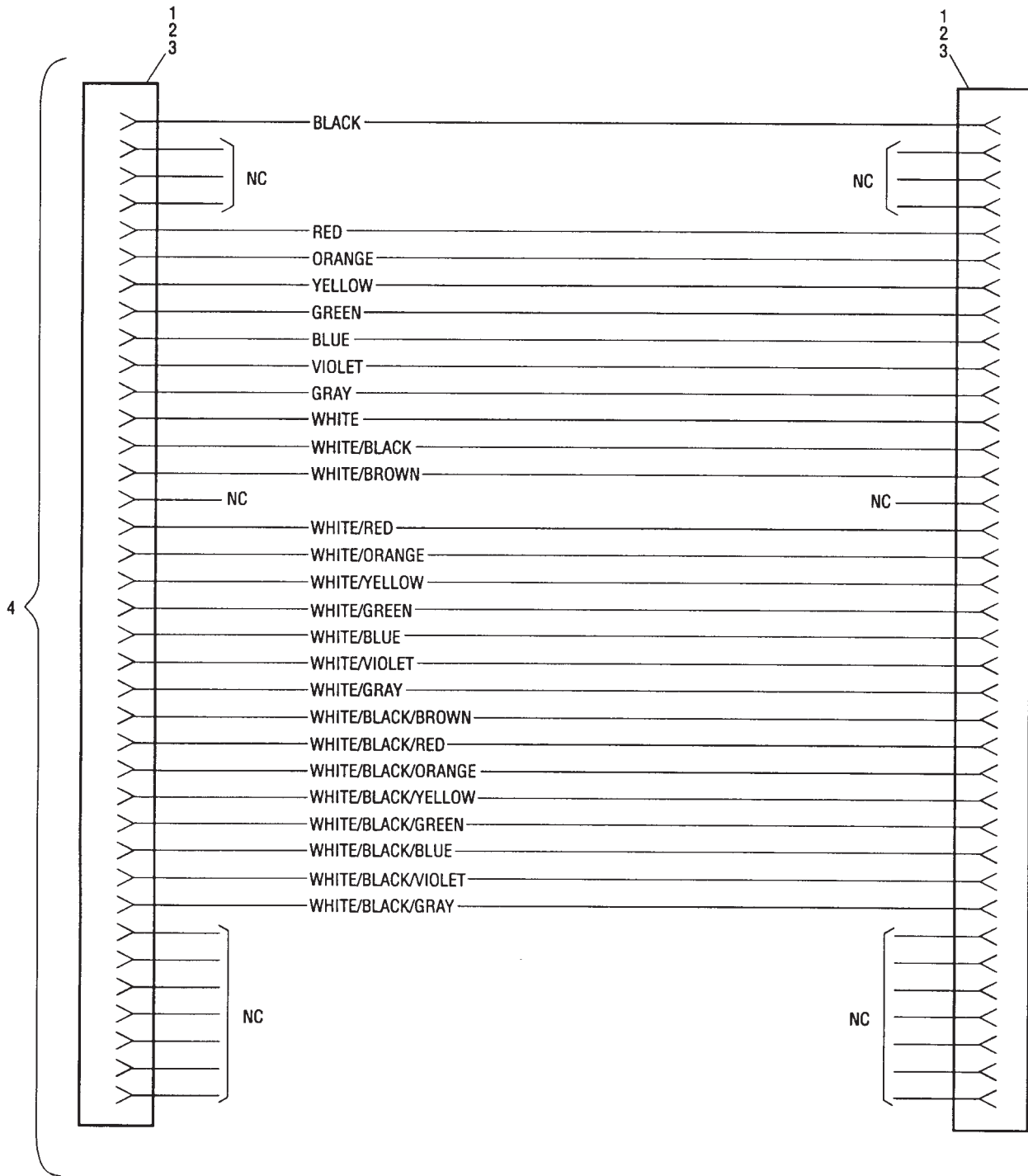
RIGHT SIDE SWITCHES, TROUBLE LIGHT & BALL DOOR CABLE ASSEMBLY

**L.H.Side Function Solenoids & Switches and Side Switches,
R.H. Trouble Light & Ball Door Cable Assemblies - Universal Voltage Silver Box**

Index

No.	Part No.		Description
1.	11-615075-000	N.A.	Connector
2.	11-615127-000		Cable Clamp
3.	11-615102-000	N.A.	Contact
4.	68-100051-000		Setting Table Cable Assembly Complete

N.A. = No Longer Available



SETTING TABLE CABLE ASSEMBLY

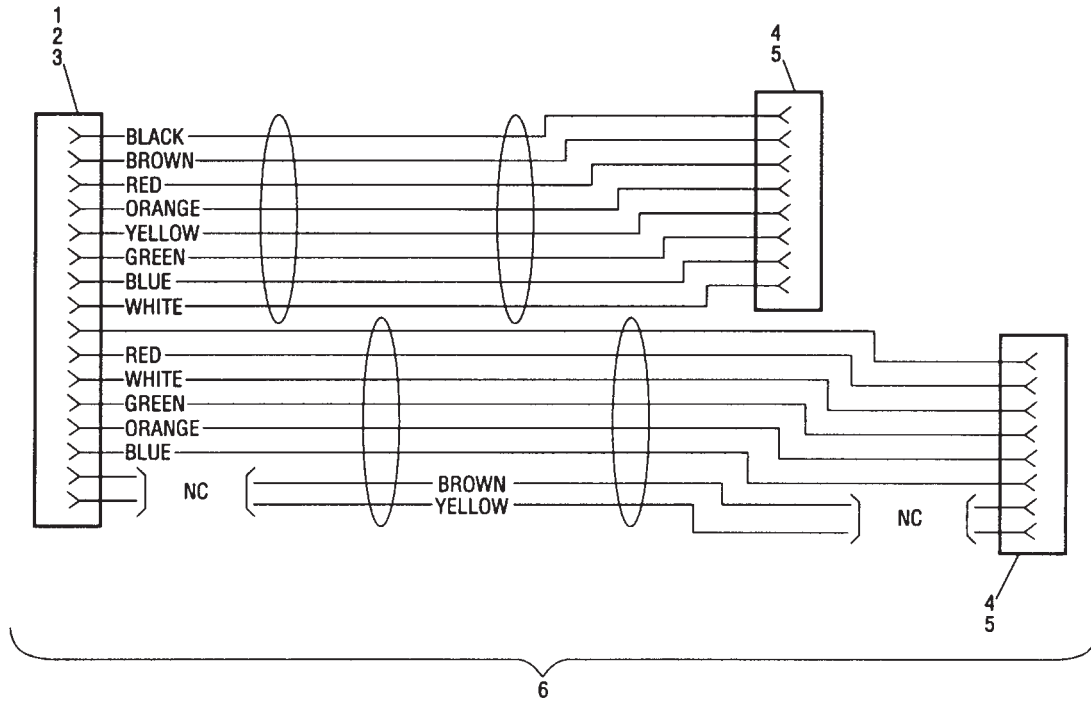
Setting Table Cable Assembly - Silver Box

Index

No.	Part No.		Description
1.	N.A.		Connector
2.	11-615127-000		Cable Clamp
3.	11-615102-000	N.A.	Contact
4.	11-697208-000	N.A.	Connector
5.	11-680322-000		Terminal
6.	N.A.		Gamesetter Power & Peripheral Control Cable Assembly

N.A. = No Longer Available

**Gamesetter Power & Peripheral Control
Cable Assembly - Silver Box**



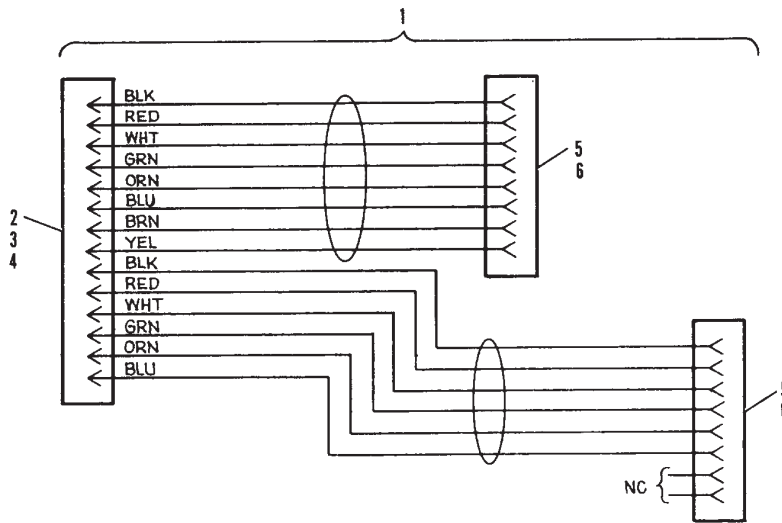
GAMESETTER POWER & PERIPHERAL CONTROL CABLE ASSEMBLY

**Gamesetter Power & Peripheral Control
Cable Assembly - Silver Box**

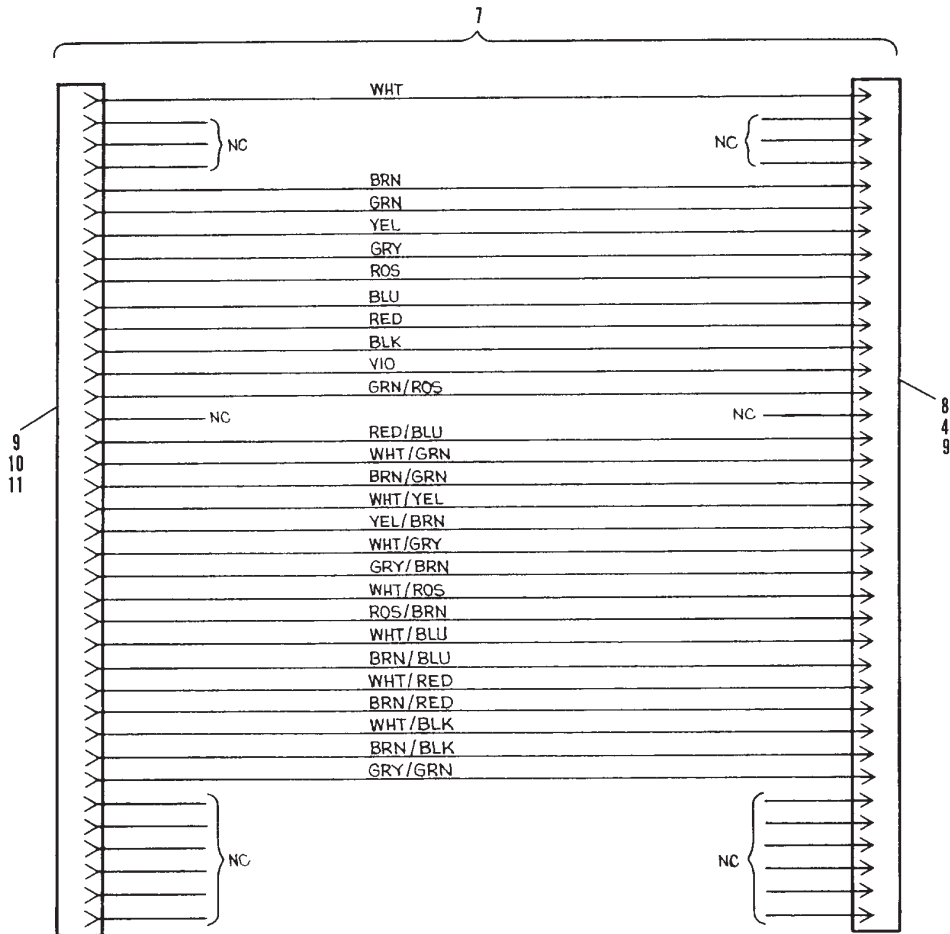
Index No.	Part No.		Description
1.	68-100193-000		Gamesetter Power & Peripheral Control Cable Assembly
2.	11-615080-000	N.A.	Connector
3.	N.A.		Cable Clamp
4.	11-615101-000		Terminal
5.	11-697208-000	N.A.	Connector
6.	11-680322-000		ocket Terminal
7.	47-243069-004		Setting Table Cable Assembly
8.	11-703529-000	N.A.	Connector
9.	11-615127-000		Cable Clamp
10.	11-615075-000	N.A.	Connector
11.	11-615102-000		Terminal

N.A. = No Longer Available

**Gamesetter Power & Peripheral Control
and Setting Table Cable Assemblies - Universal Voltage Silver Box**



GAMESSETTER POWER & PERIPHERAL CONTROL CABLE ASSEMBLY



SETTING TABLE CABLE ASSEMBLY

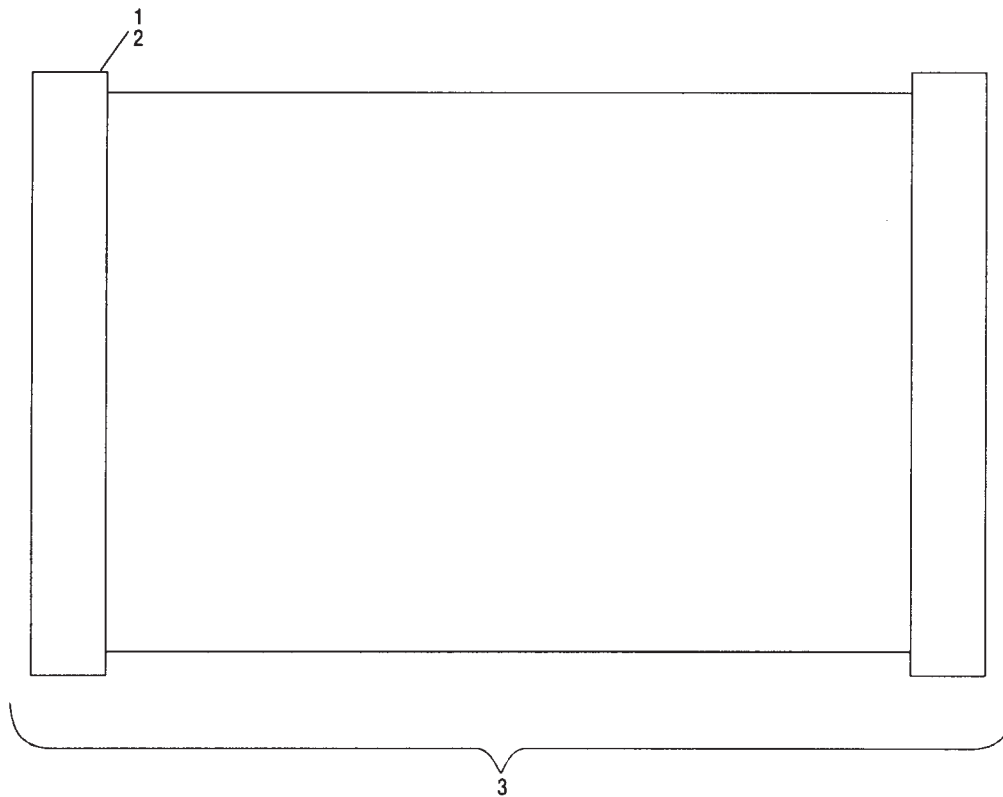
**Gamesetter Power & Peripheral Control
and Setting Table Cable Assemblies - Universal Voltage Silver Box**

Index

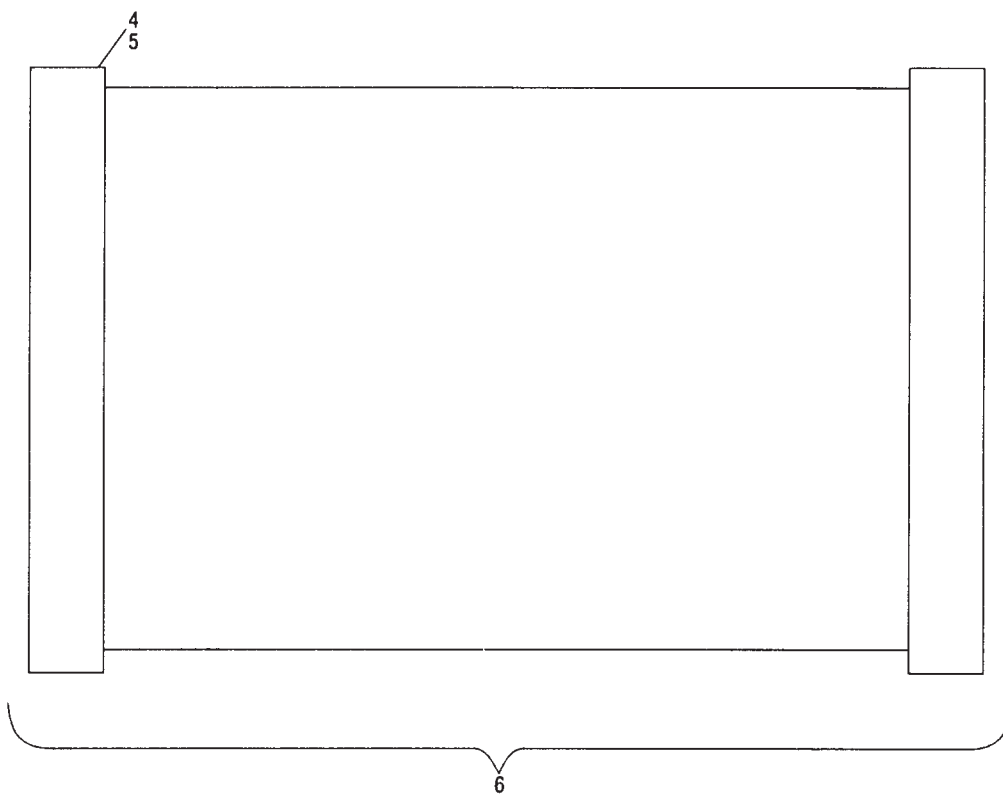
No.	Part No.		Description
1.	11-697327-000	N.A.	Connector
2.	11-697321-000	N.A.	Connector
3.	68-100044-000	N.A.	Switch Data Cable Assembly (lane 1)
	68-100158-000	N.A.	Switch Data Cable Assembly (lane 2)
4.	N.A.		Connector
5.	N.A.		Connector
6.	68-100046-000		Solenoid Data Cable Assembly (lane 1)
	68-100157-000	N.A.	Solenoid Data Cable Assembly (lane 2)

N.A. = Not Available

**Switch Data and Solenoid Data Cable Assemblies - Silver Box
and Universal Voltage Silver Box**



SWITCH DATA CABLE ASSEMBLY



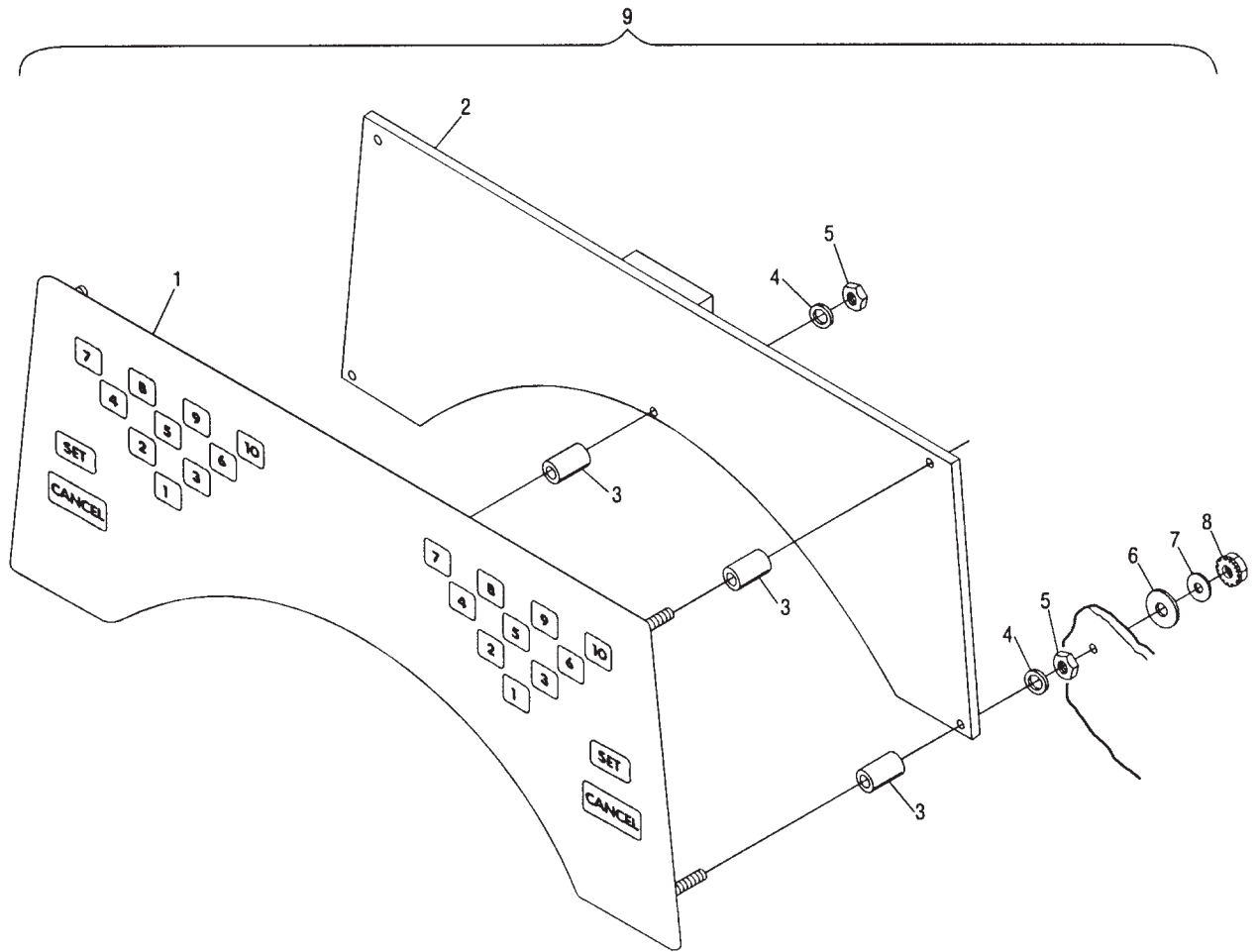
SOLENOID DATA CABLE ASSEMBLY

**Switch Data and Solenoid Data Cable Assemblies - Silver Box
and Universal Voltage Silver Box**

Index

No.	Part No.		Description
1.	47-862733-000		Butterfly Board Complete (Brunswick Rapid Exchange)
2.	47-862734-000	N.A.	Player Control PCB Pkg. (Brunswick Rapid Exchange)
3.	11-185276-000	N.A.	Round Spacer
4.	11-192011-000		Flat Washer
5.	11-125003-001		Hex Nut
6.	N.A.		Rubber Washer
7.	11-190004-001		Flat Washer
8.	11-176007-001		Keps Nut w/Lockwasher

N.A. = No Longer Available

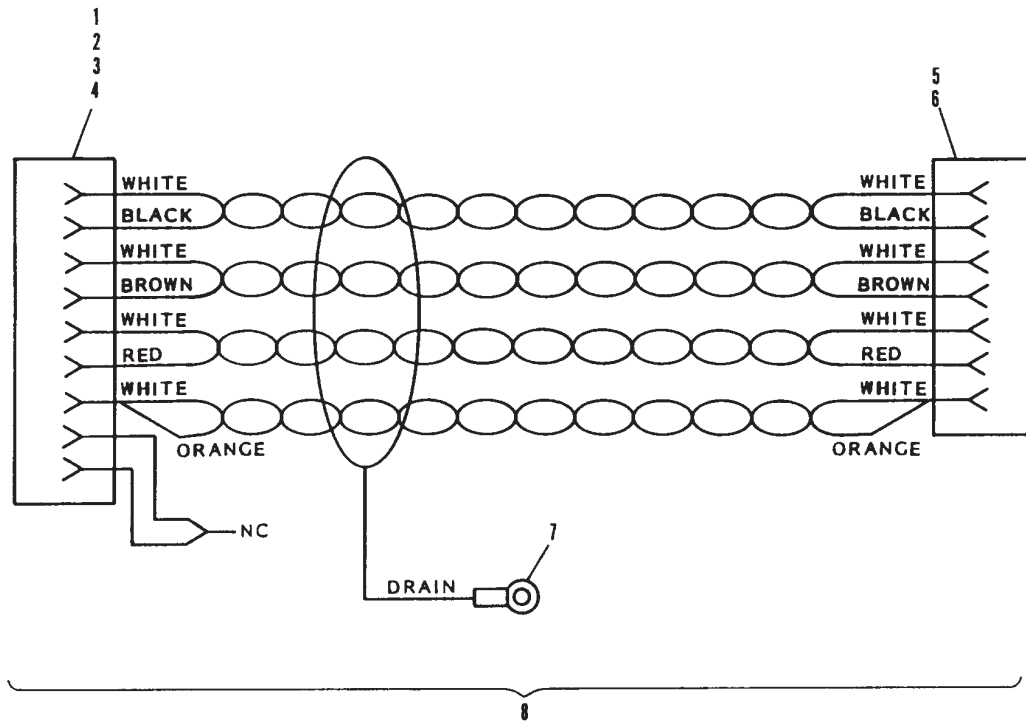


Player Control Station - Silver Box and Universal Voltage Silver Box

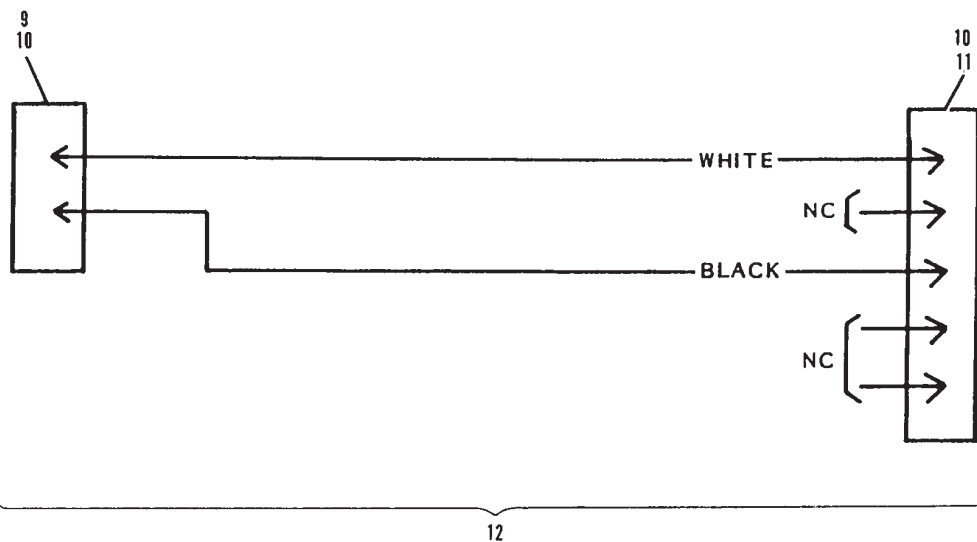
Index

No.	Part No.		Description
1.	11-680985-000	N.A.	Connector
2.	11-680996-000	N.A.	Metal Shield Cover
3.	11-680981-000		Pin
4.	11-680988-000	N.A.	Screw Retainer Kit
5.	11-680326-000		Terminal
6.	11-697611-000		Connector
7.	11-612006-000		Terminal
8.	68-100050-000	N.A.	Player Control Station Cable Assembly
9.	11-680116-000		Connector
10.	11-680302-000		Terminal
11.	11-680117-000		Connector
12.	68-100061-000	N.A.	Ball Lift Control Cable Assembly

**Player Control Station and Ball Lift
Control Cable Assemblies - Silver Box and Universal Voltage Silver Box**



PLAYER CONTROL STATION CABLE ASSEMBLY



BALL LIFT CONTROL CABLE ASSEMBLY

**Player Control Station and Ball Lift
Control Cable Assemblies - Silver Box and Universal Voltage Silver Box**

Index

No.	Part No.		Description
1.	**57-214920-000	N.A.	Reflector and Bracket Assembly
2.	99-080220-004	N.A.	Ball Detector Assembly
	99-080220-004	R.O.	Ball Detector Assembly
3.	**57-214901-000	N.A.	Bracket
4.	17-600771-000	N.A.	Reflector and Housing Assembly
5.	11-190004-001		Flat Washer (#8)
6.	11-195008-001		Lockwasher (#8)
7.	11-012308-001		Pan Hd. Machine Screw (#8-32 x 3/8")
8.	**17-600770-000	N.A.	Reflector Housing
9.	17-600773-000	N.A.	Plate
10.	53-600101-000		Reflector
11.	11-013007-001	N.A.	Sltd. Pan Hd. Machine Screw (#4-40 x 9/16")
12.	11-195004-001	N.A.	Lockwasher (#4)
13.	11-125000-001		Hex Nut (#4)
14.	11-082092-001	N.A.	Self Tapping Screw (#10 x 1/2")
15.	11-195010-001		Lockwasher (#10)
16.	11-190006-001		Flat Washer (#10)
17.	N.A.		Wood Screw (#10 x 3/4")
18.	57-214900-000		Mounting Bracket
19.	11-013060-001		Pan Hd. Machine Screw (#8-32 x 1/2")
20.	11-086307-001		Sltd. Flat Hd. Machine Screw (#4 x 1")
21.	57-214904-000		Photo Cell & Cable Assembly
22.	99-080186-003		Housing
23.	99-080180-004		Compression Spring
24.	11-680101-000		Connector
25.	11-680302-000		Terminal
26.	47-223102-004	N.A.	Reflector
	47-225846-004	R.O.	Reflector
27.	11-054780-000	N.A.	Slotted Pan Hd. Self Tapping Screw (4.2mm x 16mm)
28.	99-200212-004		Reflector Bracket
29.	99-200222-004		Reflector and Bracket Assembly
30.	47-225846-004		Reflector Tape
31.	*57-860507-000		Reflector and hardware Pkg. (includes index Nos. 1, 3 & 8)

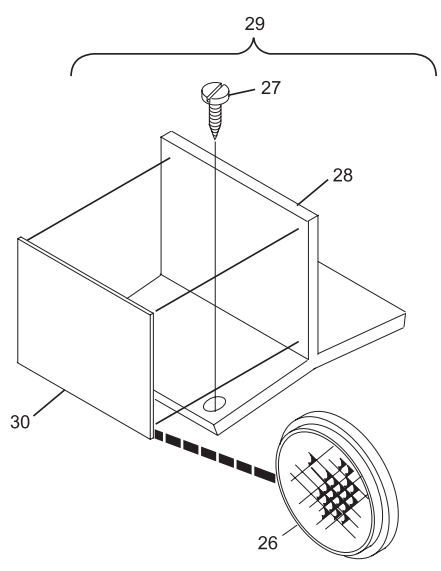
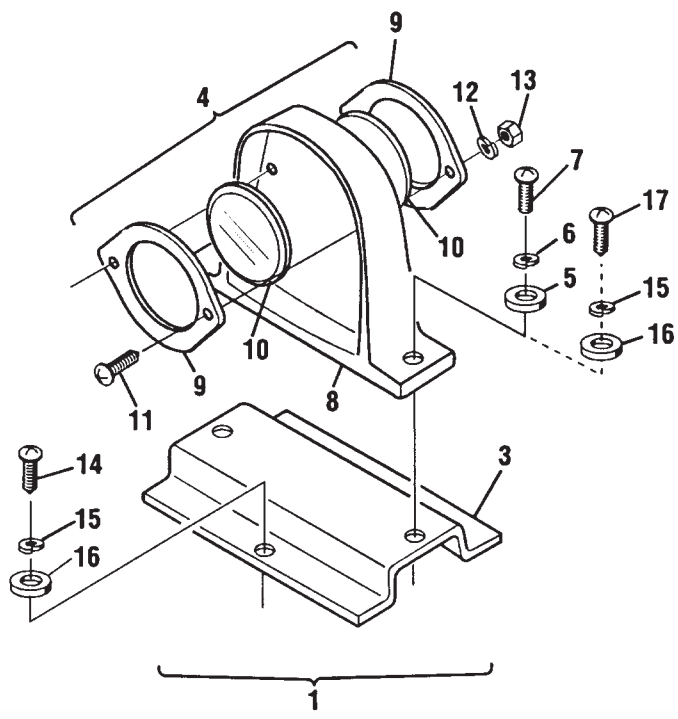
N.A. = No Longer Available

R.O. = Replacement Option

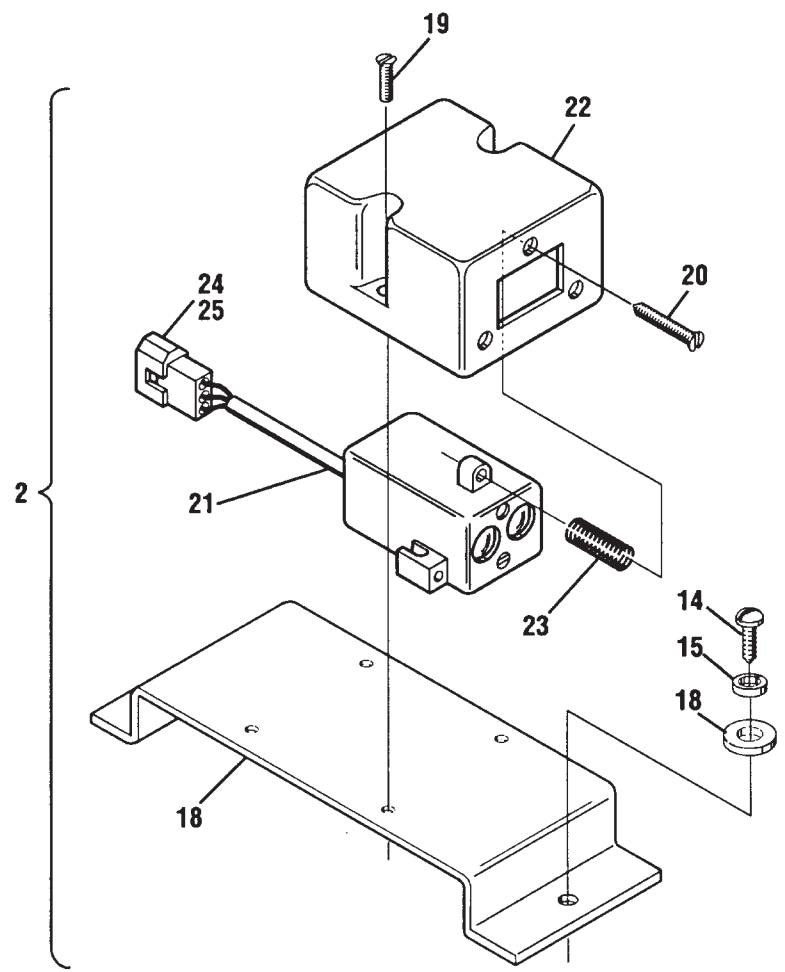
* = Not Illustrated

** Use replacement option 57-860507-000 Reflector and Hardware Pkg. (see index No. 31 for ordering)

Reflector and Ball Detector Assemblies - Silver Box and Universal Voltage Silver Box



FOR UNITS SO EQUIPPED



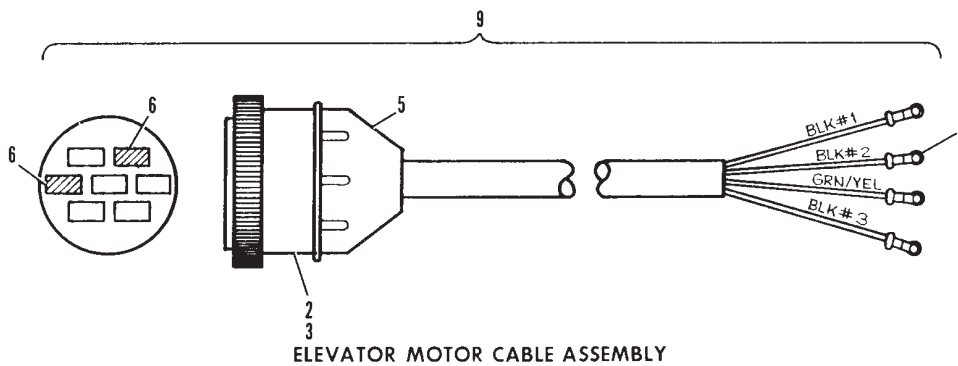
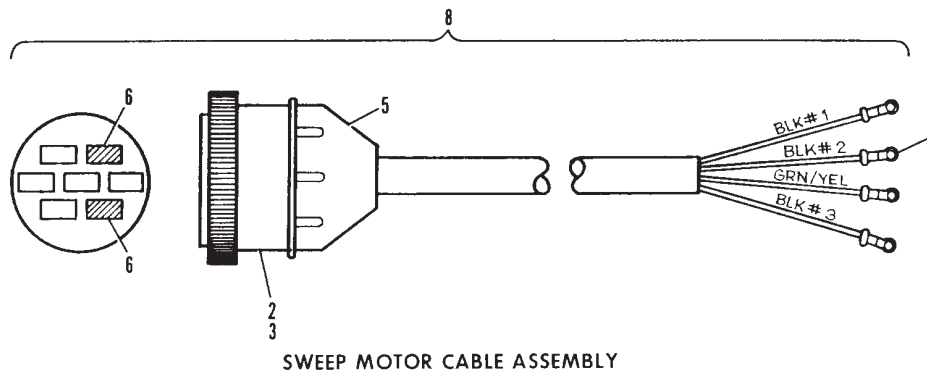
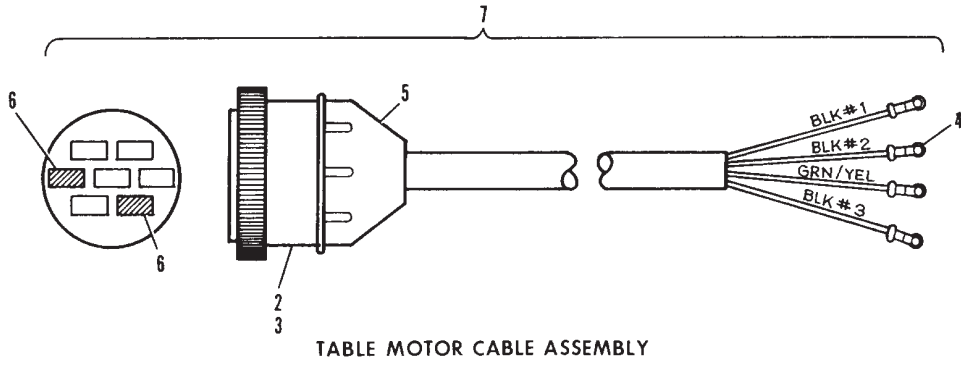
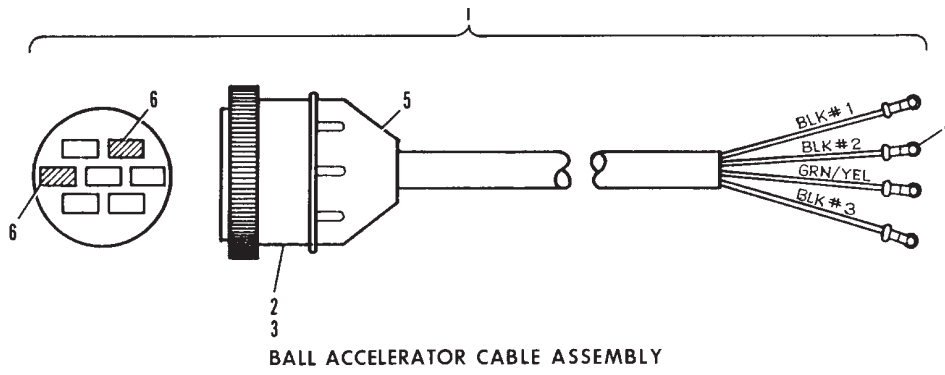
Reflector and Ball Detector Assemblies - Silver Box and Universal Voltage Silver Box

Index

No.	Part No.		Description
1.	68-100192-000	N.A.	Ball Accelerator Motor Cable Assembly
2.	11-615079-000	N.A.	Connector
3.	11-612577-000		Terminal
4.	11-612012-000	N.A.	Terminal
5.	11-615127-000		Cable Clamp
6.	11-614452-000	N.A.	Keying Plug
7.	68-100379-000		Table Motor Cable Assembly
8.	68-100380-000		Sweep Motor Cable Assembly
9.	68-100381-000		Elevator Motor Cable Assembly

N.A. = No Longer Available

**Ball Accelerator, Table, Sweep and Elevator Motor
Cable Assemblies - Universal Voltage Silver Box**



Ball Accelerator, Table, Sweep and Elevator Motor Cable Assemblies - Universal Voltage Silver Box

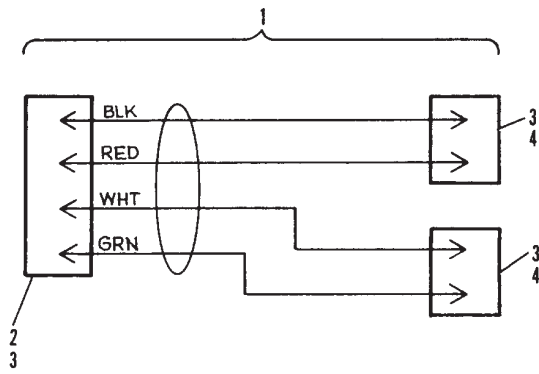
Index

No.	Part No.		Description
1.	N.A.		L.H. Ball Rack Reset Cable Assembly
2.	11-680105-000	N.A.	Connector
3.	11-680302-000		Terminal
4.	11-680116-000		Connector
5.	68-100199-000	N.A.	R.H. Ball Rack Reset Cable Assembly
6.	11-680301-000		Terminal
7.	*N.A.		L.H. High Voltage Box to Common Box
8.	11-680101-000		Connector Plug
9.	68-100383-000		R.H. High Voltage Box to Common Box
10.	68-100387-000		Power Adapter Cable Assembly
11.	11-615081-000	N.A.	Connector
12.	11-612576-000		Terminal
13.	11-615127-000		Cable Clamp
14.	11-680028-000	N.A.	Connector
15.	11-680027-000	N.A.	Connector

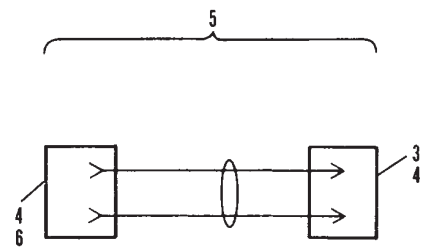
N.A. = No Longer Available

* Not Illustrated

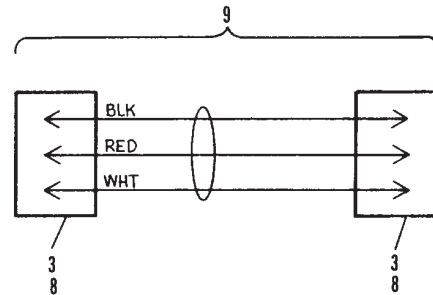
**Ball Rack Reset, High Voltage to Common Box
and Power Adapter Cable Assemblies - Universal Voltage Silver Box**



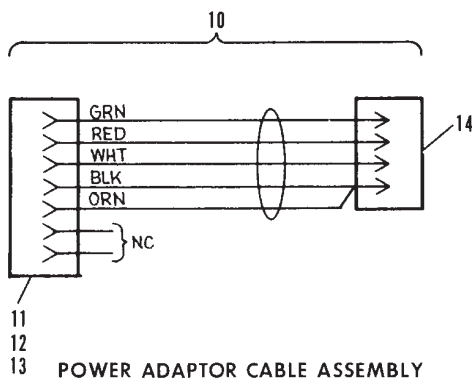
BALL RACK RESET CABLE ASSEMBLY
LEFT MACHINE



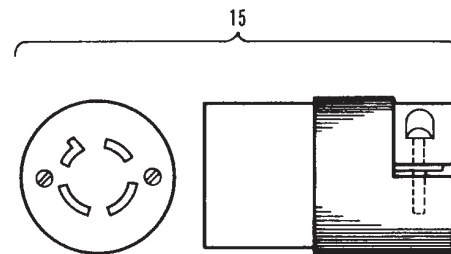
BALL RACK RESET CABLE ASSEMBLY
RIGHT MACHINE



HIGH VOLTAGE TO COMMON BOX CABLE ASSEMBLY
RIGHT-HAND AND LEFT-HAND MACHINES



POWER ADAPTOR CABLE ASSEMBLY



TWISTLOCK CONNECTOR BODY

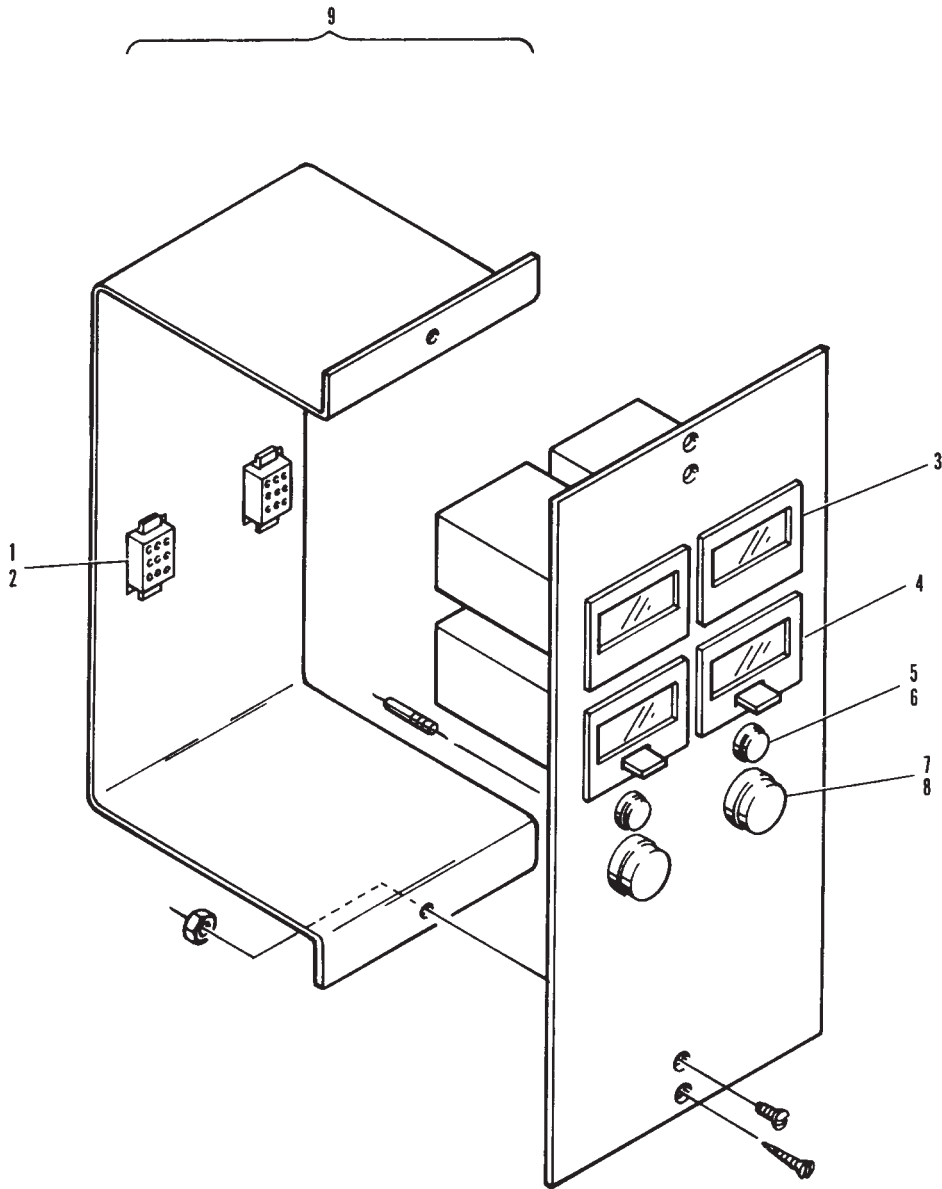
Ball Rack Reset, High Voltage to Common Box and Power Adaptor Cable Assemblies - Universal Voltage Silver Box

Index

No.	Part No.		Description
1.	11-680106-000	N.A.	Connector
2.	11-680302-000		Terminal
3.	47-223093-000		Counter (non-resettable)
4.	47-223094-000		Counter (resettable)
5.	47-223095-000		Failure Lamp Assembly
6.	47-223096-000		Failure Lamp Bulb
7.	47-223097-000		Push Button Assembly w/Lamp
8.	47-223098-000		On-Off Lamp
9.	N.A		Manager's Control Assembly Complete

N.A. = No Longer Available.

**Manager's Control Box -
Silver Box Electrical and Universal Voltage Silver Box**



**Manager's Control Box -
Silver Box Electrical and Universal Voltage Silver Box**

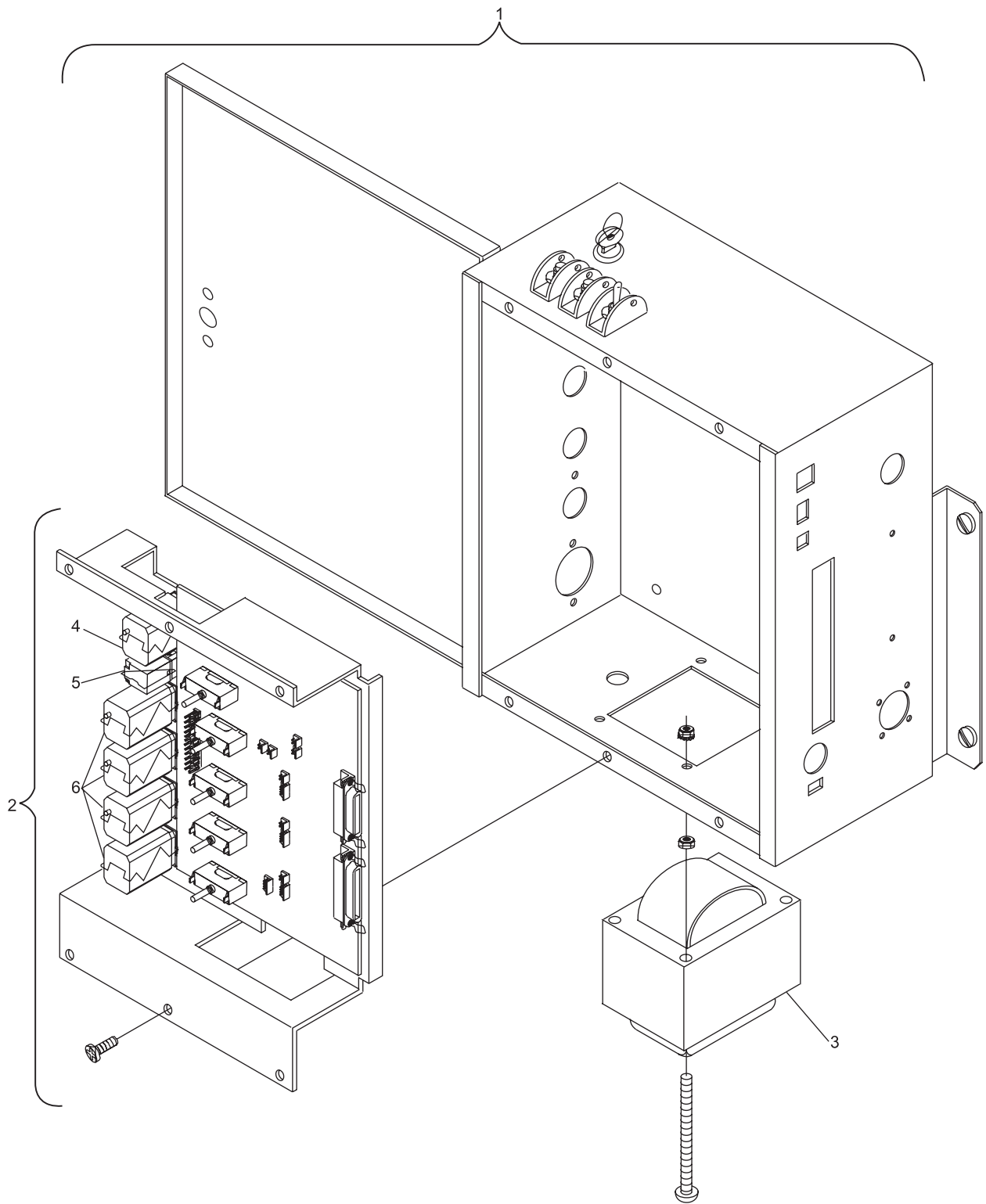
Index

No.	Part No.		Description
1.	N.A.		L.H. Side Function Solenoid & Switches Cable Assembly - Universal High Voltage Box Assembly
2.	N.A.		Chassis Assembly
3.	47-162856-000	N.A.	Transformer Assembly
4.	N.A.		Relay Only
5.	N.A.		Relay Only
6.	N.A.		Relay Only

N.A. = No Longer Available

N.A.

High Voltage Box - Silver Box



N.A.
High Voltage Box - Silver Box

Index

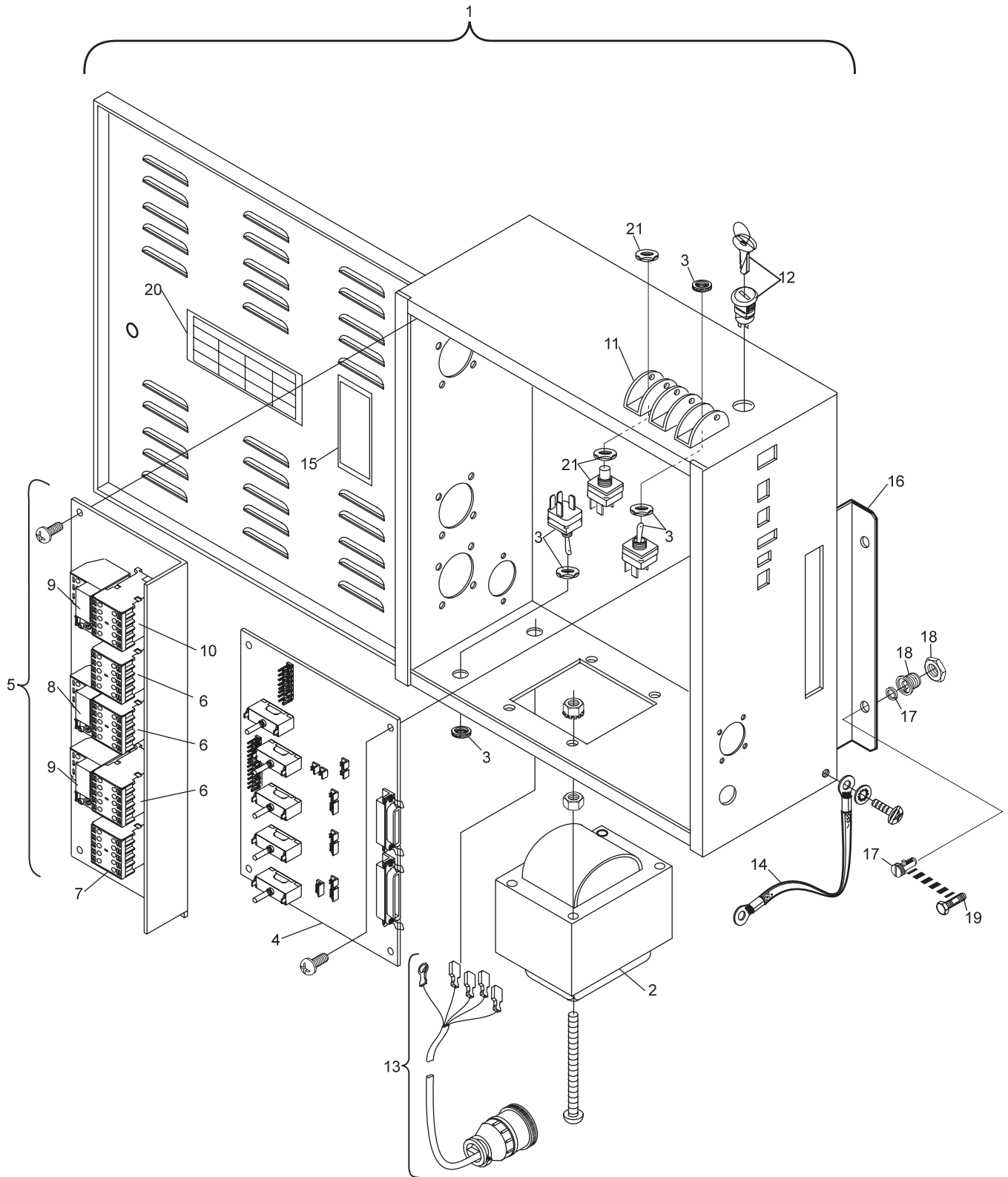
No.	Part No.		Description
1.	47-862712-000	N.A.	High Voltage Box Assembly
2.	47-162939-000		Transformer Assembly
3.	11-615515-000		Toggle Switch
4.	47-862502-000		PCB Assembly
5.	47-162942-000	N.A.	Power Panel Assembly
6.	11-671513-000		Contactors
7.	11-671514-000		Relay Contactors
8.	11-671531-000	N.A.	Relay
	11-671003-000	R.O.	Overload Relay
9.	11-671532-000	N.A.	Relay
10.	11-671521-000	N.A.	Relay Contactors
11.	12-502527-000	N.A.	Switch Guard
12.	47-162821-000	N.A.	Keyswitch Assembly
13.	47-162937-000	N.A.	Power Cord Assembly
14.	68-100273-000		Ground Cable Assembly
15.	N.A.		Label "Copyright"
16.	47-162514-000	N.A.	Mounting Bracket
17.	11-601800-000	N.A.	Quick Lock Stud w/Locking Ring
18.	11-601850-000	N.A.	Quick Lock Receptacle w/Locknut
19.	*N.A.		Hex Head Flange Bolt w/Nylon Patch
20.	47-162600-000	N.A.	Label "Overload Breaker Adjustment"
21.	11-615013-000		Momentary Switch

N.A. = No Longer Available

R.O. = Replacement Option

* Replaces index nos. #18 and #17.

High Voltage Box - Universal Voltage Silver Box



High Voltage Box - Universal Voltage Silver Box

Index

No.	Part No.		Description
1.	47-862711-401	N.A.	Gamesetter Box Assembly Complete w/Smart Shark
	47-862708-402	N.A.	Gamesetter Box Assembly
2.	*N./A.		Smart Shark CPU PCB Assembly (Brunswick Rapid Exchange)
	47-862782-402	N.A.	Silver Box CPU PCB Assembly (Brunswick Rapid Exchange)
3.	47-862801-000	N.A.	I/O PCB Assembly - Universal Voltage Silver Box
	47-862785-000		I/O PCB Assembly - Silver Box
4.	47-142833-000	N.A.	Keyswitch Assembly
	47-862503-000	R.O.	Key Switch Assembly
5.	47-142830-000	N.A.	Switch Assembly
6.	11-652052-000	N.A.	Rubber Washer (3/16)
7.	11-601800-000	N.A.	Quick Lock Stud w/Locking Ring
8.	47-142832-000	N.A.	Ribbon Cable Assembly
9.	11-679604-000	N.A.	Vibration Insulator
10.	12-502527-000	N.A.	Switch Guard
11.	N.A.		Label "Software Revision"
12.	11-601850-000	N.A.	Quick Lock Receptacle w/Locknut
13.	**N.A.		Hex Head Flange Bolt w/nylon Patch

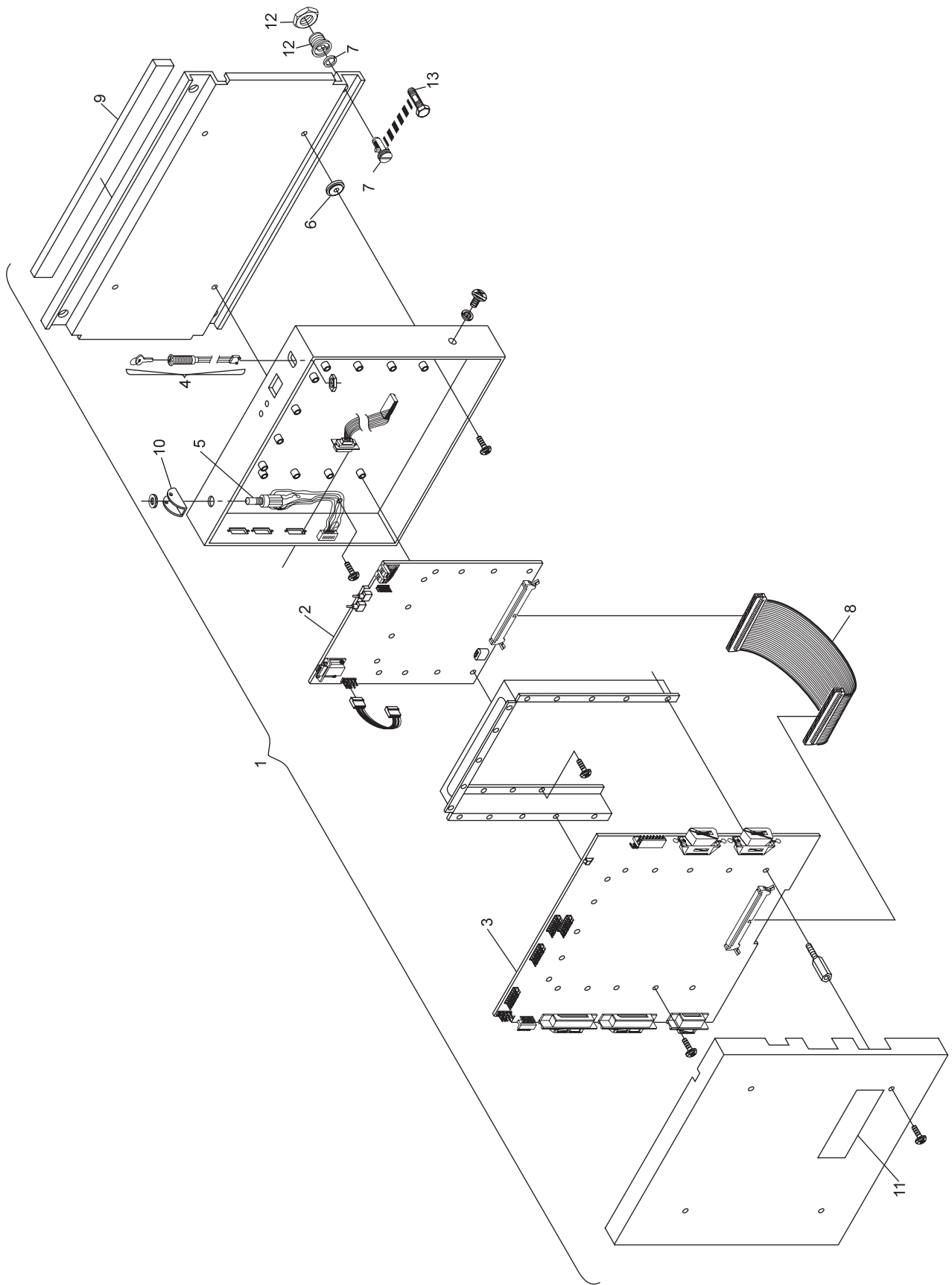
N.A. = No Longer Available

R.O. = Replacement Option

* Remove EPROM and Replace with Existing Software If Not Smart Shark.

** Replaces index nos. 7 and 12.

Gamesetter Box - Silver Box and Universal Voltage Silver Box

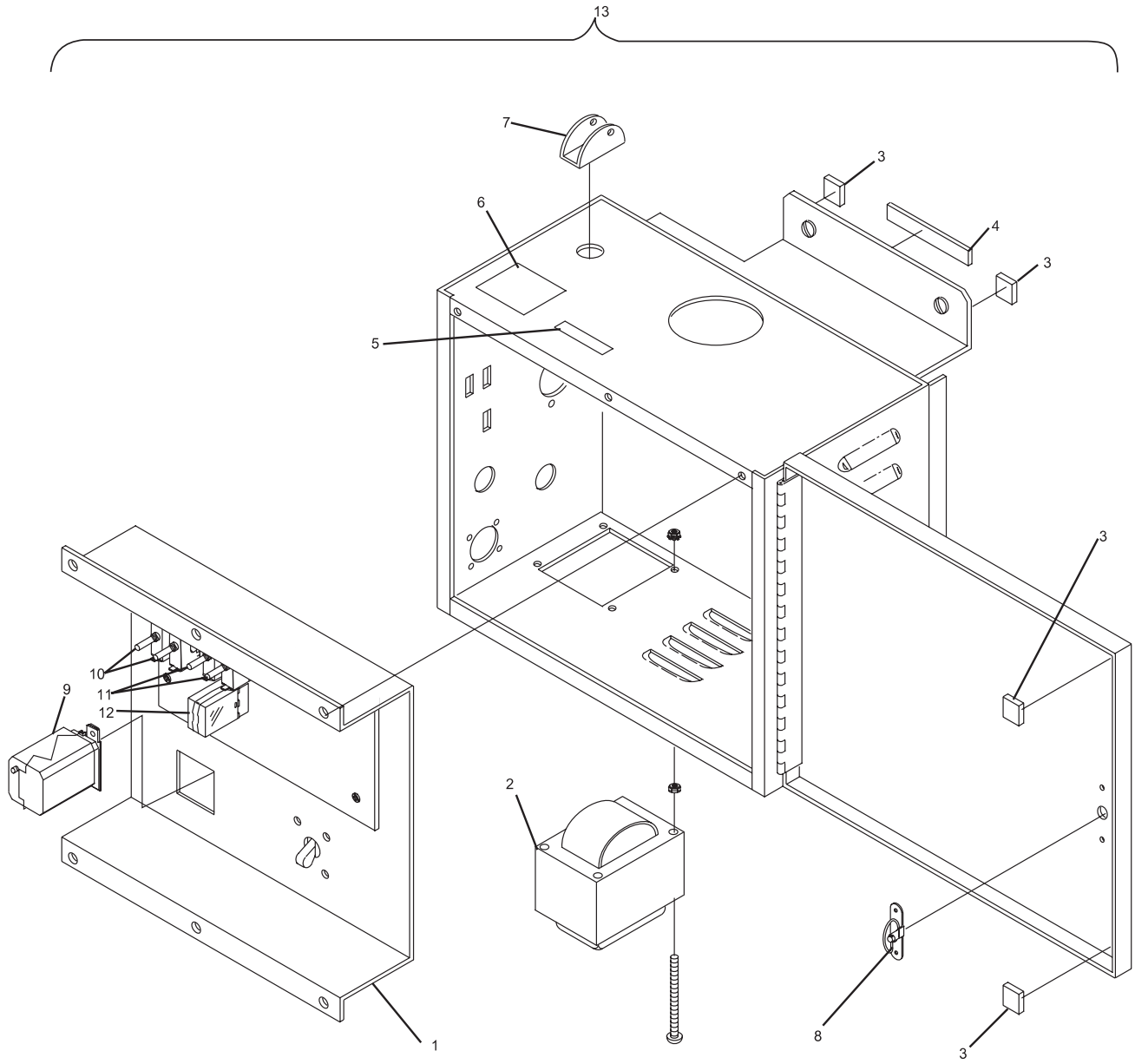


Gamesetter Box - Silver Box and Universal Voltage Silver Box

Index

No.	Part No.		Description
1.	N.A.		Chassis Assembly
2.	47-172844-000	N.A.	Transformer Assembly
3.	N.A.		Vibration Insulator
4.	11-679603-000	N.A.	Vibration Insulator
5.	10-900901-000	N.A.	Label "Patent Pending"
6.	47-172523-000	N.A.	Label "Serial Number"
7.	12-502527-000	N.A.	Switch Guard
8.	57-214276-007		Fastener
9.	11-696609-000		Push Button Relay (24V)
10.	11-696630-000	N.A.	Circuit Breaker
11.	11-696628-000		Circuit Breaker
12.	11-696610-000	N.A.	Relay
13.	47-862707-000	N.A.	Common Box Assembly (Brunswick Rapid Exchange)

N.A. = No Longer Available



Common Box - Silver Box

Index

No.	Part No.		Description
1.	11-671513-000		Contactator
2.	11-671532-000	N.A.	Relay
	11-671002-000	R.O.	Overload Relay
3.	47-862783-000		PCB Assembly
4.	47-172912-000		Transformer Assembly
5.	57-214276-007		Spring Latch
6.	11-615510-000	N.A.	Toggle Switch
7.	12-502527-000	N.A.	Switch Guard
8.	N.A.		Label "Model GS-10"
9.	N.A.		Label "U.L."
10.	N.A.		Label "Overload Breaker Adjustment"
11.	11-696610-000	N.A.	Relay
12.	11-696628-000		Circuit Breaker
13.	11-696630-000	N.A.	Circuit Breaker
14.	11-696626-000	N.A.	Circuit Breaker
15.	11-696678-000	N.A.	Relay Mounting Clip
16.	47-862745-000	N.A.	Common Box Assembly (Brunswick Rapid Exchange)

N.A. = No Longer Available

R.O. = Replacement Option

Intentionally Blank Page