

Section B

TRANSPORT BAND

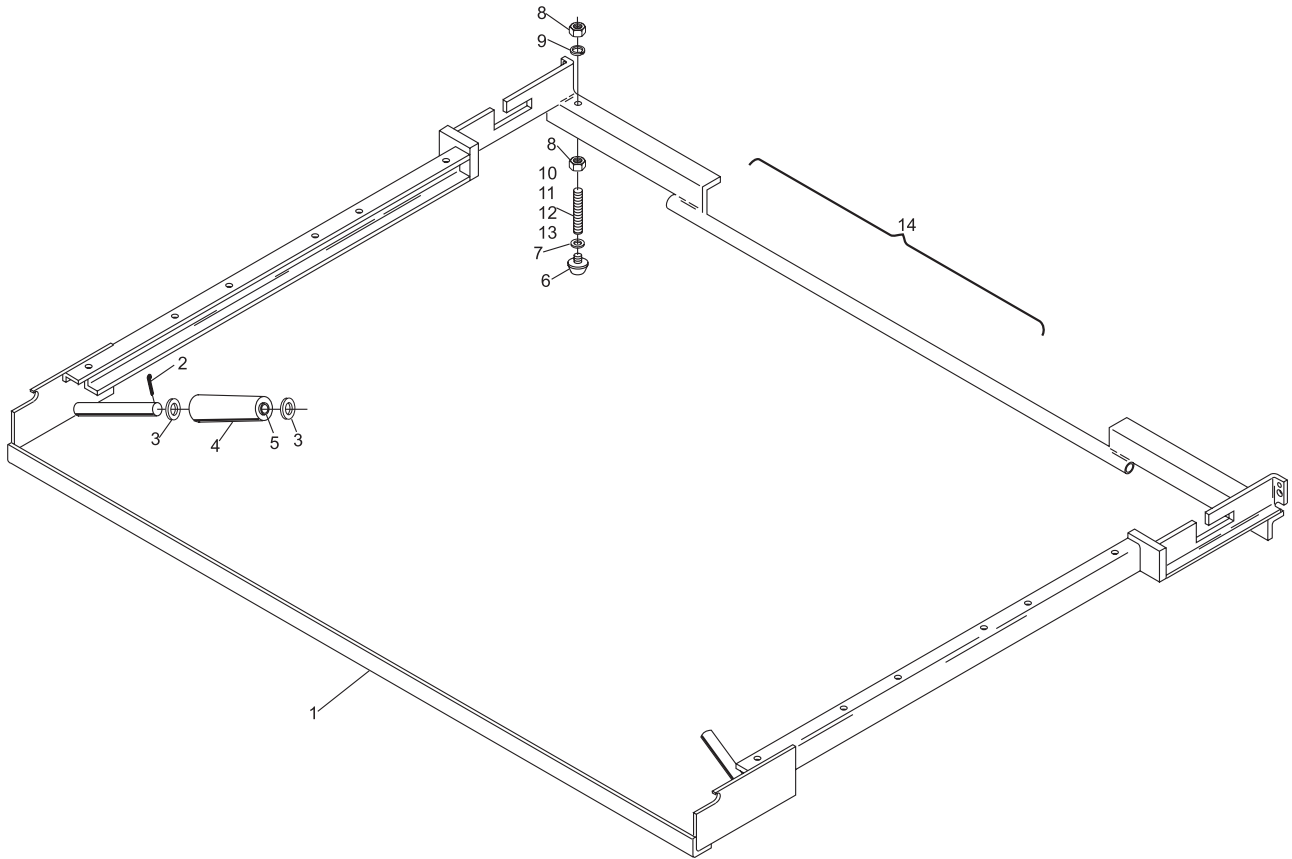
Index

No.	Part No.		Description
1.	47-021291-001	N.A.	Frame
2.	11-051786-001		Split Pin (2.5 mm x 25 mm)
3.	11-052036-001		Flat Washer (15 mm)
4.	47-020942-003		Roller
5.	47-020943-004		Roller Bushing
6.	11-053577-000		Rubber Bumper (16 mm Thread)
7.	11-052023-001	N.A.	Flat Washer (6.4 mm)
	11-052048-001	R.O.	Flat Washer (6.4 mm)
	11-052048-001		Flat Washer (6.4 mm)
8.	11-051705-001		Hex Nut (14 mm)
9.	11-051773-001		Lockwasher (14 mm)
10.	47-020896-004		Leg (70 mm)
11.	47-023671-004	N.A.	Leg (90 mm)
12.	47-023672-004	N.A.	Leg (140 mm)
13.	47-023673-004	N.A.	Leg (160 mm)
14.	N.A.		Transport Band Assembly w/Rollers and Carpet Complete

N.A. = No Longer

R.O. = Replacment Option Available

Transport Band Frame Assembly (Long Pit)



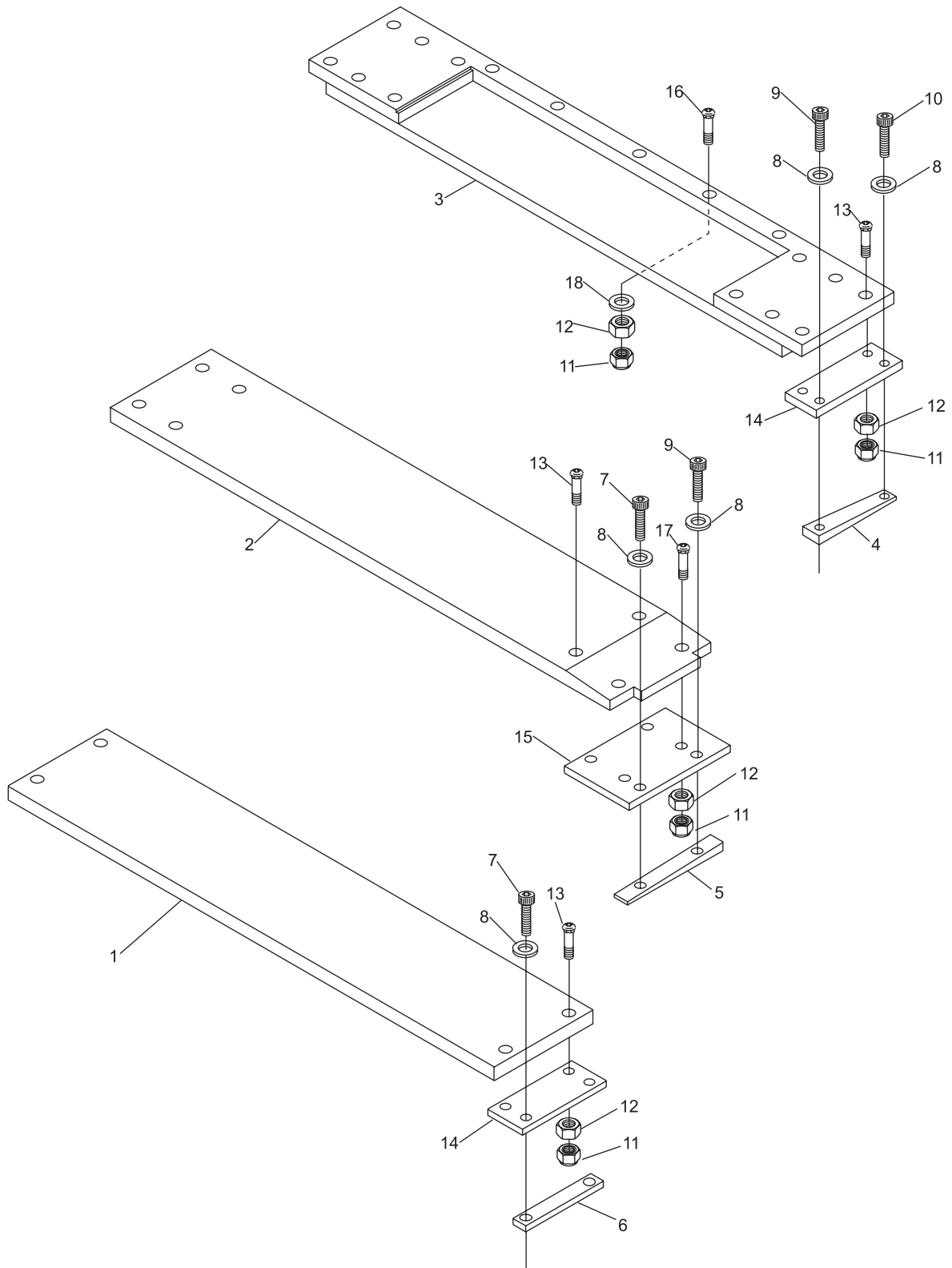
Transport Band Frame Assembly (Long Pit)

Index

No.	Part No.		Description
1.	47-862794-000		Front Board Complete
2.	47-862789-000	N.A.	Middle Board Complete
3.	47-862788-000		Rear Board Complete
4.	47-022038-004		Rear Spacer Wedge
5.	47-022037-004		Middle Spacer Wedge
6.	47-022036-004		Front Spacer Wedge
7.	11-051541-001		Socket Hd. Cap Screw (8 mm x 30 mm)
8.	11-051770-001		Lockwasher (8 mm)
9.	11-051525-001		Socket Hd. Cap Screw (8 mm x 45 mm)
10.	11-051516-001		Socket Hd. Cap Screw (8 mm x 35 mm)
11.	11-051744-001		Locknut (8 mm)
12.	11-051704-001		Hex Nut (8 mm)
13.	11-052611-001	N.A.	Carriage Bolt (8 mm x 40 mm)
14.	47-022105-003		Bracket (front)
15.	47-022106-003		Bracket (middle)
16.	N.A.		Carriage Bolt (8 mm x 70 mm)
17.	11-052601-001		Carriage Bolt (8 mm x 30 mm)
18.	11-052006-001		Flat Washer (8.4 mm)

N.A. = No Longer Available

Transport Band Boards (Long Pit)



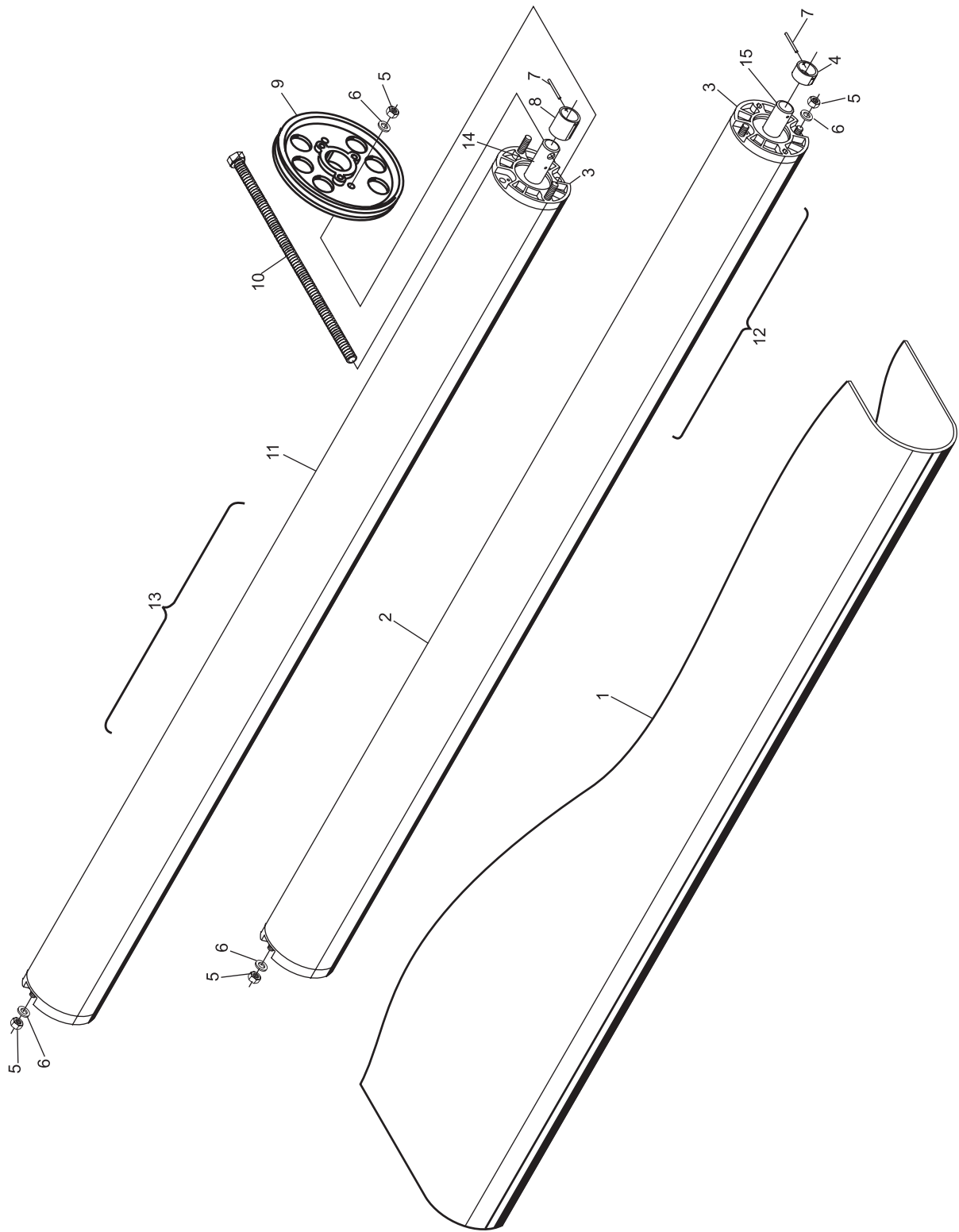
Transport Band Boards (Long Pit)

Index

No.	Part No.	Description
1.	11-053581-000	Transport Band Belt (2450 mm x 1440 mm)
2.	N.A.	Roller (front)
3.	47-020908-003	End Cap w/Bearings 2 Stud - Rear Roller only
	47-020908-444	N.A. End Cap w/Bearings 2 Stud - Front Roller only
4.	47-021351-004	Spacer Bushing
5.	11-051744-001	Locknut (8 mm)
6.	11-052017-001	Flat Washer (8.4 mm)
7.	11-052682-001	Rolled Pin (3 mm x 26 mm)
8.	47-021350-004	Spacer Bushing
9.	47-022412-003	Pulley
10.	47-020915-004	Screw
11.	N.A.	Roller (rear)
12.	47-021441-002	Roller Assembly Complete (front)
13.	47-023669-002	Roller Assembly Complete (rear)
14.	47-021352-004	Shaft (rear Roller)
15.	47-021353-004	Shaft (front Roller)

N.A. = No Longer Available

Transport Band Belt (Long Pit)



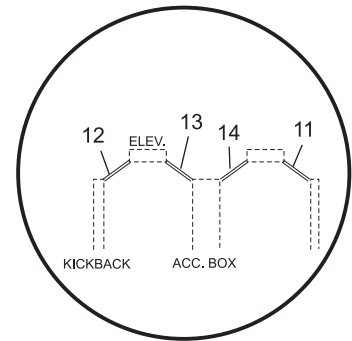
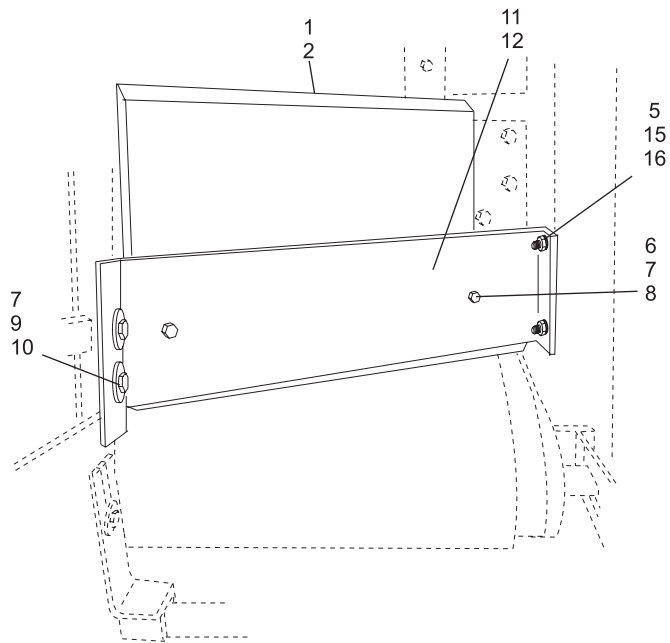
Transport Band Belt (Long Pit)

Index

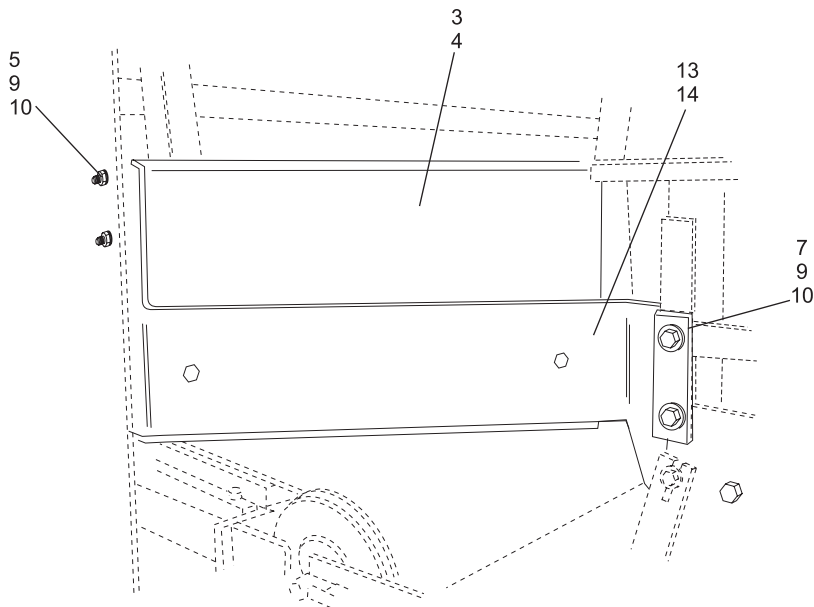
No.	Part No.		Description
1.	47-022291-004	N.A.	R.H. Deflector Board
2.	47-021273-004	N.A.	L.H. Deflector Board
3.	47-022055-003		R.H. Deflector Board
4.	47-022434-003		L.H. Deflector Board
5.	11-051744-001		Locknut (8 mm)
6.	11-052601-001		Carriage Bolt (8 mm x 30 mm)
7.	11-051770-001		Lockwasher (8 mm)
8.	11-051704-001		Hex Nut (8 mm)
9.	11-051010-001		Hex Hd. Cap Screw (8 mm x 20 mm)
10.	11-052019-001		Flat Washer (8.4 mm)
11.	47-021310-002		R.H. Deflector Plate
12.	47-021311-002		L.H. Deflector Plate
13.	47-022290-002		R.H. Deflector Plate
14.	47-022289-002		L.H. Deflector Plate
15.	11-051017-001		Hex Hd. Cap Screw (8 mm x 90 mm)
16.	11-052003-001		Flat Washer (8.4 mm)

N.A. = No Longer Available

Deflector Boards and Plates (Long Pit)



NOTE: THERE ARE 4 DIFFERENT DEFLECTOR PLATES. SEE ABOVE DRAWING FOR REQUIRED PLATES.



Deflector Boards and Plates (Long Pit)

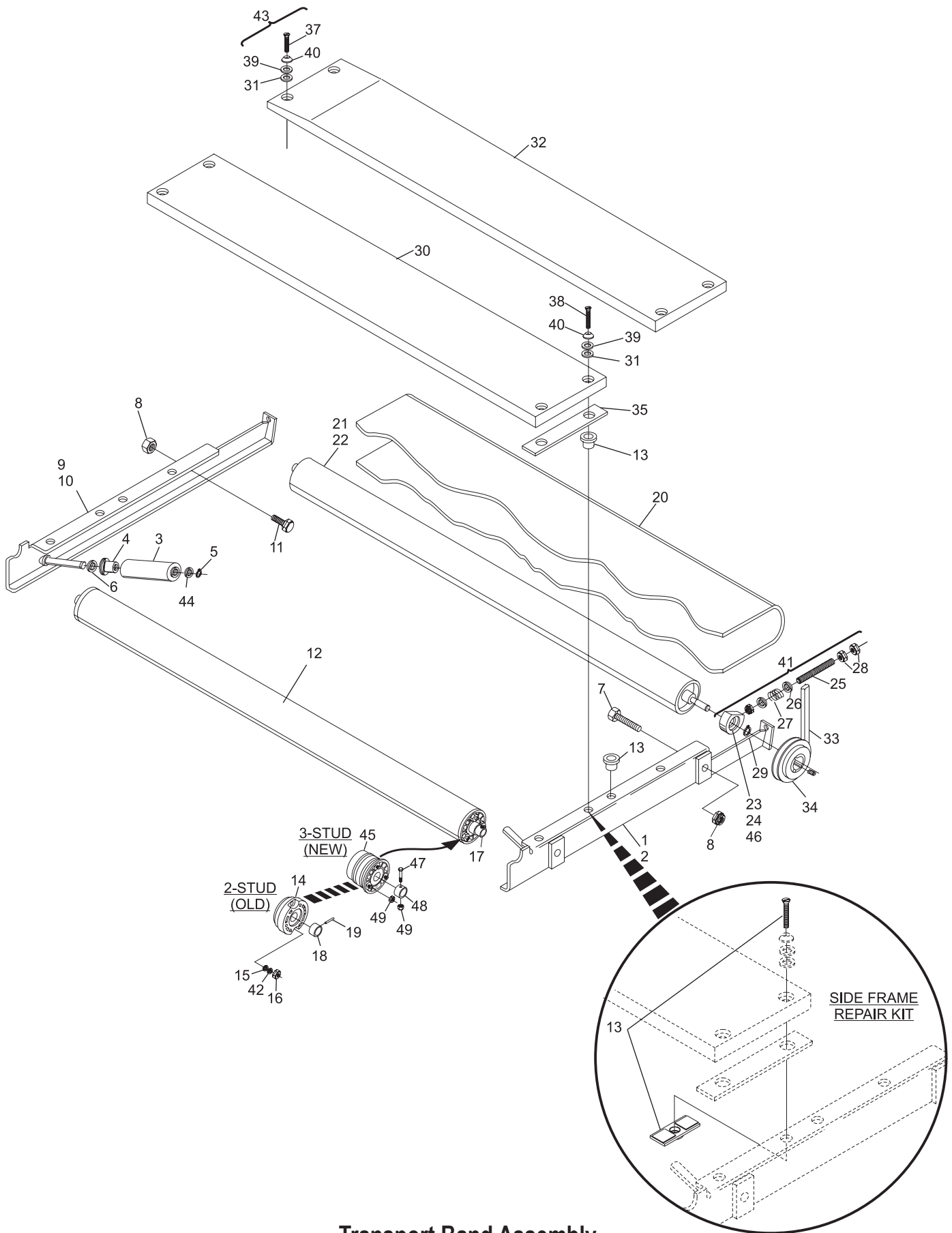
Index No.	Part No.	Description	Index No.	Part No.	Description
1.	47-024735-009	R.H. Transport Band Side Frame Complete	33.	11-053909-000	V Belt (10 mm x 6 mm x 2560 mm) - use with 110 mm pulley
2.	N.A.	R.H. Transport Band Side Frame Only		11-053910-000	V-Belt (10 mm x 6 mm x 2650 mm) use with 125 mm pulley
3.	47-020942-003	Roller			
4.	47-020943-004	Roller Bushing			
5.	11-051858-001	Retaining Ring (15 mm)	34.	47-024330-004	V-Belt Pulley (110 mm)
6.	11-052053-001	N.A. Flat Washer (17 mm)		47-025049-004	V-Belt Pulley (125 mm)
	47-861011-001	R.O. Flat Washer (17 mm) Pkg. of 10	35.	47-023915-004	Rubber Spacer
7.	11-051565-009	Socket Hd. Machine Screw (10 mm x 110 mm)	36.	11-051746-001	Locknut (3 mm)
	11-051569-009	R.O. Socket Hd. Machine Screw (M10 x 120 mm) Pkg. of 10	37.	11-052401-001	Slt'd. Pan Hd. Machine Screw (8 mm x 50 mm, GS-92)
8.	11-051745-001	Lock Nut (10 mm)		11-052929-000	Slt'd. Pan Hd. Machine Screw (10 mm x 50 mm, GS-96 and above)
9.	47-024736-009	L.H. Transport Band Side Frame Complete	38.	11-052402-001	N.A. Slt'd. Pan Hd. Machine Screw (8 mm x 60 mm, GS-92)
10.	N.A.	L.H. Transport Band Side Frame Only		47-861018-001	R.O. Slt'd. Pan Hd. Machine Screw (8 mm x 60 mm, GS-92) Pkg. of 10
11.	11-051045-001	Hex Hd. Machine Screw (10 mm x 30 mm)		11-052930-000	He Hd. Cap Screw (10 mm x 60 mm, GS-96 and above)
12.	47-023981-002	Roller Assembly Complete, (front) 3 Stud End Cap - Replaces 2 Stud End Cap Roller Assembly	39.	47-023663-004	Rubber Washer (3 mm x 24 mm x 8 mm, GS-92)
13.	11-135400-000	Rubber Well Nut (8 mm, machine series 43 to 76)		47-024739-004	Rubber Washer (3 mm x 28 mm x 10 mm, GS-96 and above)
	11-050326-001	N.A. Rivot Nut			
	47-276153-009	R.O. Side Frame Repair Kit (contains 1 Repair Nut and 1 screw 11-052830-000)	40.	11-052150-001	Finishing Washer (8 mm, GS-92)
14.	47-020908-003	End Cap w/Bearing (2 Stud Front rollers Only)		47-024740-004	Finishing Washer (5.3 mm x 28 mm x 10.2 mm, GS-96 and above)
15.	11-052003-001	Flat Washer (8.4 mm)	41.	*47-274332-002	Bearing Block Repair Kit
16.	11-051744-001	Locknut (8 mm)	42.	11-051770-001	Lock Washer (8 mm)
17.	47-023933-004	Shaft - Front	43.	47-274231-009	N.A. Board Screw Kit (8 mm)
18.	47-023982-004	Spacer Bushing		47-024744-009	Board Screw Kit (10 mm)
19.	11-052676-001	Roll Pin (3 mm x 30 mm)	44.	11-052064-001	N.A. Flat Washer (15 mm)
20.	11-635201-000	Transport Band Carpet (2020 mm x 1440 mm)	45.	47-025178-003	Bearing (3-stud)
	11-635201-100	Certified Transport Band Belt	46.	11-051902-001	Retaining Ring (52 mm)
21.	47-025051-001	L.H. Short Roller Assembly Complete (rear)	47.	11-051561-001	Hex Head Cap Screw (3 mm x 30 mm)
	47-024905-001	R.H. Short Roller Assembly Complete (rear)	48.	47-025157-004	N.A. Spacer Bushing
22.	N.A.	Roller Only (rear)			
23.	47-024094-003	Housing			
24.	11-430055-000	Deep Groove Ball Bearing			
25.	47-024093-004	Threaded Rod (10 mm x 140 mm)			
26.	11-052050-001	Flat Washer (10.5 mm)			
27.	47-024309-004	Spring			
28.	11-051703-001	Hex Nut (10 mm)			
29.	11-051853-001	Retaining Ring (20 mm)			
30.	47-023959-003	Front Board Assembly Complete			
31.	11-052019-001	Flat Washer (8.4, GS-92)			
	47-024741-004	Flat Washer (10.5 mm, GS-96 and above)			
32.	47-025175-003	L.H. Rear Board Assembly - Complete (odd lane)			
	47-025176-003	R.H. Rear Board Assembly - Complete (even lane)			

N.A. = No Longer Available
R.O. = Replacement Option

* Includes index nos. 23, 24, 25, 26, 27 & 28

NOTE: For faster transport band belt/pulley operation, order Kit part number 47-862842-000 contains 1 each: 47-025049-000 (125 mm Pulley), 11-053910-000 (125 mm V-Belt), 47-093863-003 (12/15 mm Pulley), and 47-024838-004 (Polycord Belt)

Transport Band Assembly Short Pit Machines Series 43 and Above



**Transport Band Assembly
Short Pit Machines Series 43 and Above**

Index

Index No.	Part No.	Description
1.	47-024006-003	Support Bracket
2.	11-051006-001	Hex Hd. Machine Screw (10 mm x 50 mm)
3.	11-052028-001	Flat Washer (10.5 mm)
4.	11-051046-001	Hex Hd. Machine Screw (10 mm x 80 mm)
5.	11-053153-001	Hex Jam Nut (10mm)
6.	47-023999-002	N.A. Lever (order Index No. 20)
7.	47-023998-004	Shaft
8.	11-430028-000	Bearing
9.	11-054450-000	Self-Tapping Screw (6 mm x 16 mm)
10.	47-013956-003	V-Belt Pulley for 2560 or 2650 mm V-Belt
11.	11-051852-001	Retaining Ring (17mm)
12.	47-093863-003	Round Belt Pulley for 12 or 15 mm Polycord
13.	47-093874-004	Pulley Clamp
14.	47-024037-004	Shaft
15.	11-053616-001	Stop Collar (15 mm)
16.	11-052801-001	Set Screw (6 mm x 6 mm)
17.	47-094326-004	Flange
18.	11-052027-001	Flat Washer (17 mm)
19.	11-052048-001	Flat Washer (6.4 mm)
20.	47-023977-001	Transport Band Belt Tensioner Assembly - Complete (left machine)
21.	*47-274660-009	Tensioner Shaft Retrofit Kit
22.	11-053501-000	Key (5 mm x 5 mm x 25 mm)
23.	47-024838-004	Polycord Belt (15 mm dia.)
	47-024838-005	Polycord Belt (15 mm dia. x 7 m)

N.A.=No Longer Available

* Includes Index Nos. 6, 7, 8, 9, 11, 17, 19 and 22.

NOTE: For faster transport band belt/pulley operation, order Kit part number 47-862842-000 contains 1 each: 47-025049-000 (125 mm Pulley), 11-053916-000 (125 mm V-Belt), 47-093863-003 (12/15 mm Pulley), and 47-024838-005 or 47-024838-004 (15 mm Polycord Belt)

Transport Band Belt Tensioner Assembly - Left Machine Short Pit Machines Series 43 and Above

Index

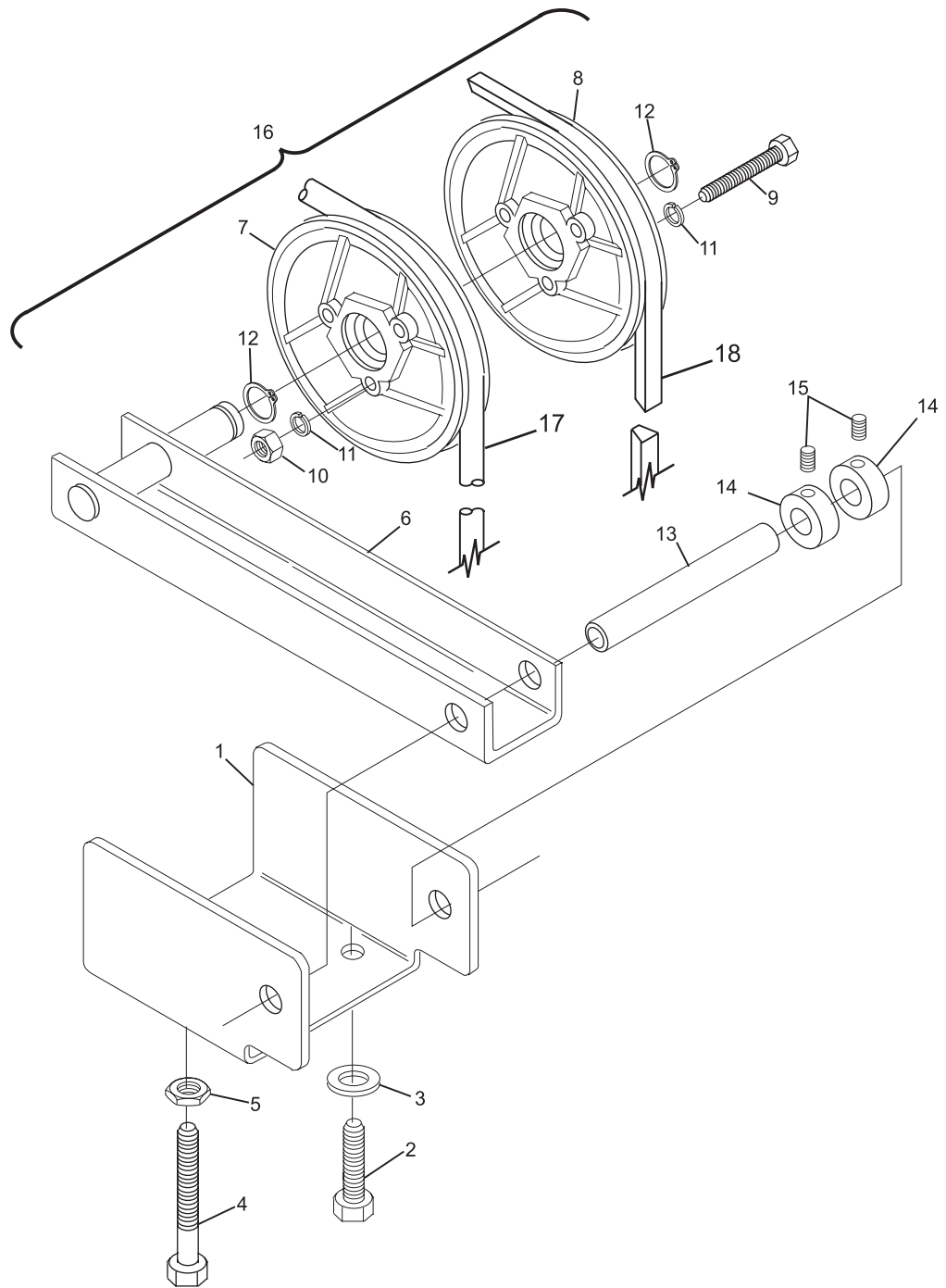
No.	Part No.	Description
1.	47-024006-003	Support Bracket
2.	11-051006-001	Hex Hd. Machine Screw (10 mm x 50 mm)
3.	11-052028-001	Flat Washer (10.5 mm)
4.	11-051046-001	Hex Hd. Machine Screw (10 mm x 80 mm)
5.	11-053153-001	Hex Nut (10 mm)
6.	47-024007-003	Pivot Arm
7.	47-092415-003	Round Belt Pulley for 12 mm or 15 mm polycord
8.	47-024004-003	V-Belt Pulley for 2560 mm or 2650 mm V-Belt
9.	11-051002-001	Hex Hd. Machine Screw (5 mm x 30 mm)
10.	11-051742-001	Locknut (5mm)
11.	11-052005-001	Flat Washer (5.3 mm)
12.	11-051852-001	Retaining Ring (17 mm)
13.	47-024037-004	Shaft
14.	11-053616-001	Stop Collar (15 mm)
15.	11-052801-001	Set Screw (6 mm x 6 mm)
16.	*47-023980-001	R.H Machine Transport Band Belt Tensioner Assembly Complete
17.	47-024838-004	N.A. Polycord Belt (15 mm)
	47-024838-005	R.O. Polycord Belt (15 mm x 7 mm)
18.	11-053909-000	V Belt (10 mm x 6 mm x 2560 mm) - use with 110 mm pulley
	11-053910-000	V-Belt (10 mm x 6 mm x 2650 mm) - use with 125 mm pulley

N.A. = No Longer Available

R.O. = Replacement Option

* Includes Index Nos. 7, 8, 9, 10, 11, and 12

**Transport Band Belt Tensioner Assembly - Right Machine
Short Pit Machines Series 43 and Above**



**Transport Band Belt Tensioner Assembly - Right Machine
 Short Pit Machines Series 43 and Above**

Intentionally Blank Page