



Service Parts Catalog

Virtual Bowling

September 2008 / 71-900103-000

Brunswick 
CUSTOMER SERVICE
A tradition in excellence.

Virtual Bowling Service Parts Catalog

© September, 2008 by the Brunswick Bowling and Billiards Corporation. All rights reserved.

Virtual Bowling is a registered trademark of the Brunswick Bowling and Billiards Corporation.

Reorder Part No. 71-900103-000

Notice: If available, updates to this manual can be found on-line at www.brunswickbowling.com.

Confidential proprietary information. All information contained in this document is subject to change without notice.

Brunswick Bowling & Billiards Corporation
525 West Laketon Avenue
P.O. Box 329
Muskegon, MI 49443-0329
U.S.A.

231.725.3300

Service Parts

Service parts can be purchased from Brunswick Direct Line Sales (1-800-937-2695 in the U.S. or 1-231-725-4966) or from an authorized Brunswick distributor. A listing of Authorized Brunswick part distributors can be found on-line at www.brunswickbowling.com. Order each component by its part number.

Computers have a three year manufacturer's warranty. Contact Dell for warranty support (1-800-822-8965 or www.dellsupport.com.) For replacement computers, contact a Brunswick sales person or authorized distributor.

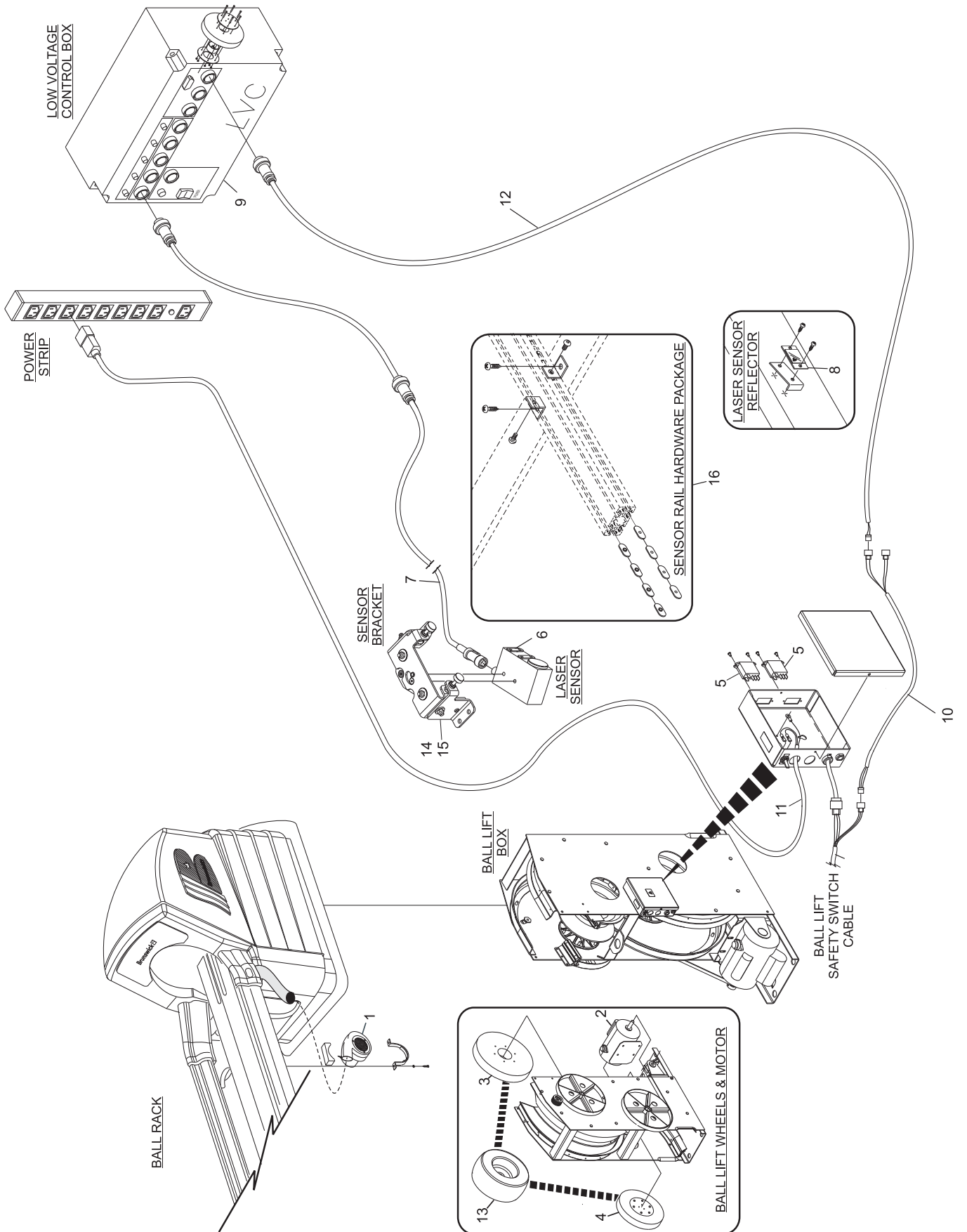
WARRANTY OF SERVICE PARTS

- Warranty coverage starts with date of delivery.
- The warranty coverage period is 90 days on materials unless otherwise noted.
- Repair or replacement parts are at the option of Brunswick.

Contents

Ball Return, Power Lift & Electrical	6
Electrical & Audio	8
Lane	10
Projector	12
Kiosk	14

Index No.	Part No.	Description
1.	53-861059-230	Hand Fan - Ball Rack
2.	53-860328-000	Ball Lift Motor
3.	90-520060-600	Small Ball Wheel - Upper
4.	71-100022-000	Small Ball Wheel - Lower
5.	11-672526-000	Ball Lift Relay Switch - DC
6.	71-860098-000	Laser Sensor
7.	71-860099-000	Laser Sensor Cable
8.	71-860100-000	Laser Sensor Reflector
9.	71-100185-000	LVC - Low Voltage Controller
10.	71-100141-000	"Y" Cable - Ball Lift
11.	71-100146-000	Power Cable - Ball Lift
12.	71-100142-000	Control Cable - Ball Lift Lane Relay
13.	53-520060-000	Large Ball Wheel - Upper/Lower
14.	71-100069-000	Sensor Bracket - Left Angled
15.	71-100070-000	Sensor Bracket - Right Angled
16.	71-860017-000	Package - Sensor Rail Hardware

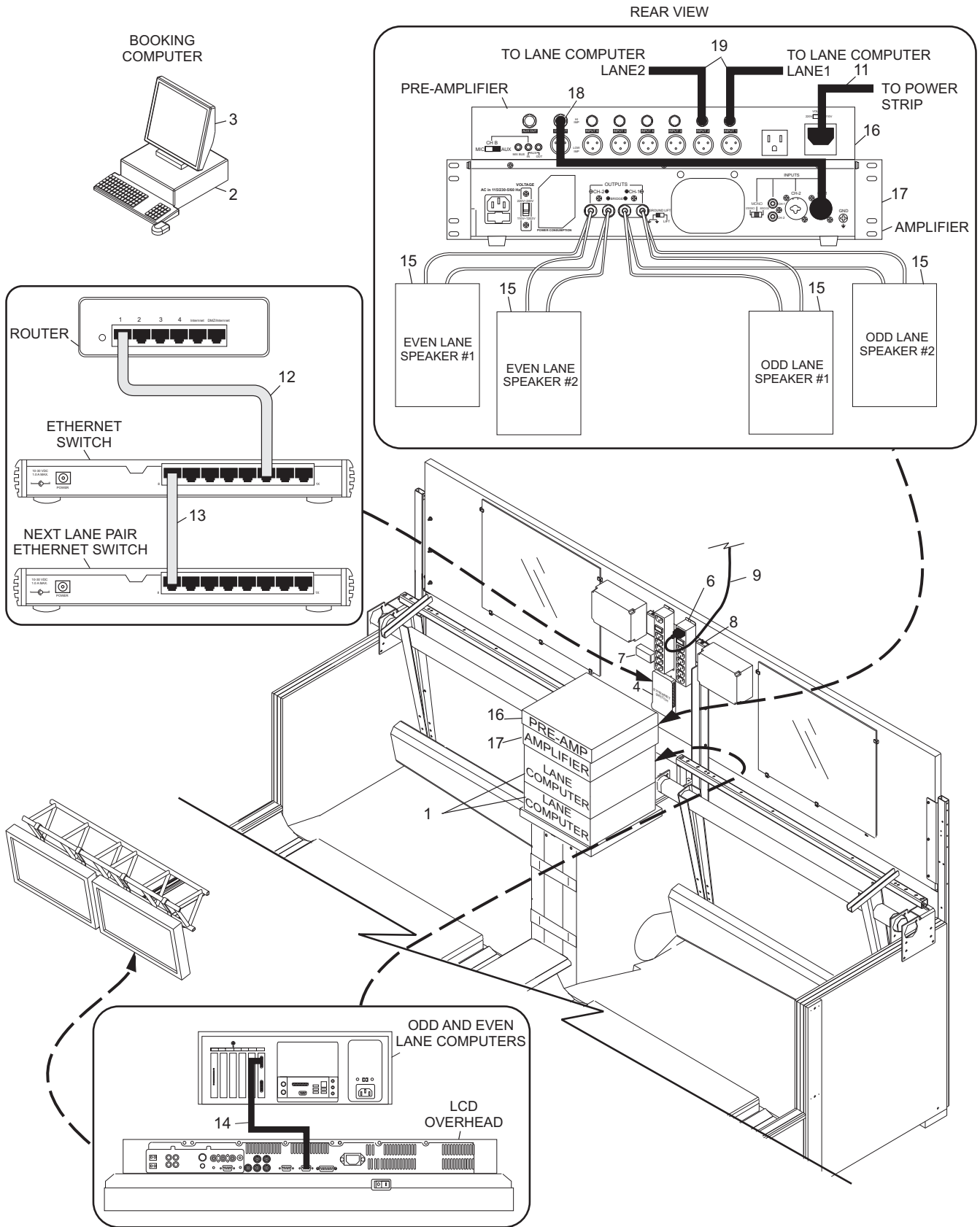


Ball Return, Power Lift & Electrical

Index

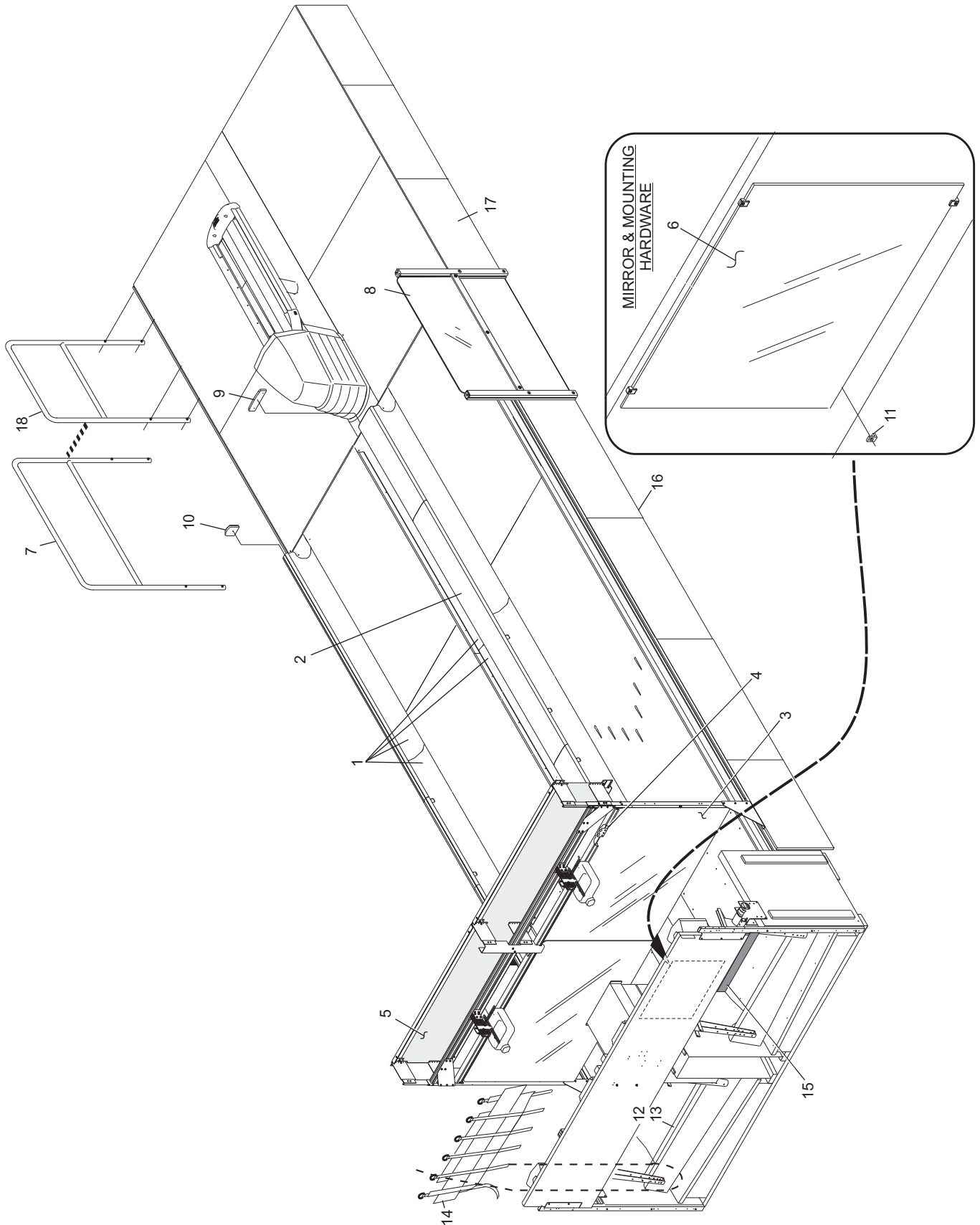
No.	Part No.	Description
1.	71-860128-400	Lane Computer
2.	71-860133-400	Booking Computer
3.	57-864039-000	Monitor - Booking Computer
4.	57-863288-000	Ethernet Switch
5.	*71-860044-000	Lightworx Kit
6.	71-860079-000	Power Strip
7.	71-860054-000	Power Supply - Ethernet Switch
8.	71-100186-000	Power Supply - Low Voltage Controller
9.	71-100147-000	Power Cord - Virtual Bowling
10.	*53-860326-230	Package - Transformer Kit
11.	57-500527-000	Power Cable - Pre Amplifier
12.	57-863178-175	Ethernet Cable - Router to Switch
13.	71-100148-010	Ethernet Patch Cord (10')
14.	71-100151-000	Video Cable (50')
15.	71-860040-000	Speaker - 150 Watts RMS/350 Watts Power
16.	71-860075-000	Pre-Amplifier
17.	71-860051-000	Amplifier
18.	71-100219-000	Amplifier and Pre-Amp Audio Cable
19.	71-100153-000	Pre-Amp to Computer Audio Cable

* *Not Illustrated*



Electrical & Audio

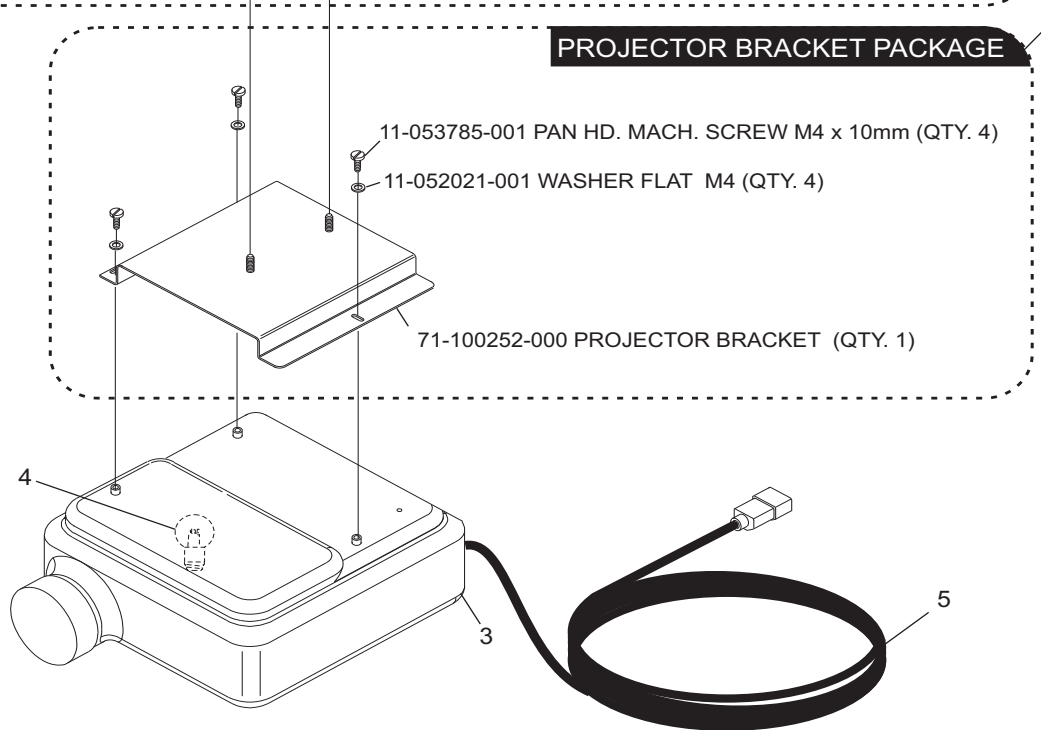
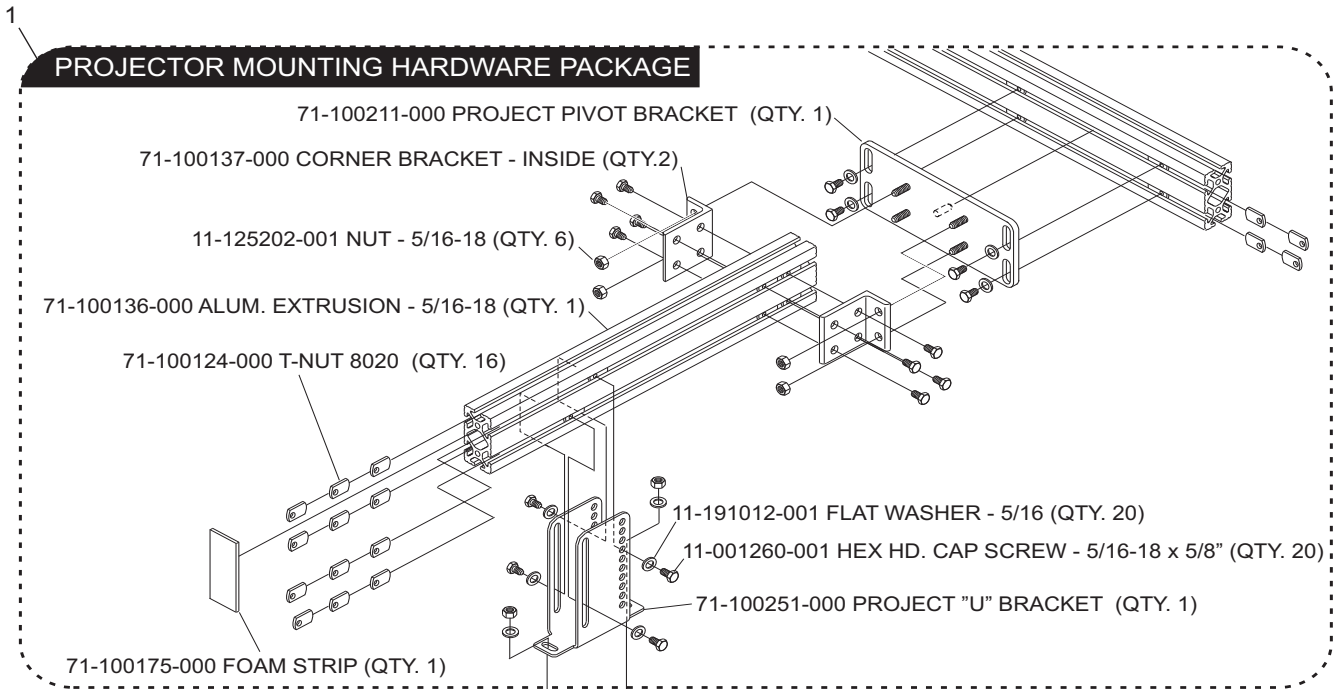
Index No.	Part No.	Description
1.	71-860021-100	Gutter - Set (1 Lane Pair)
2.	71-860020-000	Ball Return Capping
3.	71-860026-000	Screen
4.	71-100084-000	Roller Clamp (Screen)
5.	71-860105-000	Banner (1-Piece)
6.	71-860097-000	Mirror
7.	71-860071-000	Safety Rail (5') with Hardware
8.	71-860093-000	Plexi Glass Panel
9.	71-100068-000	Ball Return End Cap
10.	71-100067-000	Division End Cap
11.	71-860101-000	Mirror Brackets (Plastic)
12.	71-860063-000	Pit Cushion - Foam (Small Ball)
13.	71-860015-000	Pit Cushion - Foam (Large Ball)
14.	71-860073-000	Pit Cushion - Cover
15.	71-100169-004	Curtain
16.	71-100053-000	Skirting Panel - Lane
17.	71-100177-000	Skirting Panel - Approach
18.	71-860070-000	Safety Rail (3')



Lane

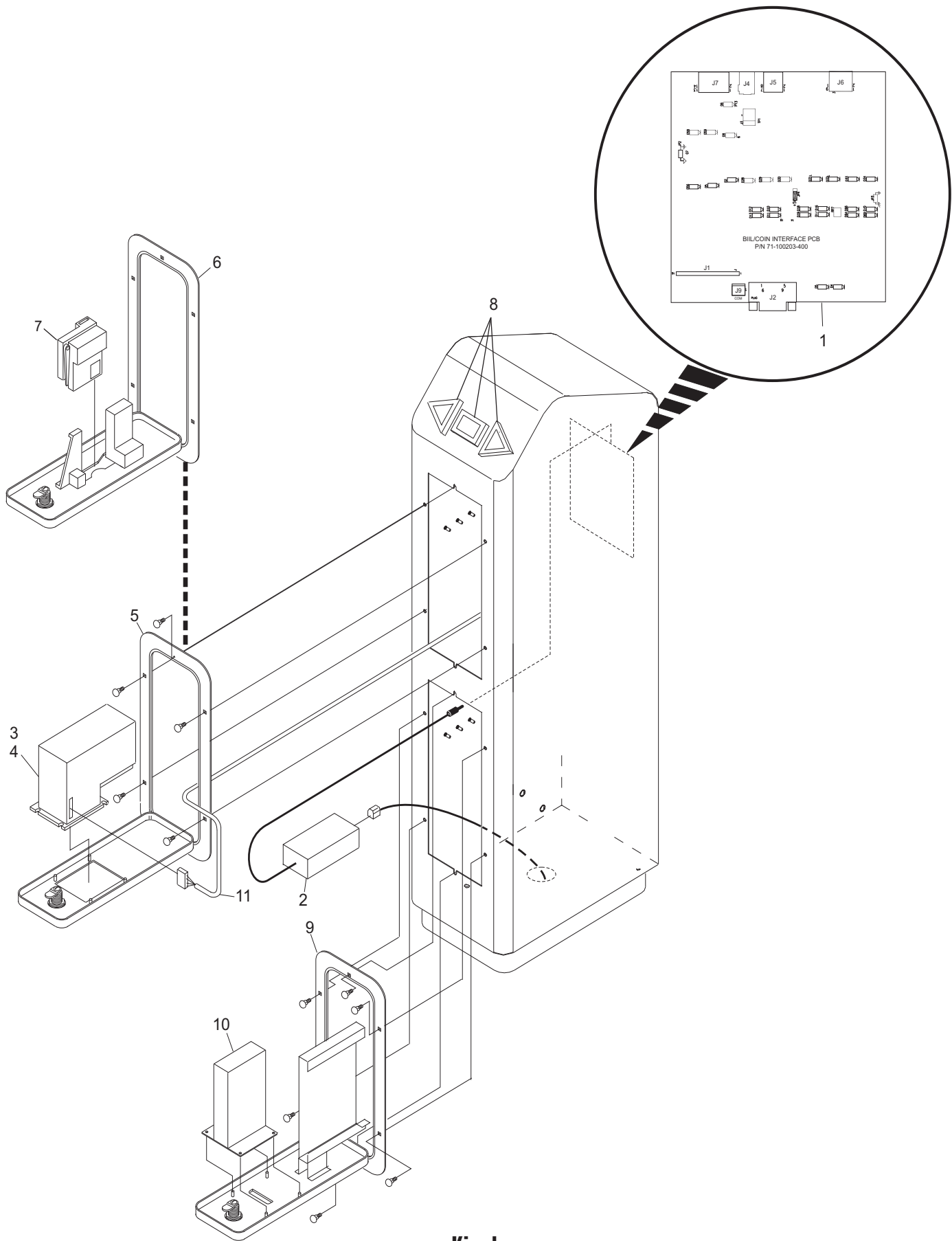
Index No.	Part No.	Description
1.	71-860104-000	Projector Mounting Hardware - Package
2.	71-860103-000	Projector Bracket - Package
3.	71-860081-000	Projector (TDP-T100U)
4.	71-860082-000	Projector Bulb (TDP-T100)
5.	71-100149-000	Power Cord - Lane Projector

Projector



Projector

Index No.	Part No.	Description
1.	71-100203-400	Assembly - Bill/Coin Interface PCB
2.	71-860106-000	Power Supply
3.	71-860113-000	Bill Acceptor - Euro
4.	71-860112-000	Bill Acceptor - US Dollar
5.	71-860107-000	Bill Acceptor Door Assembly
6.	71-860110-000	Coin Acceptor Door Assembly
7.	71-860111-000	Electronic Coin Acceptor
8.	71-860114-000	Button Set - (1 Green Triangle, 2 Yellow Triangles)
9.	71-860109-000	Ticket Dispenser and Bin Door Assembly
10.	71-860108-000	Ticket Dispenser
11.	71-100235-000	Bill/Coin Interface PCB Wire Harness



Kiosk